



US00D744100S

(12) **United States Design Patent**
Chang et al.

(10) **Patent No.:** **US D744,100 S**

(45) **Date of Patent:** **** *Nov. 24, 2015**

(54) **HANDLE FOR LAPAROSCOPIC DEVICE**

(75) Inventors: **Shu Kuen Chang**, Evanston, IL (US);
Stephan Merkle, Chicago, IL (US);
Subrat K. Samantray, Khandagiri (IN);
Grant T. Sims, Littleton, CO (US); **Sean T. O'Neill**, Campbell, CA (US); **Ryan C. Artale**, Boulder, CO (US); **Tony Moua**, Broomfield, CO (US); **Robert M. Sharp**, Boulder, CO (US); **Roland J. Wyatt**, Bozeman, MT (US)

(73) Assignee: **Covidien LP**, Mansfield, MA (US)

(*) Notice: This patent is subject to a terminal disclaimer.

(**) Term: **14 Years**

(21) Appl. No.: **29/415,254**

(22) Filed: **Mar. 8, 2012**

(51) **LOC (10) Cl.** **24-02**

(52) **U.S. Cl.**
USPC **D24/146**

(58) **Field of Classification Search**
USPC D7/649; D8/14.1, 29.1, 92, 93, 95, 97,
D8/98, 99; D19/110, 115; D24/130, 133,
D24/146, 147, 150, 151; 30/151, 162, 338,
30/339; 606/4, 5, 6, 41, 44, 45, 46, 49,
606/166
CPC A61F 9/00763; A61F 9/00754; A61B
10/0275; A61B 10/04
See application file for complete search history.

(56) **References Cited**

U.S. PATENT DOCUMENTS

5,282,800 A 2/1994 Foshee et al.
D348,930 S 7/1994 Olson
5,330,471 A 7/1994 Eggers
D354,564 S 1/1995 Medema
5,456,684 A 10/1995 Schmidt et al.

5,569,243 A 10/1996 Kortenbach et al.
5,637,110 A 6/1997 Pennybacker et al.
5,674,220 A 10/1997 Fox et al.
5,688,270 A 11/1997 Yates et al.
D416,089 S 11/1999 Barton et al.
6,096,037 A 8/2000 Mulier et al.
6,228,083 B1 5/2001 Lands et al.
D454,951 S 3/2002 Bon
D457,958 S 5/2002 Dycus et al.
6,419,675 B1 7/2002 Gallo, Sr.
6,458,130 B1 10/2002 Frazier et al.
6,464,701 B1 10/2002 Hooven et al.
D466,209 S 11/2002 Bon
6,585,735 B1 7/2003 Frazier et al.
6,682,528 B2 1/2004 Frazier et al.

(Continued)

Primary Examiner — Robert M Spear
Assistant Examiner — Marissa J Cash

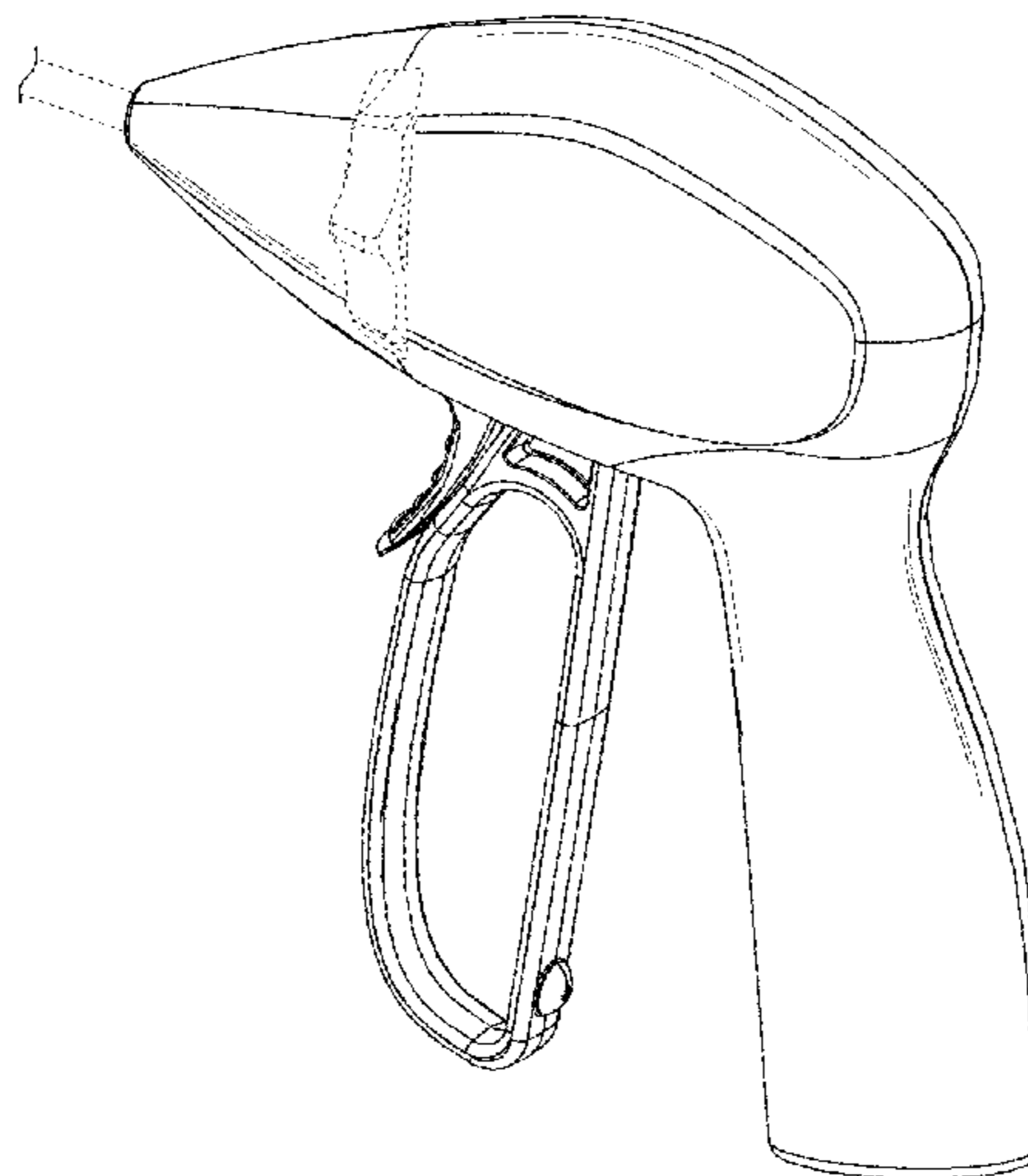
(57) **CLAIM**

The ornamental design for a handle for laparoscopic device, as shown and described.

DESCRIPTION

FIG. 1 is a perspective view of a handle for laparoscopic device in accordance with the present design;
FIG. 2 is a rear view of the handle for laparoscopic device of FIG. 1;
FIG. 3 is a front view of the handle for laparoscopic device of FIG. 1;
FIG. 4 is a top view of the handle for laparoscopic device of FIG. 1;
FIG. 5 is a bottom view of the handle for laparoscopic device of FIG. 1;
FIG. 6 is a left side view of the handle for laparoscopic device of FIG. 1; and,
FIG. 7 is a right side view of the handle for laparoscopic device of FIG. 1.
In FIGS. 1-7, the features of the handle for laparoscopic device shown in phantom lines depict environmental subject matter only and form no part of the claimed design.

1 Claim, 7 Drawing Sheets



(56)

References Cited

U.S. PATENT DOCUMENTS

D496,997 S	10/2004	Dycus et al.	D628,290 S	11/2010	Romero
D499,181 S	11/2004	Dycus et al.	7,857,812 B2	12/2010	Dycus et al.
D502,994 S	3/2005	Blake, III	8,287,536 B2	10/2012	Mueller et al.
D509,297 S	9/2005	Wells	8,647,341 B2	2/2014	Dycus et al.
6,960,210 B2	11/2005	Lands et al.	8,888,775 B2 *	11/2014	Nau et al. 606/49
D531,311 S	10/2006	Guerra et al.	2005/0113826 A1 *	5/2005	Johnson et al. 606/45
7,156,846 B2	1/2007	Dycus et al.	2009/0105750 A1	4/2009	Price et al.
D541,418 S	4/2007	Schechter et al.	2010/0094289 A1	4/2010	Taylor et al.
7,207,990 B2	4/2007	Lands et al.	2011/0036183 A1 *	2/2011	Artale et al. 73/862.621
7,232,440 B2	6/2007	Dumbauld et al.	2011/0077648 A1 *	3/2011	Lee et al. 606/51
D547,154 S	7/2007	Lee	2012/0210240 A1	8/2012	Neystadt et al.
7,384,420 B2	6/2008	Dycus et al.	2012/0271346 A1 *	10/2012	Townsend et al. 606/205
D575,401 S	8/2008	Hixson et al.	2013/0085491 A1 *	4/2013	Twomey et al. 606/41
7,553,311 B2	6/2009	Anders et al.	2013/0190753 A1 *	7/2013	Garrison et al. 606/41
7,597,693 B2	10/2009	Garrison	2013/0232753 A1 *	9/2013	Ackey et al. 29/407.05
D620,593 S *	7/2010	Tran et al. D24/144	2013/0304059 A1	11/2013	Allen, IV et al.
D621,503 S	8/2010	Otten et al.	2014/0005666 A1 *	1/2014	Moua et al. 606/45
			2014/0025071 A1 *	1/2014	Sims et al. 606/46
			2014/0025073 A1 *	1/2014	Twomey et al. 606/51
			2014/0107685 A1 *	4/2014	O'Niell et al. 606/170

* cited by examiner

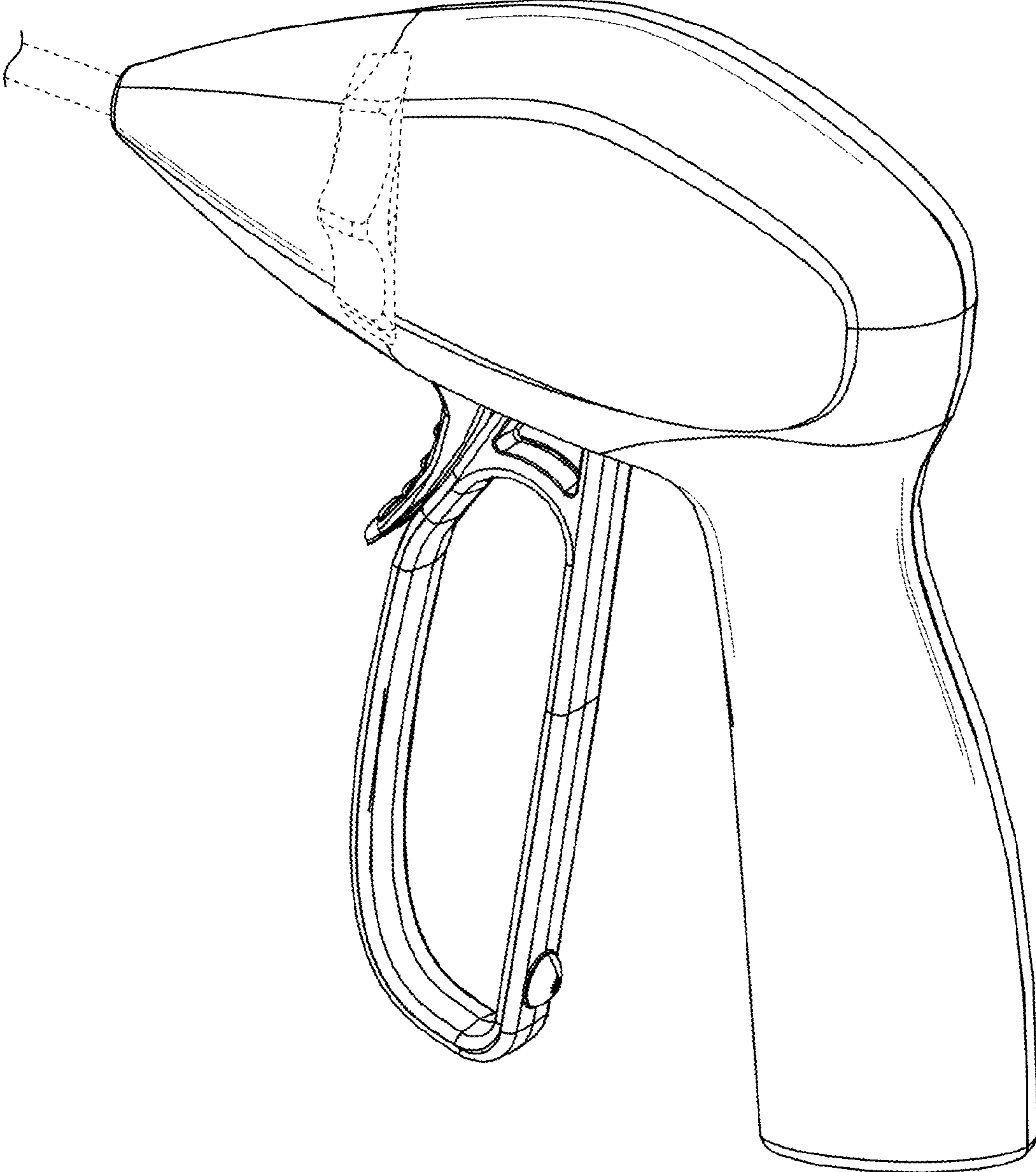


Fig. 1

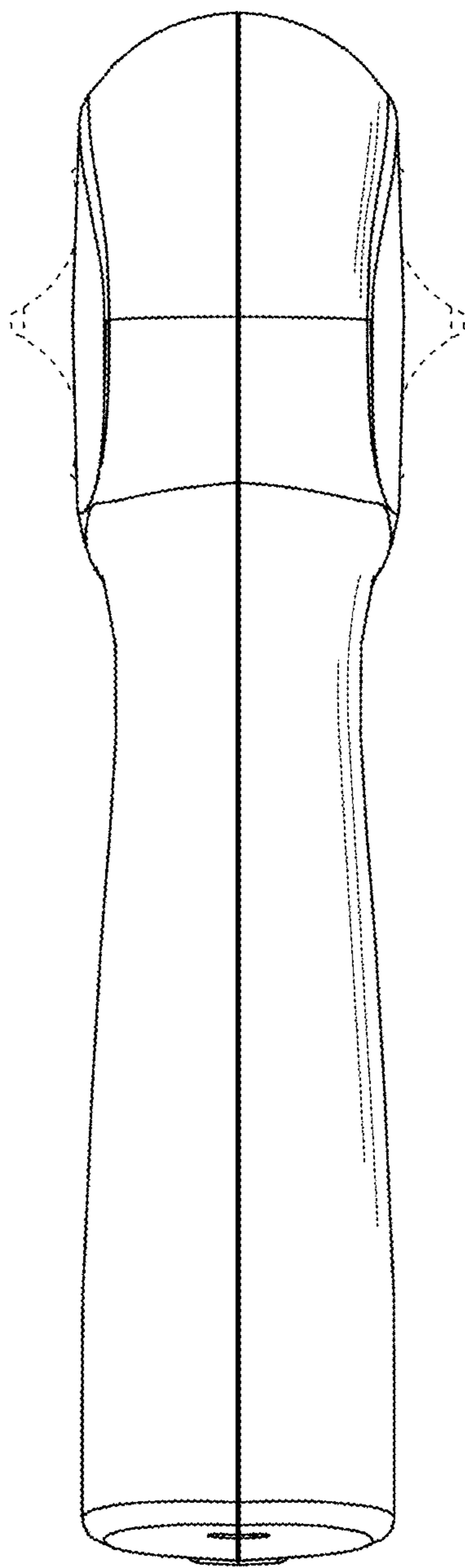


Fig. 2

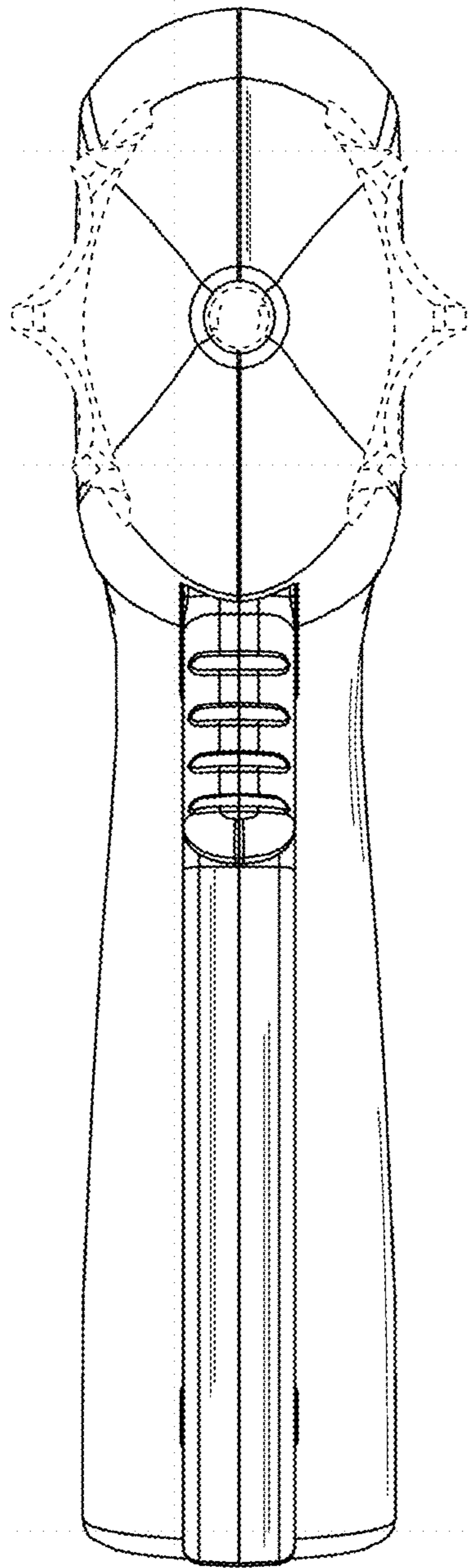


Fig. 3

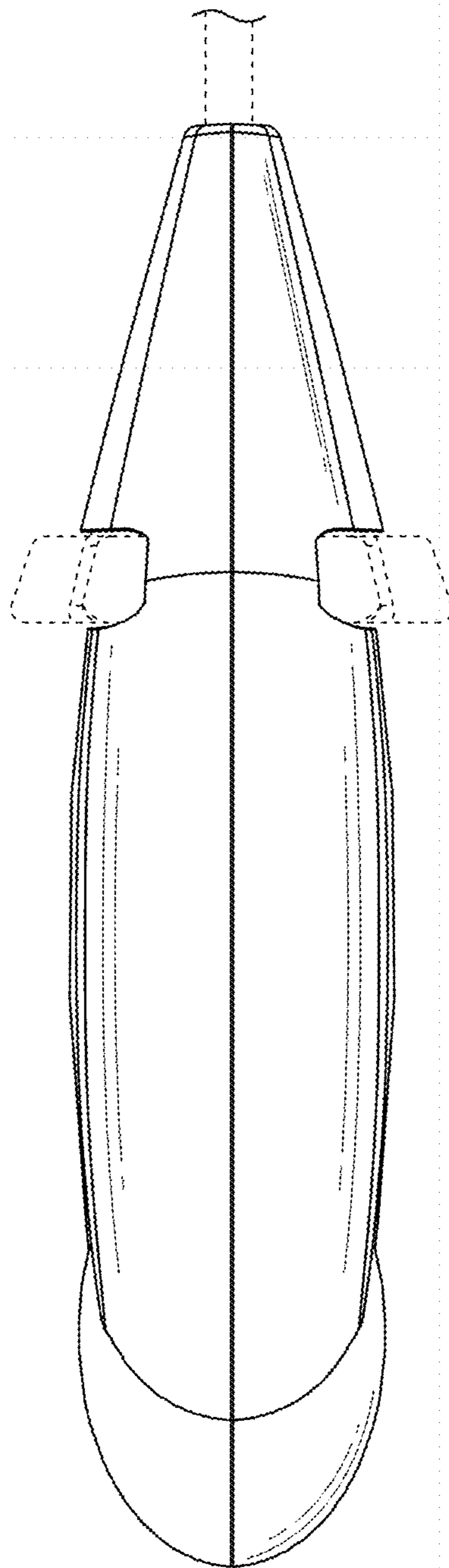


Fig. 4

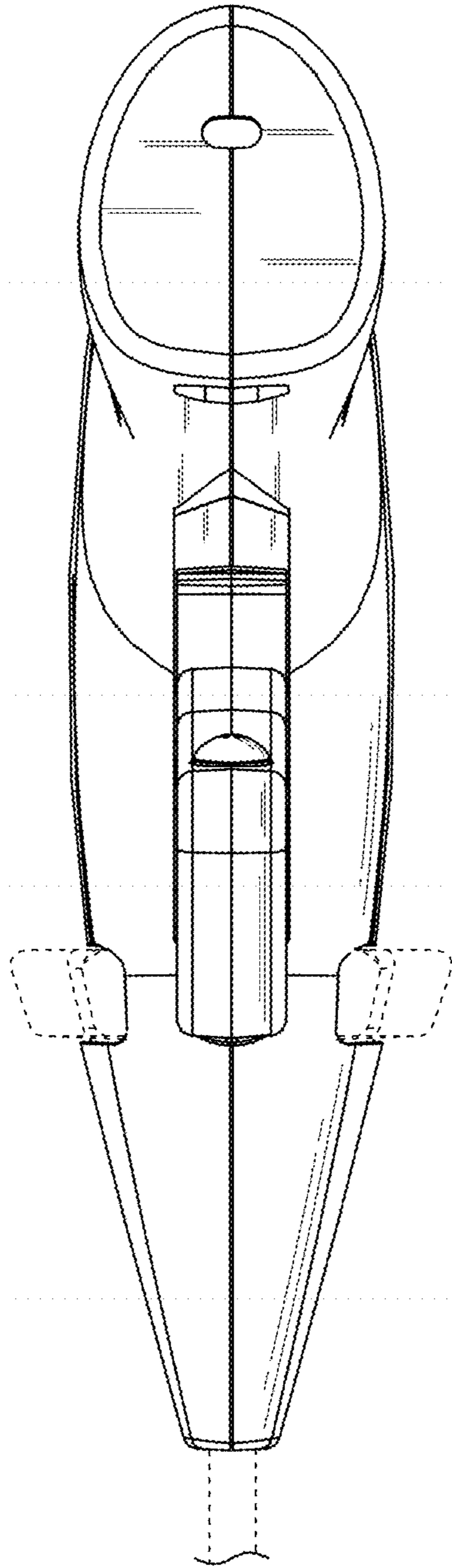


Fig. 5

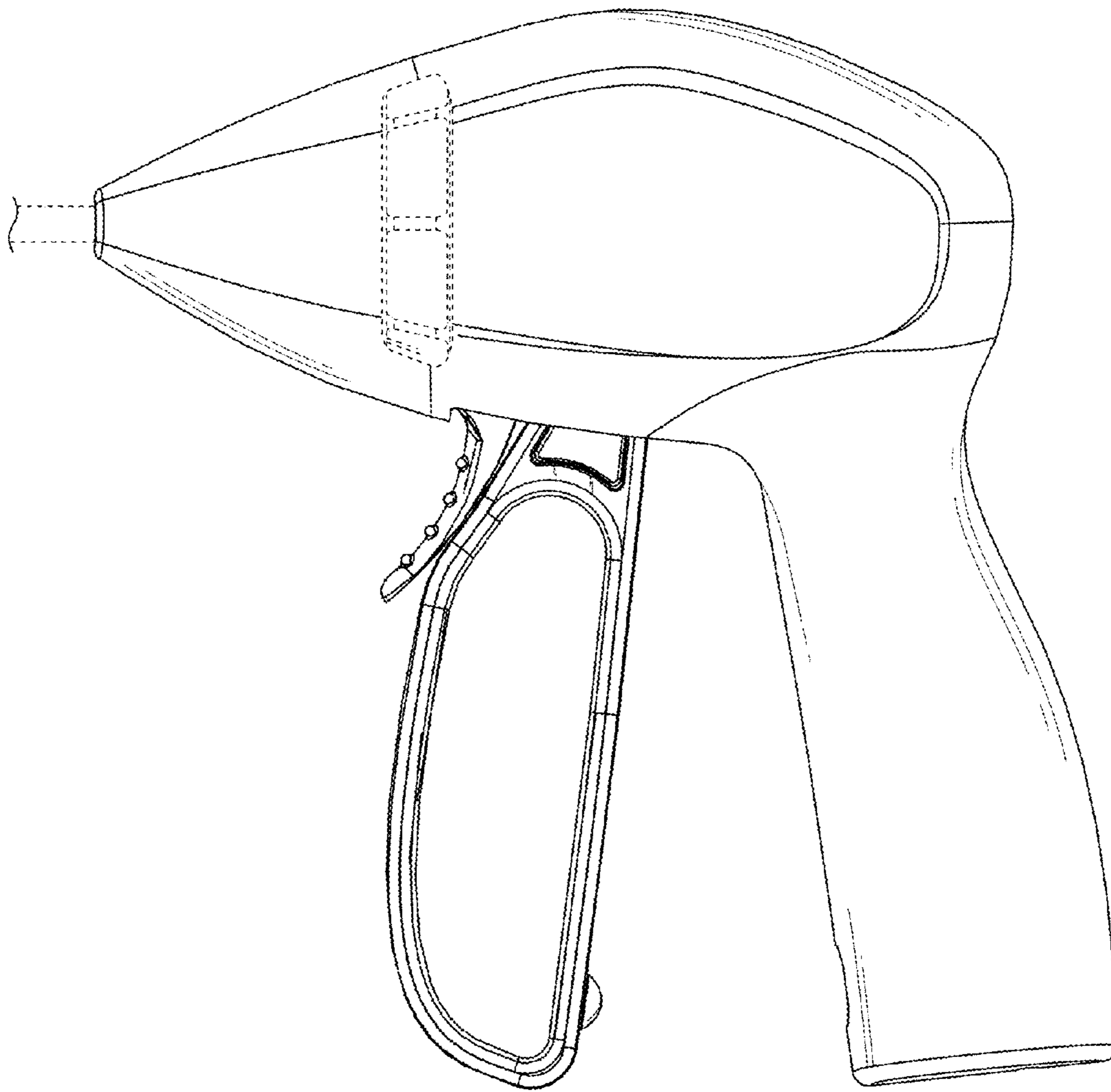


Fig. 6

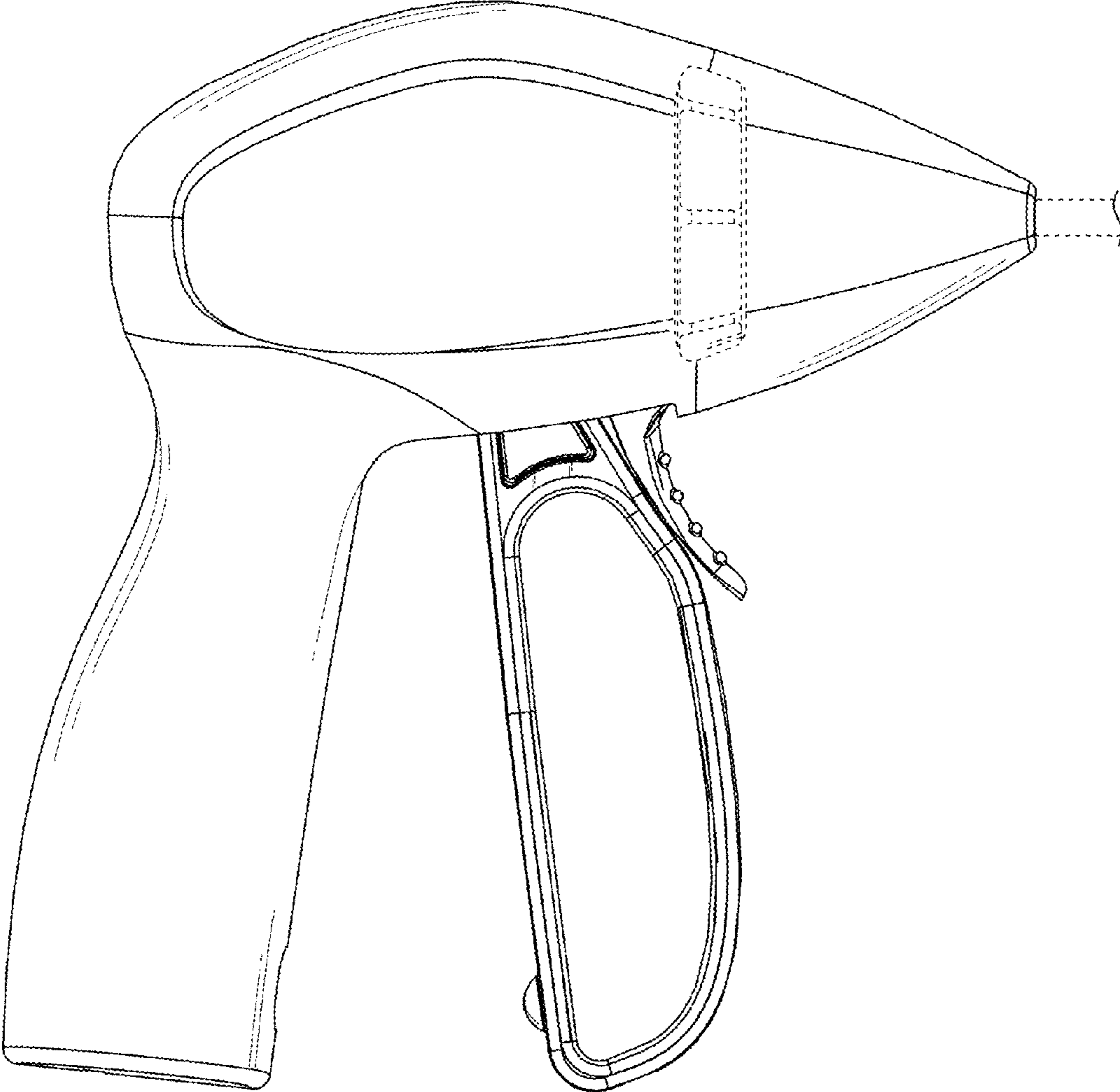


Fig. 7