



US00D744099S

(12) **United States Design Patent**
Osada

(10) **Patent No.:** **US D744,099 S**
(45) **Date of Patent:** **** Nov. 24, 2015**

(54) **SURGICAL DEVICE**

(56) **References Cited**

(71) Applicant: **OLYMPUS CORPORATION**, Tokyo
(JP)

U.S. PATENT DOCUMENTS

(72) Inventor: **Reisuke Osada**, Hino (JP)

D281,624	S	*	12/1985	Babini	D24/133
D533,942	S	*	12/2006	Kerr et al.	D24/144
D557,415	S	*	12/2007	Bacher	D24/133
D562,450	S	*	2/2008	Wehrstein et al.	D24/133
D631,961	S	*	2/2011	Held	D24/133
D644,736	S	*	9/2011	Fisher	D24/148
D670,808	S	*	11/2012	Moua et al.	D24/144
8,551,077	B2	*	10/2013	Main et al.	606/1
8,652,132	B2	*	2/2014	Tsuchiya et al.	606/41
D724,732	S	*	3/2015	Kimball et al.	D24/144
2010/0331873	A1	*	12/2010	Dannaher et al.	606/169
2014/0207163	A1	*	7/2014	Eichmann et al.	606/167
2015/0080925	A1	*	3/2015	Schulte et al.	606/169

(73) Assignee: **OLYMPUS CORPORATION**, Tokyo
(JP)

(**) Term: **14 Years**

(21) Appl. No.: **29/492,658**

(22) Filed: **Jun. 2, 2014**

* cited by examiner

(30) **Foreign Application Priority Data**

Dec. 5, 2013 (JP) 2013-028576

Primary Examiner — Wan Laymon

Assistant Examiner — Mark Booker

(51) **LOC (10) Cl.** **24-02**

(74) *Attorney, Agent, or Firm* — Oliff PLC

(52) **U.S. Cl.**
USPC **D24/145**

(57) **CLAIM**

The ornamental design for a surgical device, as shown and described.

(58) **Field of Classification Search**

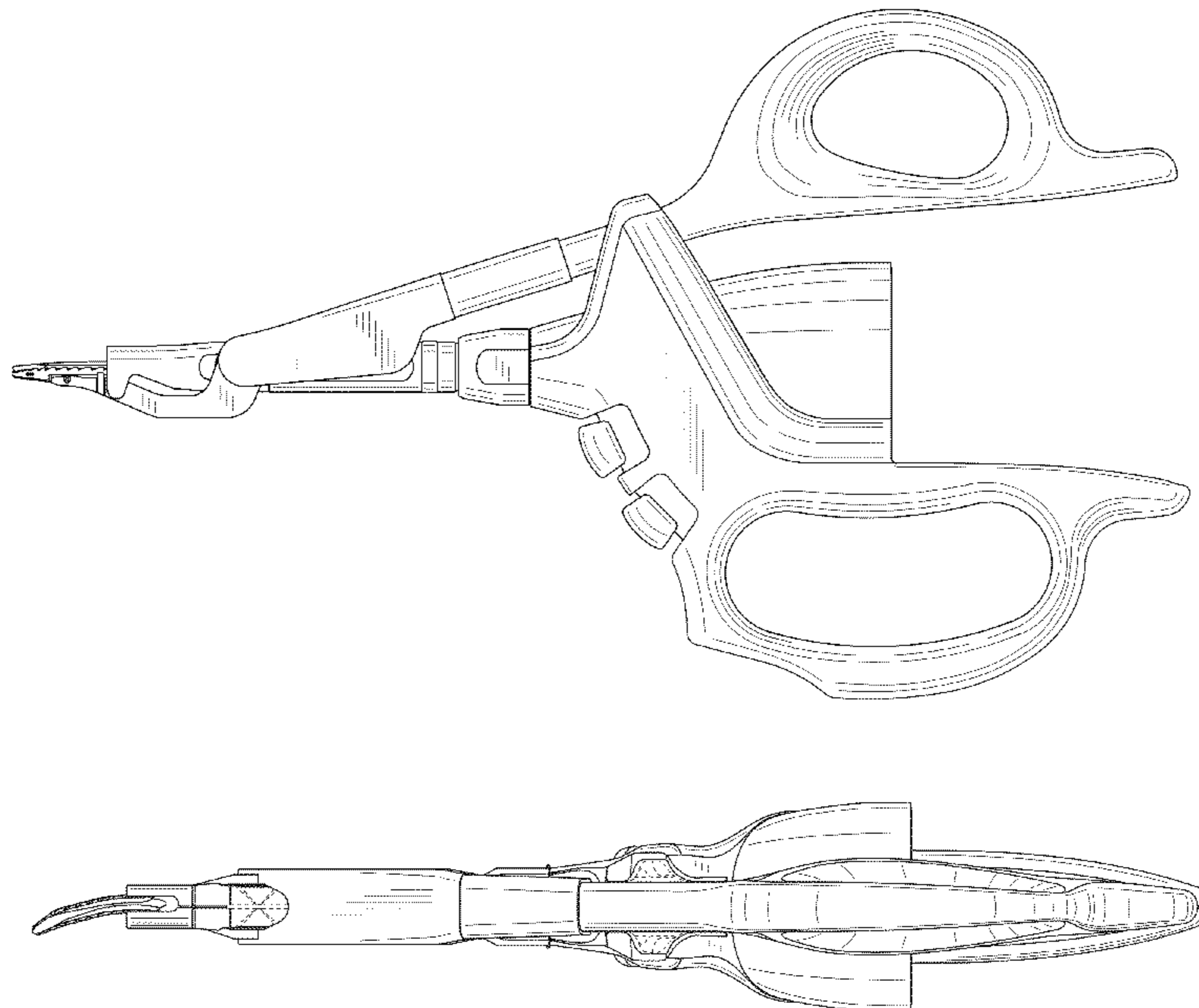
DESCRIPTION

USPC D24/145, 133, 143, 144, 147-149;
606/1, 39-40, 45, 48-52, 104, 131,
606/139-140, 142, 144, 145, 148, 167,
606/169-171, 180, 205-208, 213, 216
CPC A61B 17/2841; A61B 17/1606; A61B
17/320068; A61B 17/0469; A61B 17/0625;
A61B 17/0482; A61B 17/29; A61B
2017/06042; A61B 17/320092; A61B 17/162;
A61B 2017/320072; A61B 2017/00424;
A61B 2017/00477; A61B 2017/2825; A61B
17/8875

FIG. 1 is a front view of a surgical device, showing my new design;
FIG. 2 is a rear view thereof;
FIG. 3 is a left side view thereof;
FIG. 4 is a right side view thereof;
FIG. 5 is a top view thereof; and,
FIG. 6 is a bottom view thereof.
The broken lines shown in the figures are included for the purpose of illustrating portions of the surgical device and form no part of the claimed design.

See application file for complete search history.

1 Claim, 4 Drawing Sheets



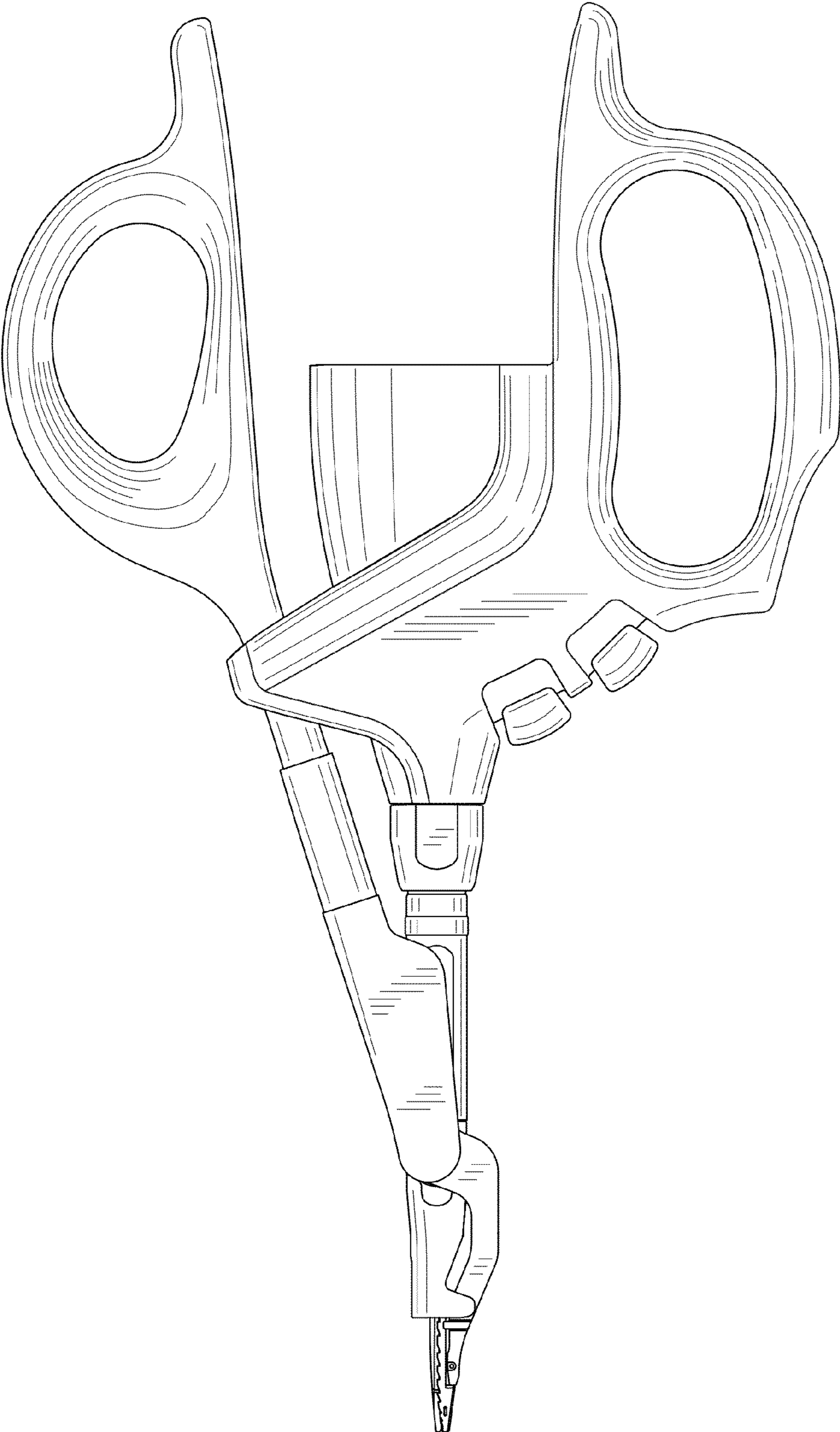


Fig. 1

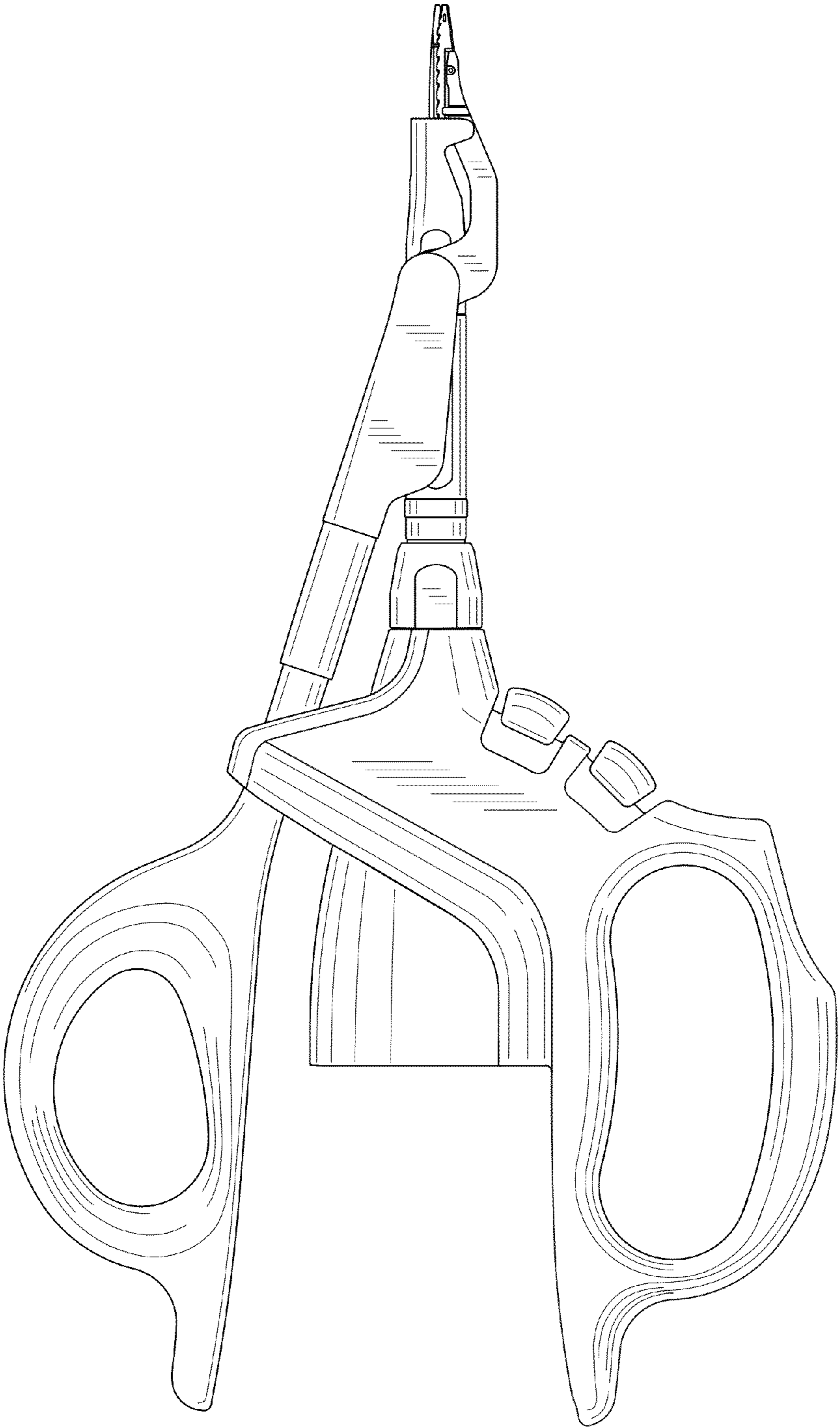


Fig. 2

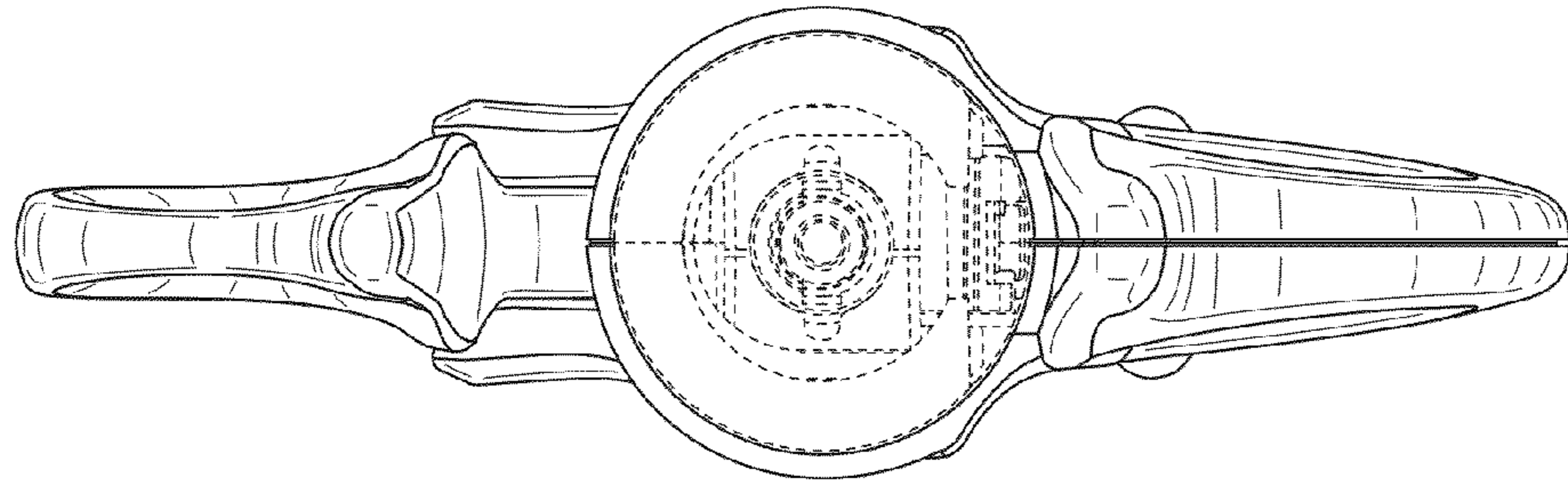


Fig. 4

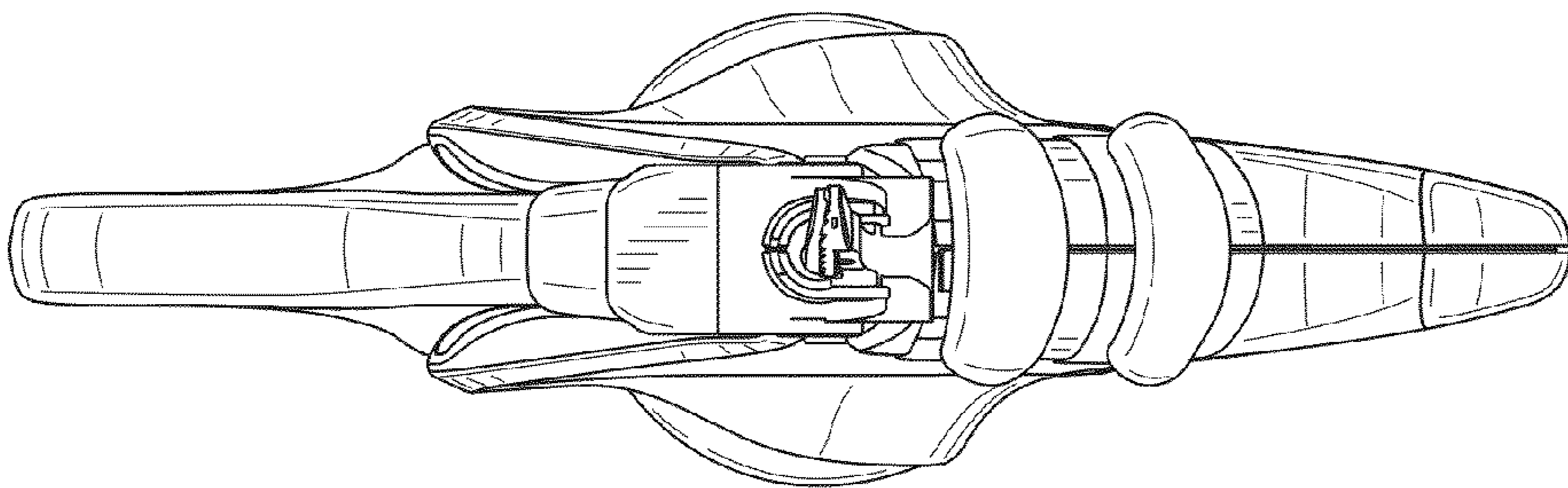


Fig. 3

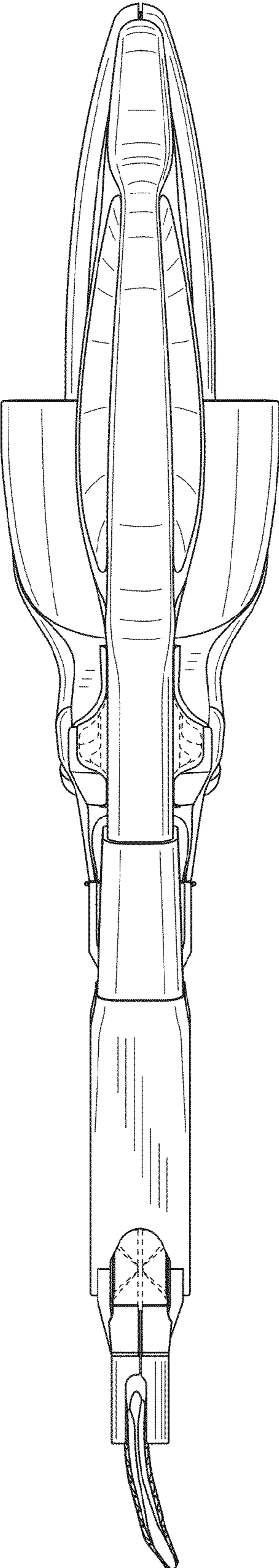


Fig. 5

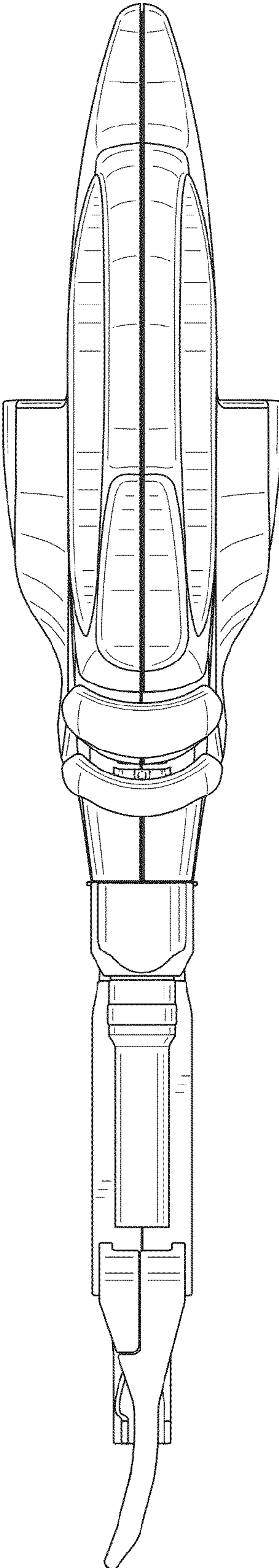


Fig. 6