



US00D744096S

(12) **United States Design Patent**  
**van Dullemen et al.**

(10) **Patent No.:** **US D744,096 S**

(45) **Date of Patent:** **\*\* Nov. 24, 2015**

(54) **MULTI-FUNCTIONAL HANDLE**

(71) Applicant: **VascoMed GmbH**, Binzen (DE)

(72) Inventors: **Marlies van Dullemen**, Leiden (NL);  
**Jorrit Roos**, Amsterdam (NL); **Tessa Souhoka**, Rijswijk (NL)

(73) Assignee: **VascoMed GmbH**, Binzen (DE)

(\*\*) Term: **14 Years**

(21) Appl. No.: **29/496,472**

(22) Filed: **Jul. 14, 2014**

(30) **Foreign Application Priority Data**

Feb. 4, 2014 (EM) ..... 002397067

(51) **LOC (10) Cl.** ..... **24-02**

(52) **U.S. Cl.**  
USPC ..... **D24/133**

(58) **Field of Classification Search**  
USPC ..... D24/133, 108, 112, 114, 137, 138, 140,  
D24/143, 144-147, 149; D8/303, DIG. 7;  
604/95.02, 139; 600/131, 234  
CPC ..... A61B 1/0052; A61B 1/0058; A61B  
1/00052; A61B 1/00066; A61B 17/06109;  
A61B 17/8819; A61B 17/8825; A61B 1/00105  
See application file for complete search history.

(56) **References Cited**

**U.S. PATENT DOCUMENTS**

D341,202 S \* 11/1993 Hood et al. .... D24/146  
D381,076 S \* 7/1997 Thornton et al. .... D24/138

D384,743 S \* 10/1997 Chia ..... D24/133  
D405,232 S \* 2/1999 Stevens et al. .... D28/58  
D455,210 S \* 4/2002 Henderson et al. .... D24/133  
D550,356 S \* 9/2007 Anderson et al. .... D24/133  
D633,034 S \* 2/2011 Heine et al. .... D13/103  
D655,004 S \* 2/2012 Ruiz et al. .... D24/133  
D704,336 S \* 5/2014 Chon et al. .... D24/144  
D718,441 S \* 11/2014 Carus et al. .... D24/133  
2008/0287739 A1 \* 11/2008 Smith et al. .... 600/131

\* cited by examiner

*Primary Examiner* — Wan Laymon

*Assistant Examiner* — Mark Booker

(74) *Attorney, Agent, or Firm* — Buchanan Ingersoll & Rooney PC

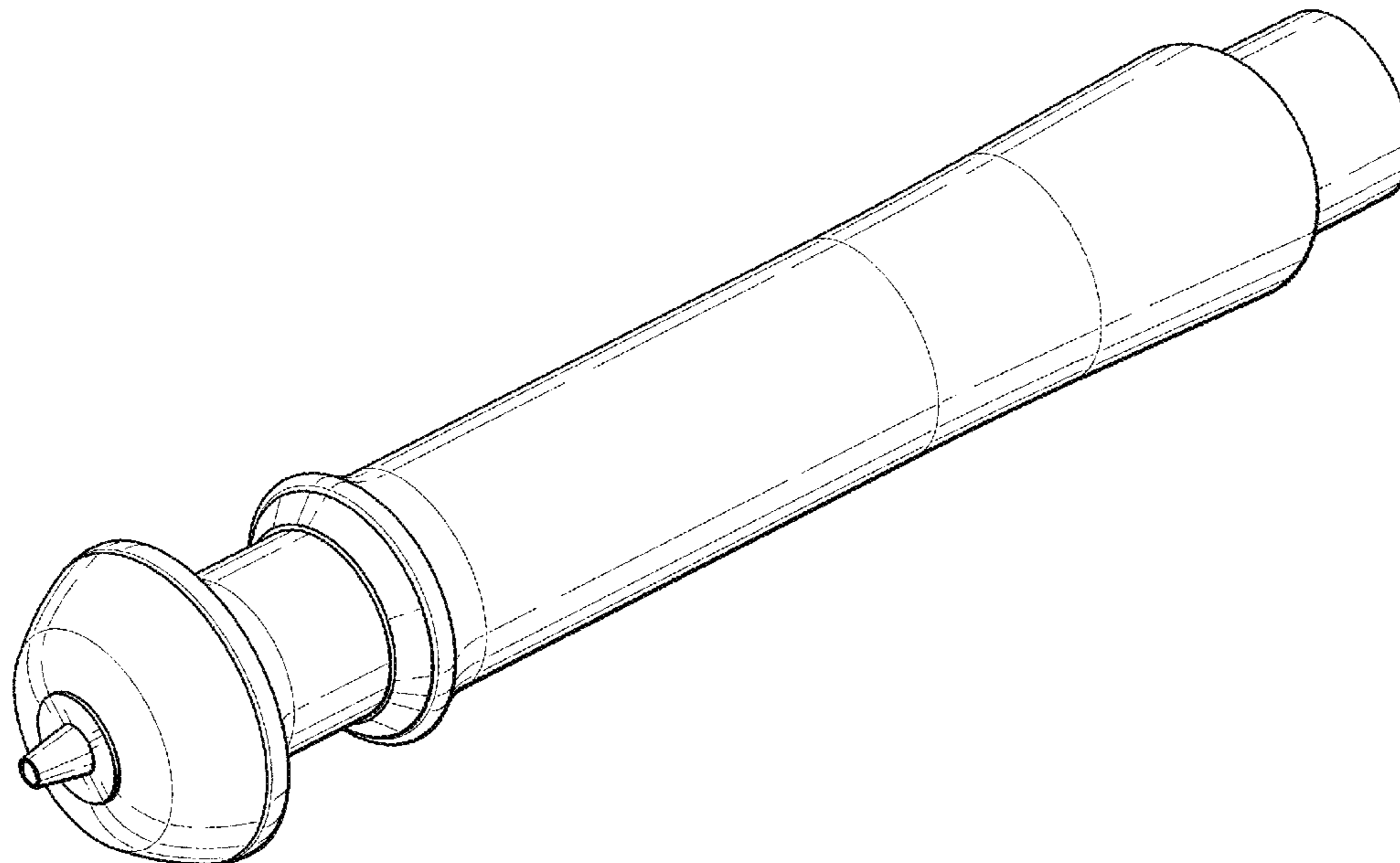
(57) **CLAIM**

The ornamental design for a multi-functional handle, as shown and described.

**DESCRIPTION**

FIG. 1 is a top, front, distal side perspective view of the multi-functional handle;  
FIG. 2 is a bottom, rear, proximal side perspective view of the multi-functional handle;  
FIG. 3 is a side view of the multi-functional handle in a front end position, with longitudinal rotational symmetry;  
FIG. 4 is a side view of the multi-functional handle in a middle position, with longitudinal rotational symmetry;  
FIG. 5 is a side view of the multi-functional handle in a back end position, with longitudinal rotational symmetry;  
FIG. 6 is a front view of the multi-functional handle; and,  
FIG. 7 is a rear view of the multi-functional handle.  
As shown in the Figs., and particularly FIGS. 3-5, the inner and outer cylinders are moveable against each other.

**1 Claim, 7 Drawing Sheets**



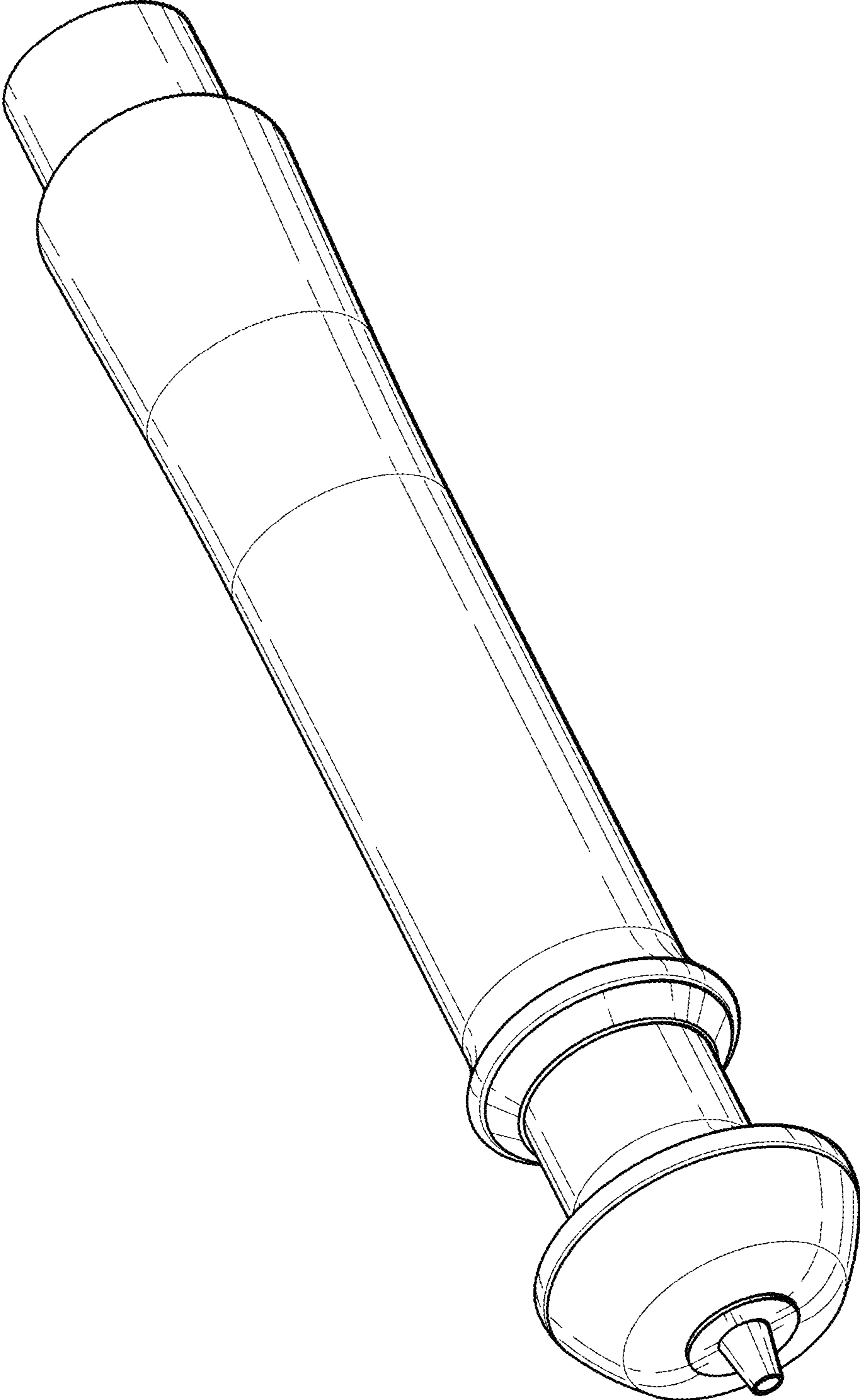
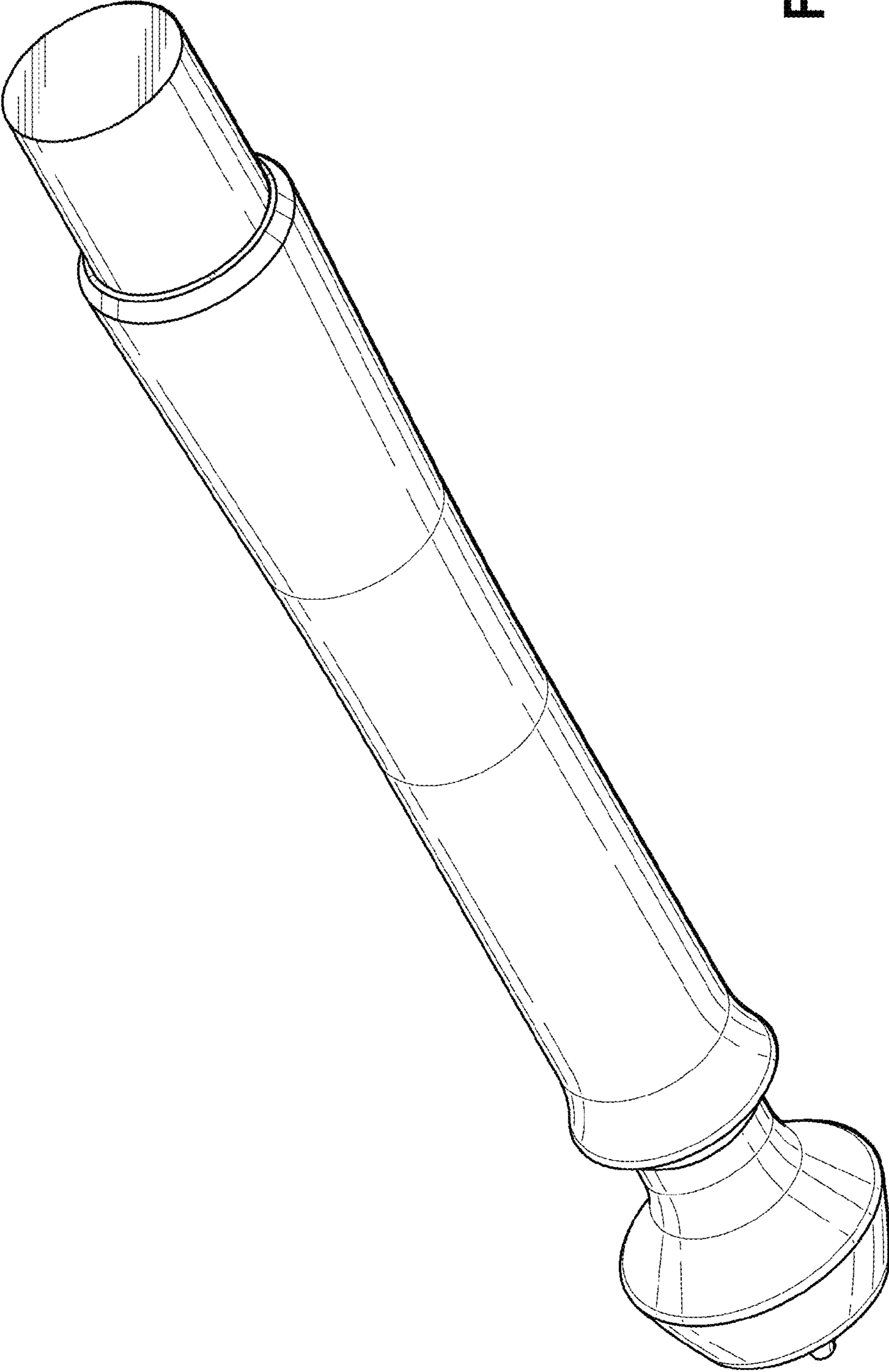


Fig. 1

Fig. 2



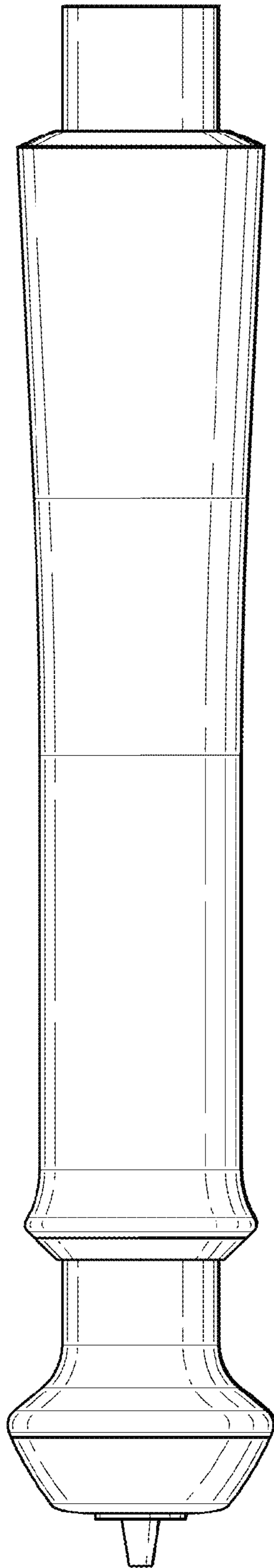


Fig. 3

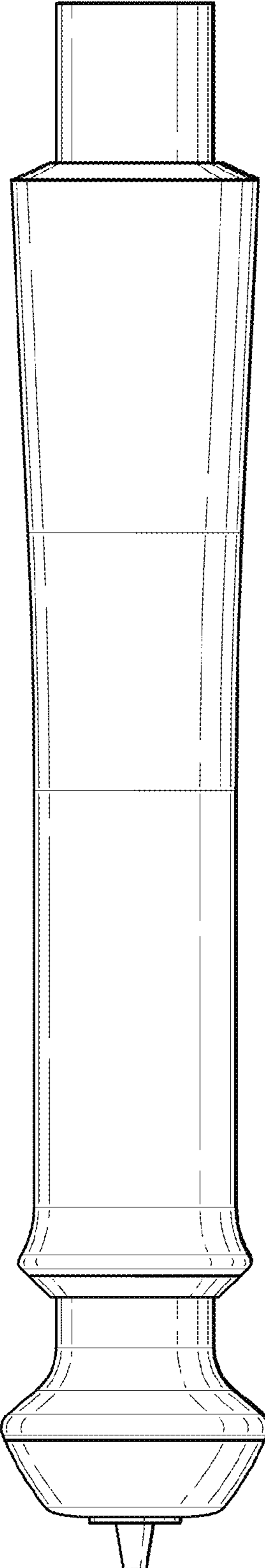


Fig. 4

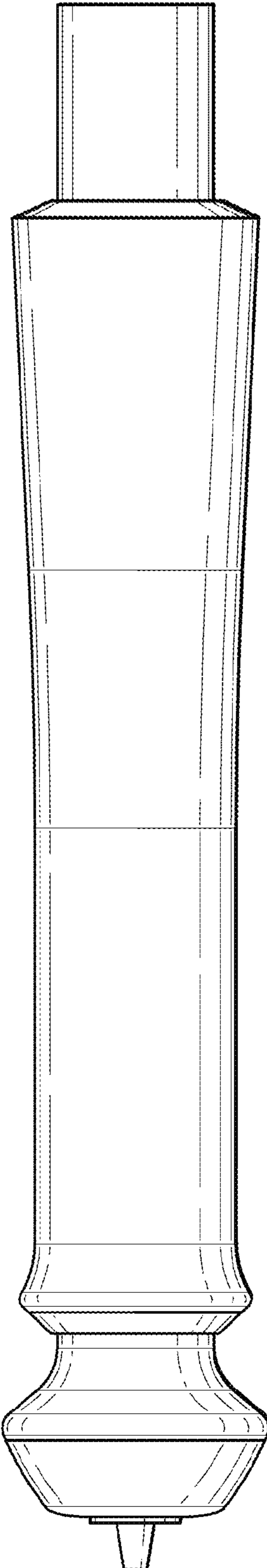


Fig. 5

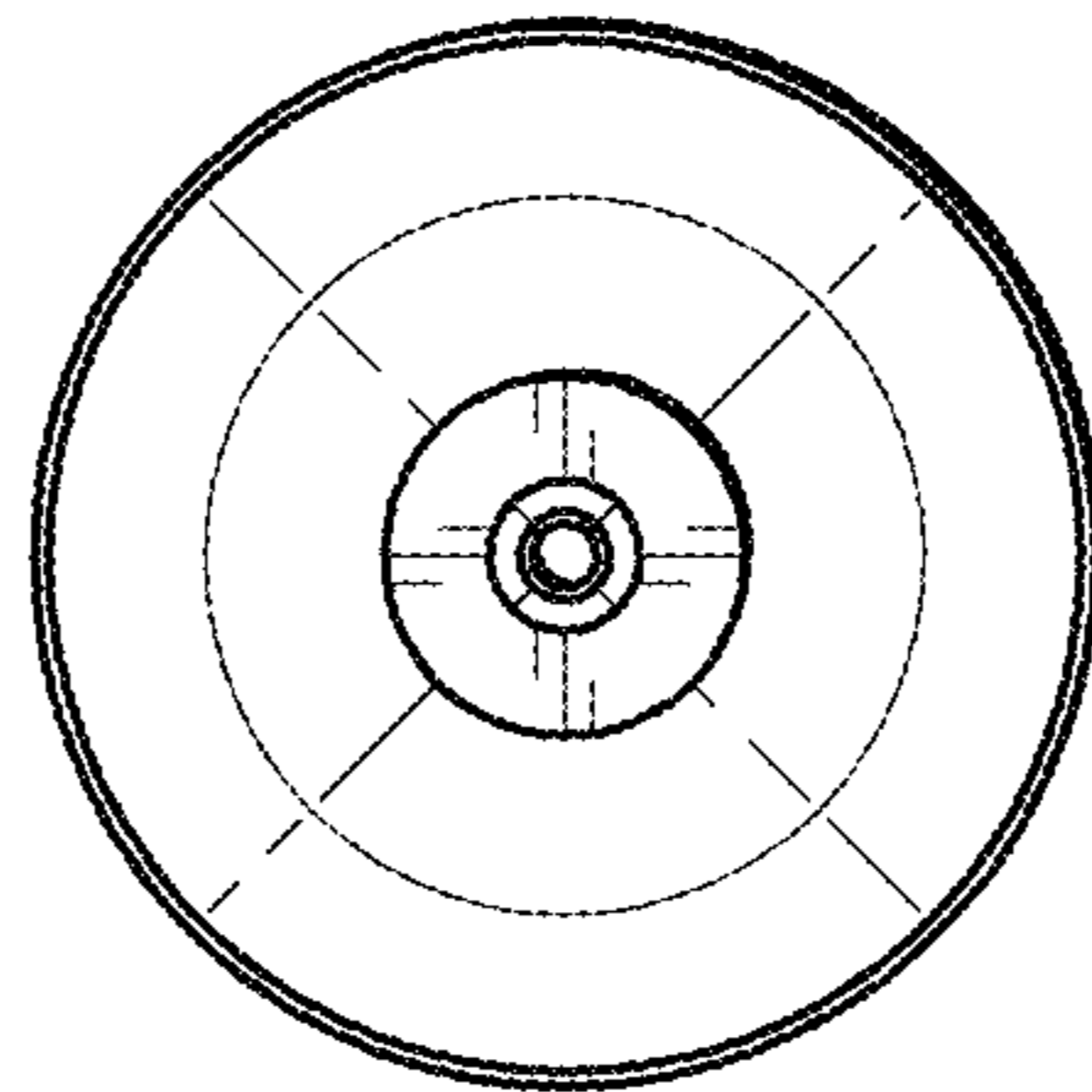


Fig. 6

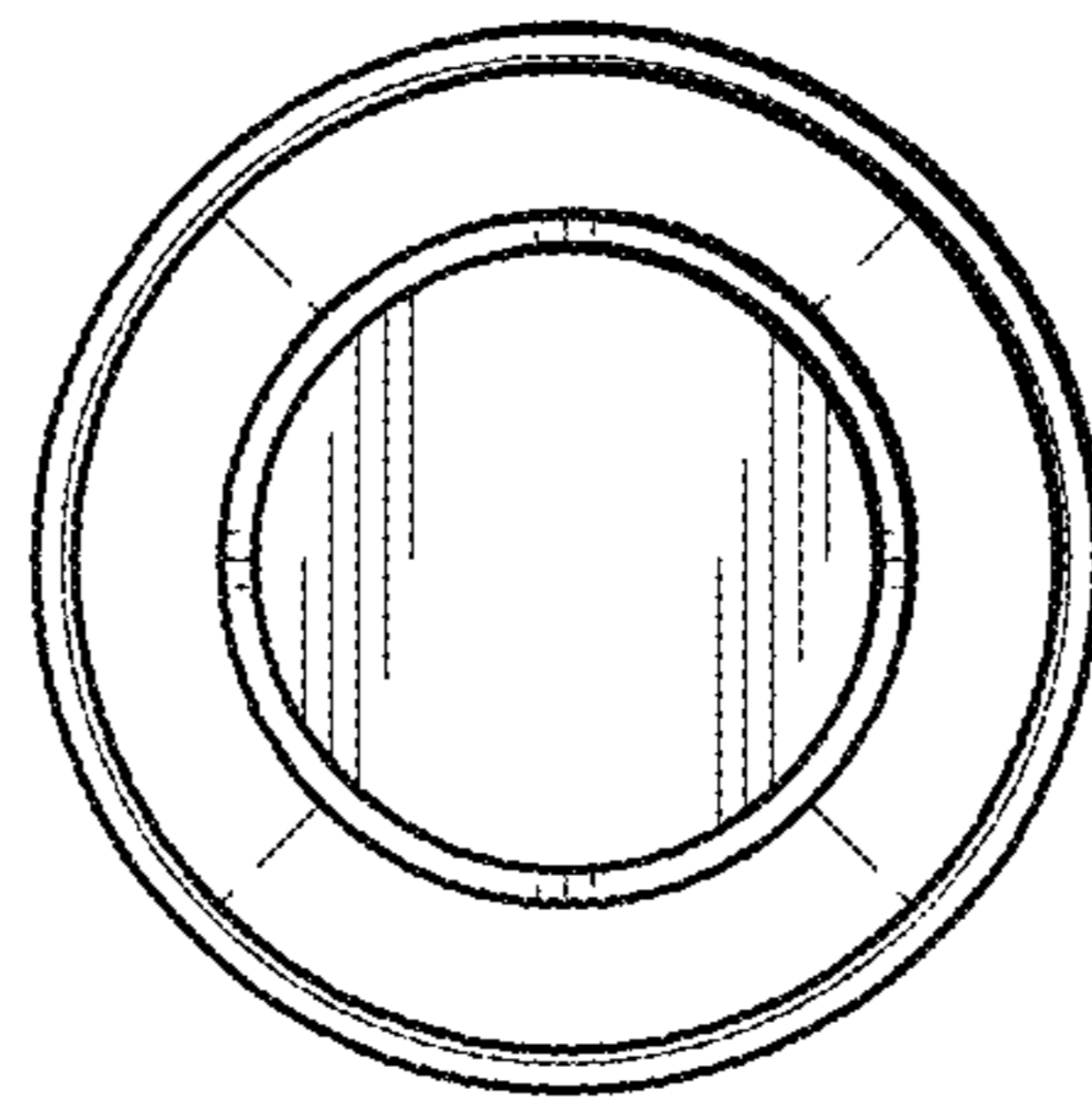


Fig. 7