



US00D744088S

(12) **United States Design Patent**
Blomberg et al.

(10) **Patent No.:** **US D744,088 S**

(45) **Date of Patent:** **** Nov. 24, 2015**

(54) **RESPIRATOR MASK HAVING A CIRCULAR BUTTON**

4,921,512 A 5/1990 Maryyanek
4,932,399 A 6/1990 Cappa
4,934,361 A * 6/1990 Michel et al. 128/206.17
5,062,421 A 11/1991 Burns

(71) Applicant: **3M INNOVATIVE PROPERTIES COMPANY**, St. Paul, MN (US)

(Continued)

(72) Inventors: **David M. Blomberg**, Lino Lakes, MN (US); **Kent E. Lageson**, Prior Lake, MN (US); **William A. Mittelstadt**, Woodbury, MN (US); **Carl W. Raines, III**, Woodbury, MN (US); **Charlie Wood**, Minneapolis, MN (US)

FOREIGN PATENT DOCUMENTS

CA 82141 10/1997
CA 106801 12/2005

(Continued)

(73) Assignee: **3M Innovative Properties Company**, St. Paul, MN (US)

OTHER PUBLICATIONS

Koken Particulate Respirators webpage, <http://www.koken-ltd.co.jp/english/particulate-respirators.htm>, obtained from internet on Jun. 3, 2013.

(**) Term: **14 Years**

(Continued)

(21) Appl. No.: **29/491,539**

Primary Examiner — Deanna L Pratt

(22) Filed: **May 22, 2014**

Assistant Examiner — Lilyana Bekic

(51) **LOC (10) Cl.** **29-02**

(74) *Attorney, Agent, or Firm* — Peter L. Olson

(52) **U.S. Cl.**
USPC **D24/110.1**

(58) **Field of Classification Search**
USPC D24/110.1–110.4, 110.6
CPC A62B 18/00; A62B 18/02; A62B 18/025;
A61M 16/0622; A61M 16/06; A61M 16/0616
See application file for complete search history.

(57) **CLAIM**

The ornamental design for a respirator mask having a circular button, as shown and described.

DESCRIPTION

FIG. 1 is a perspective view showing the new design for a respirator mask having a circular button.

FIG. 2 is a front view thereof;

FIG. 3 is a rear view thereof;

FIG. 4 is a right side view thereof, the left side being a mirror image thereof;

FIG. 5 is a top view thereof; and,

FIG. 6 is a bottom view thereof.

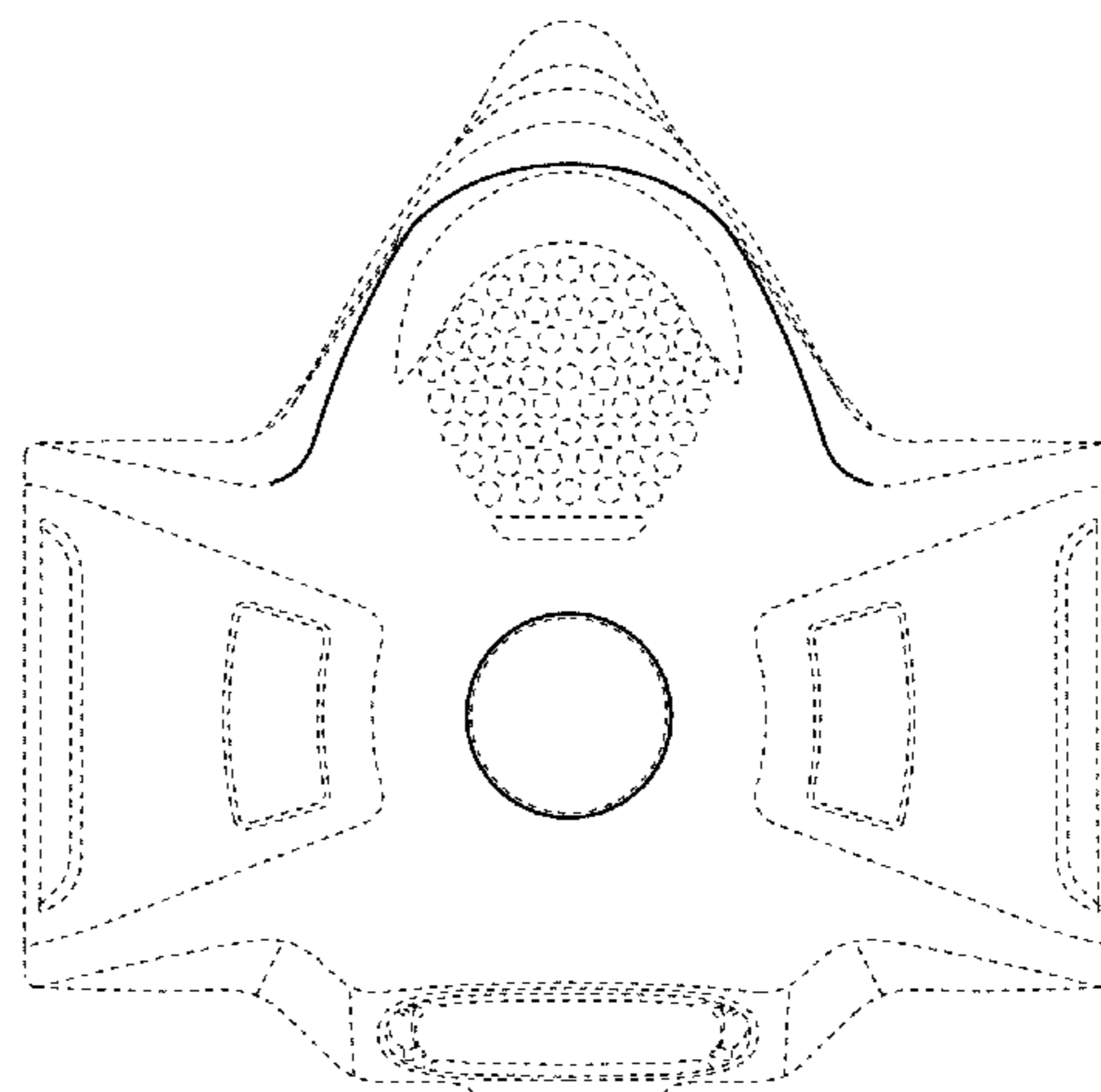
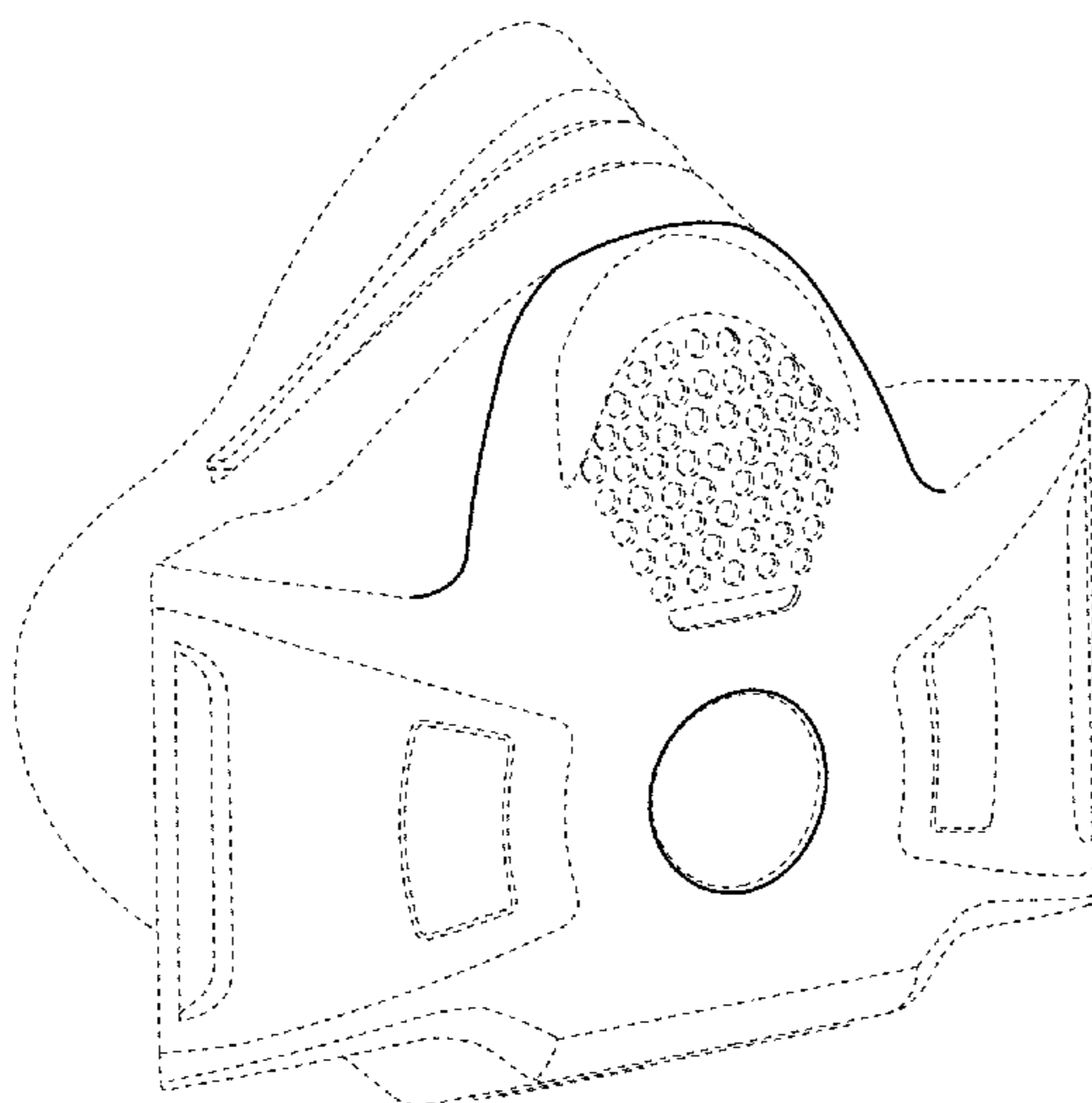
The broken lines in the drawings illustrate portions of the respirator mask having a circular button which form no part of the claimed design.

1 Claim, 3 Drawing Sheets

(56) **References Cited**

U.S. PATENT DOCUMENTS

2,055,853 A 9/1936 Schwartz
2,062,834 A 12/1936 Schwartz
2,235,624 A 3/1941 Schwartz
2,738,788 A * 3/1956 Matheson et al. 128/201.19
2,787,333 A 4/1957 Boone
2,874,693 A 2/1959 Matheson
4,562,837 A 1/1986 Schlobohm
D286,213 S 10/1986 Maryyanek
4,850,346 A * 7/1989 Michel et al. 128/206.15
D303,585 S * 9/1989 White et al. D24/110.4



(56)

References Cited

U.S. PATENT DOCUMENTS

5,086,768 A 2/1992 Niemeyer
 5,148,803 A 9/1992 Schlobohm
 D339,658 S 9/1993 Lahteenmaki
 RE35,062 E 10/1995 Brostrom
 5,463,693 A * 10/1995 Birli et al. 381/75
 5,515,846 A 5/1996 Drews
 5,579,761 A 12/1996 Yuschak
 5,611,925 A 3/1997 Yasue
 5,647,356 A 7/1997 Osendorf
 5,666,949 A 9/1997 Debe
 5,669,375 A 9/1997 Dahrendorf
 5,689,833 A * 11/1997 Allen et al. 2/427
 5,720,280 A * 2/1998 Elstran et al. 128/205.25
 D434,141 S * 11/2000 Randeberg et al. D24/110.4
 6,216,693 B1 4/2001 Rekow
 6,298,849 B1 10/2001 Scholey
 D467,656 S * 12/2002 Mittelstadt et al. D24/110.1
 6,550,479 B1 4/2003 Duxbury
 6,575,165 B1 6/2003 Cook
 D477,074 S * 7/2003 Rudolph et al. D24/110.4
 6,761,169 B2 7/2004 Eswarappa
 6,793,702 B2 9/2004 Eswarappa
 D518,571 S 4/2006 Martin
 7,419,526 B2 9/2008 Greer
 D597,200 S * 7/2009 Grimsley D24/110.1
 7,827,990 B1 11/2010 Melidis
 D655,404 S * 3/2012 Mittelstadt D24/110.1
 D678,508 S 3/2013 Choi
 D683,446 S 5/2013 Eves
 D687,142 S * 7/2013 Rothermel D24/110.4
 D707,349 S * 6/2014 D'Souza et al. D24/110.1
 D709,182 S * 7/2014 Rothermel et al. D24/110.4
 8,984,753 B2 * 3/2015 Billingsley et al. 29/896.62
 2001/0013347 A1 8/2001 Rekow
 2002/0195109 A1 12/2002 Mittelstadt
 2003/0217752 A1 11/2003 Muller
 2004/0003810 A1 1/2004 Templeton
 2004/0055604 A1 * 3/2004 Viner et al. 128/206.16
 2005/0109343 A1 * 5/2005 Flannigan et al. 128/206.17
 2005/0126572 A1 6/2005 Gosweiler
 2009/0078261 A1 * 3/2009 Martin et al. 128/206.12
 2009/0078262 A1 * 3/2009 Gebrewold et al. 128/206.12
 2009/0078264 A1 * 3/2009 Martin et al. 128/206.17
 2009/0078265 A1 * 3/2009 Gebrewold et al. 128/206.19
 2009/0193628 A1 * 8/2009 Gebrewold et al. 24/200
 2010/0206311 A1 * 8/2010 Flannigan et al. 128/207.12
 2010/0218761 A1 * 9/2010 Flannigan et al. 128/201.19
 2010/0263673 A1 * 10/2010 Kielow et al. 128/206.15
 2012/0000465 A1 1/2012 Cavaliere
 2012/0024289 A1 2/2012 Johnstone
 2012/0174922 A1 7/2012 Virr
 2014/0216447 A1 * 8/2014 Kihlberg 128/201.19
 2014/0216448 A1 * 8/2014 Kihlberg 128/201.19
 2014/0216473 A1 * 8/2014 Dwyer et al. 128/863
 2014/0216474 A1 * 8/2014 Mittelstadt et al. 128/863
 2014/0216475 A1 * 8/2014 Blomberg et al. 128/863
 2014/0251327 A1 * 9/2014 Mittelstadt et al. 128/202.22
 2015/0136141 A1 * 5/2015 Mittelstadt 128/206.15
 2015/0136142 A1 * 5/2015 Blomberg 128/206.17

FOREIGN PATENT DOCUMENTS

CN 3342471 12/2003
 CN 3457902 6/2005
 CN 3674586 7/2007
 CN 300757753 3/2008
 CN 300801845 7/2008
 CN 301345091 9/2010
 CN 301787238 1/2012
 CN 301841897 2/2012
 CN 301863214 3/2012
 CN 302193139 11/2012
 CN 302193145 11/2012
 CN 302386273 4/2013

CN 302571626 9/2013
 CN 302675143 12/2013
 CN 302754689 3/2014
 DE M9107635-0001 6/1992
 EM 000096961-0001 2/2004
 EM 001233373-0002 10/2010
 EM 001233373-0003 10/2010
 EM 001871401-0001 8/2011
 EM 001871401-0003 8/2011
 EM 001871401-0004 8/2011
 EM 001871401-0005 8/2011
 EM 001352645-0001 12/2012
 EM 001352645-0002 12/2012
 EM 001355259-0001 1/2013
 EM 001355259-0002 1/2013
 EM 001378673-0001 8/2013
 EM 001401335-0001 1/2014
 EM 001401335-0002 1/2014
 EM 001401335-0003 1/2014
 EM 001401335-0004 1/2014
 EM 001401335-0005 1/2014
 EM 001401335-0006 1/2014
 EM 001405609-0001 3/2014
 EM 001405609-0002 3/2014
 EM 001405609-0003 3/2014
 EM 001405609-0004 3/2014
 FR 916655-001 12/1991
 FR 972590-001 9/1997
 GB 2078022 2/1999
 GB 2490507 11/2012
 JP D1253605 10/2005
 JP D1334600 6/2008
 JP D1423131 9/2011
 JP D1424448 10/2011
 JP D1433068 2/2012
 JP D1489843 2/2014
 KR 300365183.0000 10/2004
 KR 300387985.0000 7/2005
 KR 300402015.0000 12/2005
 KR 10-0773460 11/2007
 KR 300484303.0000 3/2008
 KR 300497704.0000 7/2008
 KR 300505691.0000 9/2008
 KR 300514863.0000 12/2008
 KR 300516185.0000 1/2009
 KR 300526158.0000 4/2009
 KR 300542031.0000 10/2009
 KR 300563142.0000 6/2010
 KR 300649412.0000 6/2012
 KR 300649413.0000 6/2012
 KR 300662871.0000 10/2012
 KR 300683043.0000 3/2013
 KR 300683052.0000 3/2013
 KR 300683069.0000 3/2013
 KR 300684091.0000 3/2013
 KR 300726258.0000 1/2014
 KR 300726303.0000 1/2014
 RU 00063184 6/2007
 WO 2003/090873 11/2003
 WO 2004/071565 8/2004
 WO 2008/082415 7/2008

OTHER PUBLICATIONS

3M™ Cool Flow™ Valve information obtained from the internet on Mar. 18, 2014: http://solutions.3m.com/wps/portal/3M/en_EU/PPE_SafetySolutions_EU/Safety/FeaturedProducts/CoolFlowValve/.
 3M™ FF400 Respirator information obtained from the internet on Mar. 17, 2014: http://solutions.3m.com/wps/portal/3M/en_US/3M-PPE-Safety-Solutions/Personal-Protective-Equipment/safety-products/Ultimate-FX/.
 3M™ Maintenance Free Half Mask Respirators 4000 Series information obtained from the internet on Mar. 18, 2014: http://solutions.3m.com/wps/portal/3M/en_EU/PPE_SafetySolutions_EU/Safety/Product_Catalogue/?N=5548558+3294361848+3294857473&rt=rud.

(56)

References Cited

OTHER PUBLICATIONS

3M™ 6000 Respirator information obtained from the internet on Mar. 18, 2014: http://solutions.3m.com/wps/portal/3M/en_US/GlobalMining/Home/Products/WorkerSafety/?PC_Z7_RJH9U5230GM530IQDGUMOE3O51000000_nid=2TX60V5VQPbeKXCTK5DQ71gl.

3M™ Half Facepiece 7500 Series Ultimate Reusable Respirator information obtained from the internet on Mar. 18, 2014: http://solutions.3m.com/wps/portal/3M/en_US/ElectricalUtility/Home/Products/Catalog/~?N=5551730&rt=c3.

3M™ Full Facepiece Reusable Respirator 6800 information obtained from the internet on Mar. 18, 2014: [http://solutions.3m.com/wps/portal/3M/en_US/3M-PPE-Safety-Solutions/Personal-Protective-Equipment/Products/Product-Catalog/?N+324294930437+5011378&Nr=AND\(hrcy_id%3AGST29W6QVWgs_TC2BMJQKFQ_N2RL3FHWVK_GPD0K8BC31gv\)&rt=d](http://solutions.3m.com/wps/portal/3M/en_US/3M-PPE-Safety-Solutions/Personal-Protective-Equipment/Products/Product-Catalog/?N+324294930437+5011378&Nr=AND(hrcy_id%3AGST29W6QVWgs_TC2BMJQKFQ_N2RL3FHWVK_GPD0K8BC31gv)&rt=d).

Koken Model 1091D Respirator information obtained from the internet on Mar. 17, 2014: <http://www.koken-ltd.co.jp/english/particulatesrespirators.htm>.

MSA Ultra Elite® Full-Facepiece Respirator information obtained from the internet on Mar. 18, 2014: [http://us.msasafety.com/Air-Purifying-Respirators-\(APR\)/Full-Face-Masks/Ultra-Elite%26reg%3B-Full-Facepiece-Respirators/p/000050000500001084](http://us.msasafety.com/Air-Purifying-Respirators-(APR)/Full-Face-Masks/Ultra-Elite%26reg%3B-Full-Facepiece-Respirators/p/000050000500001084).

MSA Advantage® 420 Half-Mask Respirator information obtained from the internet on Mar. 18, 2014: [http://us.msasafety.com/Air-Purifying-Respirators-\(APR\)/Half-Masks/Advantage%26reg%3B-420-Half-Mask-Respirator/p/000100000200001150](http://us.msasafety.com/Air-Purifying-Respirators-(APR)/Half-Masks/Advantage%26reg%3B-420-Half-Mask-Respirator/p/000100000200001150).

North® by Honeywell 7700 Series Silicone Half Mask Respirator information obtained from the internet on Mar. 18, 2014: <http://www.northensafety.com/Product/7700/North-by-Honeywell-7700-Series-Silicone-Half-Mask-Respirator>.

Scott AV-3000 Facepiece information obtained from the internet on Mar. 18, 2014: <https://www.scottsafety.com/en/us/pages/ProductDetail.aspx?ProductDetail=AV-3000%20Facepiece>.

Scott Excel™ Half-Facepiece information obtained from the internet on Mar. 18, 2014: https://www.scottsafety.com/en/us/DocumentandMedia1/xcelbro_6301_0201.pdf.

Shigematsu Gas Respirators information, pp. 11-16, obtained from Shigematsu's website on Mar. 17, 2014: http://www.sts-japan.com/english/product_catalog.html.

Survivair Blue 1 respirator information obtained from the internet on Mar. 17, 2014, [http://www.honeywellsafety.com/Products/Respiratory_Protection/Survivair_Blue_1_\(NIOSH\).aspx?site=/usa](http://www.honeywellsafety.com/Products/Respiratory_Protection/Survivair_Blue_1_(NIOSH).aspx?site=/usa).

Survivair/Willson Premier Plus Respirator information obtained from the internet on Mar. 18, 2014: <http://store.parkersafetyinc.com/servlet/Detail?no=75>.

* cited by examiner

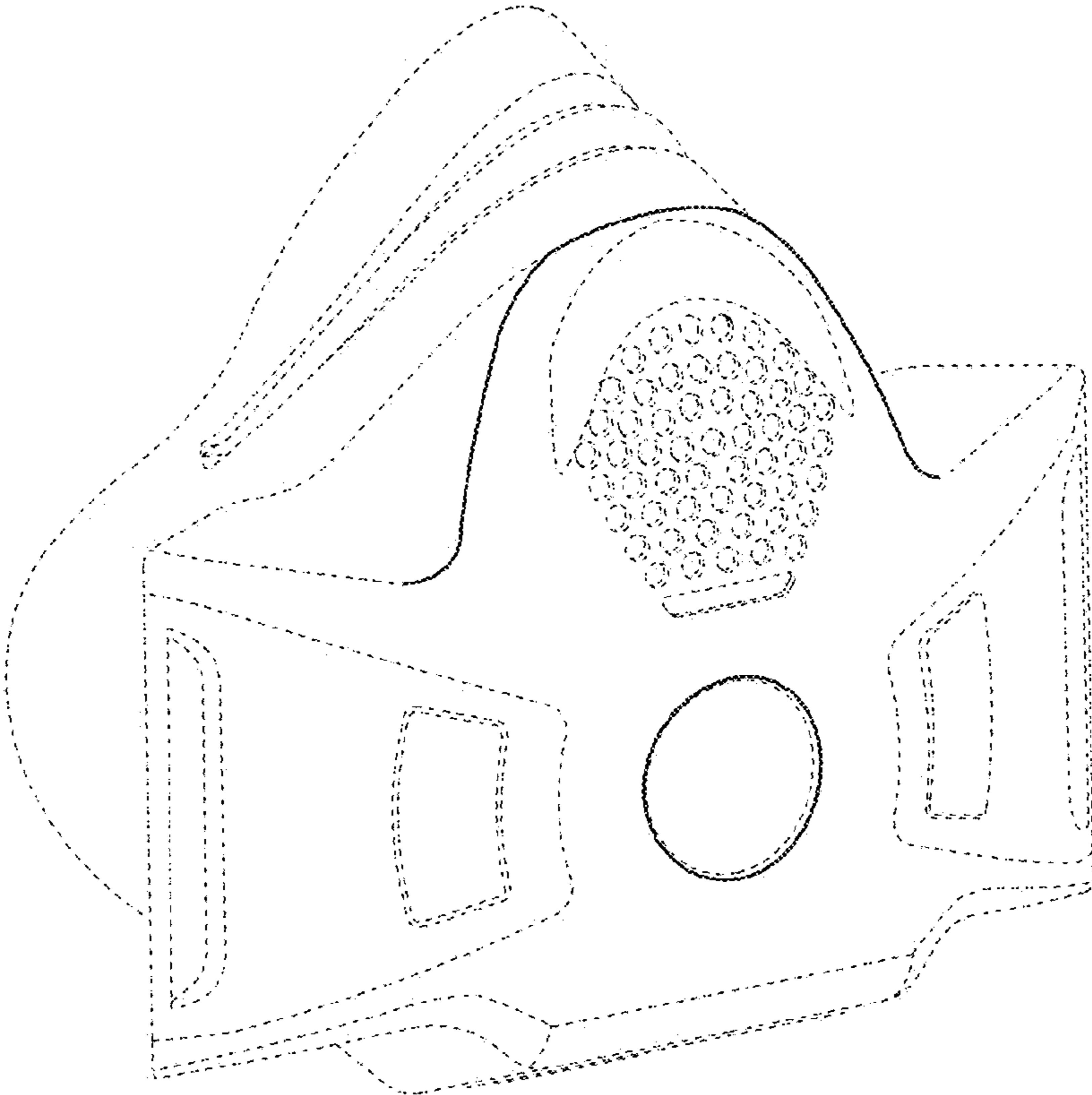


Fig. 1

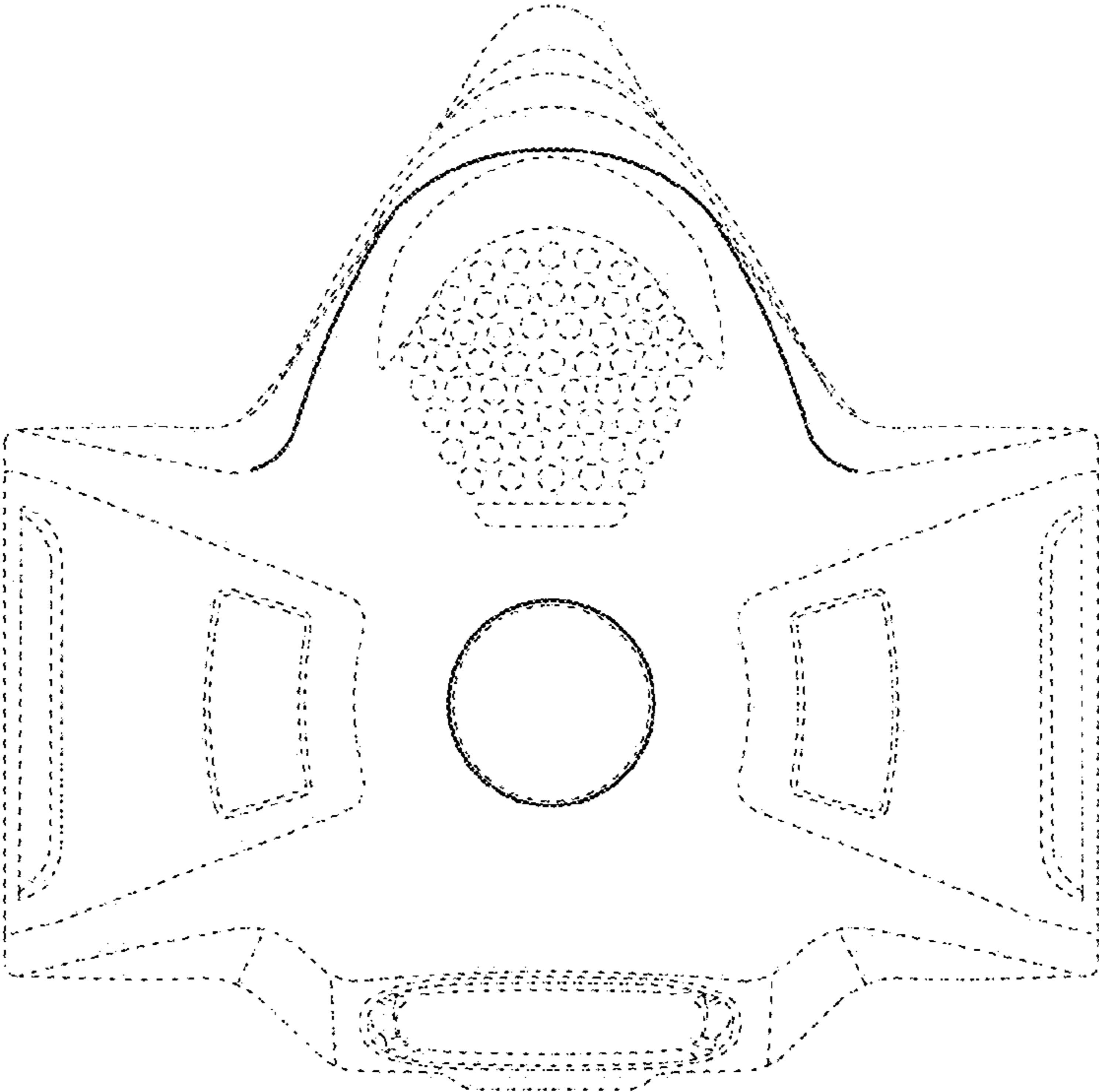


Fig. 2

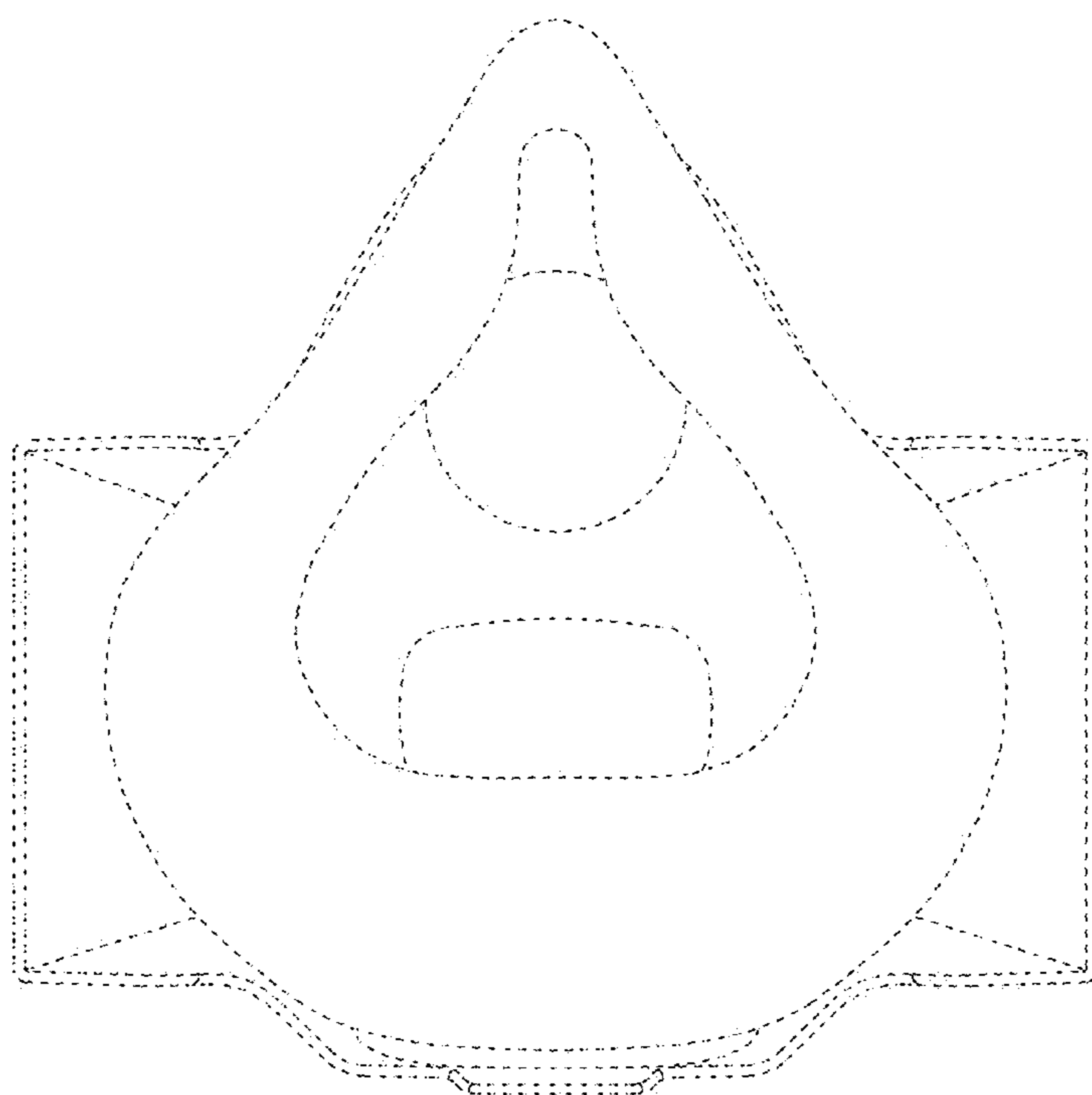


Fig. 3

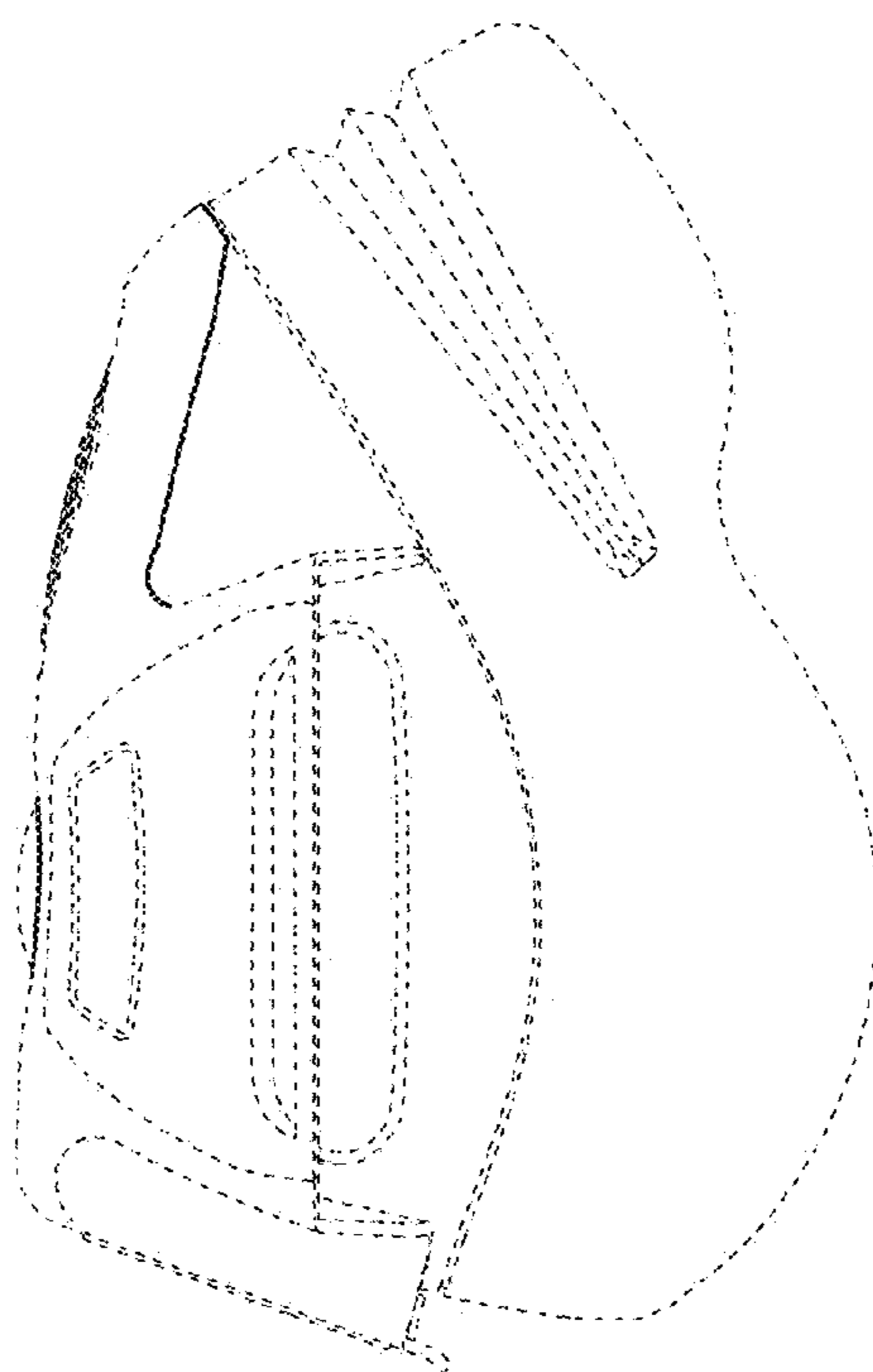


Fig. 4

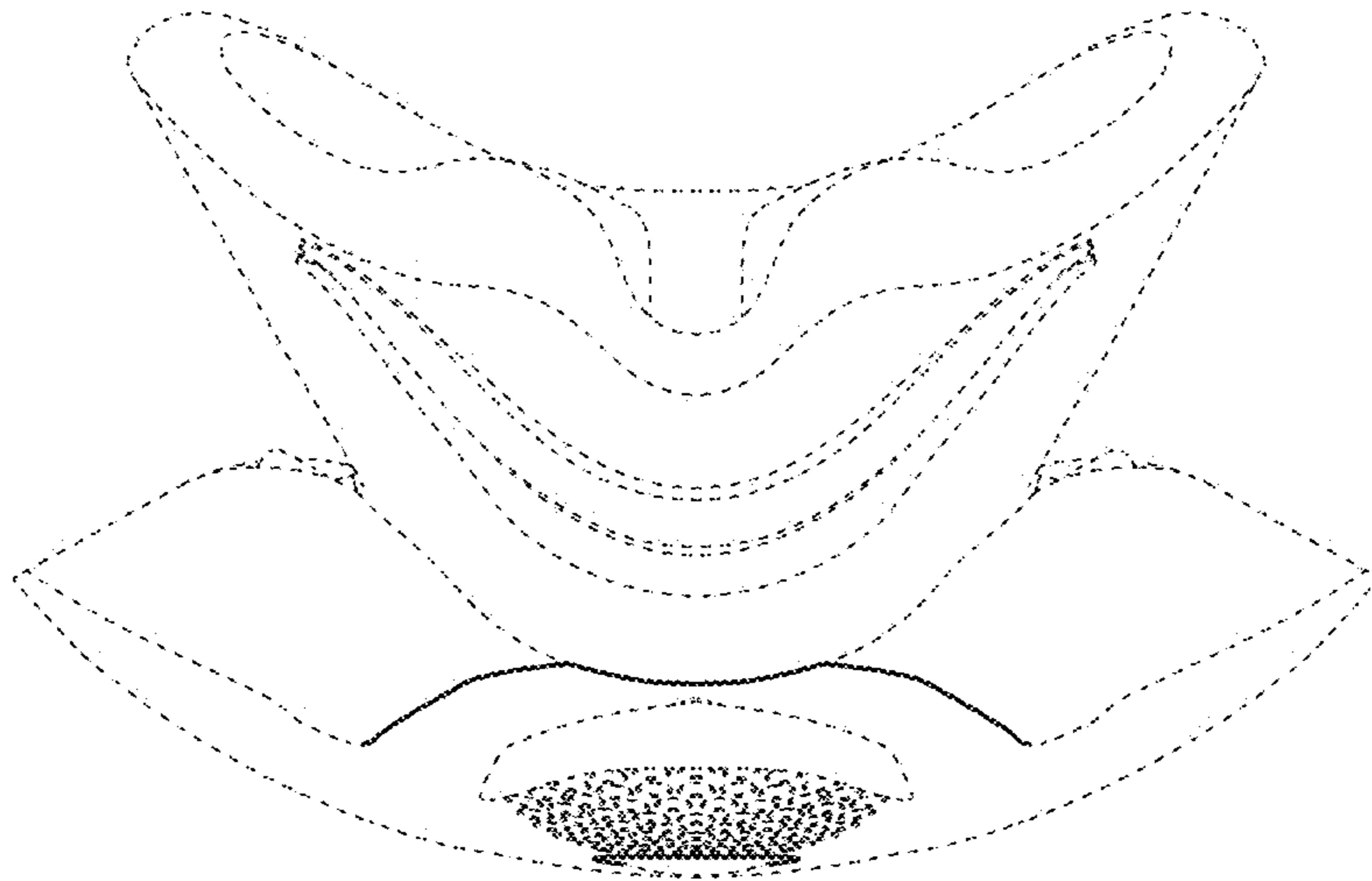


Fig. 5

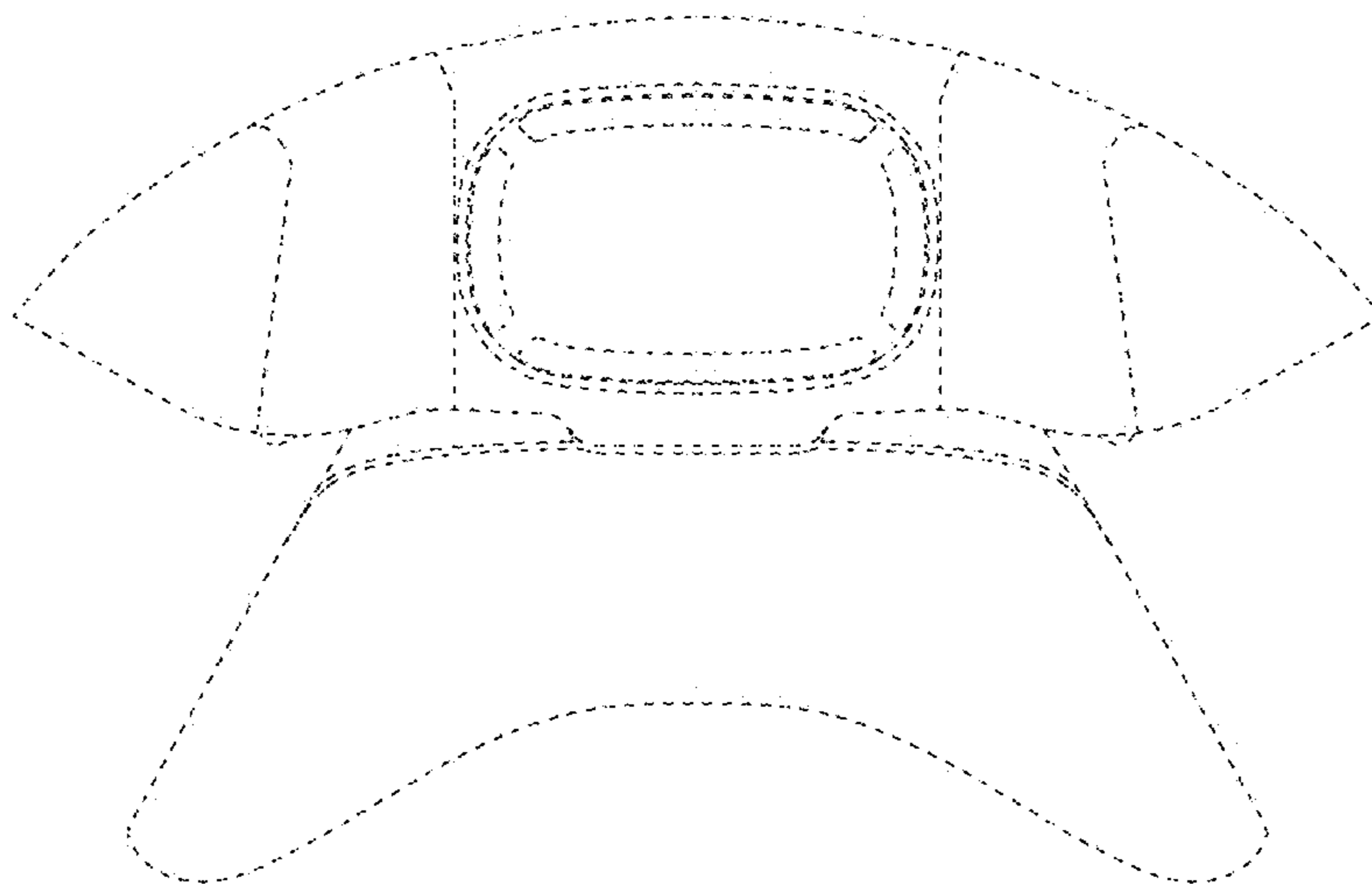


Fig. 6