



US00D744087S

(12) **United States Design Patent**  
**Bilgic**

(10) **Patent No.:** **US D744,087 S**

(45) **Date of Patent:** **\*\* Nov. 24, 2015**

(54) **DRY POWDER INHALER**

(71) Applicant: **Mahmut Bilgic**, Istanbul (TR)

(72) Inventor: **Mahmut Bilgic**, Istanbul (TR)

(\*\*) Term: **14 Years**

(21) Appl. No.: **29/468,586**

(22) Filed: **Oct. 1, 2013**

(51) **LOC (10) Cl.** ..... **29-02**

(52) **U.S. Cl.**  
USPC ..... **D24/110**

(58) **Field of Classification Search**  
USPC ..... D24/107, 108, 110, 111, 164  
CPC ..... A61M 15/009; A61M 15/0065; A61M  
15/0091; A61M 15/0021; A61M 15/0026;  
A61M 15/00; A61M 11/00; A61M 2202/064  
See application file for complete search history.

(56) **References Cited**

U.S. PATENT DOCUMENTS

2,625,292	A	1/1953	Spender	
D355,029	S *	1/1995	Kinneir et al.	D24/110
5,657,749	A	8/1997	Cox	
6,092,522	A	7/2000	Calvert et al.	
6,234,365	B1	5/2001	Bougamont et al.	
D450,117	S	11/2001	Braithwaite et al.	
D479,689	S	9/2003	Altonen et al.	
D505,865	S	6/2005	Seizer et al.	
D518,171	S	3/2006	Anderson et al.	
D590,495	S	4/2009	Lulla et al.	
D590,938	S	4/2009	Lulla et al.	
D613,397	S *	4/2010	Nakao et al.	D24/110
7,694,676	B2	4/2010	Wachtel	
D641,890	S *	7/2011	Nardo	D24/224
D645,734	S *	9/2011	Eason et al.	D9/421
D683,844	S *	6/2013	Andrade et al.	D24/110
D710,002	S *	7/2014	Valentine et al.	D24/110
2002/0132001	A1	9/2002	Garthwaite et al.	

2004/0094152	A1	5/2004	Harvey et al.	
2004/0173211	A1 *	9/2004	Kladders et al.	128/203.15
2005/0005934	A1	1/2005	Harvey	
2005/0154491	A1	7/2005	Anderson et al.	

(Continued)

FOREIGN PATENT DOCUMENTS

CA	2544745	A1	5/2005
EP	1175220	B1	4/2005

(Continued)

OTHER PUBLICATIONS

International Search Report and Written Opinion for International Application No. PCT/TR2011/000091 mailed Jul. 29, 2011 (9 pages).

(Continued)

*Primary Examiner* — Deanna L Pratt

*Assistant Examiner* — Lilyana Bekic

(74) *Attorney, Agent, or Firm* — Clark & Elbing LLP

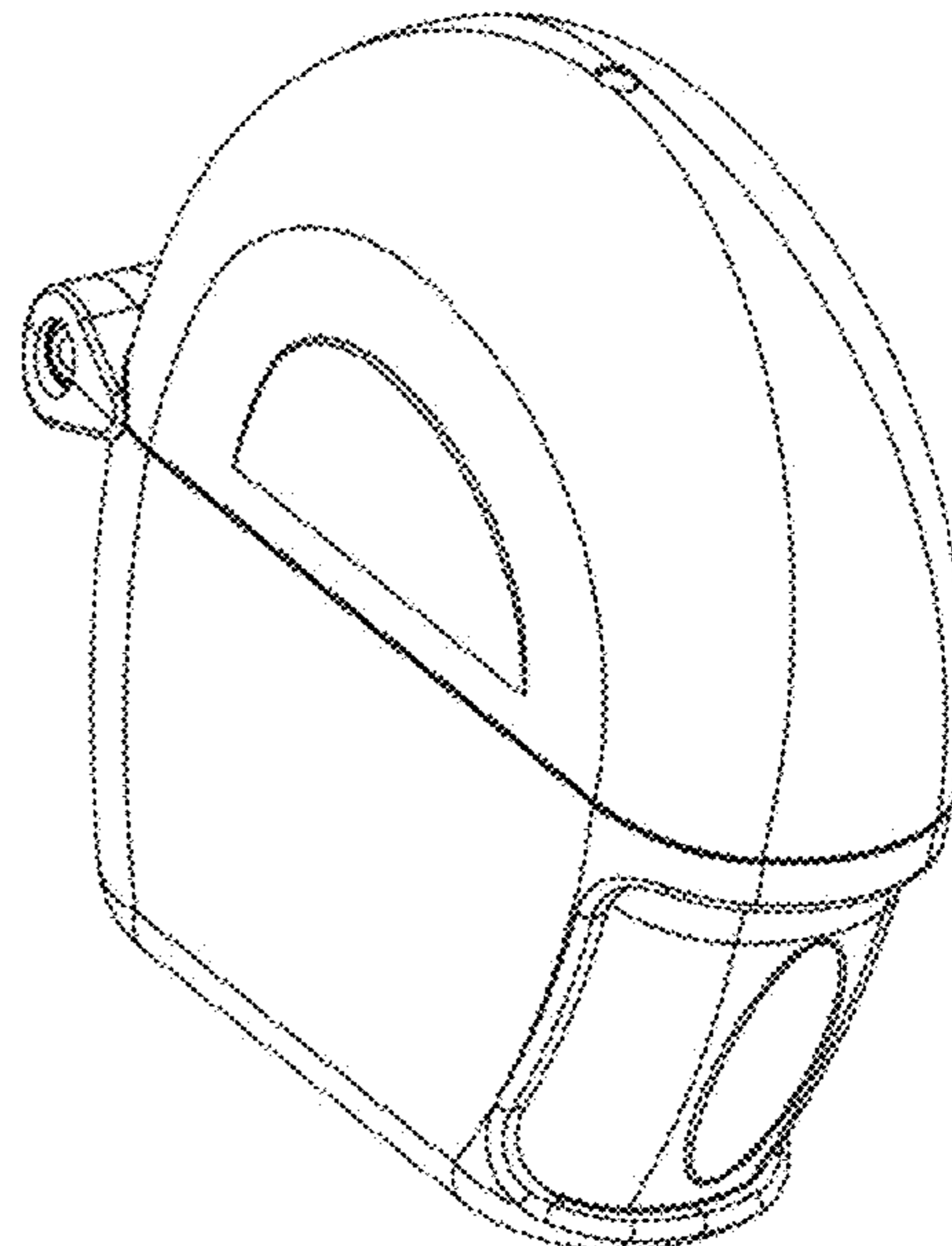
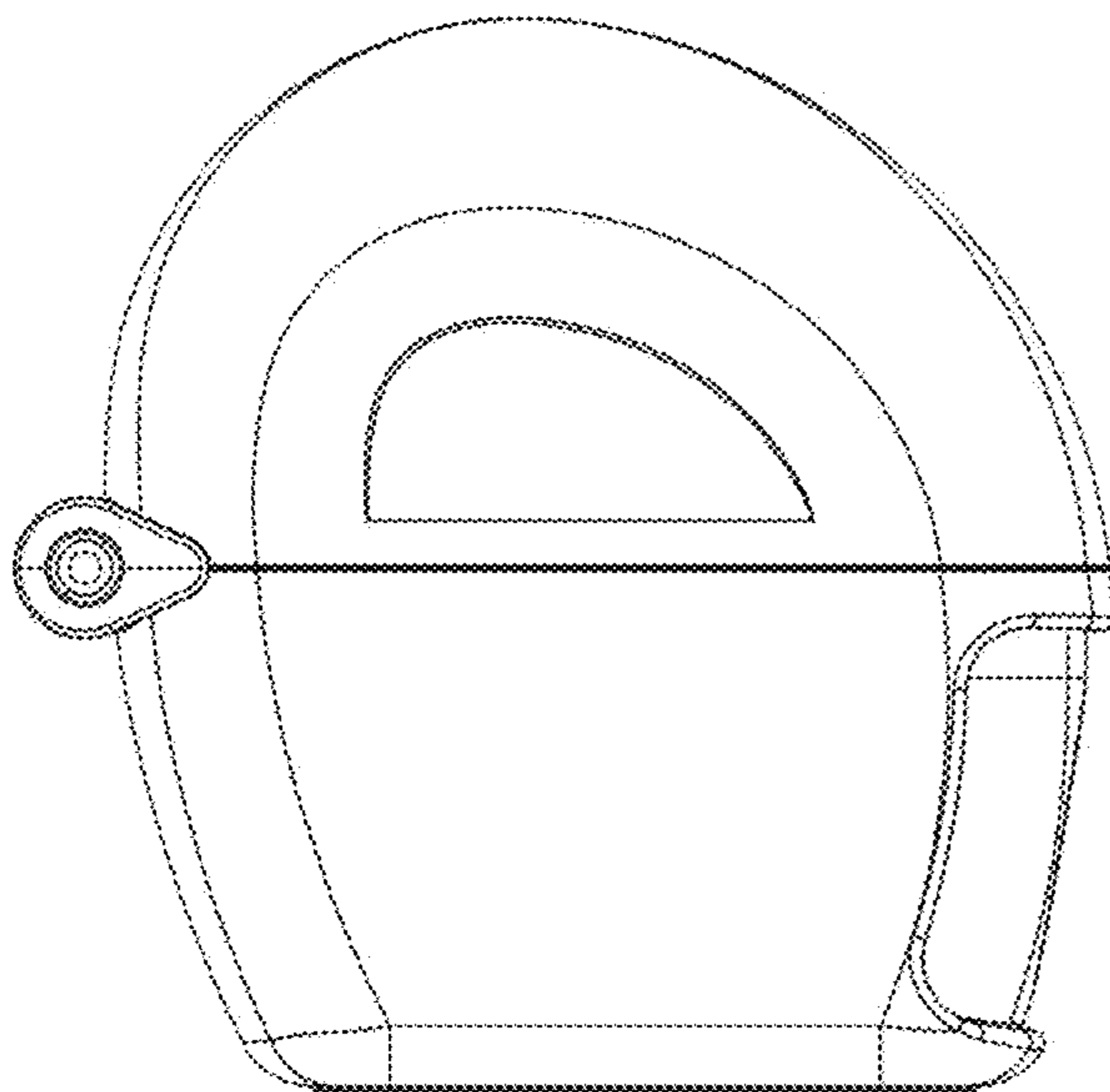
(57) **CLAIM**

The ornamental design for a dry powder inhaler, substantially as shown and described.

**DESCRIPTION**

FIG. 1 is a left elevation view of the dry powder inhaler. FIG. 2 is a right elevation view of the dry powder inhaler. FIG. 3 is a front side elevation view of the dry powder inhaler. FIG. 4 is a back side elevation view of the dry powder inhaler. FIG. 5 is a top plan view of the dry powder inhaler. FIG. 6 is a bottom plan view of the dry powder inhaler; and, FIG. 7 is a perspective view of the dry powder inhaler.

**1 Claim, 7 Drawing Sheets**



(56)

**References Cited**

U.S. PATENT DOCUMENTS

2005/0172964 A1 8/2005 Anderson et al.  
 2005/0268909 A1 12/2005 Bonney et al.  
 2005/0279357 A1 12/2005 Wachtel  
 2006/0196504 A1 9/2006 Augustyn et al.  
 2007/0062525 A1 3/2007 Bonney et al.  
 2008/0308102 A1 12/2008 Davies et al.  
 2009/0078252 A1 3/2009 Anderson et al.  
 2009/0139516 A1 6/2009 Augustyn et al.  
 2010/0000528 A1 1/2010 Palmer et al.  
 2010/0000529 A1 1/2010 Prime et al.  
 2010/0059052 A1 3/2010 Davies et al.  
 2011/0271958 A1 11/2011 Sawant  
 2014/0318538 A1\* 10/2014 Bilgic ..... 128/203.15

FOREIGN PATENT DOCUMENTS

EP 2082759 A1 7/2009  
 EP 2082764 A1 7/2009  
 GB 1459426 A 12/1976  
 GB 2407042 A 4/2005  
 GB 2447560 A 9/2008  
 WO WO-00/33847 A1 6/2000  
 WO WO-02/36189 A1 5/2002  
 WO WO-03/095010 A2 11/2003  
 WO WO-2006/066908 A1 6/2006  
 WO WO-2007/012960 A1 2/2007  
 WO WO-2008/074098 A1 6/2008  
 WO WO-2009/003989 A1 1/2009  
 WO WO-2009/139731 A1 11/2009  
 WO WO-2011/049541 A1 4/2011  
 WO WO-2011/129785 A1 10/2011  
 WO WO-2011/129786 A1 10/2011  
 WO WO-2011/129787 A1 10/2011  
 WO WO-2011/129788 A1 10/2011  
 WO WO-2011/129789 A1 10/2011  
 WO WO-2011/129790 A1 10/2011  
 WO WO-2011/129791 A1 10/2011

WO WO-2011/129793 A1 10/2011  
 WO WO-2011/129794 A1 10/2011  
 WO WO-2011/129795 A1 10/2011  
 WO WO-2011/133740 A1 10/2011

OTHER PUBLICATIONS

International Search Report and Written Opinion for International Application No. PCT/TR2011/000094 mailed Sep. 28, 2011 (9 pages).  
 International Search Report and Written Opinion for International Application No. PCT/TR2011/000089 mailed Jul. 22, 2011 (9 pages).  
 International Search Report and Written Opinion for International Application No. PCT/TR2011/000093 mailed Jul. 21, 2011 (9 pages).  
 International Search Report and Written Opinion for International Application No. PCT/TR2011/000085 dated Aug. 10, 2011 (10 pages).  
 International Search Report and Written Opinion for International Application No. PCT/TR2011/000088 mailed Oct. 6, 2011 (8 pages).  
 International Search Report and Written Opinion for International Application No. PCT/TR2011/000087 mailed Aug. 18, 2011 (8 pages).  
 International Search Report and Written Opinion for International Application No. PCT/TR2011/000095 mailed Aug. 4, 2011 (9 pages).  
 International Search Report and Written Opinion for International Application No. PCT/TR2011/000090 mailed Aug. 22, 2011 (8 pages).  
 International Search Report and Written Opinion for International Application No. PCT/TR2011/000210 mailed Mar. 7, 2012 (7 pages).  
 International Search Report and Written Opinion for International Application No. PCT/TR2011/000086, mailed Oct. 6, 2011 (8 pages).

\* cited by examiner

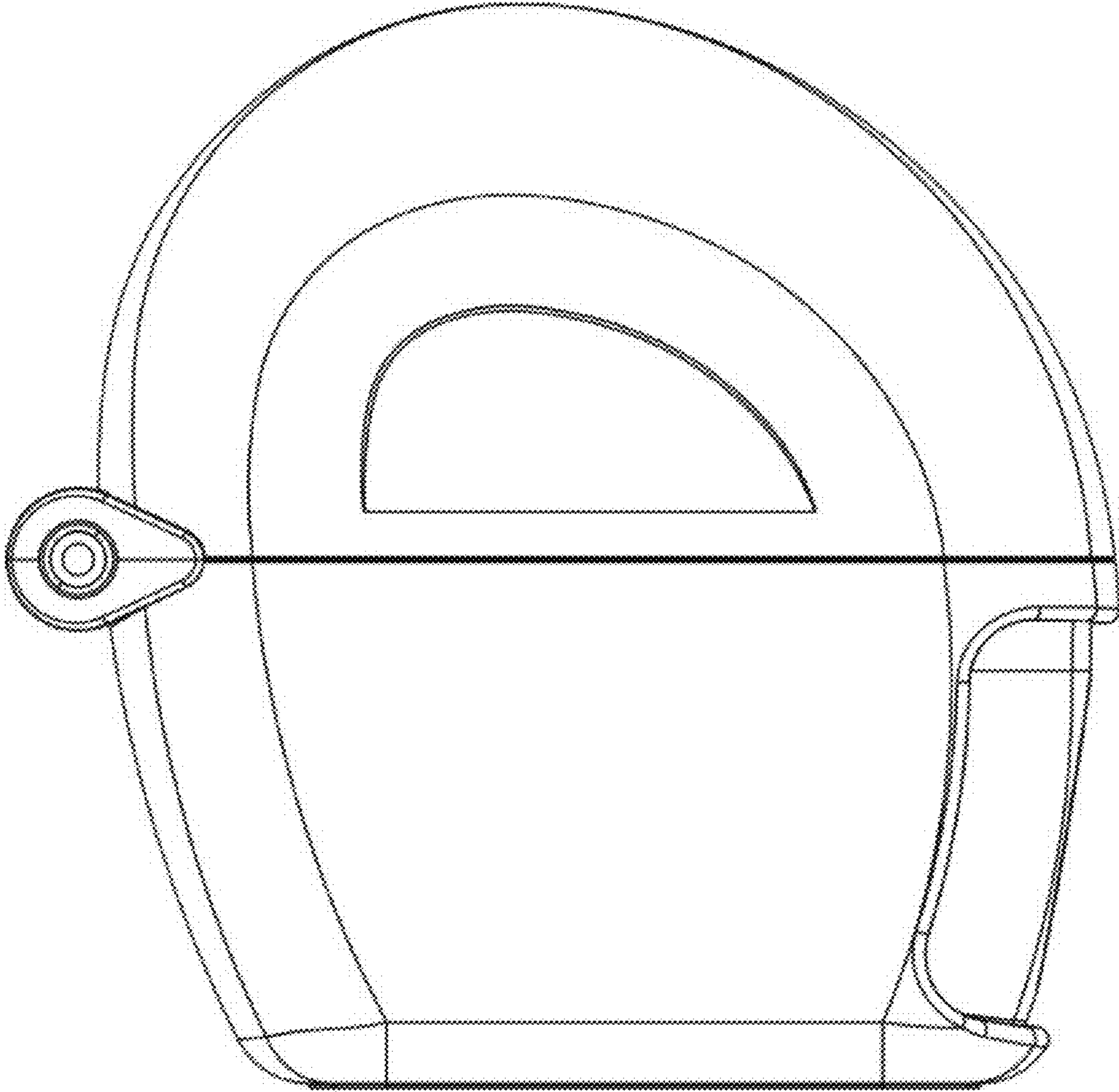


FIG 1

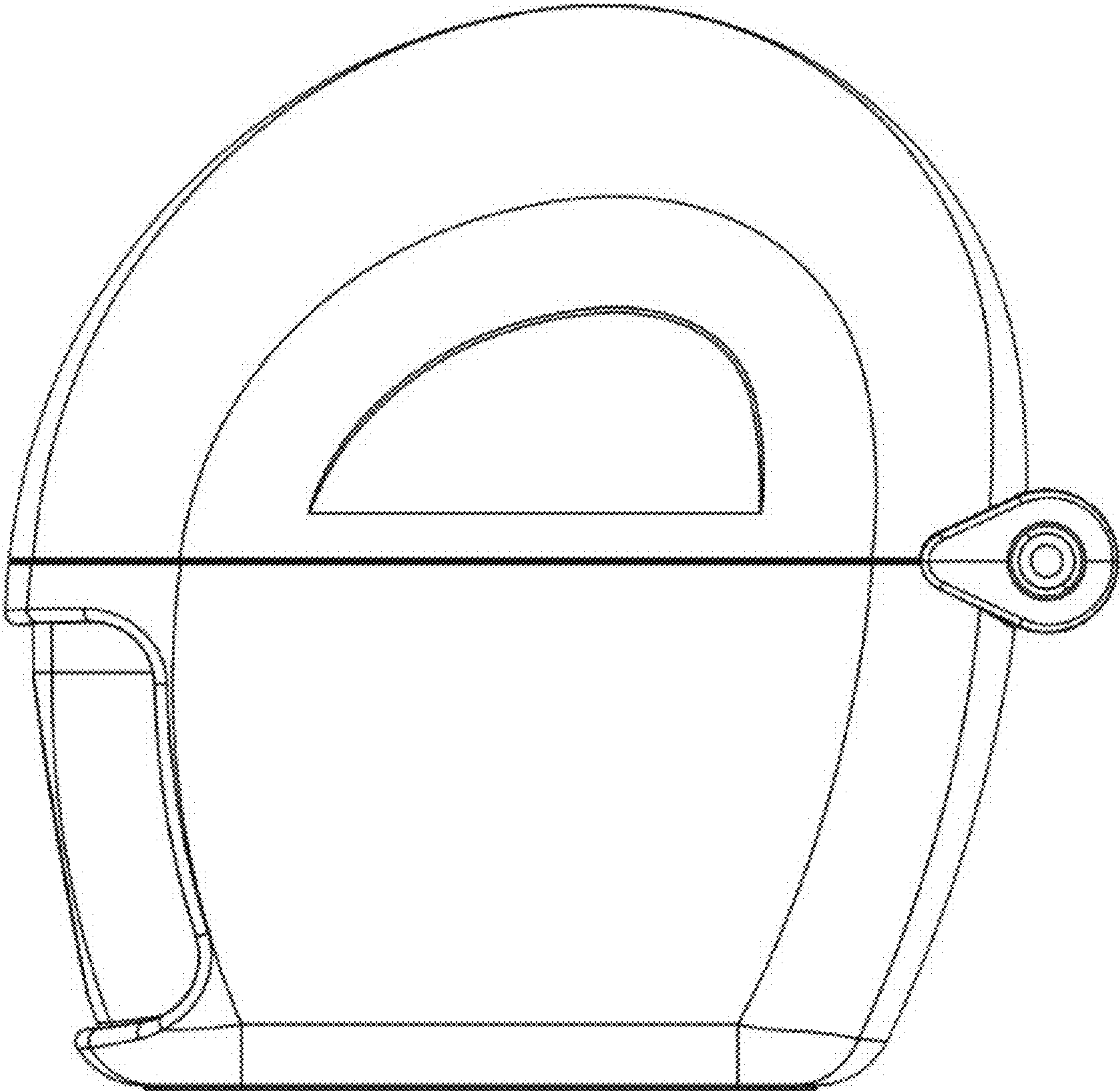


FIG 2

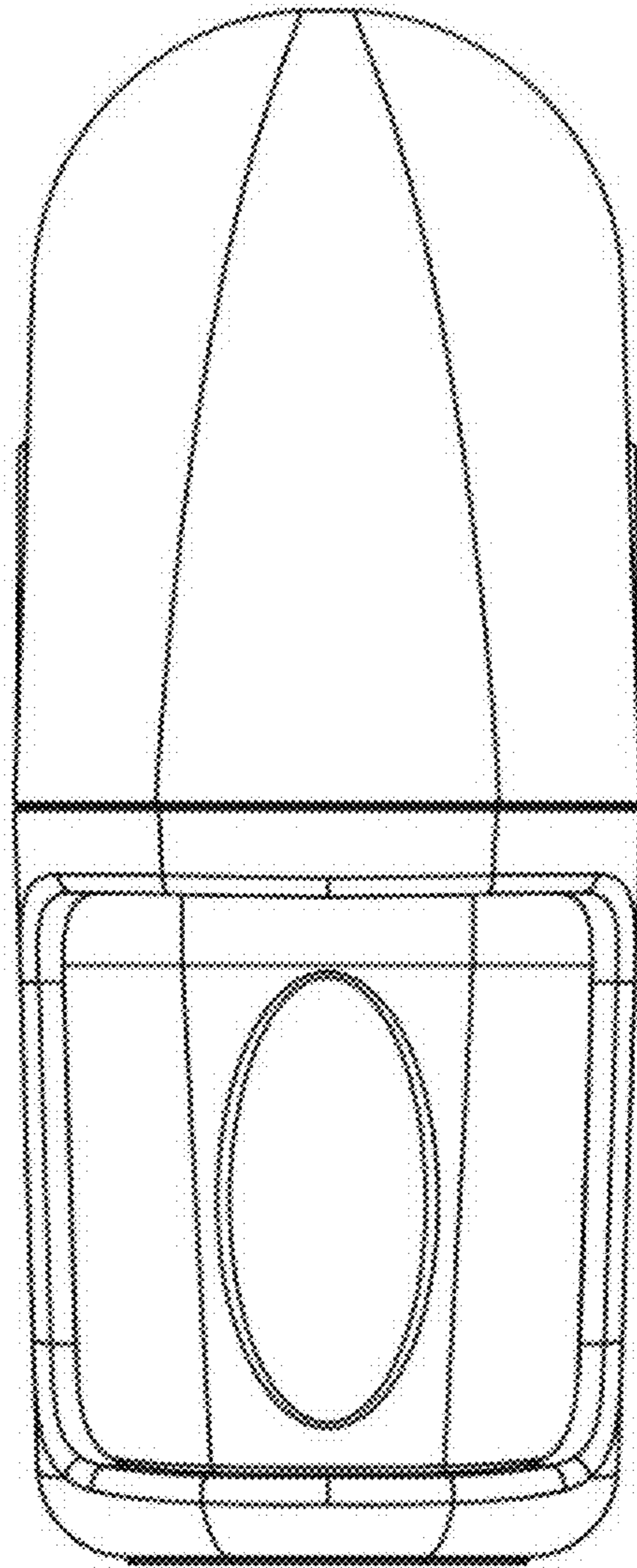


FIG 3

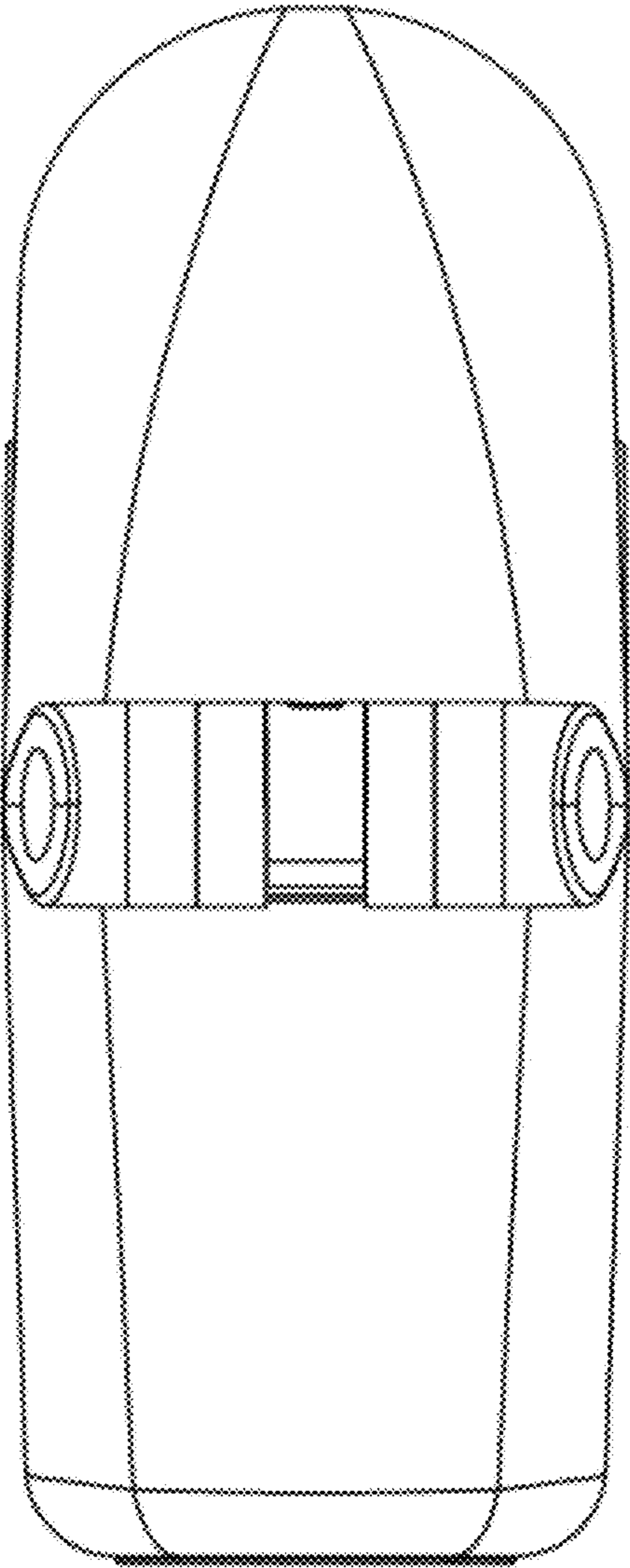


FIG 4

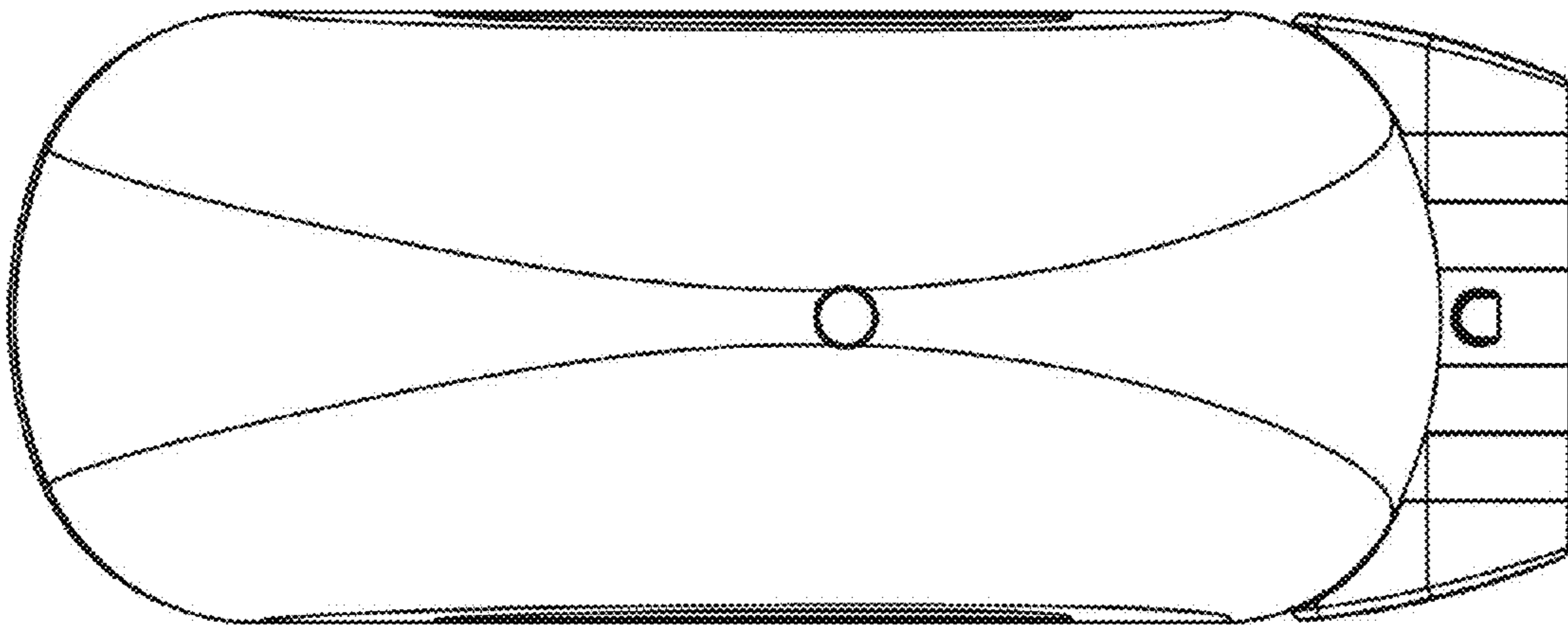


FIG 5

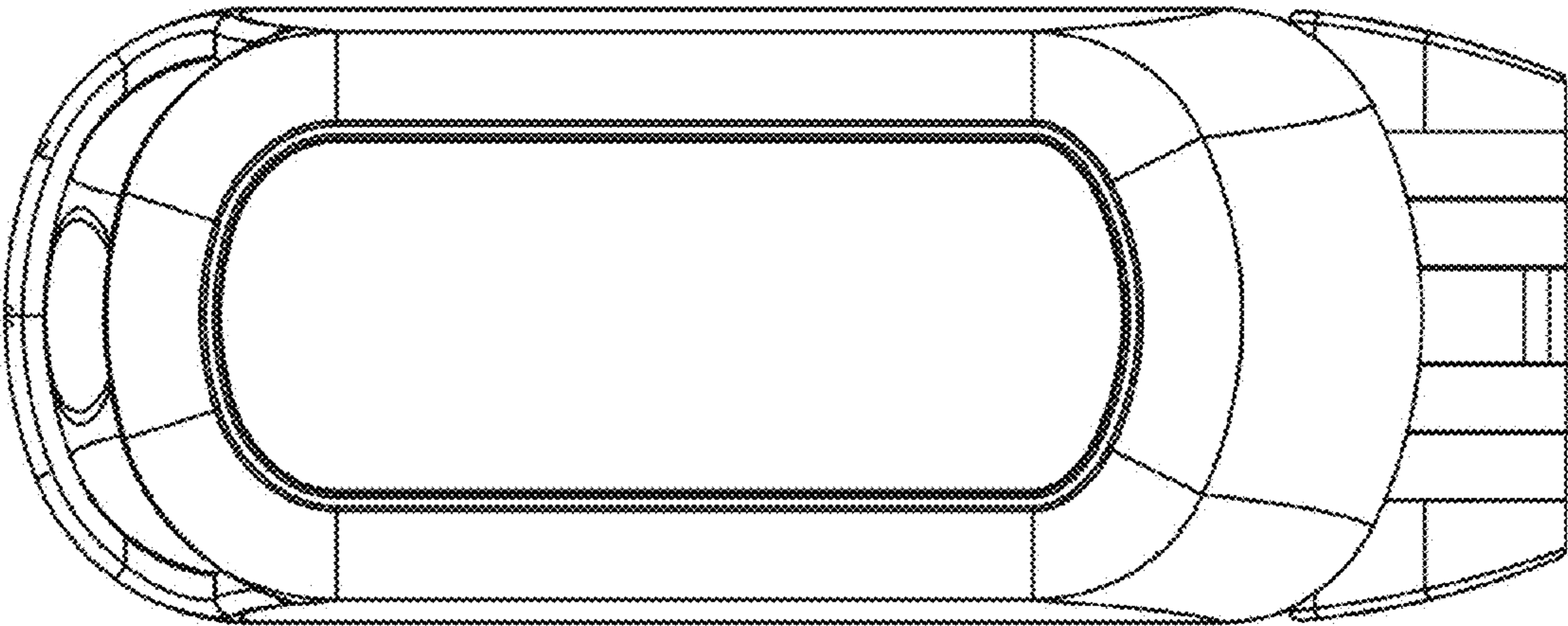


FIG 6



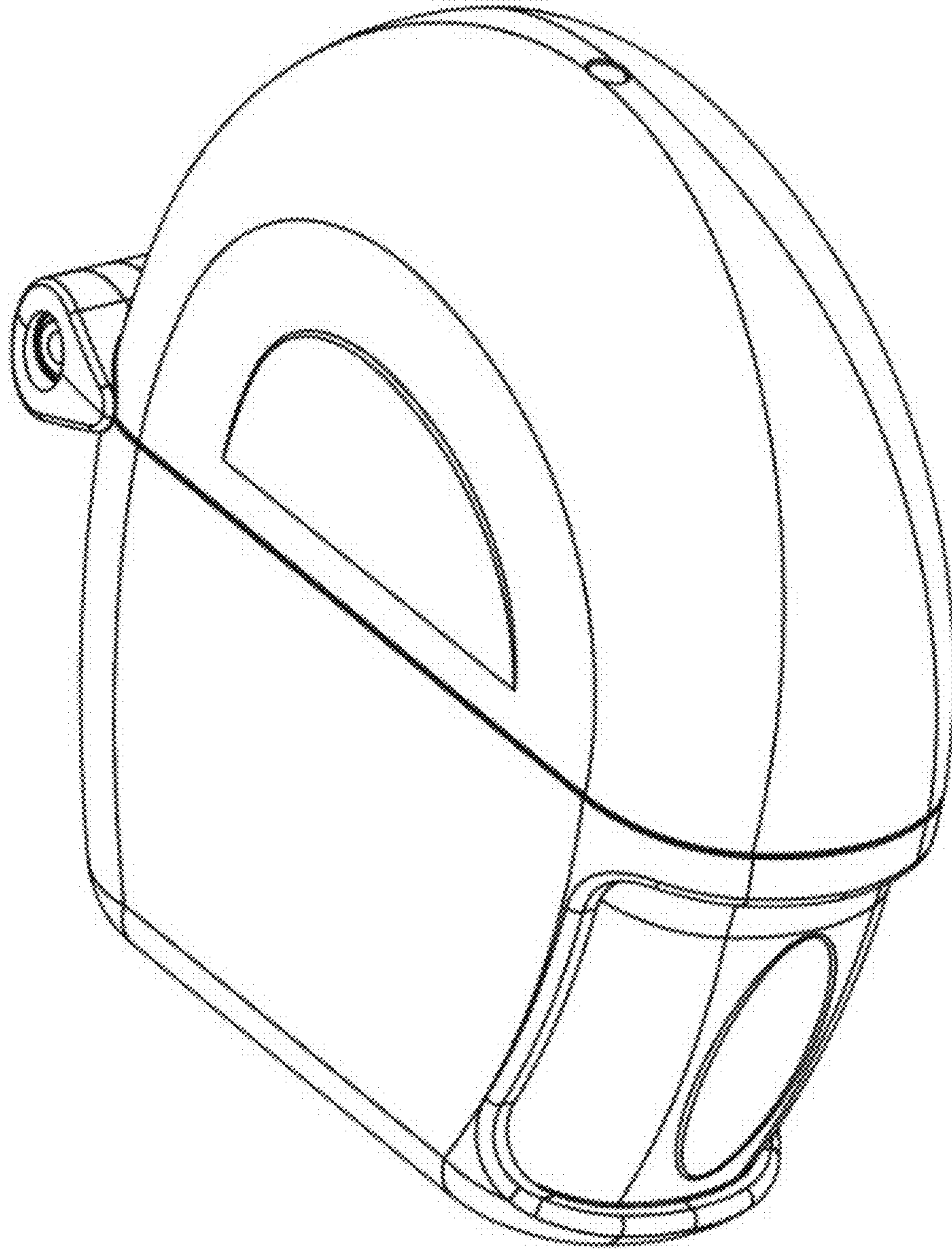


FIG 7