



US00D744086S

(12) **United States Design Patent**
Yamashita

(10) **Patent No.:** **US D744,086 S**

(45) **Date of Patent:** **** Nov. 24, 2015**

(54) **BREAST PUMP**

(71) Applicant: **PIGEON CORPORATION**, Chuo-ku,
Tokyo (JP)

(72) Inventor: **Daisuke Yamashita**, Tokyo (JP)

(73) Assignee: **PIGEON CORPORATION**, Tokyo (JP)

(**) Term: **14 Years**

(21) Appl. No.: **29/490,590**

(22) Filed: **May 12, 2014**

(30) **Foreign Application Priority Data**

Nov. 15, 2013 (JP) 2013-026793

(51) **LOC (10) Cl.** **24-02**

(52) **U.S. Cl.**
USPC **D24/109**

(58) **Field of Classification Search**
USPC D24/107, 108, 109, 111, 185, 186
CPC A61M 1/062; A61M 1/06; A61M 1/066;
A61M 1/064; A61M 1/0037
See application file for complete search history.

(56) **References Cited**

U.S. PATENT DOCUMENTS

D484,970 S * 1/2004 Renz et al. D24/109
D540,939 S * 4/2007 Pukall et al. D24/109

D565,174 S * 3/2008 Pukall et al. D24/109
D573,249 S * 7/2008 Solberg D24/109
D576,268 S * 9/2008 Solberg D24/109
D576,269 S * 9/2008 Solberg D24/109
D630,313 S * 1/2011 Pidgeon et al. D24/108
D681,802 S * 5/2013 Marks D24/109
D683,843 S * 6/2013 Cudworth D24/109
D695,885 S * 12/2013 Thomas D24/109
9,050,404 B2 * 6/2015 Silver et al. 1/1
2004/0024352 A1 * 2/2004 Renz et al. 604/74

* cited by examiner

Primary Examiner — Deanna L Pratt

Assistant Examiner — Lilyana Bekic

(74) *Attorney, Agent, or Firm* — Sughrue Mion, PLLC

(57) **CLAIM**

The ornamental design for a breast pump, as shown and described.

DESCRIPTION

FIG. 1 is a perspective view of front, bottom and right side of a breast pump showing my new design;
FIG. 2 is a front view thereof;
FIG. 3 is a left side view thereof;
FIG. 4 is a right side view thereof;
FIG. 5 is a top view thereof; and,
FIG. 6 is a bottom view thereof.
The broken lines are included for the purpose of illustrating portions of the breast pump which form no part of the claimed design.

1 Claim, 4 Drawing Sheets

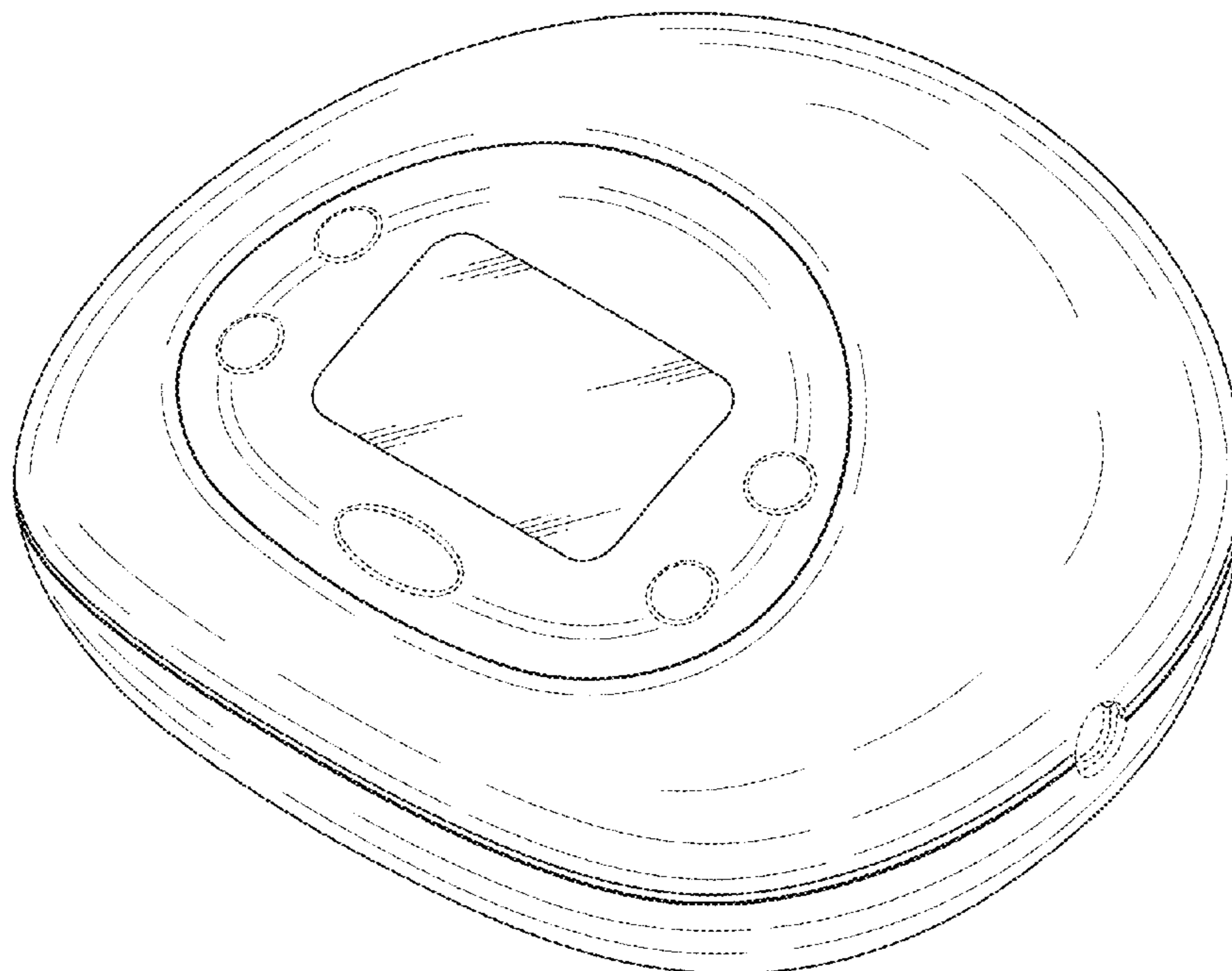


Fig. 1

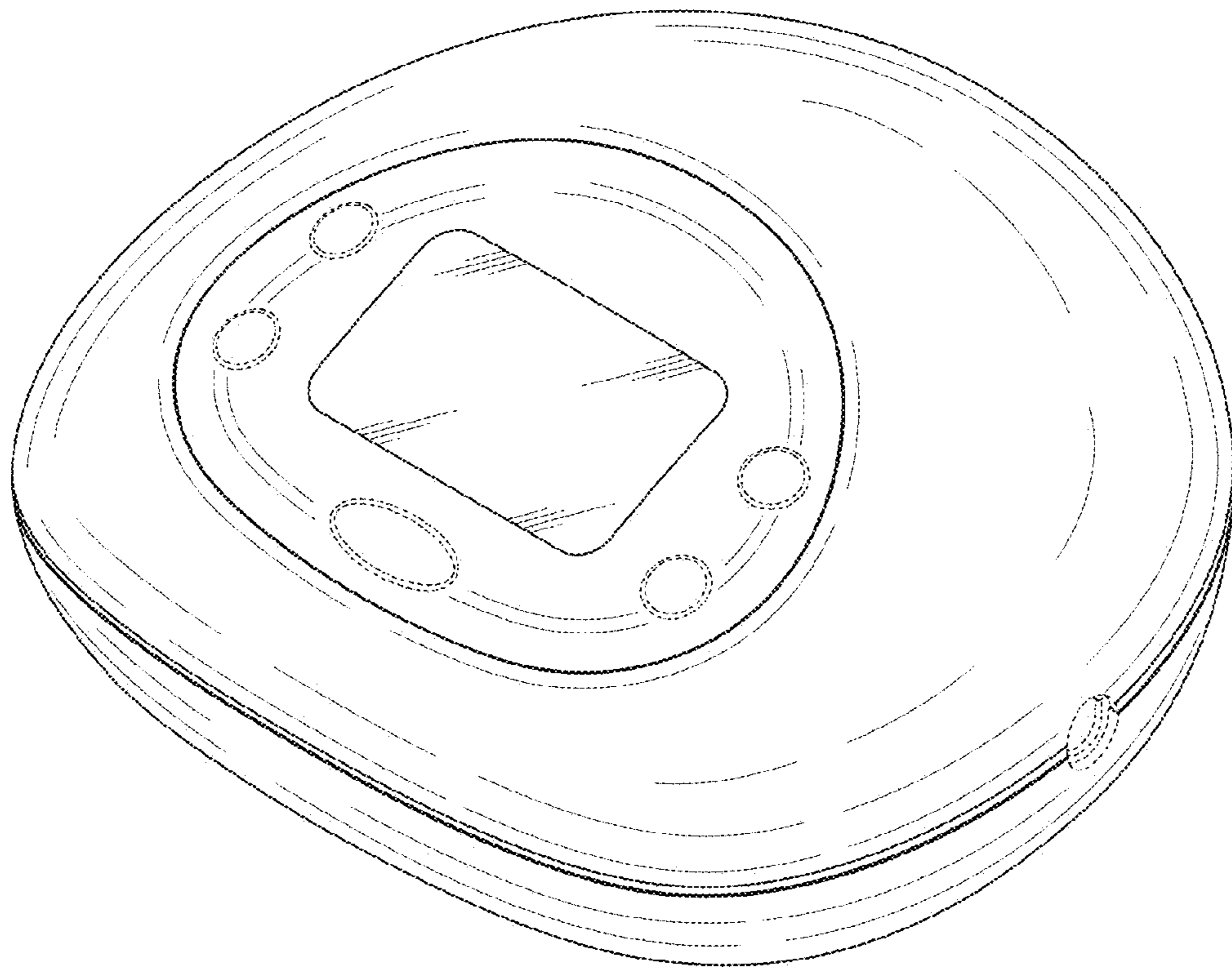


Fig. 2

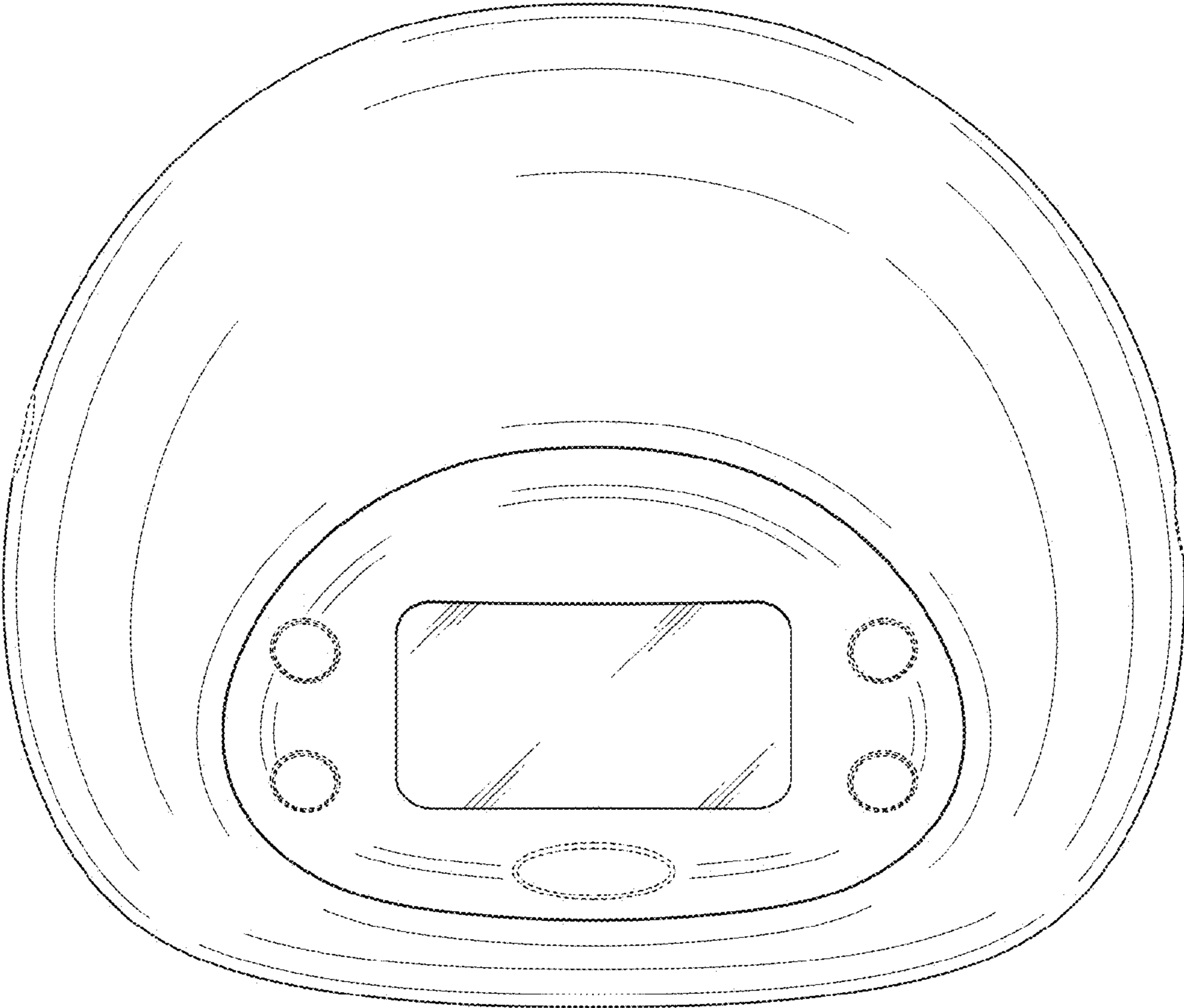


Fig. 3

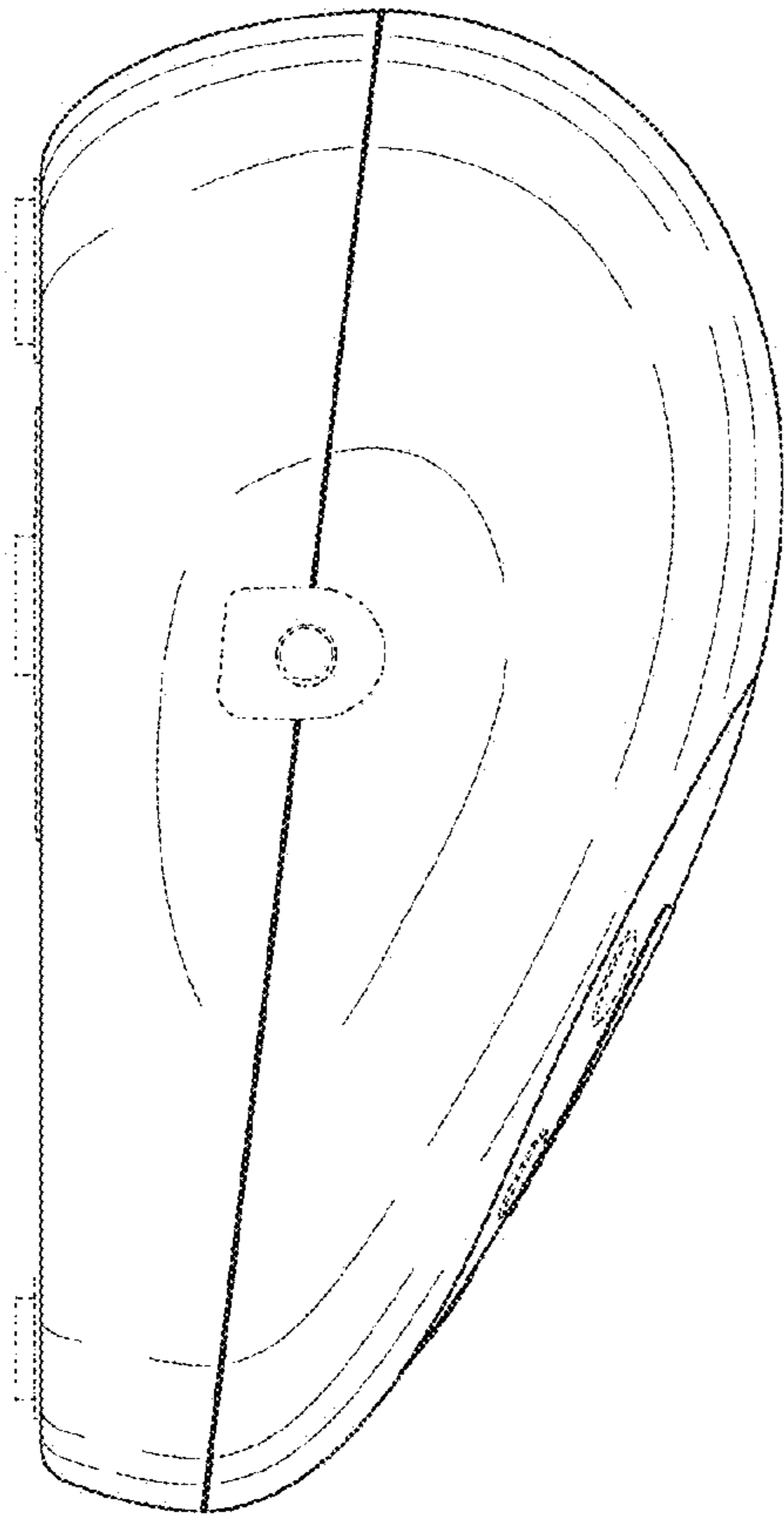


Fig. 4

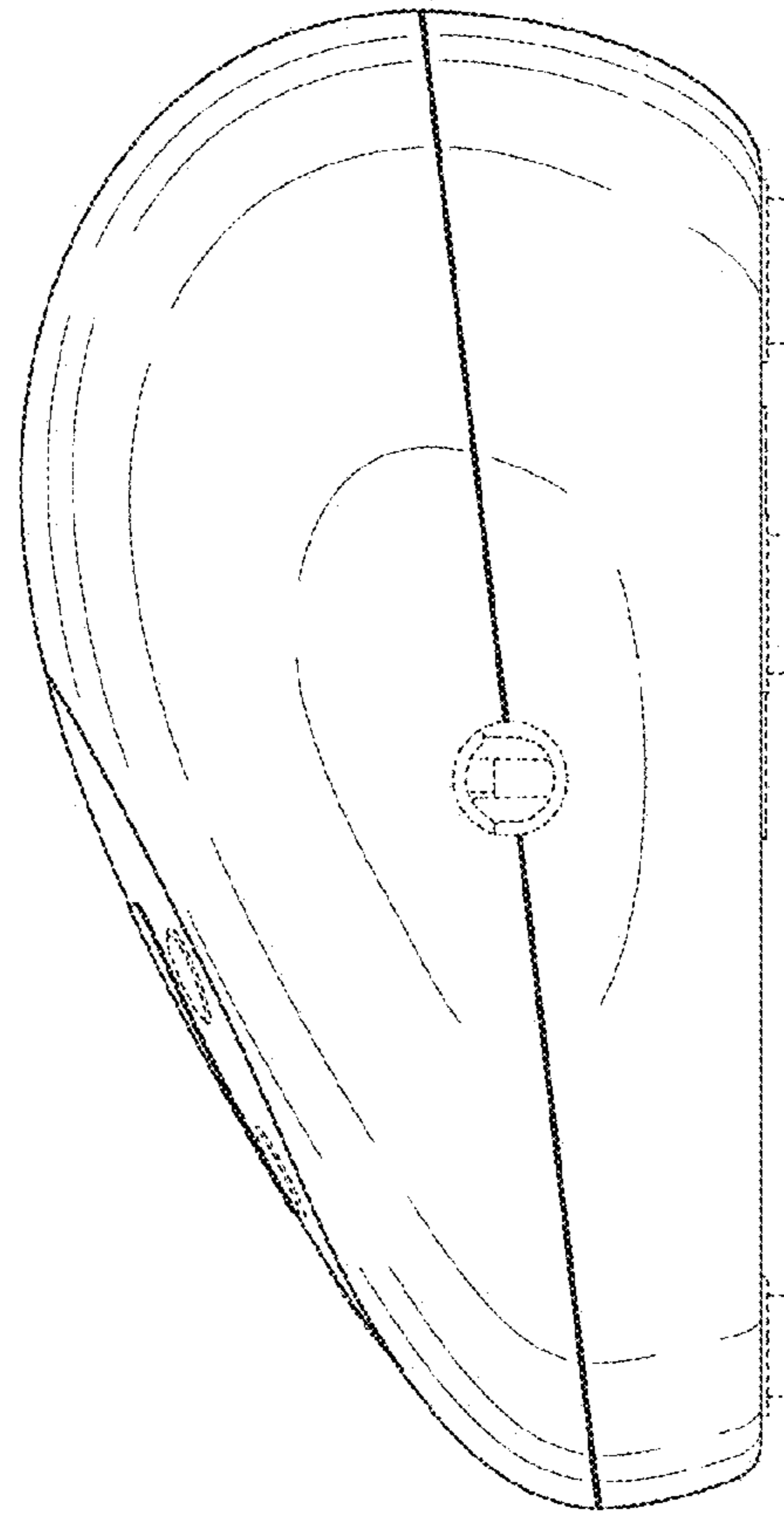


Fig. 5

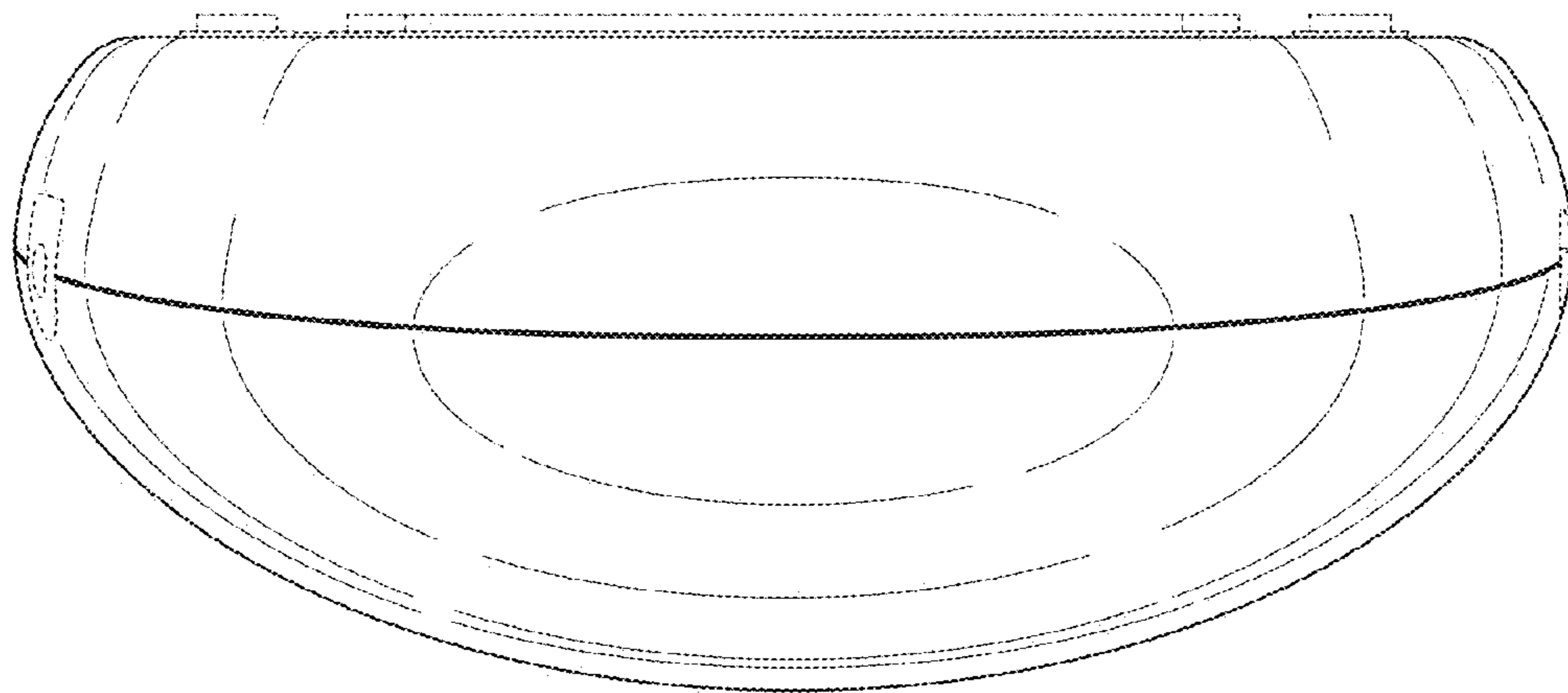


Fig. 6

