



US00D744085S

(12) **United States Design Patent**  
**Wu et al.**

(10) **Patent No.:** **US D744,085 S**

(45) **Date of Patent:** **\*\* Nov. 24, 2015**

(54) **FAN BLADE**

F04D 29/703; F04D 17/162; F04D 25/0613;  
H01L 23/467; B64C 11/16

(71) Applicant: **ASUSTeK COMPUTER INC.**, Taipei  
(TW)

See application file for complete search history.

(72) Inventors: **Ming-Hsiu Wu**, Taipei (TW);  
**Sung-Chuan Huang**, Taipei (TW);  
**Yi-Chi Lai**, Taipei (TW); **Ta-Ching Kuan**, Taipei (TW)

(56) **References Cited**

U.S. PATENT DOCUMENTS

90,468 A \* 5/1869 Smith ..... 416/189  
104,579 A \* 6/1870 Greenwell ..... 416/189

(Continued)

(73) Assignee: **ASUSTeK COMPUTER INC.**, Taipei  
(TW)

FOREIGN PATENT DOCUMENTS

(\*\*) Term: **14 Years**

JP S5747187 \* 3/1982 ..... F04D 29/28  
TW KR 201504529 \* 2/2015 ..... F04D 25/08

(21) Appl. No.: **29/509,896**

*Primary Examiner* — Susan Bennett Hattan

(22) Filed: **Nov. 21, 2014**

*Assistant Examiner* — Marie Fast Horse

**Related U.S. Application Data**

(62) Division of application No. 29/478,313, filed on Jan. 3,  
2014.

(74) *Attorney, Agent, or Firm* — Muncy, Geissler, Olds &  
Lowe, P.C.

(30) **Foreign Application Priority Data**

Jul. 25, 2013 (TW) ..... 102126681 A

(51) **LOC (10) Cl.** ..... **23-04**

(52) **U.S. Cl.**  
USPC ..... **D23/413**

(58) **Field of Classification Search**  
USPC ..... D23/336, 342, 370-379, 411, 499;  
415/68, 90, 110, 119, 126, 148, 182.1,  
415/183, 200, 207, 208.1, 208.2, 214.1,  
415/220, 230, 203; 416/436 R, 100, 132 R,  
416/144, 179, 204 R, 214 R, 223 R, 236 A,  
416/243, 244 R, 246, 247 R, 185, 242;  
417/84, 177, 198, 313, 423.1, 423.14,  
417/234; D15/7; D21/430, 436, 442, 447,  
D21/450, 453, 458; 361/695  
CPC ..... F04D 29/281; F04D 29/30; F04D 29/325;  
F04D 29/422; F04D 29/4226; F04D 29/4213;  
F04D 29/4233; F04D 29/582; F04D 29/681;

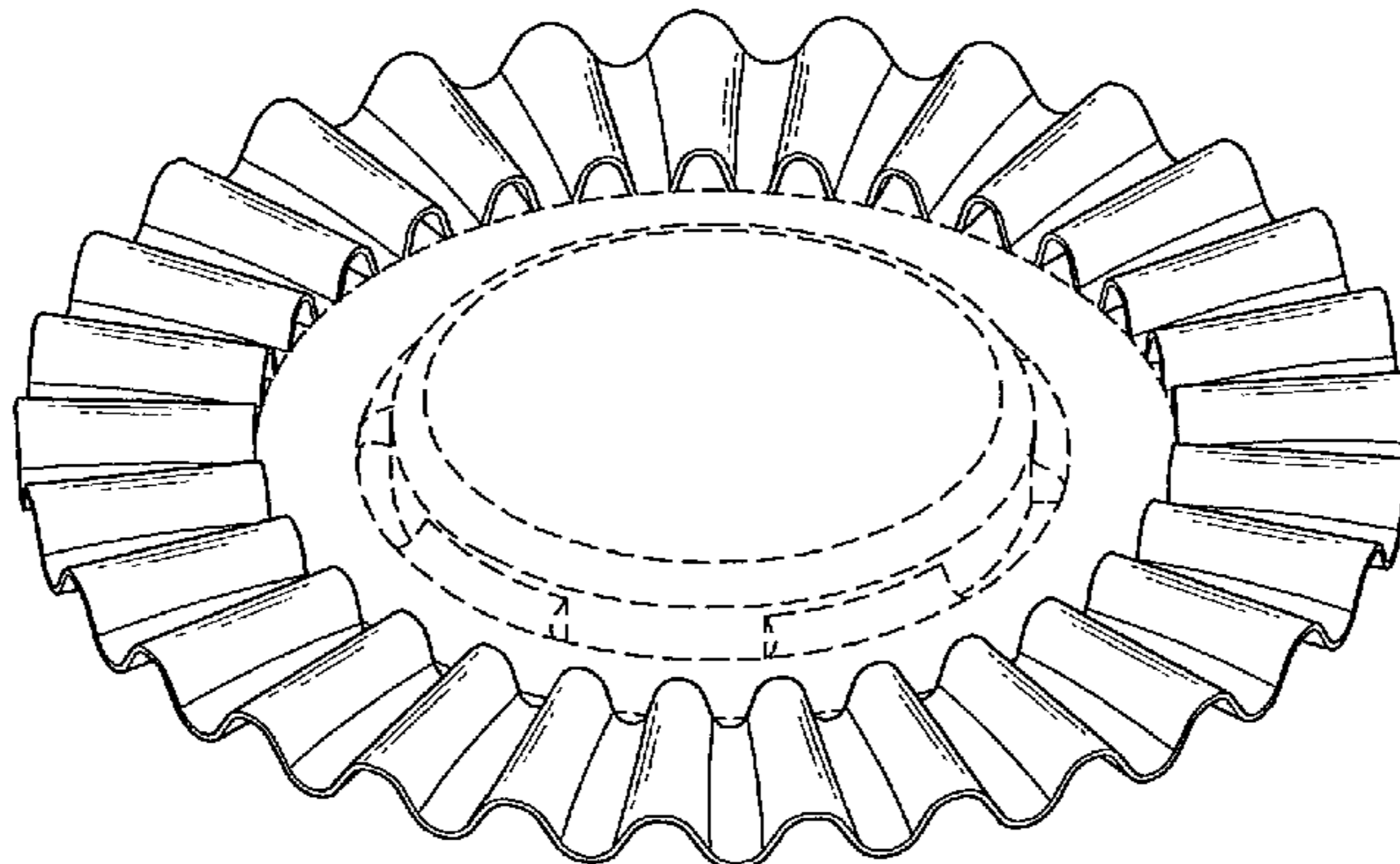
(57) **CLAIM**

We claim the ornamental design for a fan blade, as shown and  
described.

**DESCRIPTION**

FIG. 1 is a top perspective view of the fan blade according to  
our new design;  
FIG. 2 is a front elevational view thereof;  
FIG. 3 is a rear elevational view thereof;  
FIG. 4 is a left side elevational view thereof;  
FIG. 5 is a right side elevational view thereof;  
FIG. 6 is a top plan view thereof;  
FIG. 7 is a bottom plan view thereof; and,  
FIG. 8 is a perspective view of the design applying on a  
centrifugal fan.  
The broken lines showing the fan hub in FIGS. 1-8 and the  
centrifugal fan case in FIG. 8 depict environmental structure  
only and form no part of the claimed design.

**1 Claim, 6 Drawing Sheets**



(56)

References Cited

U.S. PATENT DOCUMENTS

327,370	A *	9/1885	Williams	.....	416/189	D663,411	S	7/2012	Naya et al.
D18,059	S	2/1888	Hall			D681,187	S	4/2013	Hu et al.
D19,043	S	4/1889	Rohrman			D682,411	S	5/2013	Cocks et al.
958,809	A	5/1910	Hawkins			D694,874	S	12/2013	Lin et al.
1,551,338	A	8/1925	Siegler			2003/0034151	A1	2/2003	Lopatinsky et al.
2,165,808	A	7/1939	Murhpy			2003/0159555	A1	8/2003	Perry
3,002,595	A	10/1961	Weir			2008/0286113	A1	11/2008	Yoo et al.
4,165,910	A *	8/1979	Anderson	.....	439/318	2010/0040456	A1	2/2010	Hwang et al.
4,181,208	A *	1/1980	Davis	.....	192/207	2011/0126654	A1	6/2011	Lev et al.
D258,589	S	3/1981	Sugiura			2011/0194930	A1	8/2011	Al et al.
D268,112	S	3/1983	Sugiura			2011/0286851	A1	11/2011	Benkler et al.
4,603,477	A	8/1986	Francis			2012/0114476	A1 *	5/2012	Wong et al. .... 415/208.1
4,767,277	A	8/1988	Buse			2012/0294725	A1	11/2012	Hackl et al.
D304,230	S	10/1989	Wang			2013/0108432	A1	5/2013	Desjoyeaux et al.
4,923,041	A	5/1990	Stockmar			2013/0202425	A1	8/2013	Balk
5,755,557	A	5/1998	Alizadeh			2013/0259666	A1	10/2013	Wong et al.
D461,550	S	8/2002	Hsin-mao			2013/0266434	A1	10/2013	Blackburn
D471,208	S	3/2003	Iwane			2013/0272862	A1	10/2013	Chung
D486,568	S	2/2004	Chen et al.			2014/0010642	A1	1/2014	Horst et al.
D493,216	S	7/2004	Wu et al.			2014/0010643	A1	1/2014	Buguin et al.
D506,820	S	6/2005	Meng-Suen			2014/0079541	A1	3/2014	Chiou
7,136,285	B1 *	11/2006	Herbert	.....	361/695	2014/0079543	A1	3/2014	Lee et al.
7,455,504	B2 *	11/2008	Hill et al.	.....	416/179	2014/0079544	A1	3/2014	Chen et al.
D591,771	S	5/2009	Jarrah			2014/0099197	A1	4/2014	Chen et al.
8,152,484	B2	4/2012	Bilodeau et al.			2014/0119909	A1	5/2014	Chiang
						2014/0133974	A1 *	5/2014	Yang et al. .... 415/206
						2014/0178184	A1	6/2014	Chou
						2015/0030441	A1 *	1/2015	Wu et al. .... 415/203

\* cited by examiner

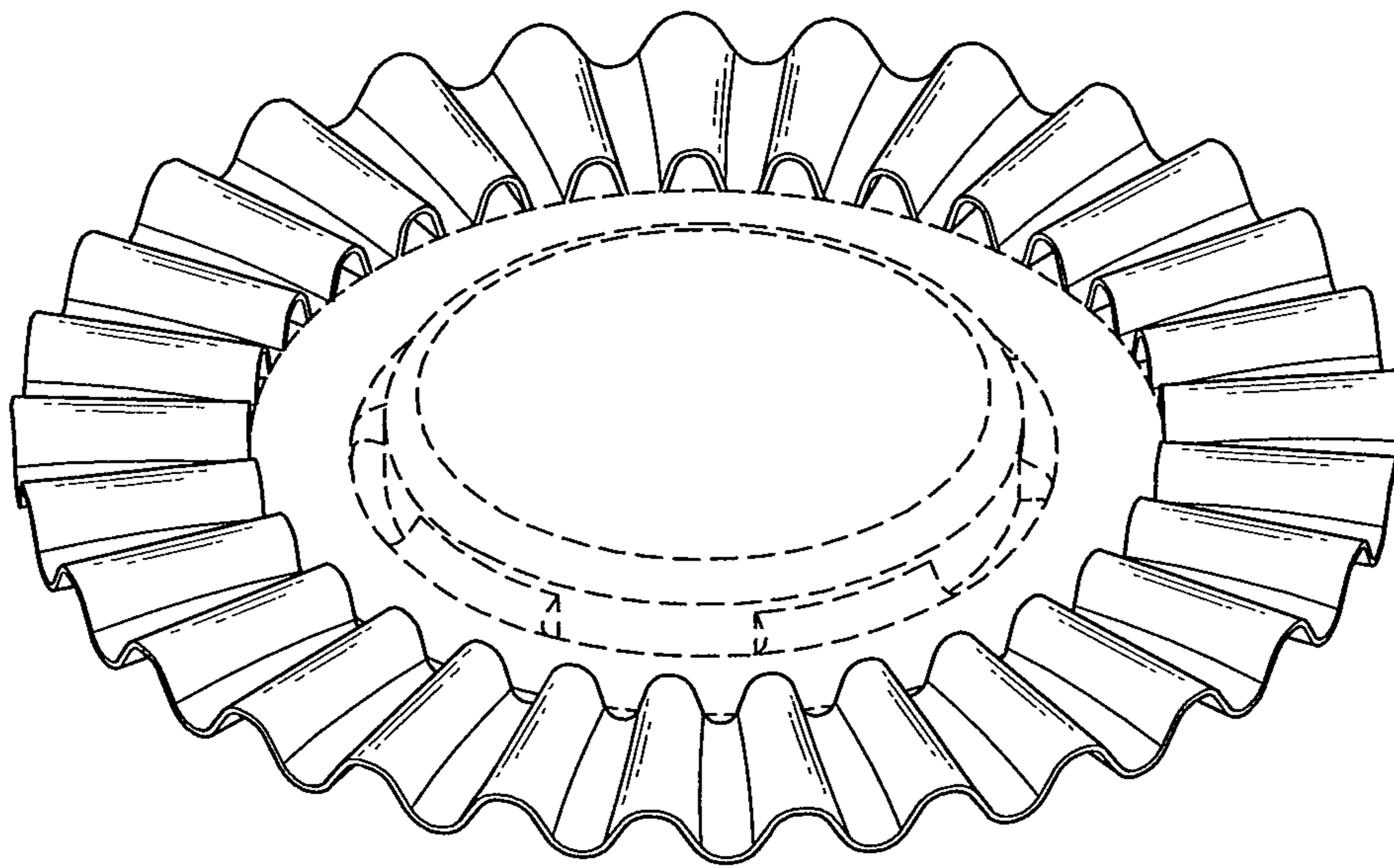


FIG.1

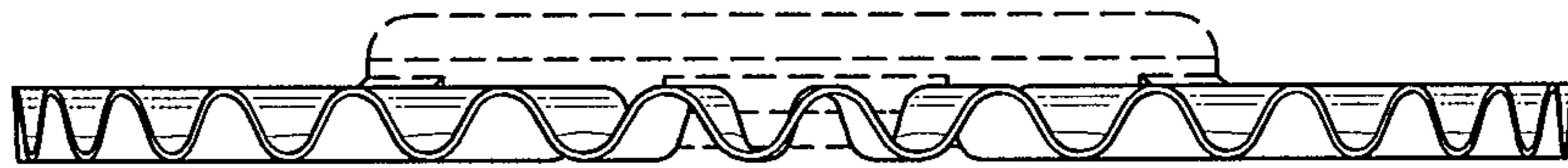


FIG. 2

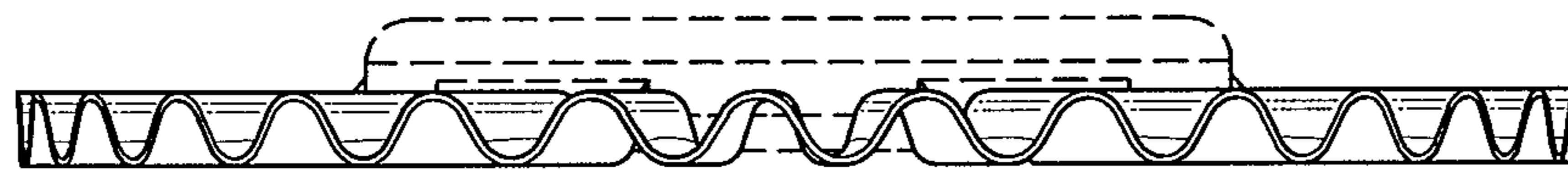


FIG. 3

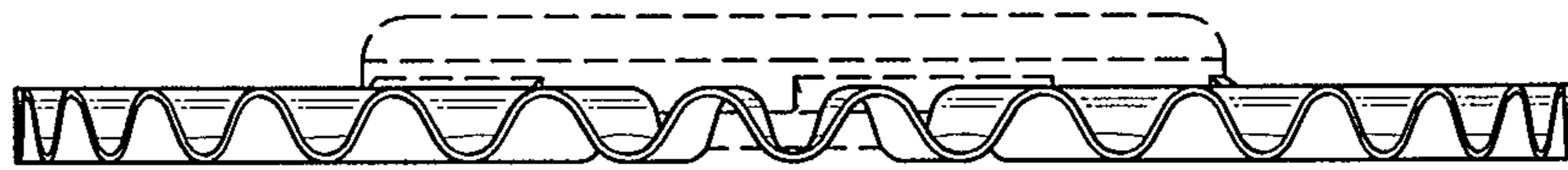


FIG.4

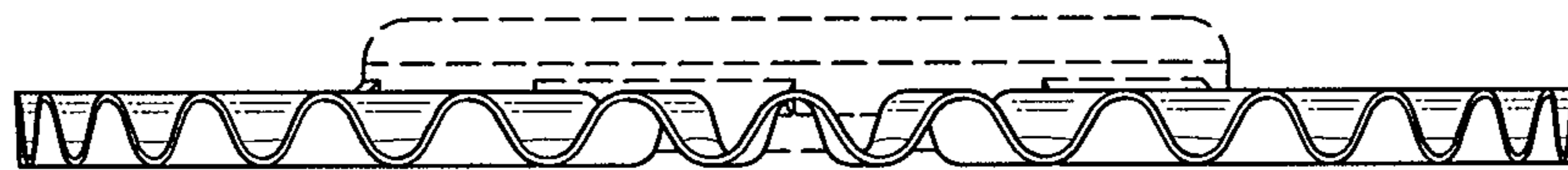


FIG.5

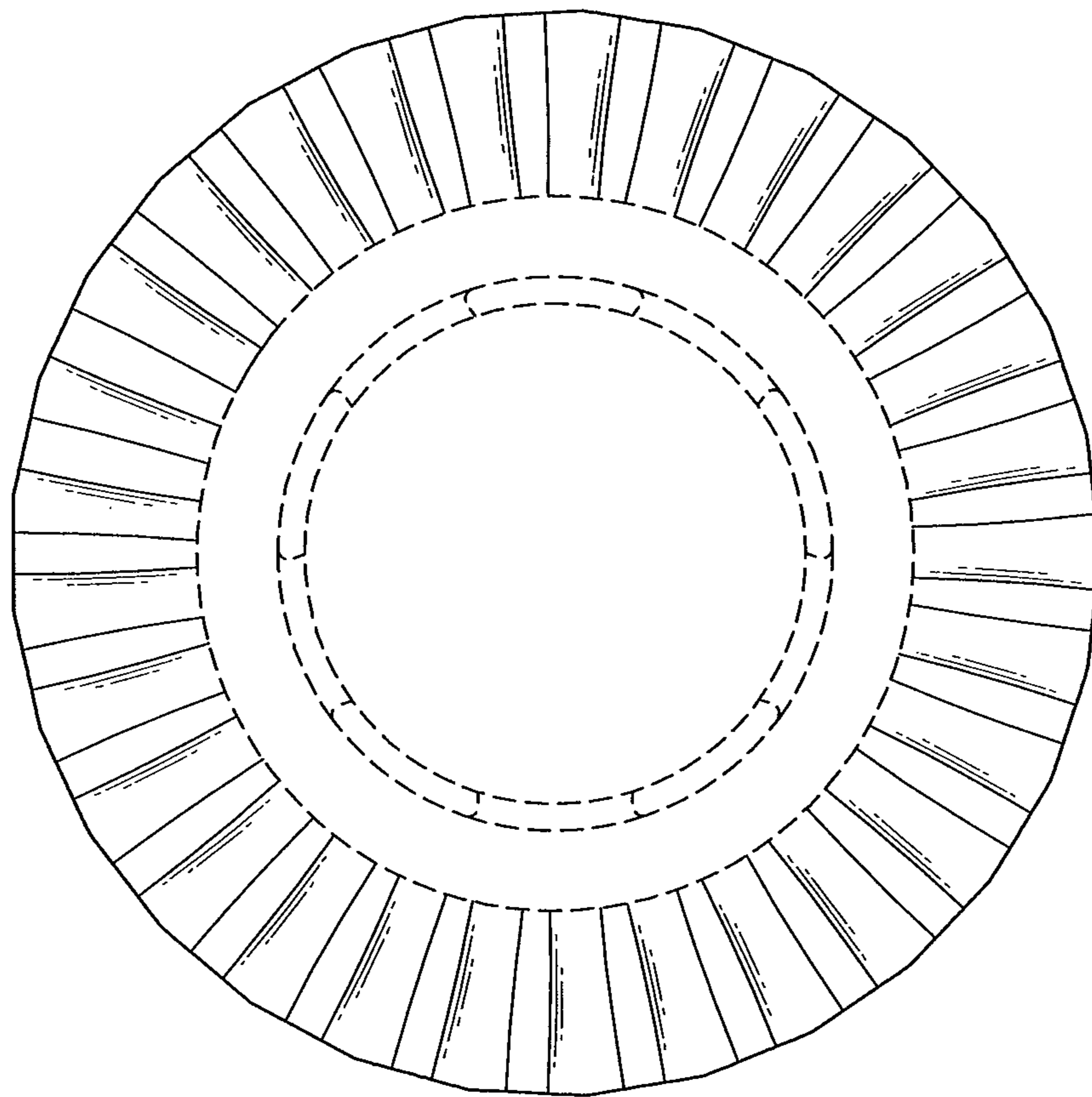


FIG.6

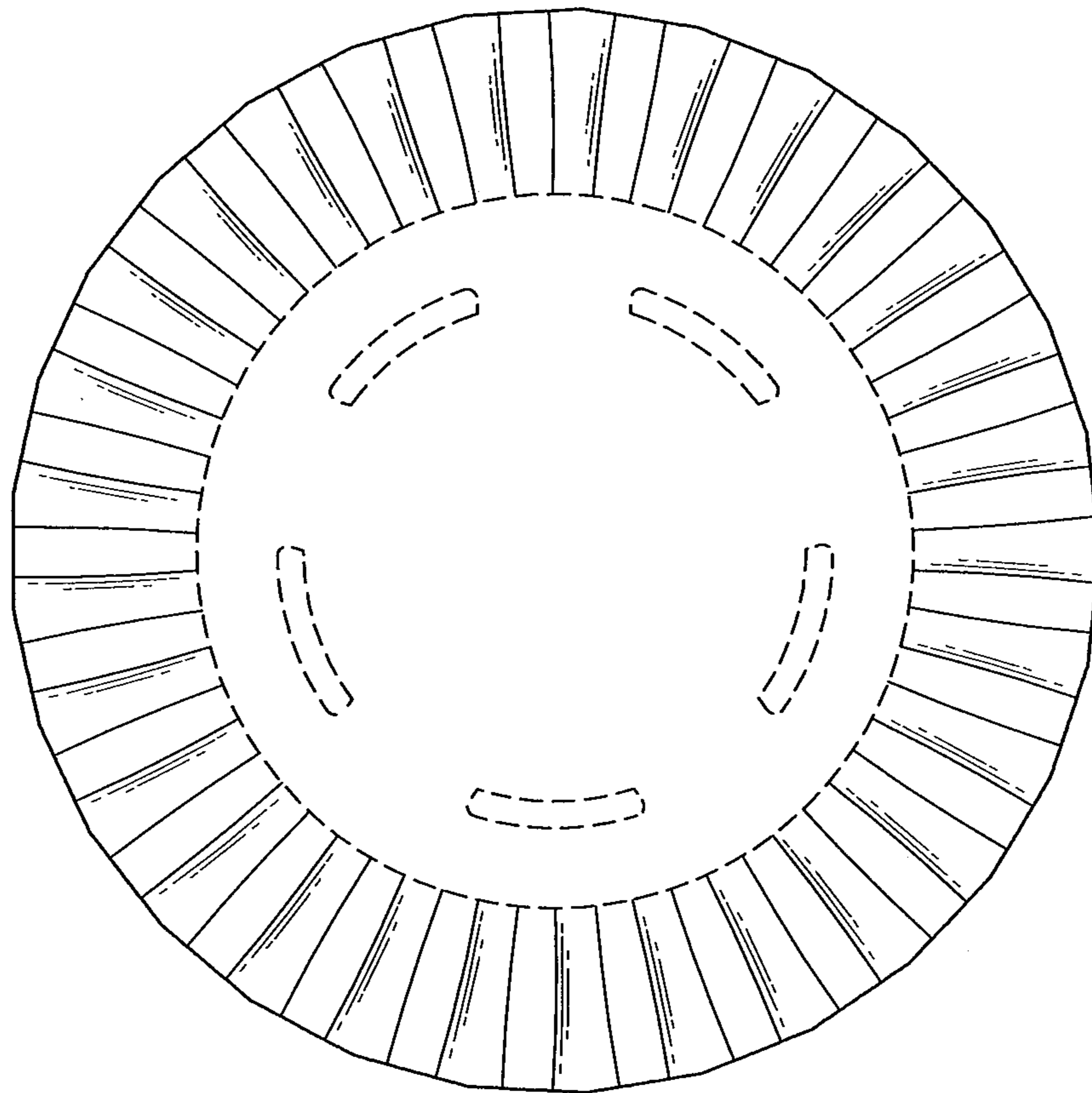


FIG. 7

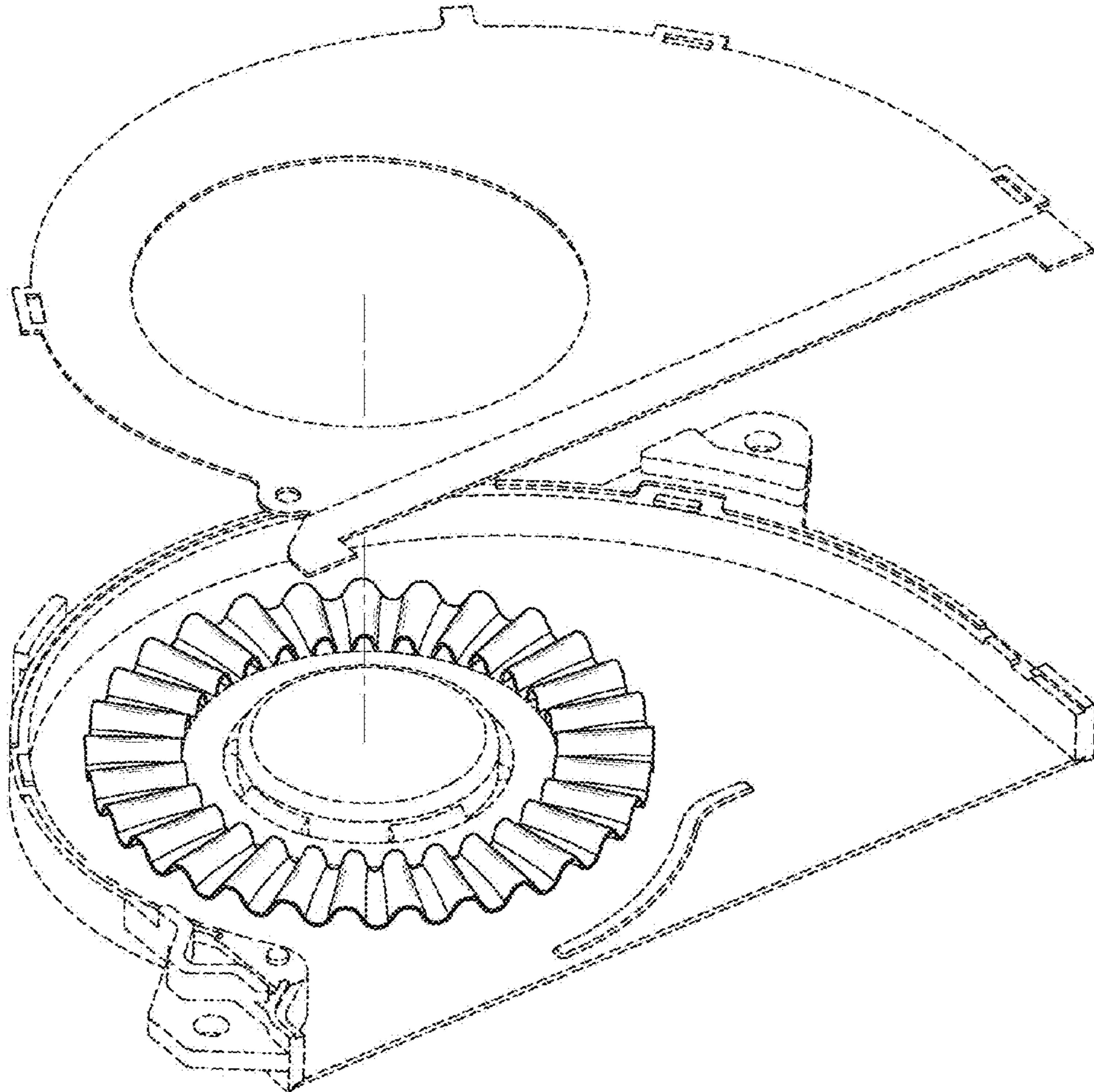


FIG.8