



US00D744083S

(12) **United States Design Patent**
Wang

(10) **Patent No.:** **US D744,083 S**
(45) **Date of Patent:** **** Nov. 24, 2015**

- (54) **CEILING FAN BLADE**
- (71) Applicant: **YOUNGO LIMITED**, Hong Kong (CN)
- (72) Inventor: **Cliff Wang**, Taichung (TW)
- (73) Assignee: **YOUNGO LIMITED**, Hong Kong (CN)
- (**) Term: **14 Years**
- (21) Appl. No.: **29/504,369**
- (22) Filed: **Oct. 5, 2014**
- (51) **LOC (10) Cl.** **23-04**
- (52) **U.S. Cl.**
USPC **D23/413**
- (58) **Field of Classification Search**
USPC D23/370–385, 411–414, 59;
392/360–364
CPC F04D 29/34; F04D 29/38; F04D 25/088
See application file for complete search history.

- D427,672 S * 7/2000 Lee D23/377
- D671,202 S * 11/2012 Searle D23/377
- D715,418 S * 10/2014 Schulzman D23/377
- 2008/0069698 A1 * 3/2008 Laisathit F04D 25/088
416/210 R

* cited by examiner

Primary Examiner — Sandra Snapp

(74) *Attorney, Agent, or Firm* — Pai Patent & Trademark Law Firm; Chao-Chang David Pai

(57) **CLAIM**

The ornamental design for a ceiling fan blade, as shown and described.

DESCRIPTION

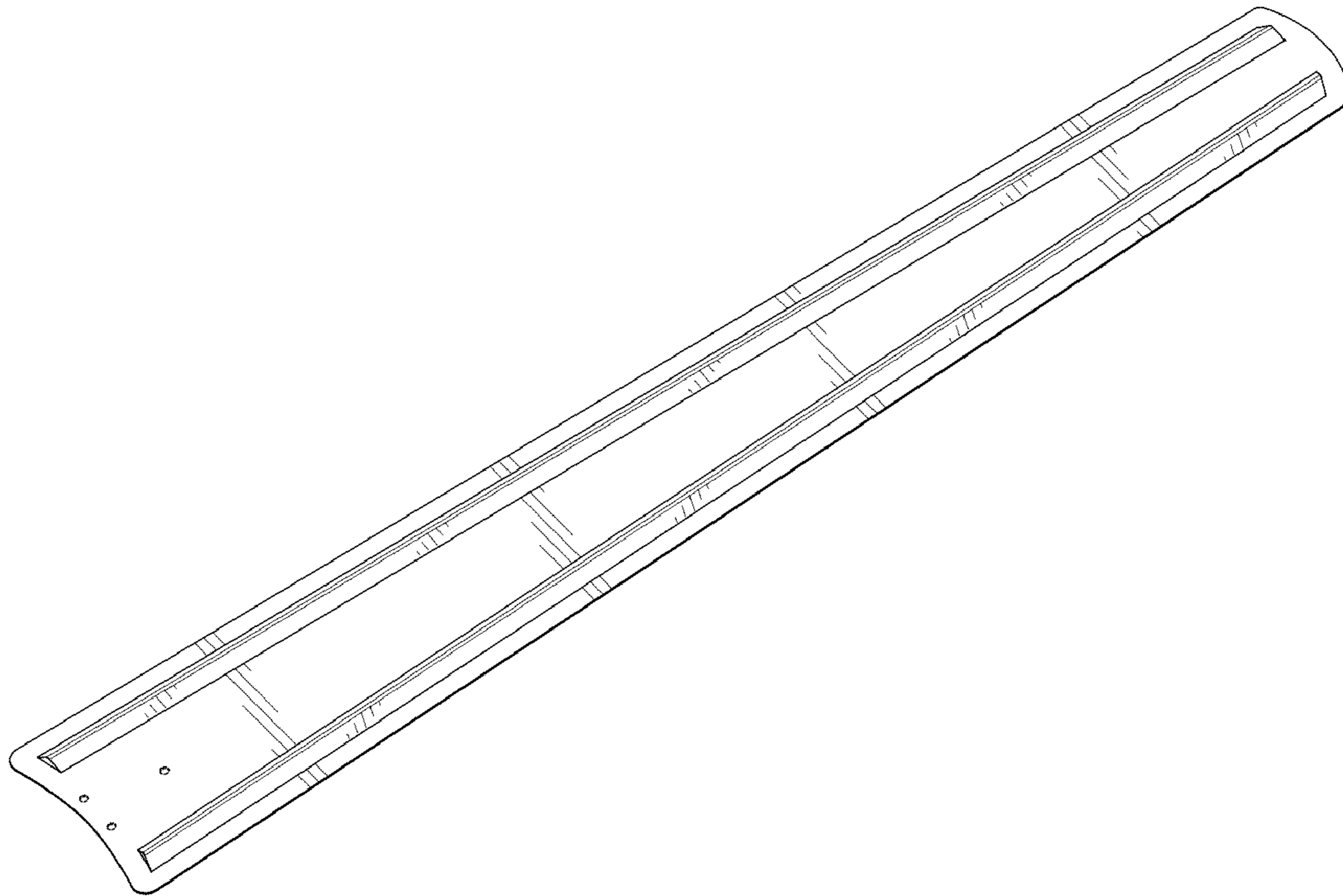
FIG. 1 is a front perspective view of a ceiling fan blade showing my new design;
 FIG. 2 is a front elevational view thereof;
 FIG. 3 is a rear elevational view thereof;
 FIG. 4 is a left side elevational view thereof;
 FIG. 5 is a right side elevational view thereof;
 FIG. 6 is a top plan view thereof;
 FIG. 7 is a bottom plan view thereof; and,
 FIG. 8 is another front perspective view thereof.
 The broken lines are for the purpose of illustrating environmental structure and form no part of the claimed design.

(56) **References Cited**

U.S. PATENT DOCUMENTS

- D377,975 S * 2/1997 Young D23/377
- 5,645,403 A * 7/1997 Bogage F04D 29/38
416/235
- 5,951,253 A * 9/1999 Gajewski F04D 25/088
416/205

1 Claim, 5 Drawing Sheets



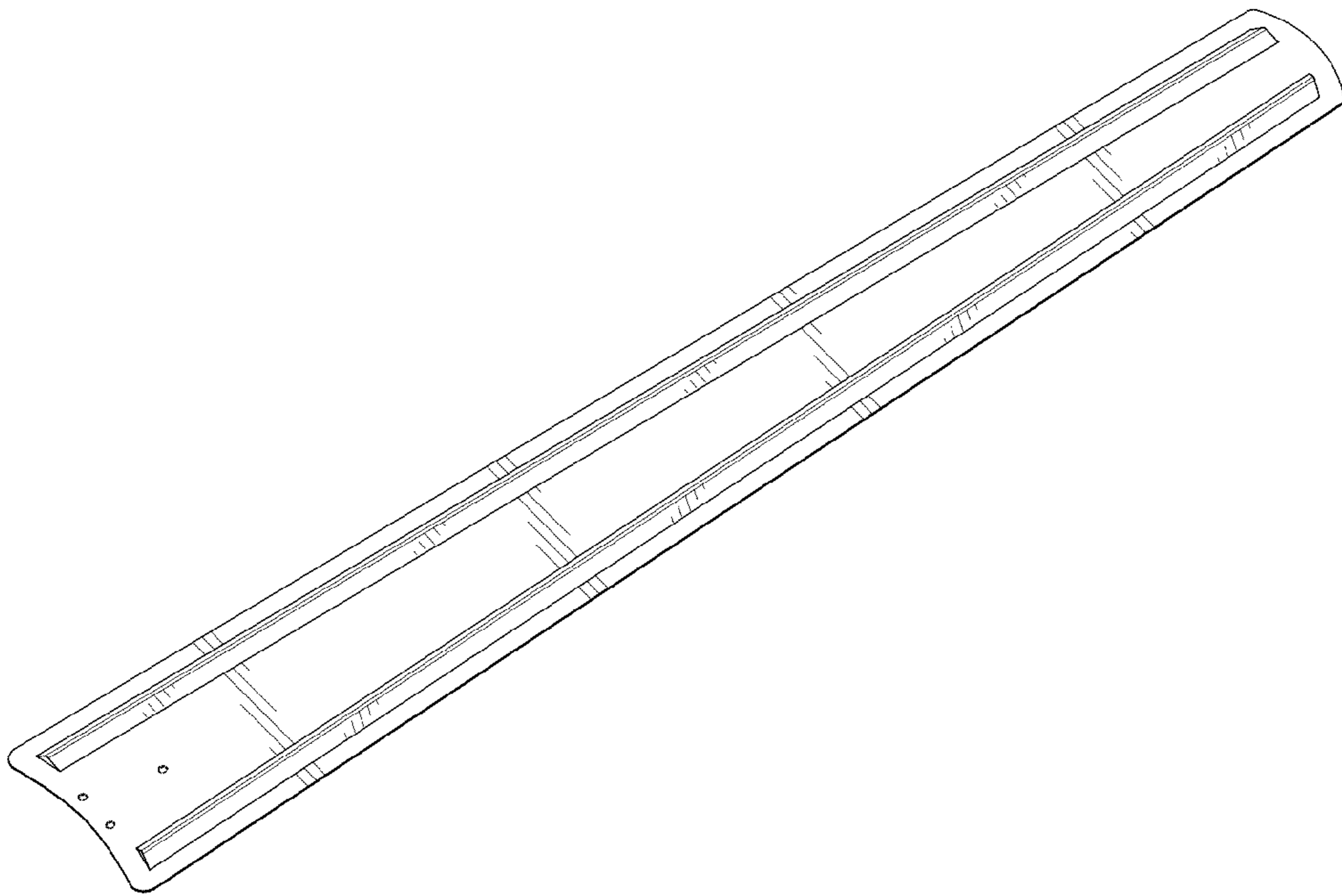


FIG. 1

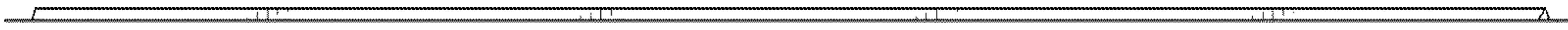


FIG. 2

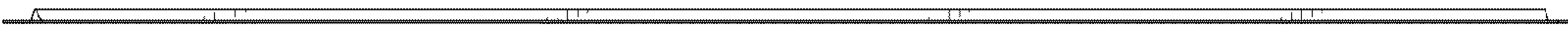


FIG. 3

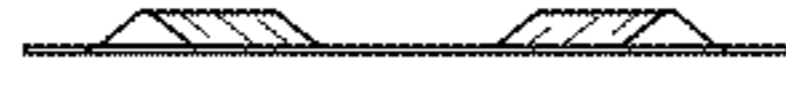


FIG. 4



FIG. 5

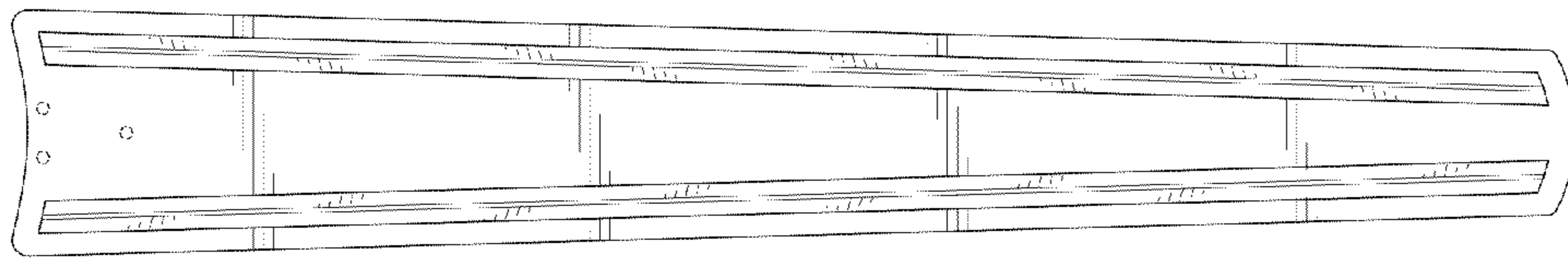


FIG. 6

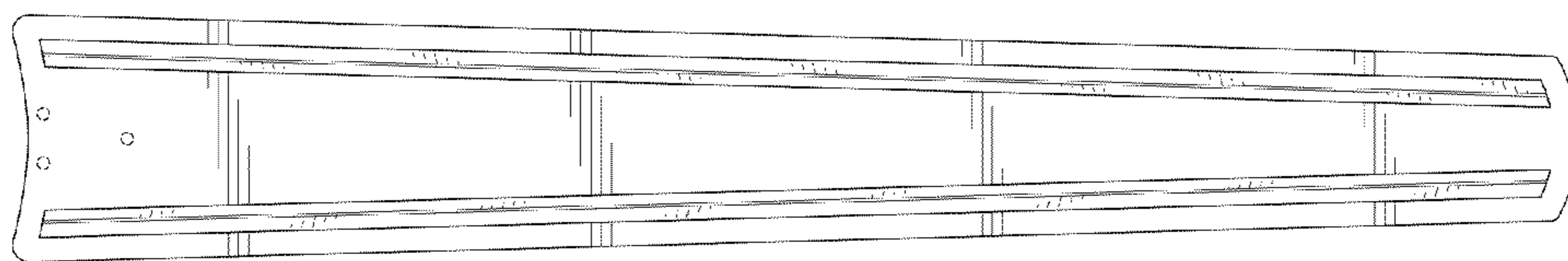


FIG. 7

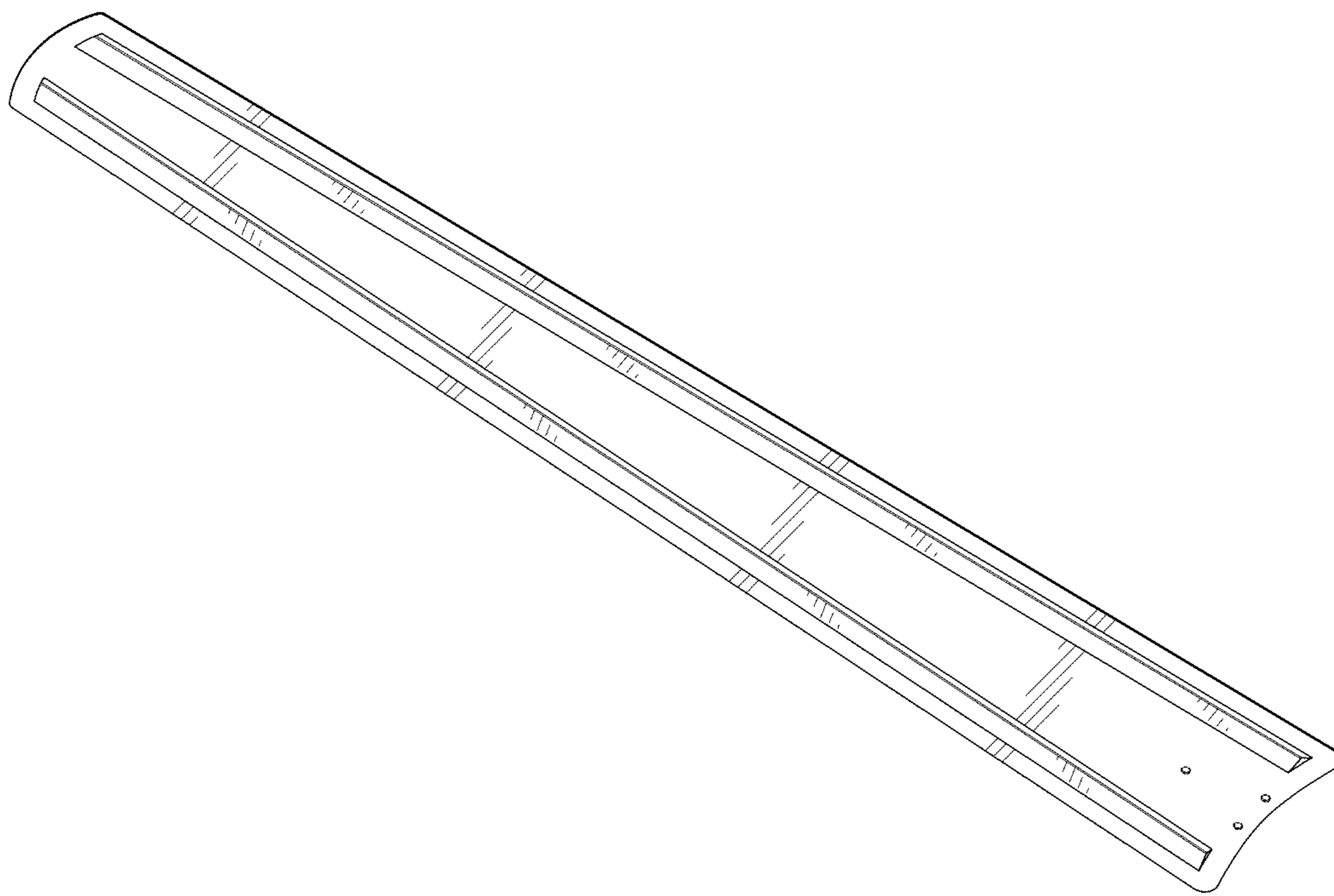


FIG. 8