



US00D744081S

(12) **United States Design Patent**
Wang

(10) **Patent No.:** **US D744,081 S**

(45) **Date of Patent:** **** Nov. 24, 2015**

(54) **CEILING FAN MOTOR HOUSING WITH LIGHT KIT**

(71) Applicant: **AIR COOL INDUSTRIAL CO., LTD.,**
Taichung (TW)

(72) Inventor: **Cilff Wang,** Taichung (TW)

(73) Assignee: **AIR COOL INDUSTRIAL CO., LTD.,**
Taichung (TW)

(**) Term: **14 Years**

(21) Appl. No.: **29/493,408**

(22) Filed: **Jun. 9, 2014**

(51) **LOC (10) Cl.** **23-04**

(52) **U.S. Cl.**
USPC **D23/411; D26/59**

(58) **Field of Classification Search**
USPC D23/377, 370-376, 378-394, 411-414,
D23/499; 416/5, 62, 170 R, 214 R, 184, 206,
416/207, 210 R, 220 R, 241 R, 244 R, 248,
416/223 R, 232, 234, 242; 417/423.1;
392/361, 364; D26/51, 59, 72, 83, 92
CPC F04D 25/088; F04D 29/00; F04D 29/005;
F04D 29/34; F04D 29/40; F21V 33/00;
F21V 33/0088; F21V 33/0096
See application file for complete search history.

(56) **References Cited**

U.S. PATENT DOCUMENTS

D525,697 S * 7/2006 Ertze D23/377
D527,451 S * 8/2006 Glasbrenner D23/377

D529,602 S * 10/2006 Glasbrenner D23/411
D594,540 S * 6/2009 Pan D23/377
D594,541 S * 6/2009 Pan D23/377
D598,091 S * 8/2009 Orozco D23/377
D621,024 S * 8/2010 Orozco D23/377
D627,869 S * 11/2010 Pan D23/377
D627,870 S * 11/2010 Wang D23/411
D671,631 S * 11/2012 Searle D23/411
D706,406 S * 6/2014 Wang D23/385
D707,344 S * 6/2014 Wang D23/411

* cited by examiner

Primary Examiner — Susan Bennett Hattan

Assistant Examiner — Marie Fast Horse

(74) *Attorney, Agent, or Firm* — Ming Chow; Sinorica, LLC

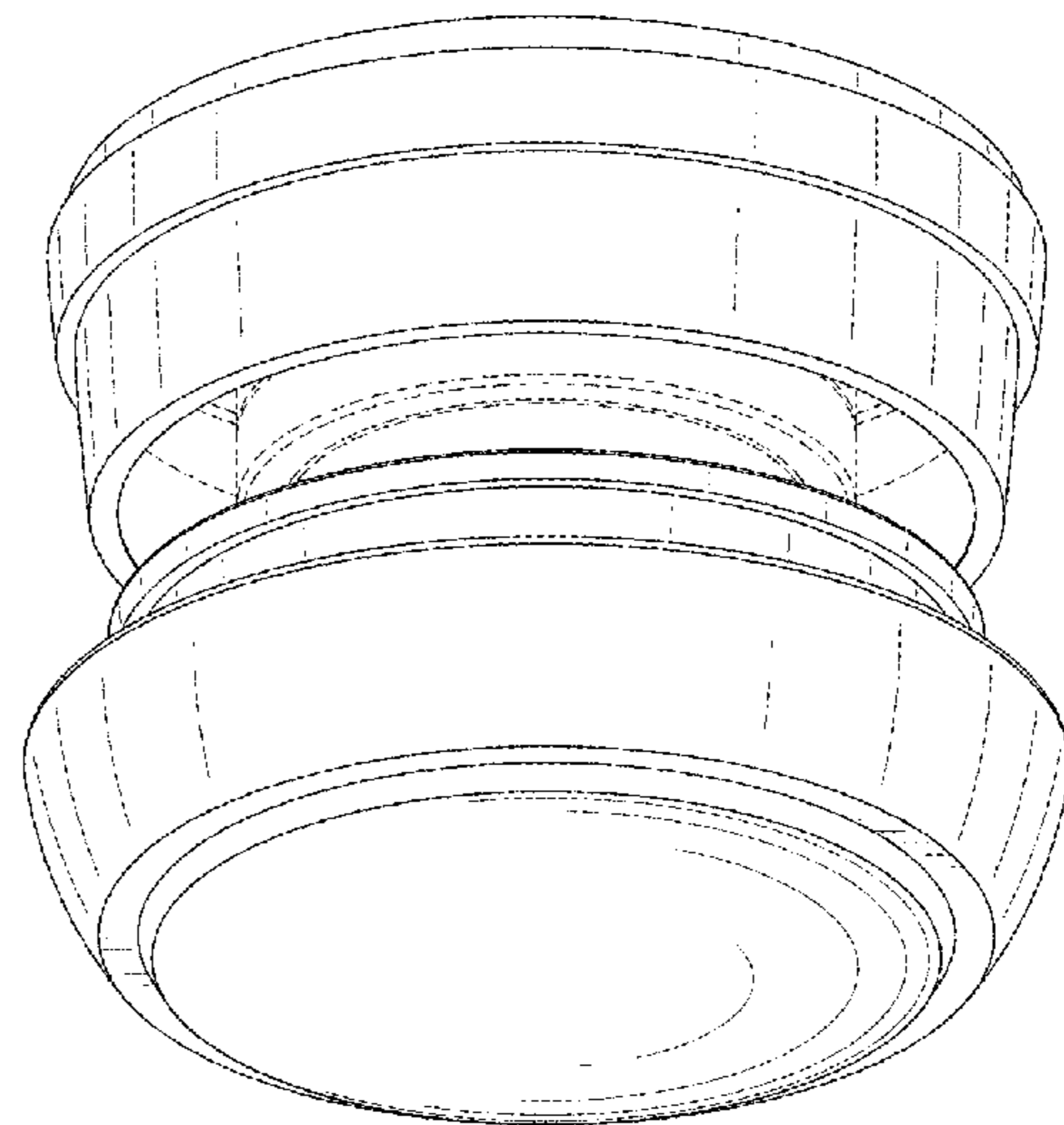
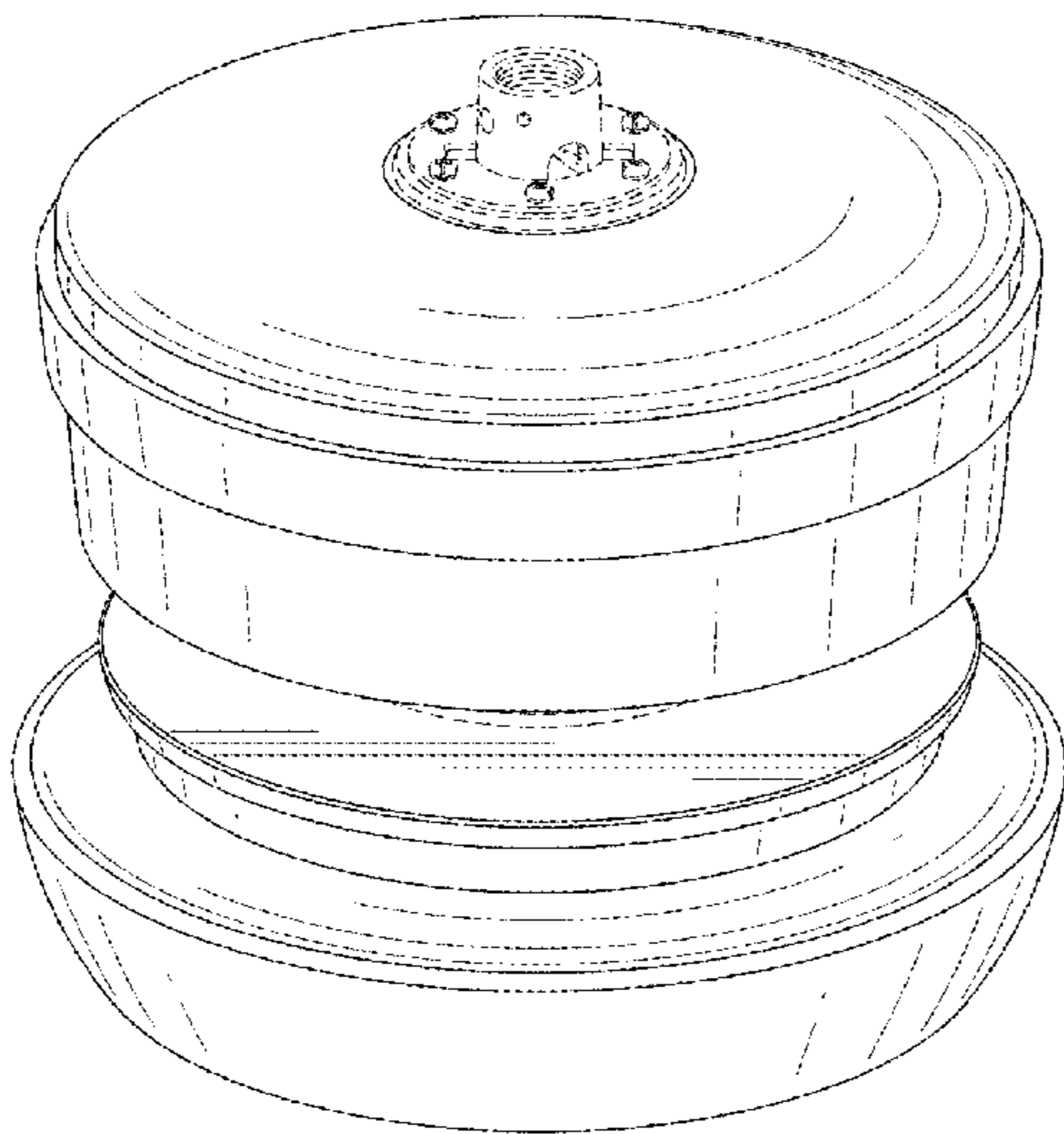
(57) **CLAIM**

I claim the ornamental design for a ceiling fan motor housing with light kit, as shown and described.

DESCRIPTION

FIG. 1 is a front perspective view of a ceiling fan motor housing with light kit showing my new design;
FIG. 2 is a front elevational view thereof;
FIG. 3 is a rear elevational view thereof;
FIG. 4 is a left side elevational view thereof;
FIG. 5 is a right side elevational view thereof;
FIG. 6 is a top plan view thereof;
FIG. 7 is a bottom plan view thereof; and,
FIG. 8 is another front perspective view.
The broken lines in the drawings depict parts of the ceiling fan motor housing with light kit that form no part of the claimed design.

1 Claim, 8 Drawing Sheets



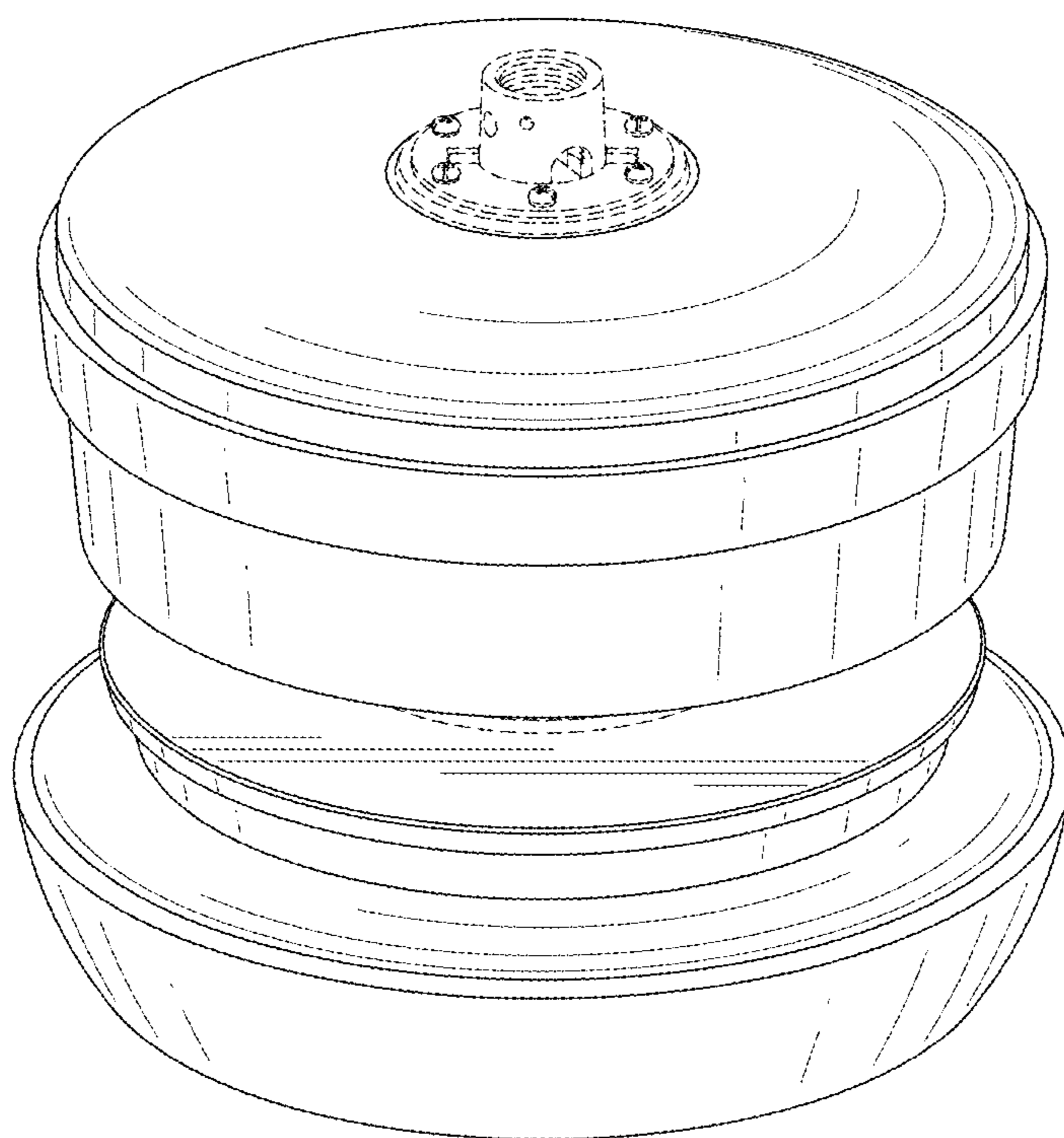


FIG. 1

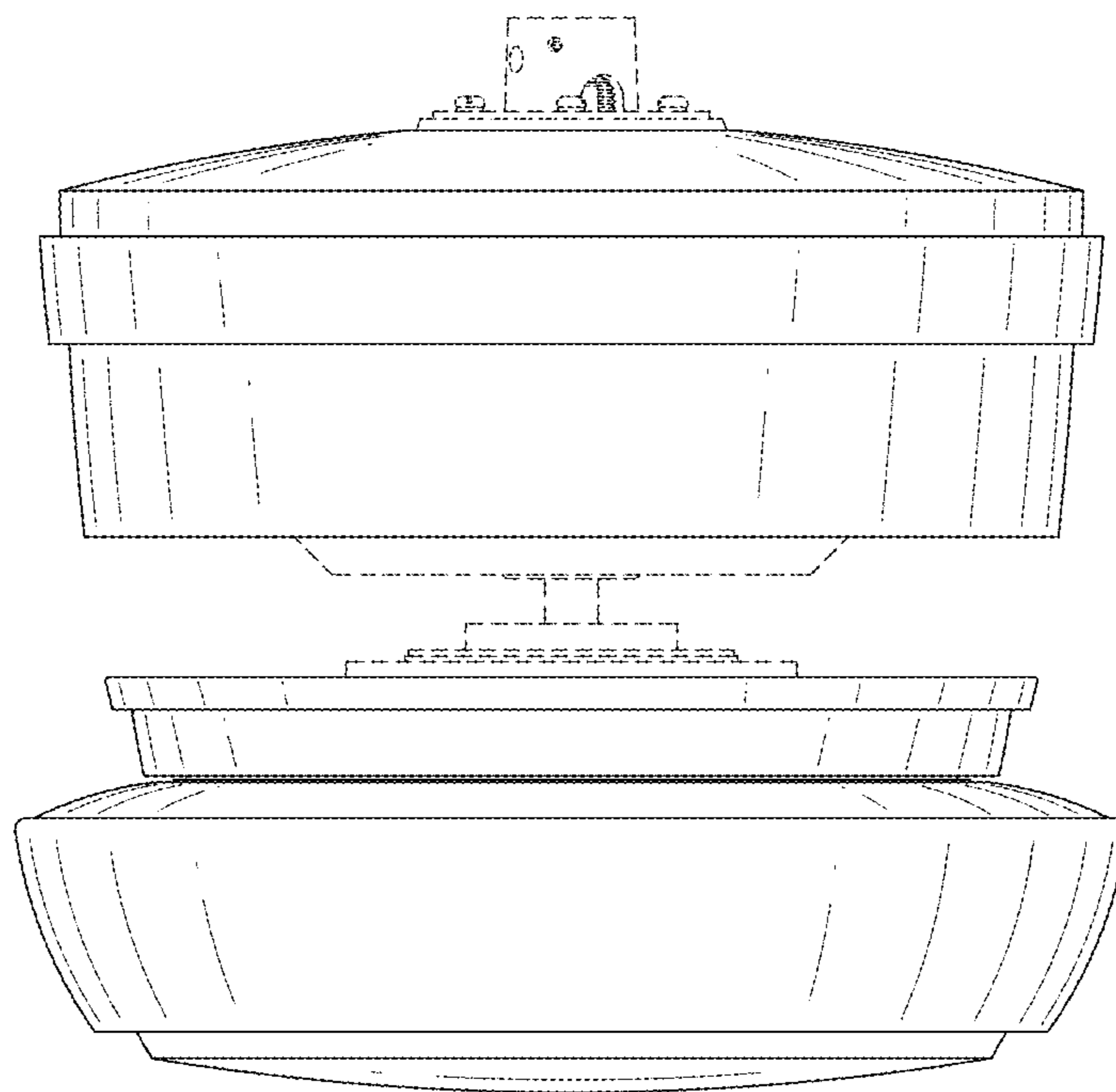


FIG. 2

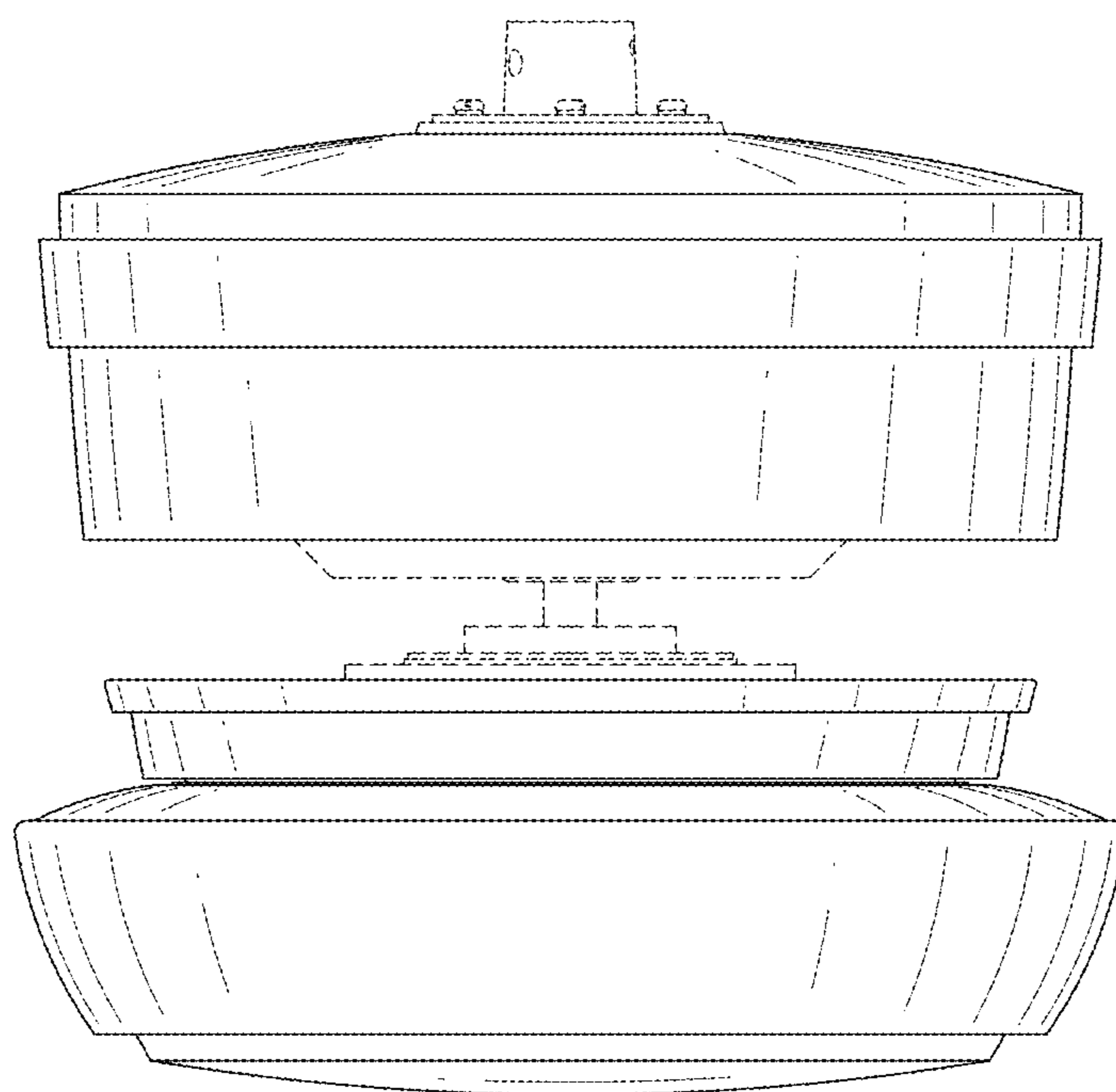


FIG. 3

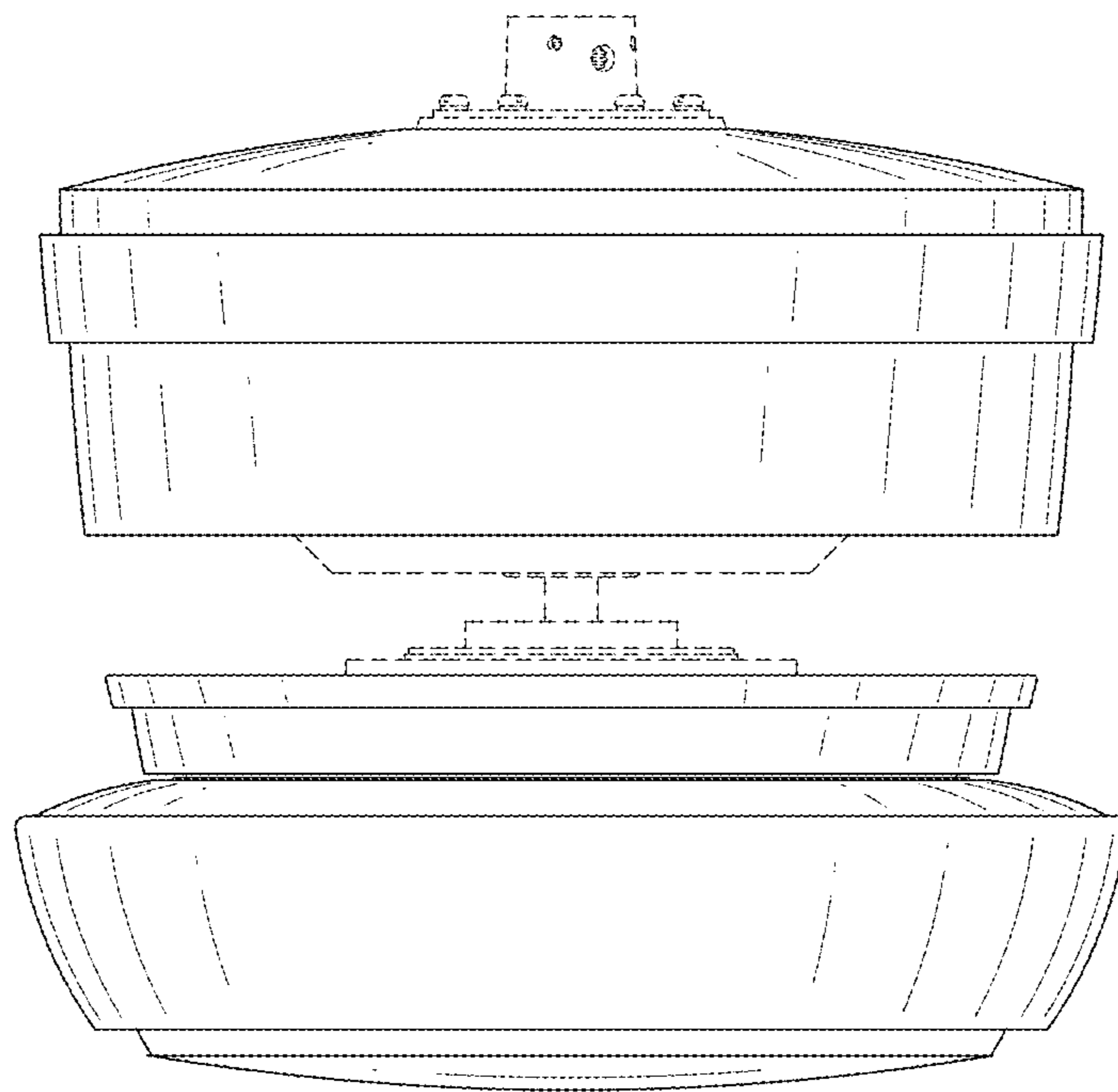


FIG. 4

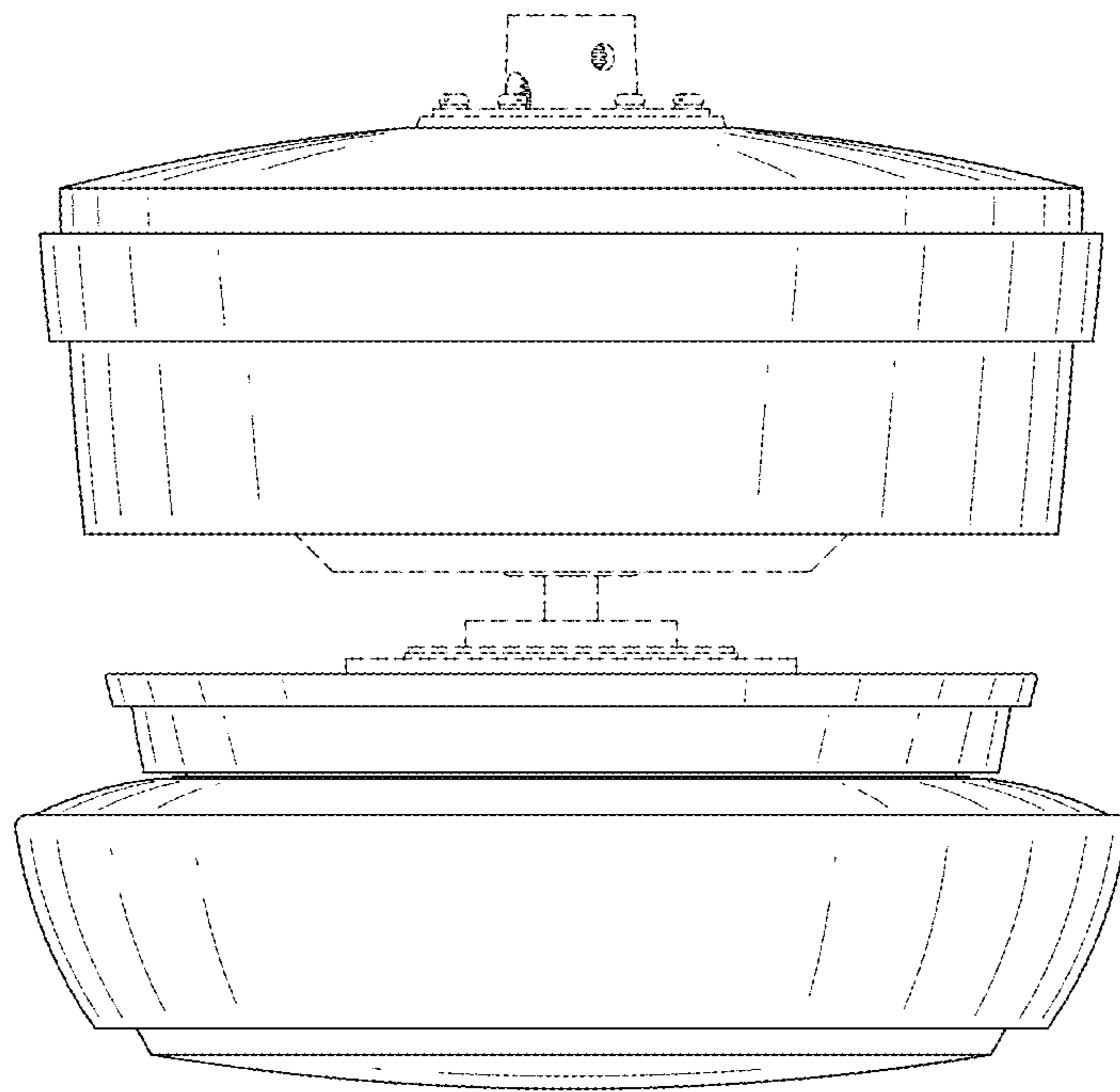


FIG. 5

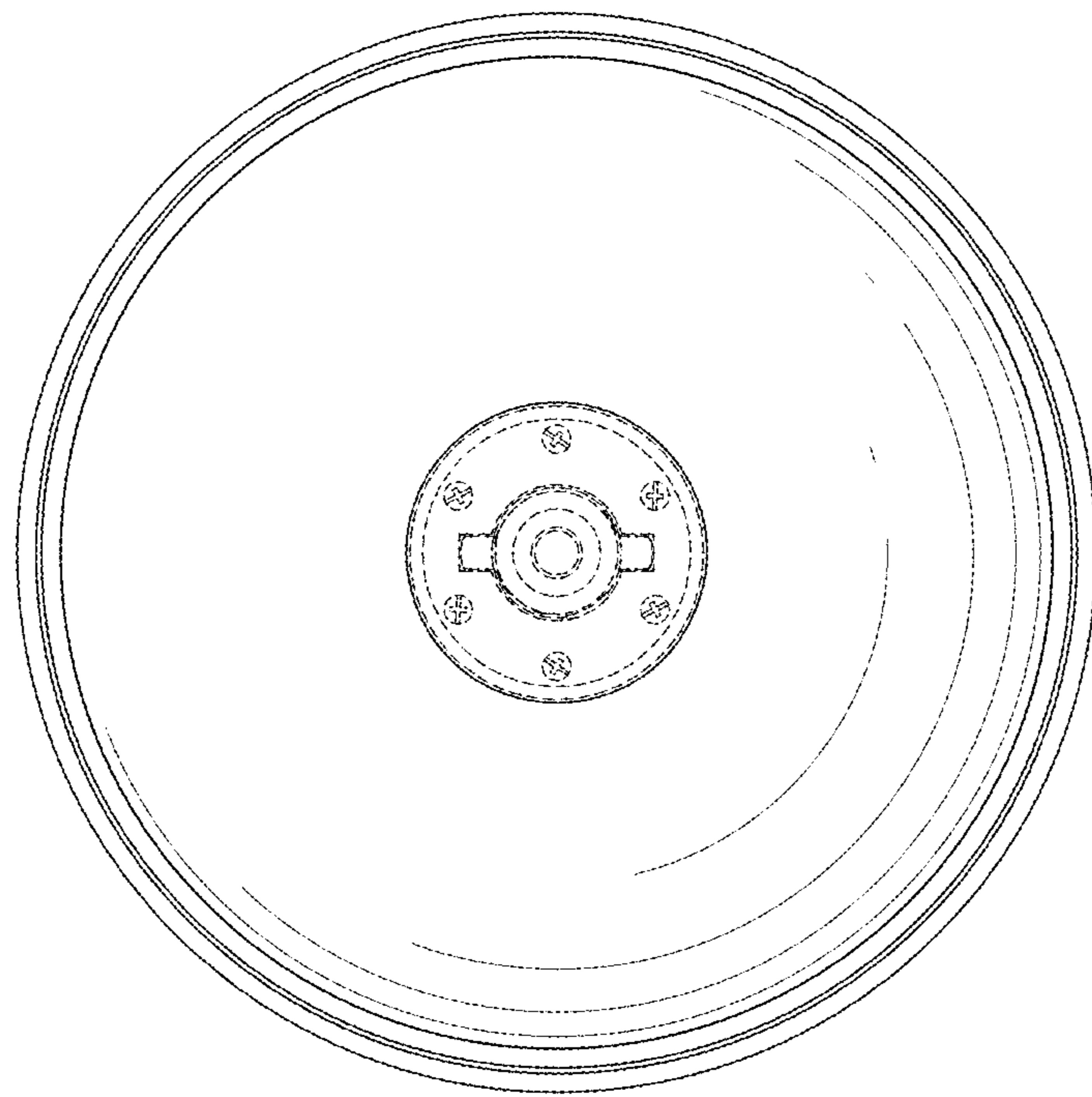


FIG. 6

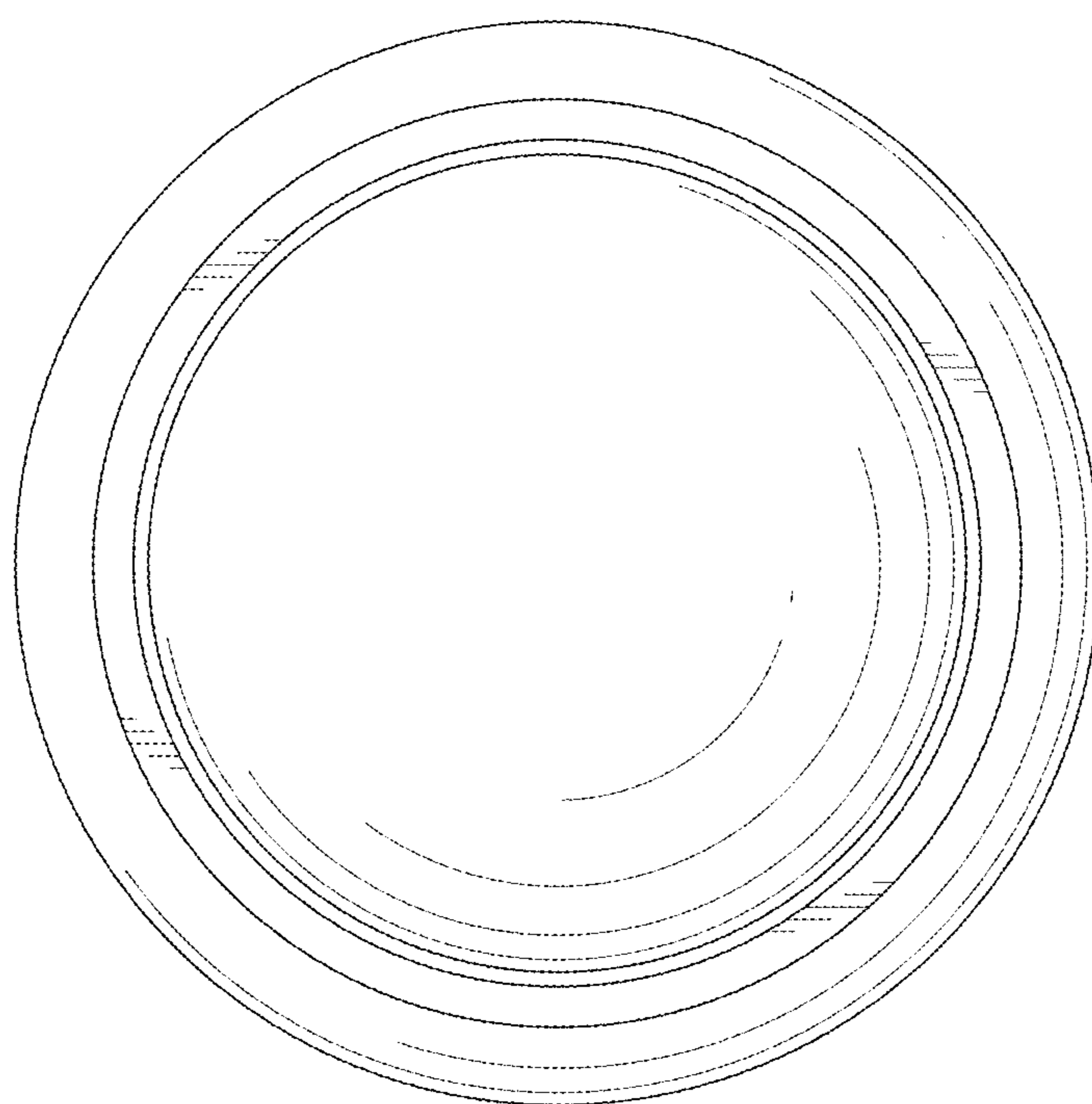


FIG. 7

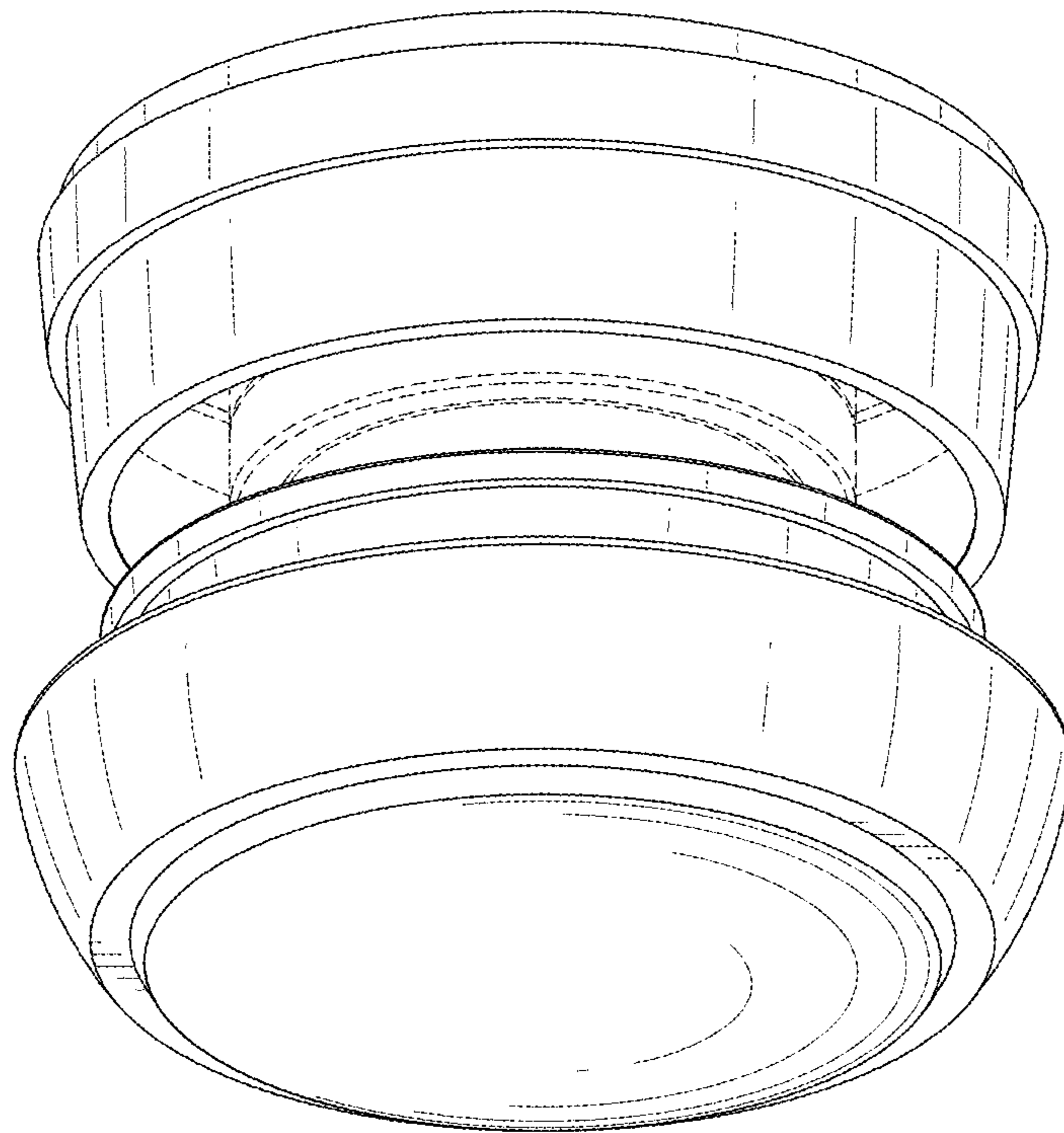


FIG. 8