

US00D744080S

(12) **United States Design Patent**  
**Wang**

(10) **Patent No.:** **US D744,080 S**  
(45) **Date of Patent:** **\*\* Nov. 24, 2015**

- (54) **FAN BLADE BRACKET**
- (71) Applicant: **AIR COOL INDUSTRIAL CO., LTD.,**  
Taichung (TW)
- (72) Inventor: **Cliff Wang,** Taichung (TW)
- (73) Assignee: **AIR COOL INDUSTRIAL CO., LTD.,**  
Taichung (TW)
- (\*\*) Term: **14 Years**
- (21) Appl. No.: **29/493,377**
- (22) Filed: **Jun. 9, 2014**
- (51) **LOC (10) Cl.** ..... **23-04**
- (52) **U.S. Cl.**  
USPC ..... **D23/411**
- (58) **Field of Classification Search**  
USPC ..... D23/377, 370–376, 378–394, 411–414,  
D23/499; D12/214, 305, 319, 339, 344,  
D12/345; 416/5, 62, 170 R, 214 R, 184, 206,  
416/207, 210 R, 220 R, 241 R, 244 R, 248,  
416/223 R, 232, 234, 242; 417/423.1;  
392/364; D26/59; D8/327, 328, 343,  
D8/349, 363, 376, 378, 380  
CPC ... F04D 25/088; F04D 29/263; F04D 29/266;  
F04D 29/322; F04D 29/34; F04D 29/36;  
F04D 29/362; F04D 29/364; F04D 29/366;  
F04D 29/368; F04D 29/384; F04D 29/60;  
F01D 5/30; F21V 33/0096  
See application file for complete search history.

(56) **References Cited**

**U.S. PATENT DOCUMENTS**

D377,681 S	*	1/1997	Jaspers-Fayer	.....	D23/377
D406,332 S	*	3/1999	Liu	.....	D23/377
D411,094 S	*	6/1999	Schultz	.....	D8/343
D411,797 S	*	7/1999	Schultz	.....	D8/306
D532,104 S	*	11/2006	Pickett	.....	D23/411
D568,983 S	*	5/2008	Pan	.....	D23/411
D572,815 S	*	7/2008	Hidalgo	.....	D23/411
D581,512 S	*	11/2008	Hidalgo	.....	D23/411
D594,549 S	*	6/2009	Pan	.....	D23/411

D594,550 S	*	6/2009	Pan	.....	D23/411
D599,469 S	*	9/2009	Yang	.....	D23/411
D627,054 S	*	11/2010	Pan	.....	D23/411
D705,922 S	*	5/2014	Wang	.....	D23/411
D707,347 S	*	6/2014	Wang	.....	D23/411
D707,348 S	*	6/2014	Pan	.....	D23/411
D710,986 S	*	8/2014	Wang	.....	D23/411

(Continued)

**OTHER PUBLICATIONS**

Canfield Blade Brackets (Kichler Ceiling Fans 2010 Catalog). 1stoppinglighting.com (online PDF) 2 pages. date last modified May 17, 2010 [retrieved on Sep. 17, 2015]. Retrieved from Internet: <http://images.1stoppinglighting.com/site/common/content/Kichler/Kichler\_Catalogs/Kichler\_Fans\_10.pdf>.\*

Replacement Ceiling Fan Blades and brackets 52in FB 106. Ebay.com (online) 2pages. [retrieved on Sep. 17, 2015]. Retrieved from Internet: <http://www.ebay.com/itm/Replacement-Ceiling-Fan-Blades-52-FB-106-PRICE-REDUCED-/15178626201?hash=item235728b79>.\*

Holliston Blade Irons (Casablanca Owner's Manual). casablancafanco.com (online) 38 pages. [retrieved on Sep. 21, 2015]. Retrieved from Internet: http://www.casablancafanco.com/SupportDocuments/OwnersManuals/Holliston%20C3luxxZ%20R052209.pdf.\*

*Primary Examiner* — Susan Bennett Hattan

*Assistant Examiner* — Marie Fast Horse

(74) *Attorney, Agent, or Firm* — Ming Chow; Sinorica, LLC

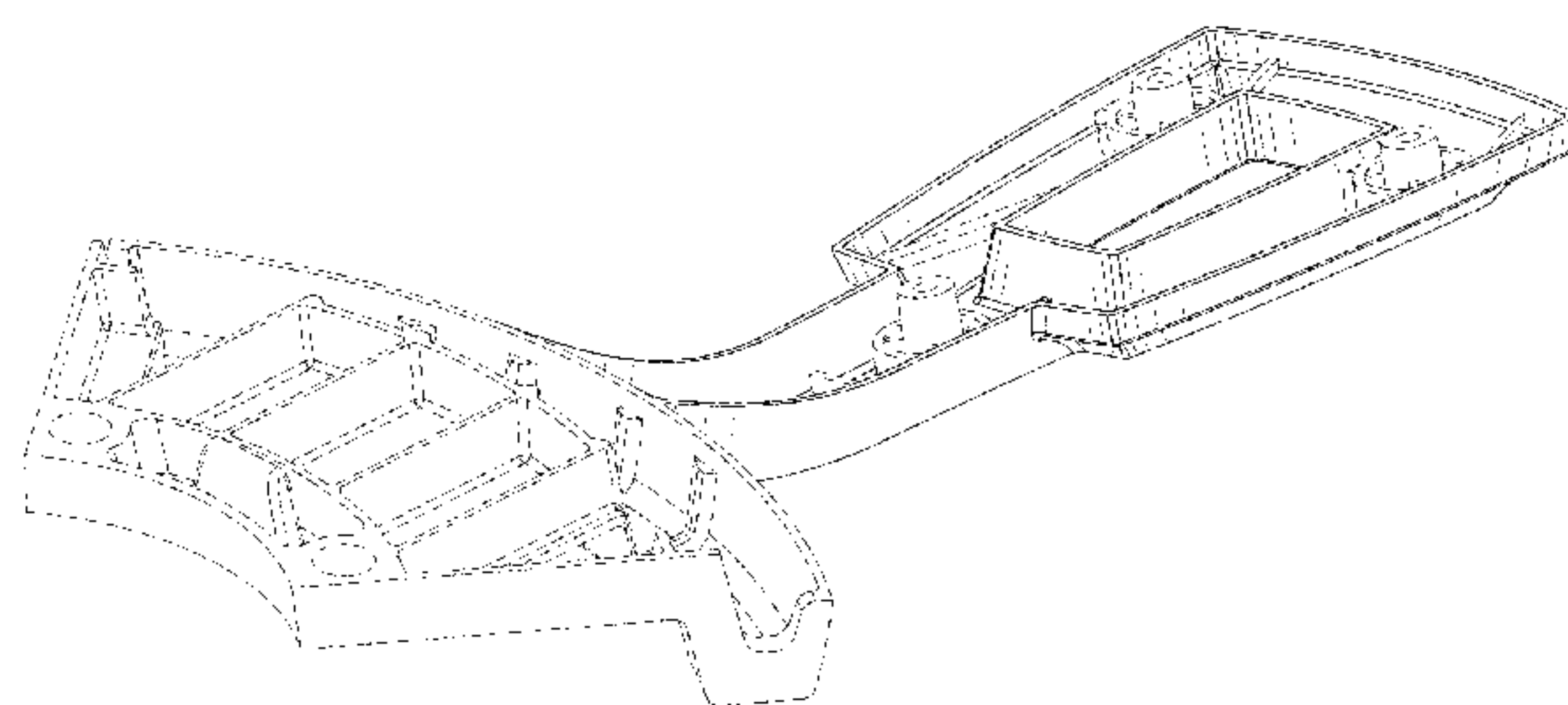
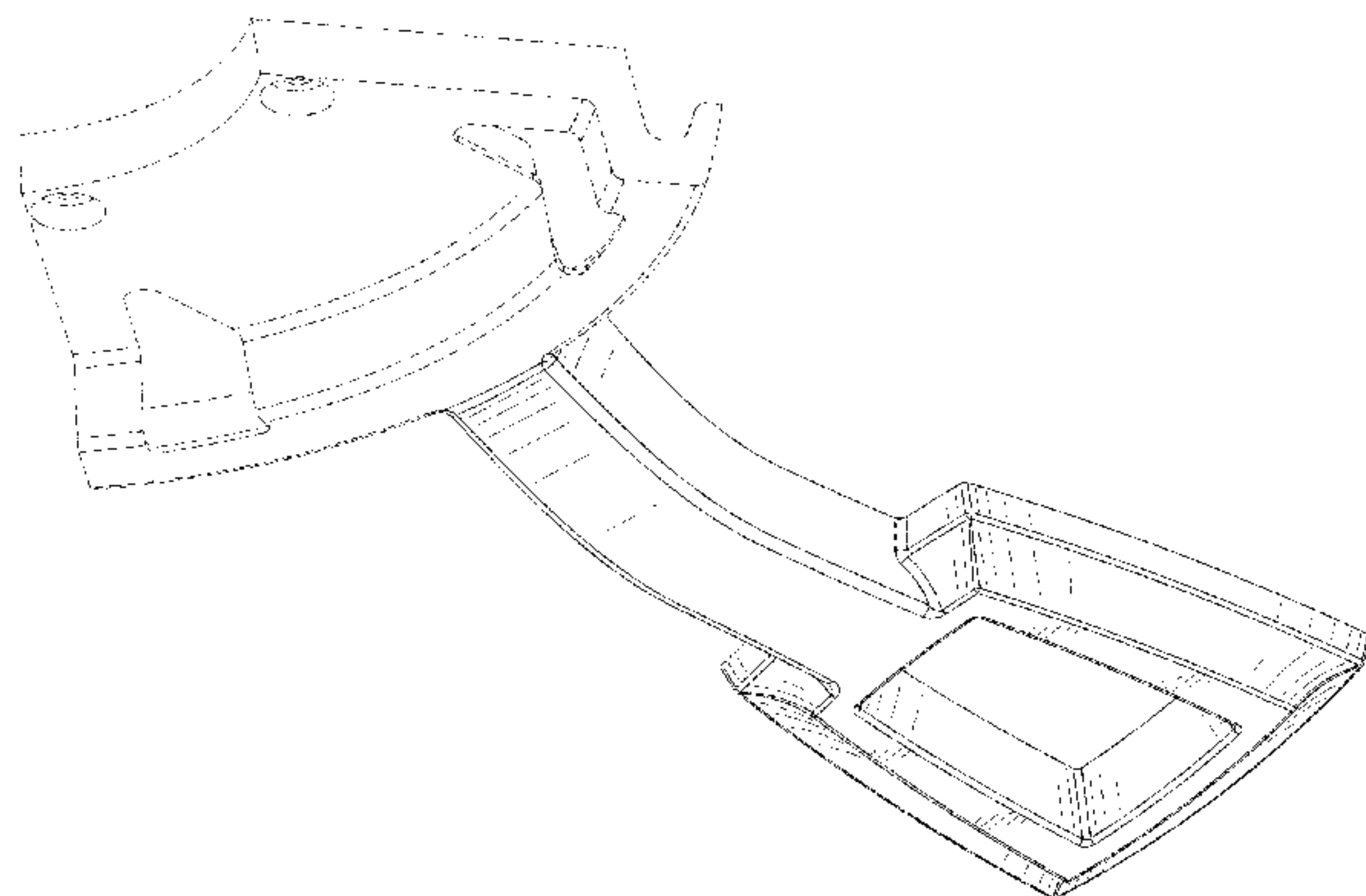
(57) **CLAIM**

I claim the ornamental design for a fan blade bracket, as shown and described.

**DESCRIPTION**

FIG. 1 is a front perspective view of a fan blade bracket showing my new design;  
 FIG. 2 is a front elevational view thereof;  
 FIG. 3 is a rear elevational view thereof;  
 FIG. 4 is a left side elevational view thereof;  
 FIG. 5 is a right side elevational view thereof;  
 FIG. 6 is a top plan view thereof;  
 FIG. 7 is a bottom plan view thereof; and,  
 FIG. 8 is another front perspective view.  
 The broken lines in the drawings depict a part of the fan blade bracket that forms no part of the claimed design.

**1 Claim, 6 Drawing Sheets**



# US D744,080 S

Page 2

---

(56)

## References Cited

### U.S. PATENT DOCUMENTS

D710,988 S \* 8/2014 Pan ..... D23/411  
8,845,293 B1 \* 9/2014 Lowe ..... F04D 29/34  
416/205

2009/0246028 A1\* 10/2009 Richardson ..... F04D 29/34  
416/210 R  
2011/0116946 A1\* 5/2011 Webb ..... F04D 29/34  
417/410.1

\* cited by examiner

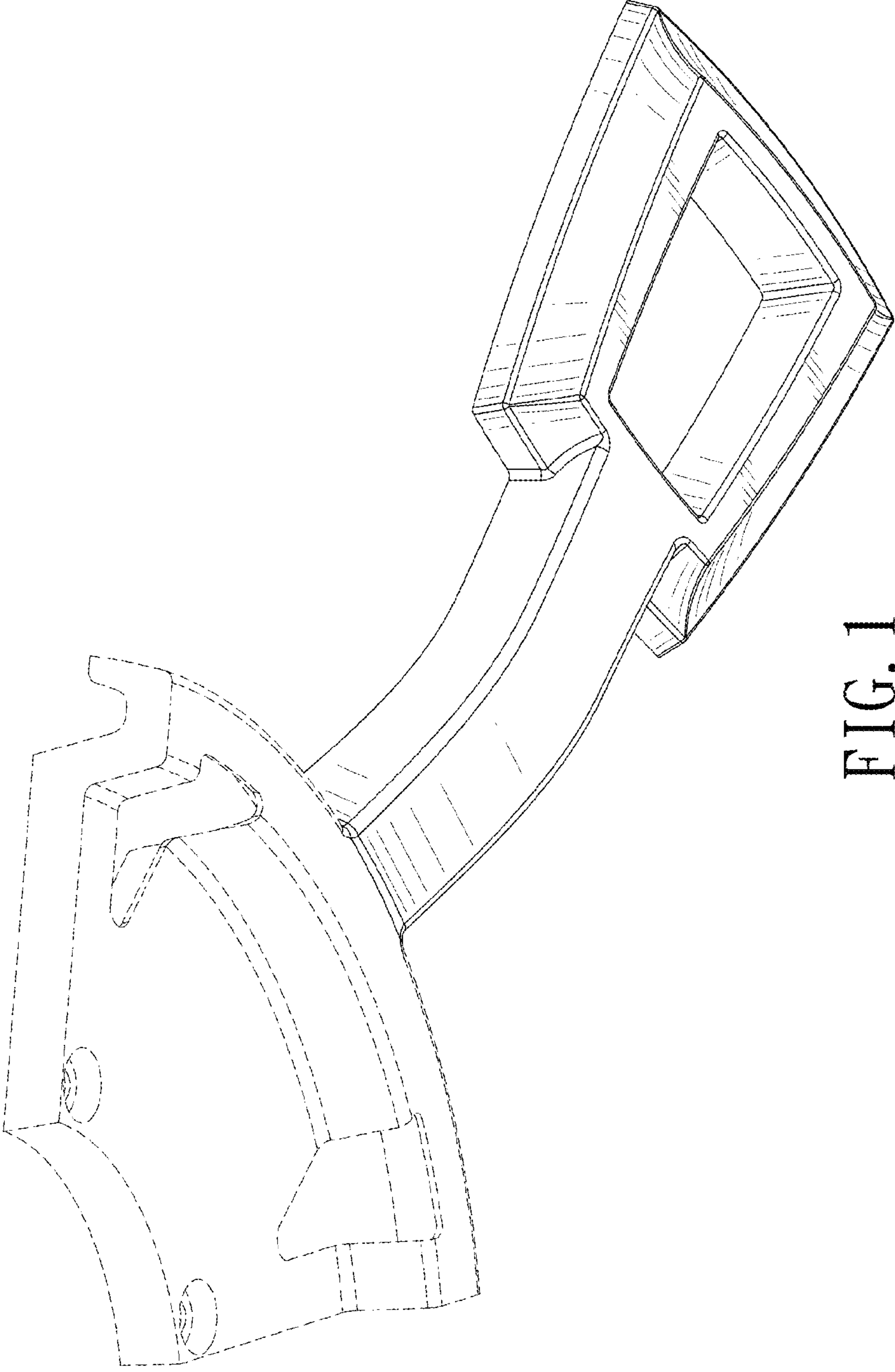


FIG. 1

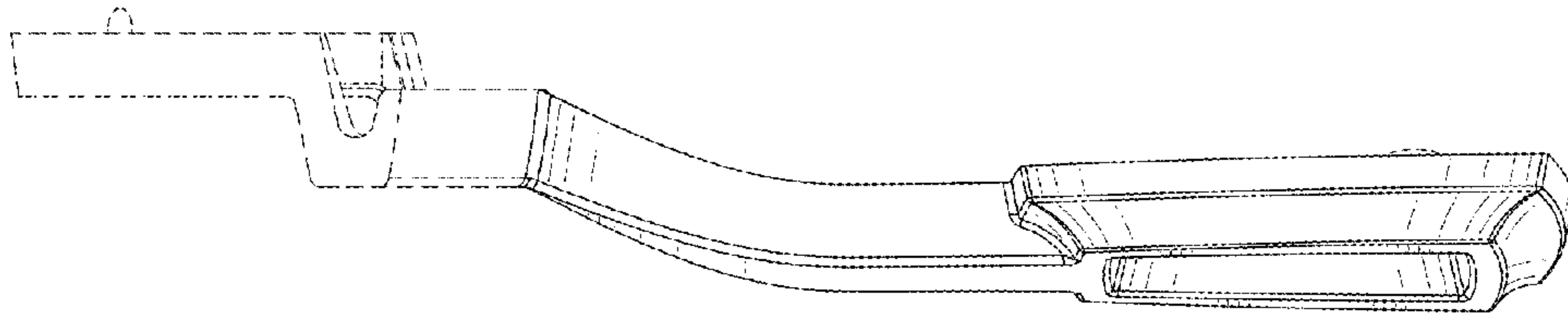


FIG. 2

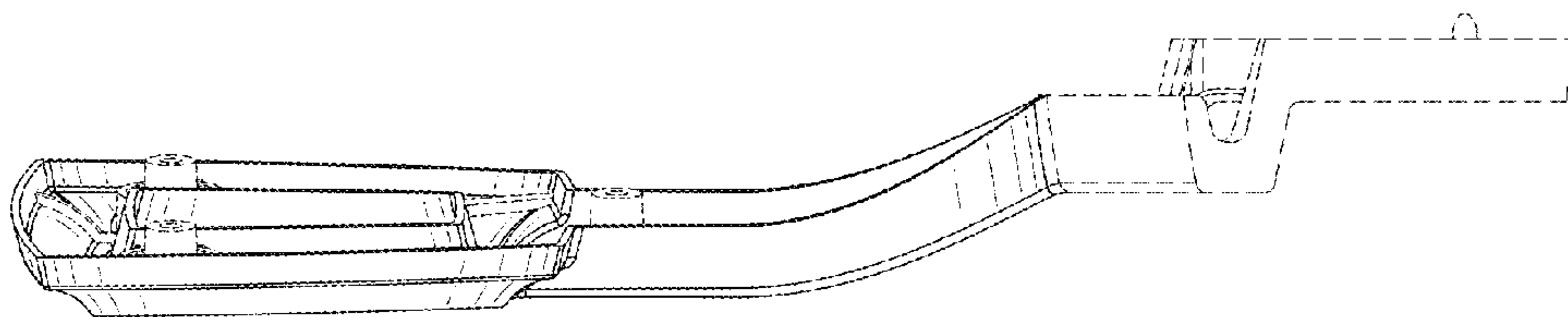


FIG. 3

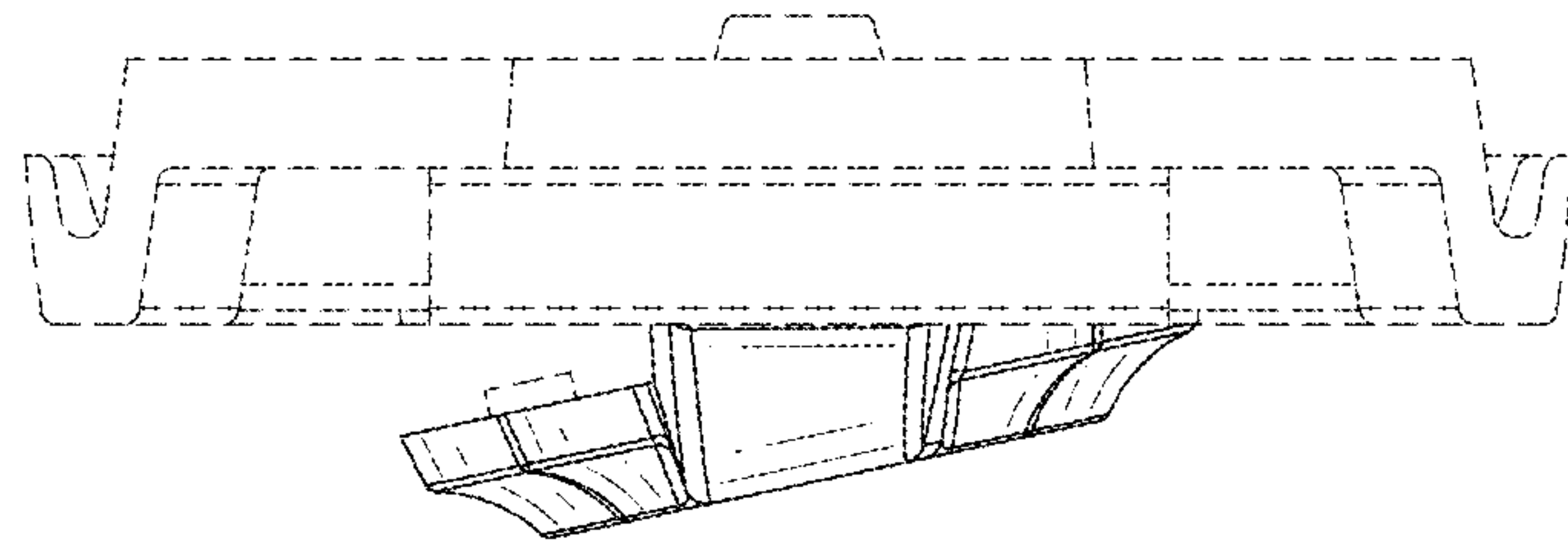


FIG. 4

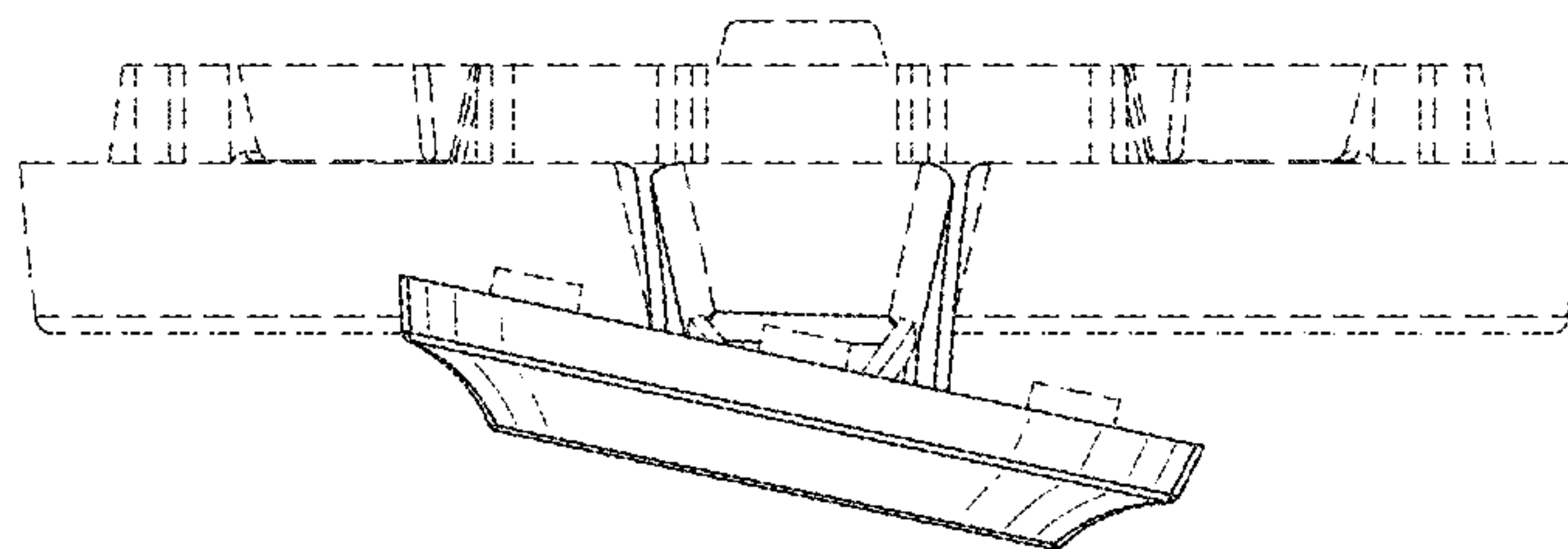


FIG. 5



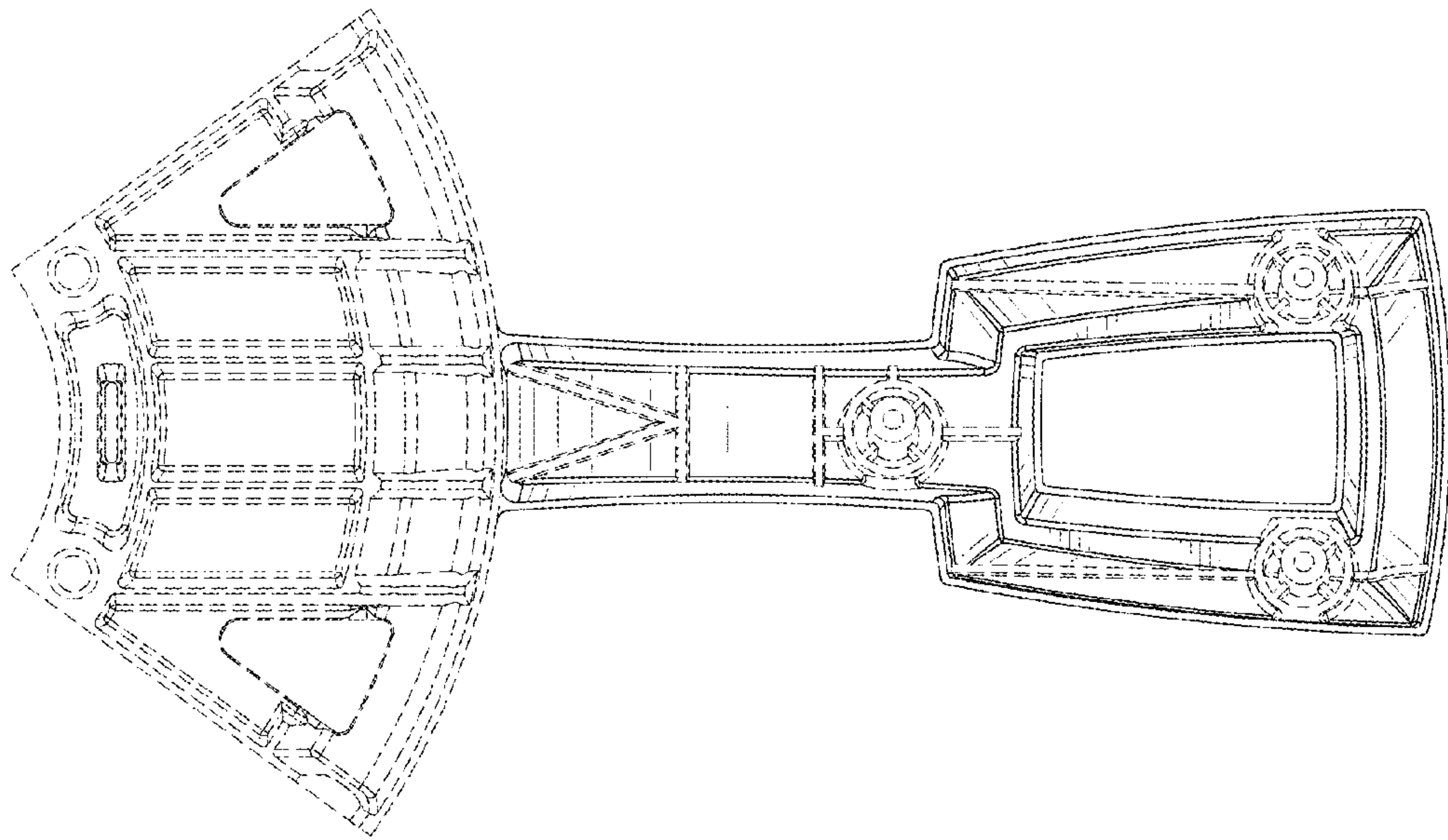


FIG. 6

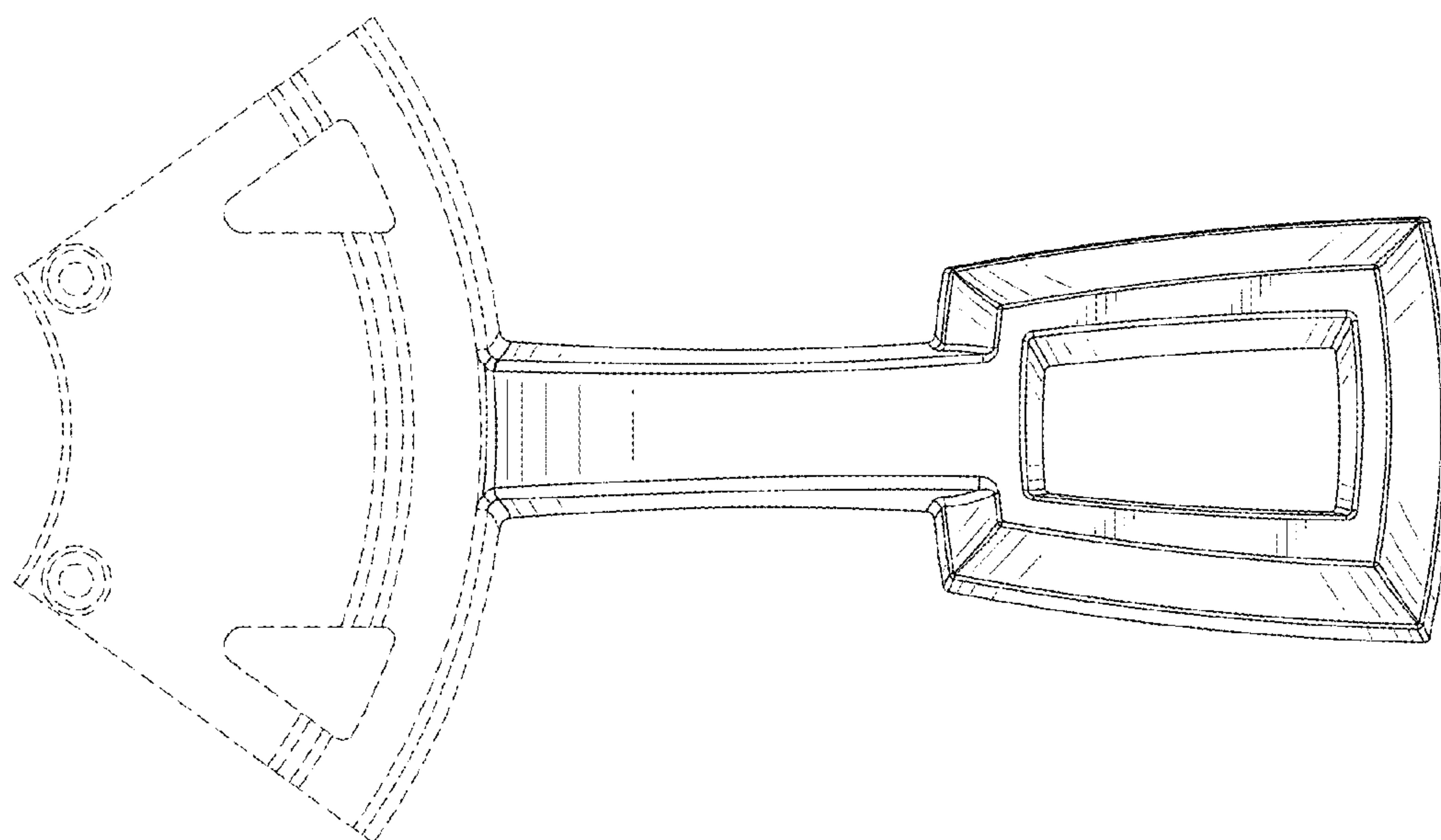


FIG. 7

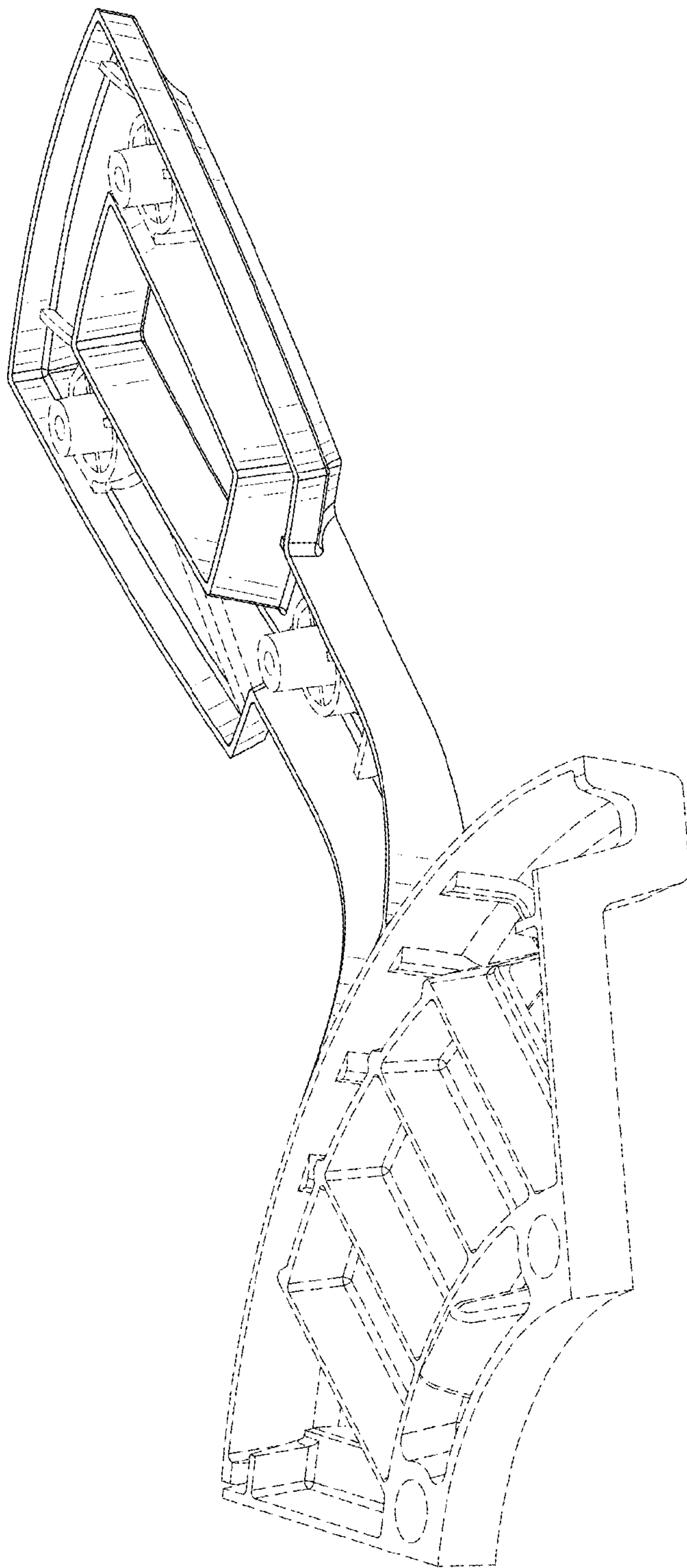


FIG. 8