



US00D744079S

(12) **United States Design Patent**  
**Wang**

(10) **Patent No.:** **US D744,079 S**

(45) **Date of Patent:** **\*\* Nov. 24, 2015**

(54) **CEILING FAN**

(71) Applicant: **AIR COOL INDUSTRIAL CO., LTD.,**  
Taichung (TW)

(72) Inventor: **Cliff Wang,** Taichung (TW)

(73) Assignee: **AIR COOL INDUSTRIAL CO., LTD.,**  
Taichung (TW)

(\*\*) Term: **14 Years**

(21) Appl. No.: **29/498,095**

(22) Filed: **Jul. 31, 2014**

(51) **LOC (10) Cl.** ..... **23-04**

(52) **U.S. Cl.**  
USPC ..... **D23/385**

(58) **Field of Classification Search**  
USPC ..... D23/370–385, 411–414, 59;  
392/360–364; 416/5, 170 R, 210 R,  
416/223 R, 207, 93 R  
CPC ..... F04D 29/34; F04D 29/38; F04D 25/088  
See application file for complete search history.

(56) **References Cited**

**U.S. PATENT DOCUMENTS**

1,970,847 A \* 8/1934 Gibbs ..... B64C 11/343  
416/137  
D475,775 S \* 6/2003 Da Costa ..... D23/377

D680,210 S \* 4/2013 Chan ..... D23/377  
D716,438 S \* 10/2014 Liu ..... D23/377  
D721,429 S \* 1/2015 Busta ..... D23/377  
D721,800 S \* 1/2015 Busta ..... D23/413  
D726,297 S \* 4/2015 Liu ..... D23/377  
2010/0098545 A1\* 4/2010 Liu ..... F03D 3/062  
416/204 R

\* cited by examiner

*Primary Examiner* — Sandra Snapp

(74) *Attorney, Agent, or Firm* — Ming Chow; Sinorica, LLC

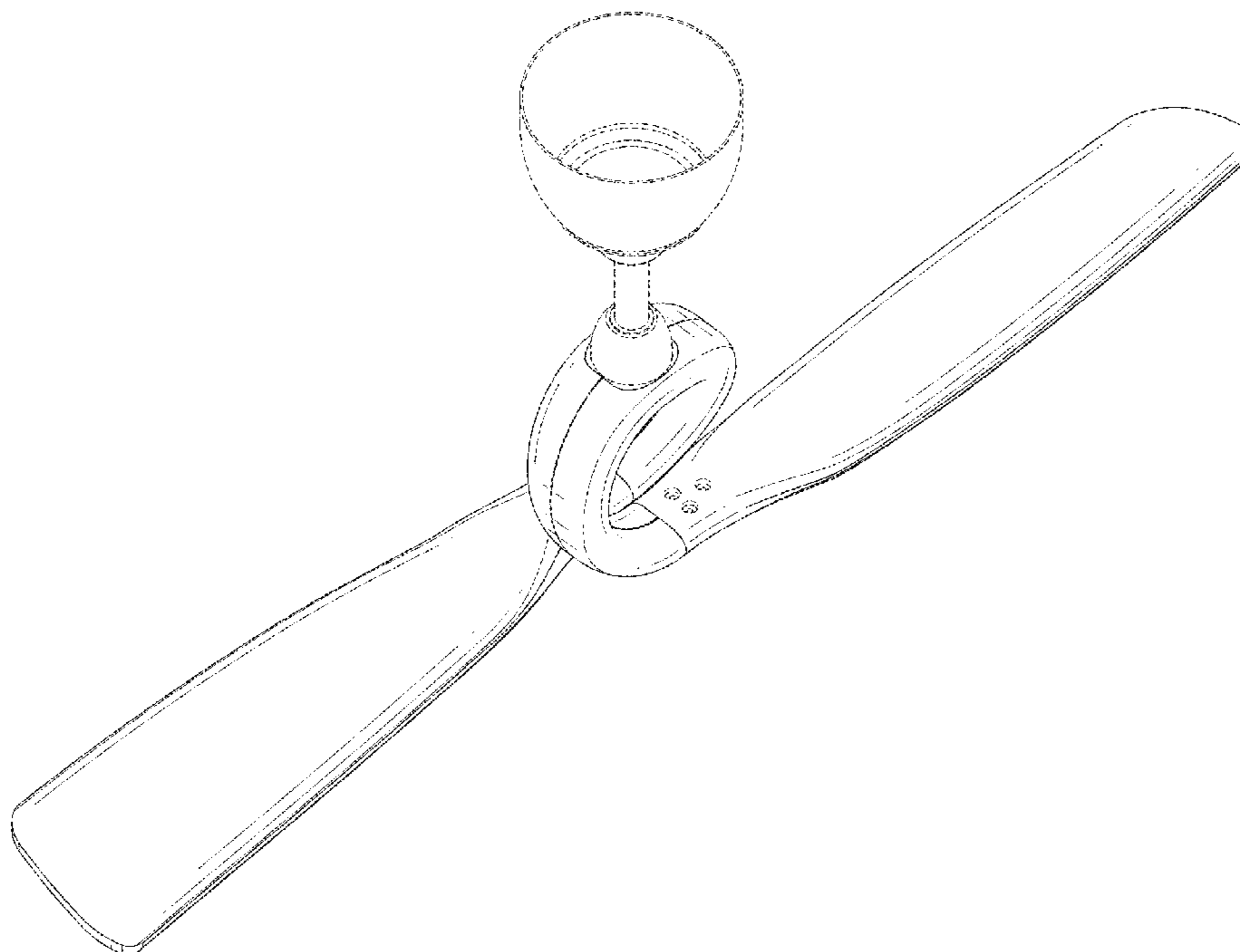
(57) **CLAIM**

I claim the ornamental design for a ceiling fan, as shown and described.

**DESCRIPTION**

FIG. 1 is a front perspective view of a ceiling fan showing my new design;  
FIG. 2 is a front elevational view thereof;  
FIG. 3 is a rear elevational view thereof;  
FIG. 4 is a left side elevational view thereof;  
FIG. 5 is a right side elevational view thereof;  
FIG. 6 is a top plan view thereof;  
FIG. 7 is a bottom plan view thereof; and,  
FIG. 8 is another front perspective view.  
The broken lines are for the purpose of illustrating environmental structure and form no part of the claimed design.

**1 Claim, 7 Drawing Sheets**



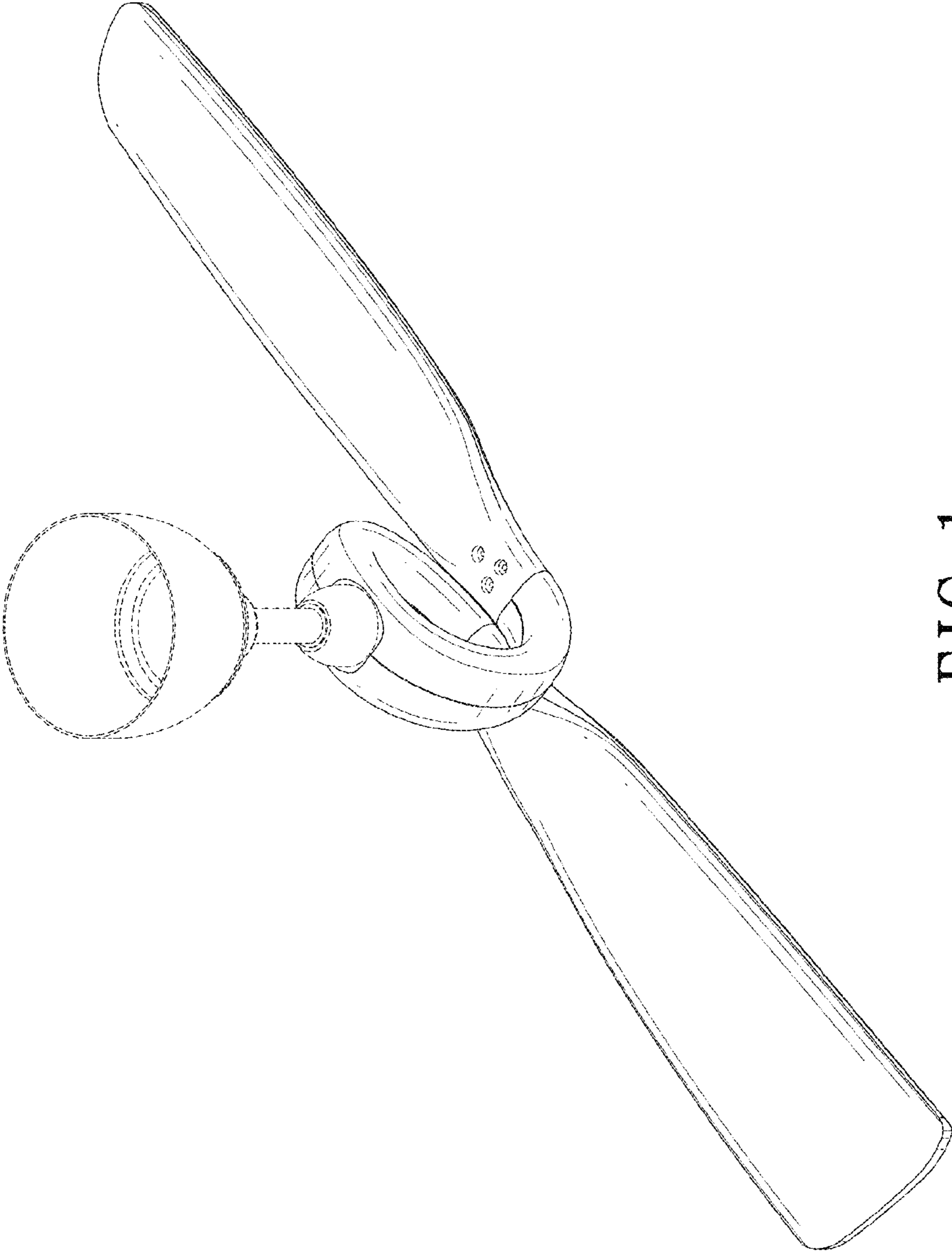


FIG. 1

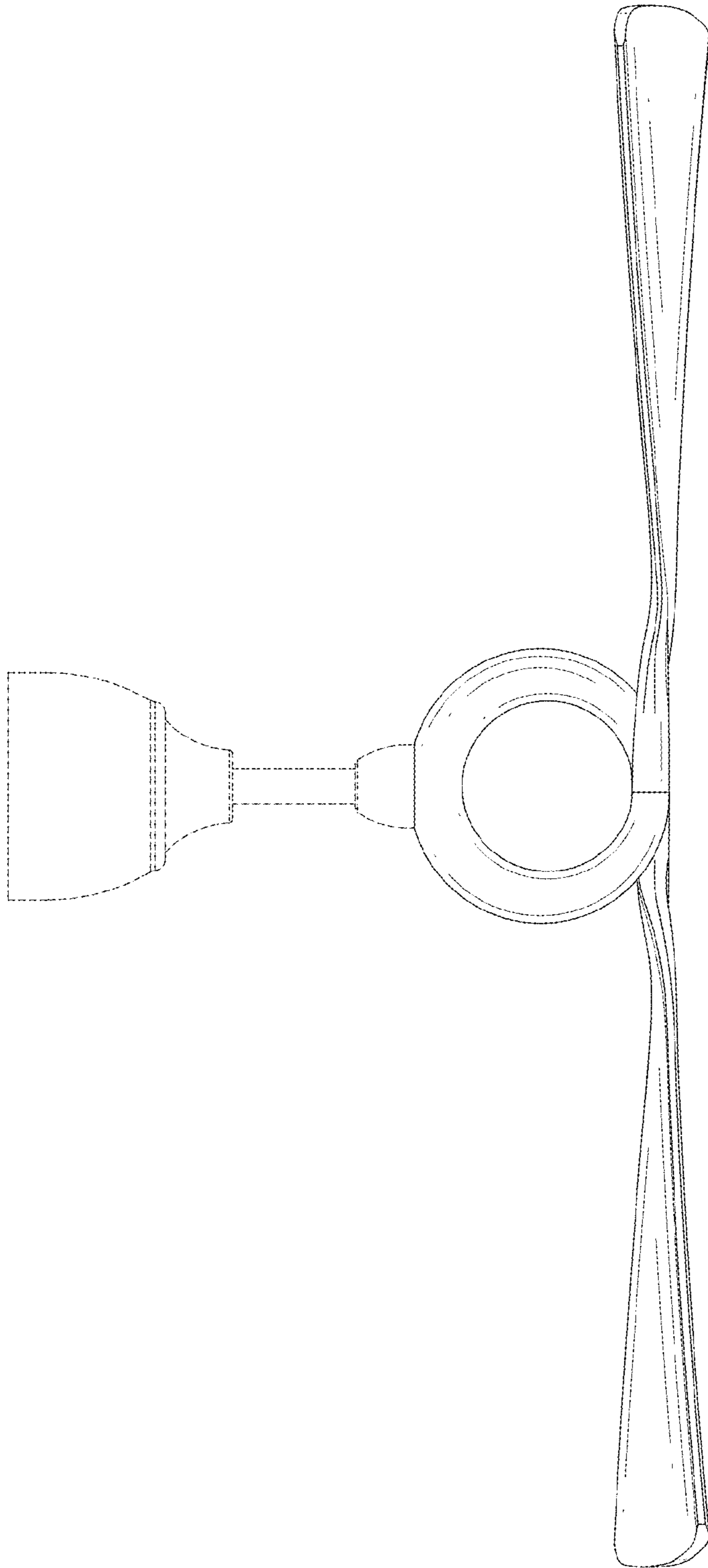


FIG. 2

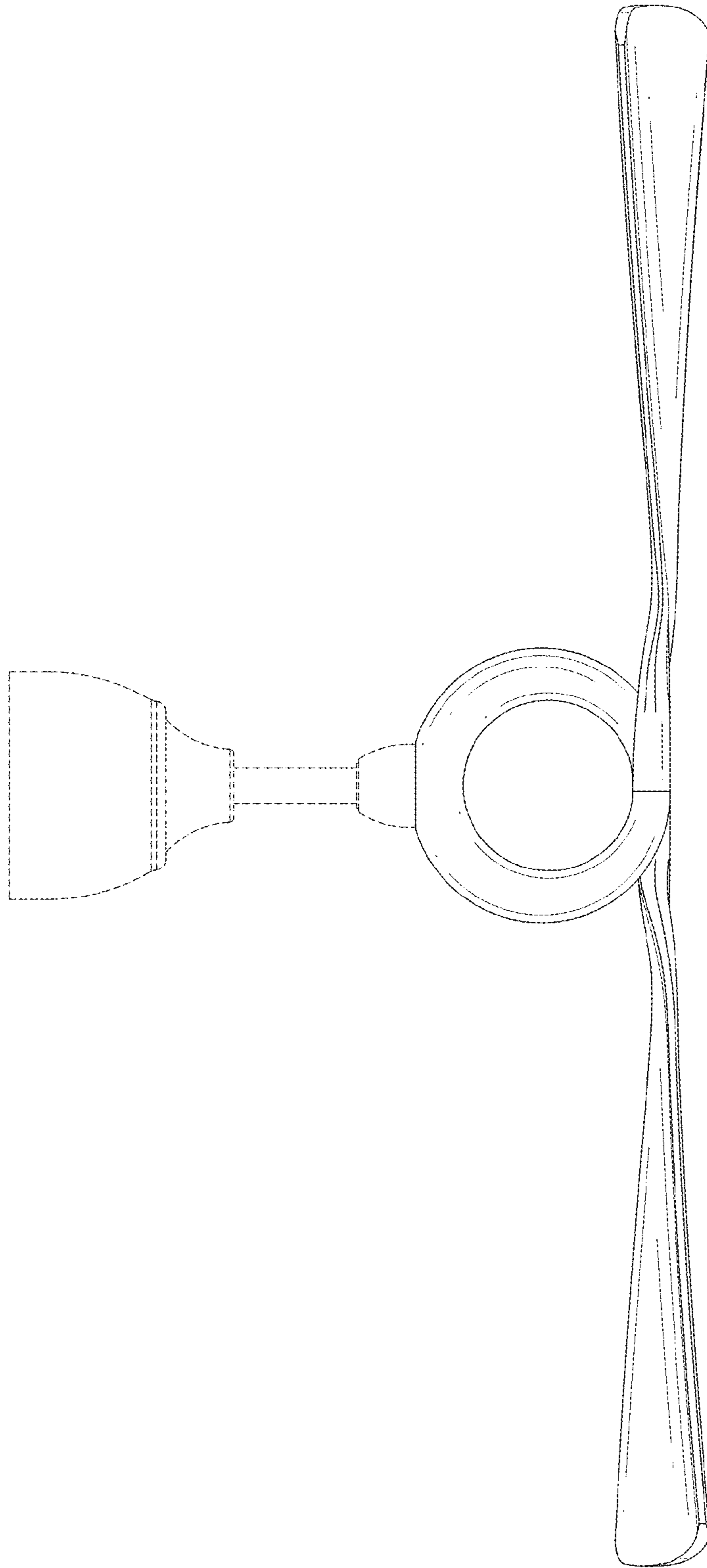


FIG. 3

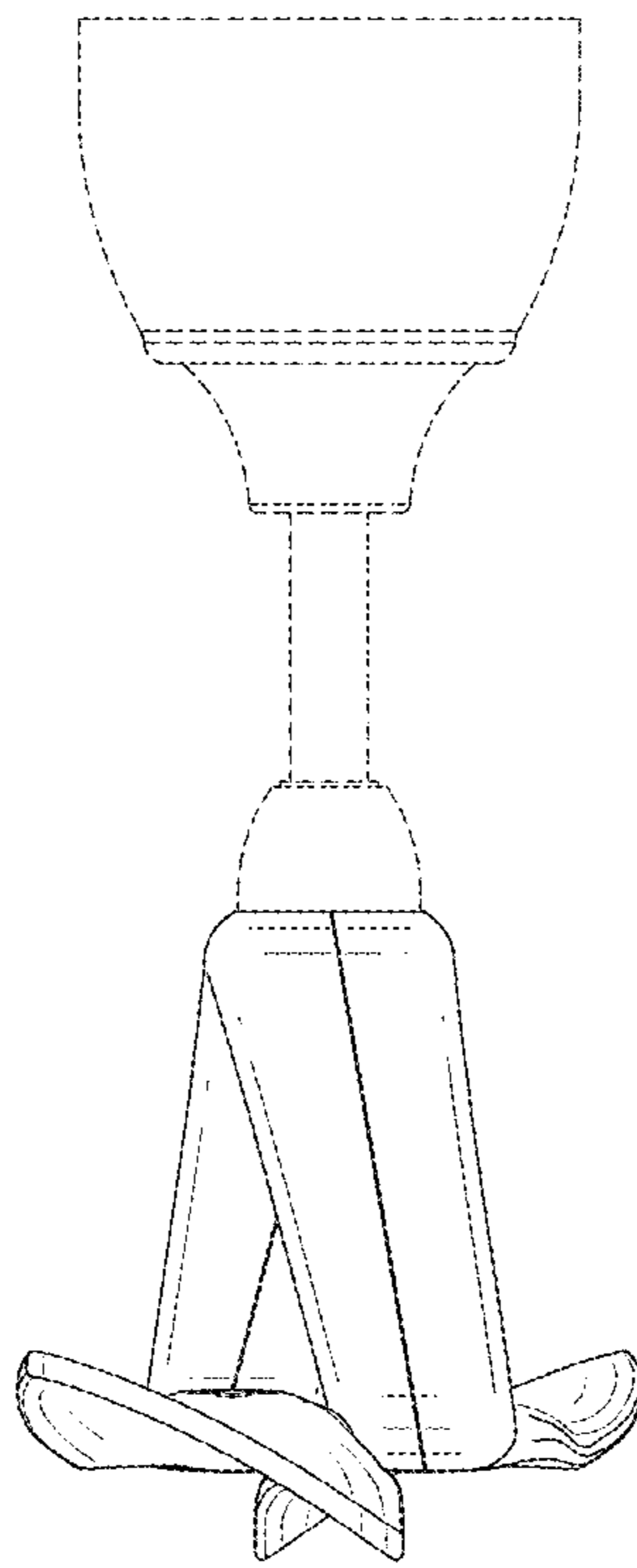


FIG. 4

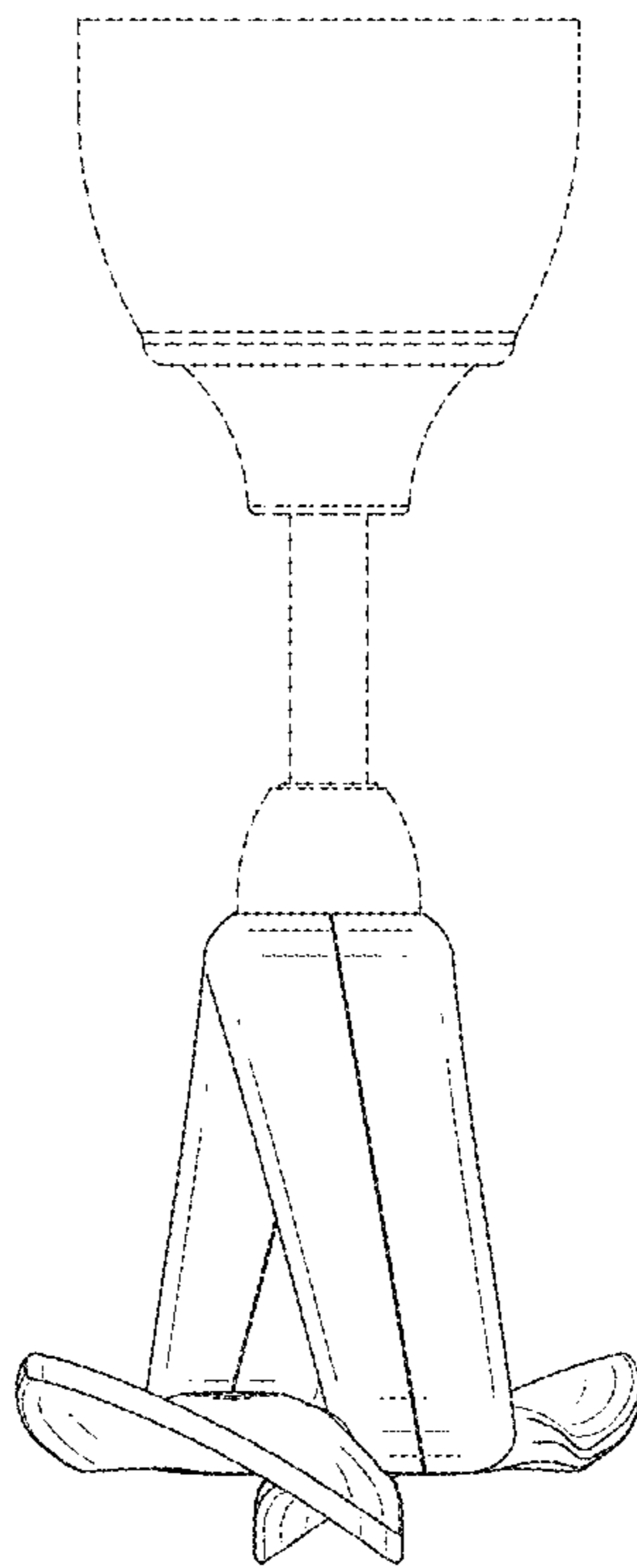


FIG. 5

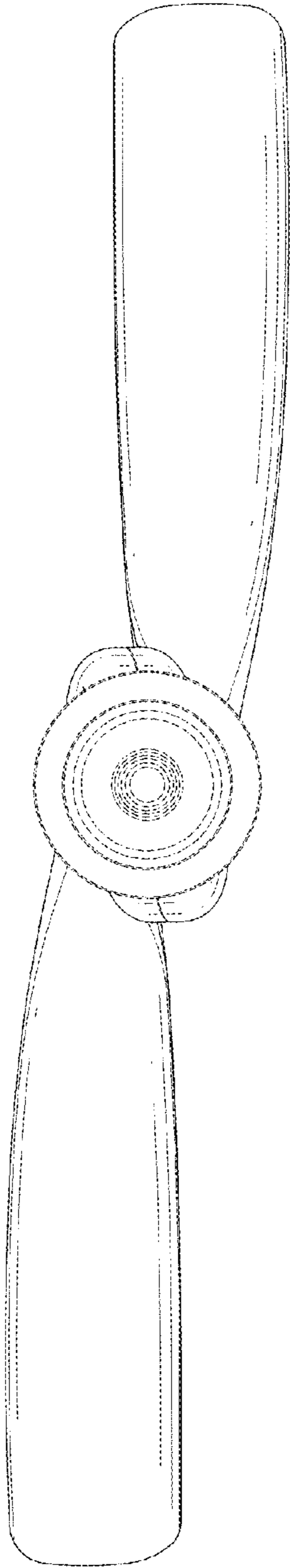


FIG. 6

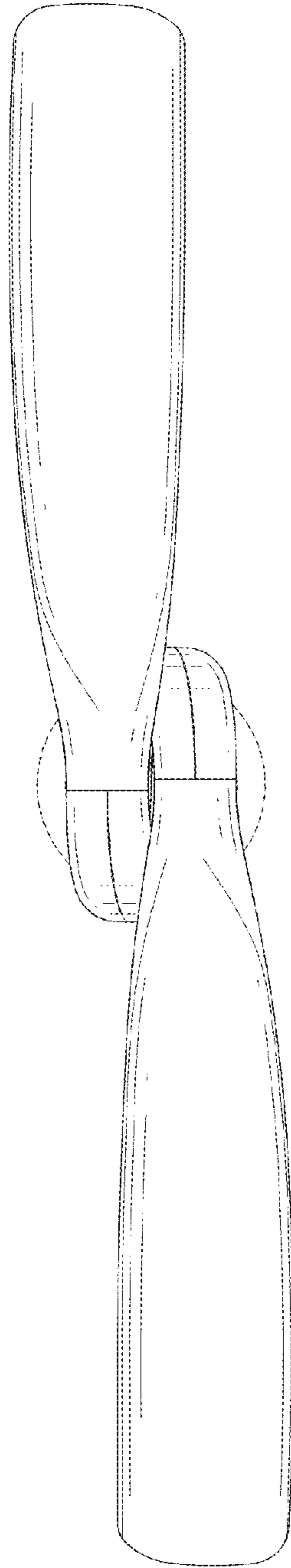


FIG. 7

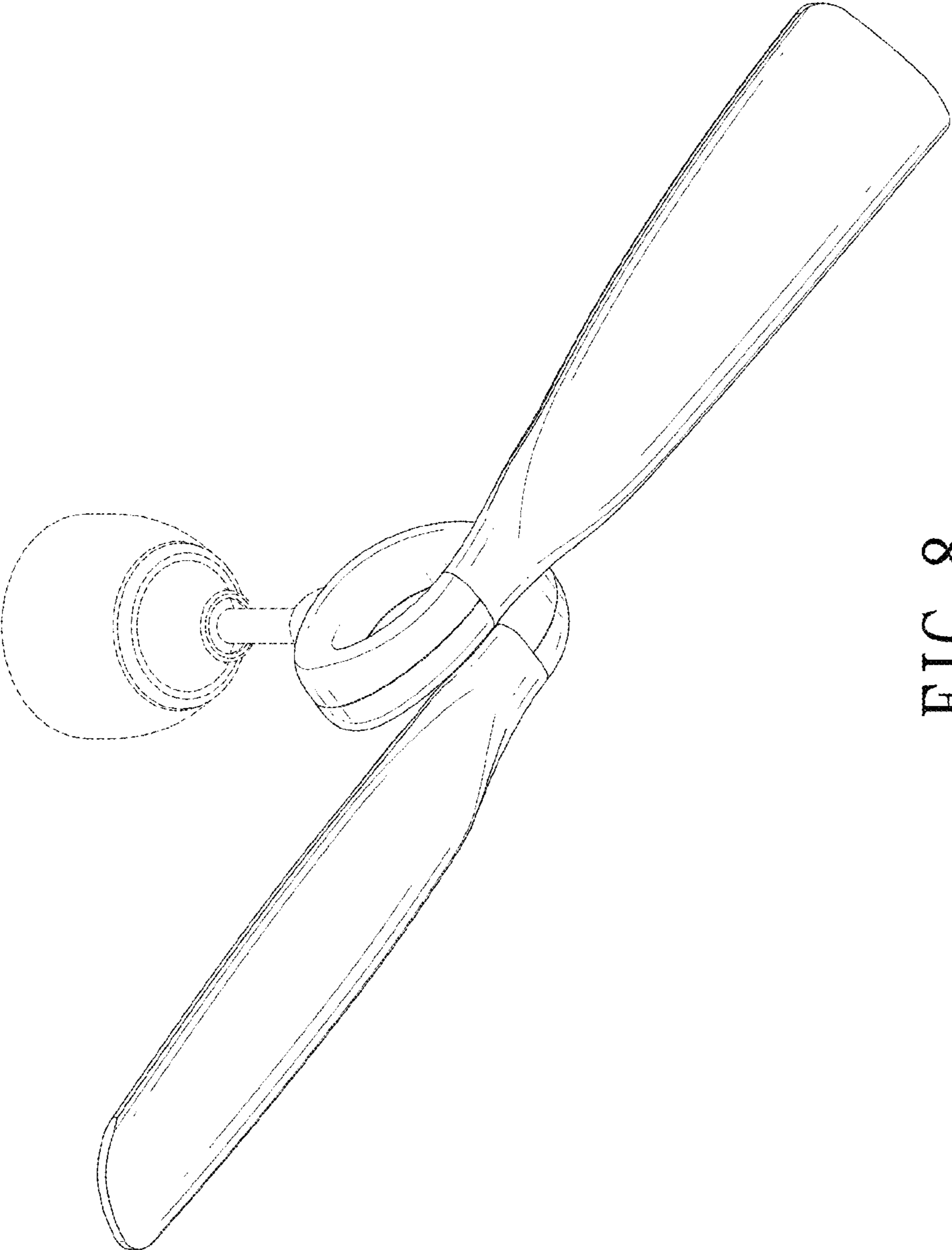


FIG. 8