



US00D744073S

(12) **United States Design Patent**
Waggoner et al.

(10) **Patent No.:** **US D744,073 S**
(45) **Date of Patent:** **** Nov. 24, 2015**

(54) **GUTTER SPOUT**

(71) Applicant: **Camco Manufacturing, Inc.**,
Greensboro, NC (US)

(72) Inventors: **Christopher H. Waggoner**, Greensboro,
NC (US); **Jeffrey R. Russell**, Winston
Salem, NC (US)

(73) Assignee: **Camco Manufacturing, Inc.**,
Greensboro, NC (US)

(**) Term: **14 Years**

(21) Appl. No.: **29/512,202**

(22) Filed: **Dec. 17, 2014**

(51) **LOC (10) Cl.** **23-01**

(52) **U.S. Cl.**
USPC **D23/267**

(58) **Field of Classification Search**

USPC D23/259-263, 266-269, 233; 251/215,
251/216

CPC F16L 11/00; F16L 37/252; F16L 41/007;
E03C 1/26; E03C 1/262; E03C 1/28; E03F
5/04; A61B 5/00; A61M 25/09016

See application file for complete search history.

(56) **References Cited**

U.S. PATENT DOCUMENTS

D324,874 S *	3/1992	Kardach	D16/243
D334,380 S *	3/1993	Henneberger	D13/155
D521,443 S *	5/2006	Parrish	D12/196
D537,030 S	2/2007	Cote, Sr.	D12/400
D552,532 S *	10/2007	Brockington	D12/400

* cited by examiner

Primary Examiner — Sandra Snapp

(74) *Attorney, Agent, or Firm* — Blake P. Hurt; Tuggle
Duggins P.A.

(57) **CLAIM**

The ornamental design for a gutter spout, as shown and
described.

DESCRIPTION

FIG. 1 is a top, left side perspective view of a first embodi-
ment of a left side gutter spout showing my new design;

FIG. 2 is a front elevational view thereof;
 FIG. 3 is a right side elevational view thereof;
 FIG. 4 is a left side elevational view thereof;
 FIG. 5 is a top plan view thereof;
 FIG. 6 is a bottom plan view thereof;
 FIG. 7 is a rear elevational view thereof;
 FIG. 8 is a top plan view of a second embodiment of a side
 gutter spout, a portion of the gutter spout shown broken away
 indicating indeterminate length, that being the only differ-
 ence from embodiment shown in FIGS. 1-7;
 FIG. 9 is a top, left side perspective view of a third embodi-
 ment of a left side gutter spout showing my new design;
 FIG. 10 is a front elevational view thereof;
 FIG. 11 is a right side elevational view thereof;
 FIG. 12 is a left side elevational view thereof;
 FIG. 13 is a top plan view thereof;
 FIG. 14 is a bottom plan view thereof;
 FIG. 15 is a rear elevational view thereof;
 FIG. 16 is a top plan view of a fourth embodiment of a side
 gutter spout, a portion of the gutter spout shown broken away
 indicating indeterminate length, that being the only differ-
 ence from embodiment shown in FIGS. 9-15;
 FIG. 17 is a top, left side perspective view of a fifth embodi-
 ment of a left side gutter spout showing my new design;
 FIG. 18 is a front elevational view thereof;
 FIG. 19 is a right side elevational view thereof;
 FIG. 20 is a left side elevational view thereof;
 FIG. 21 is a top plan view thereof;
 FIG. 22 is a bottom plan view thereof;
 FIG. 23 is a rear elevational view thereof;
 FIG. 24 is a top plan view of a sixth embodiment of a side
 gutter spout, a portion of the gutter spout shown broken away
 indicating indeterminate length, that being the only differ-
 ence from embodiment shown in FIGS. 17-23;
 FIG. 25 is a top, left side perspective view of a seventh
 embodiment of a left side gutter spout showing my new
 design;
 FIG. 26 is a front elevational view thereof;
 FIG. 27 is a right side elevational view thereof;
 FIG. 28 is a left side elevational view thereof;
 FIG. 29 is a top plan view thereof;
 FIG. 30 is a bottom plan view thereof;
 FIG. 31 is a rear elevational view thereof;

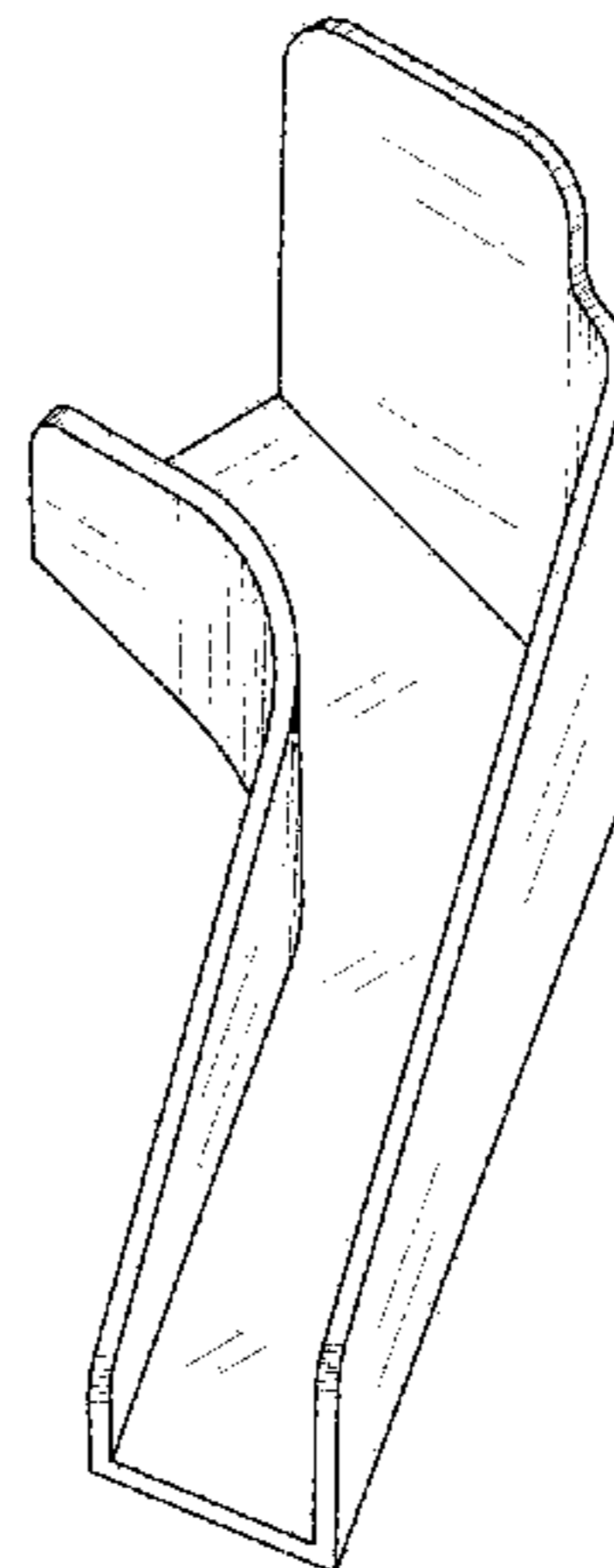
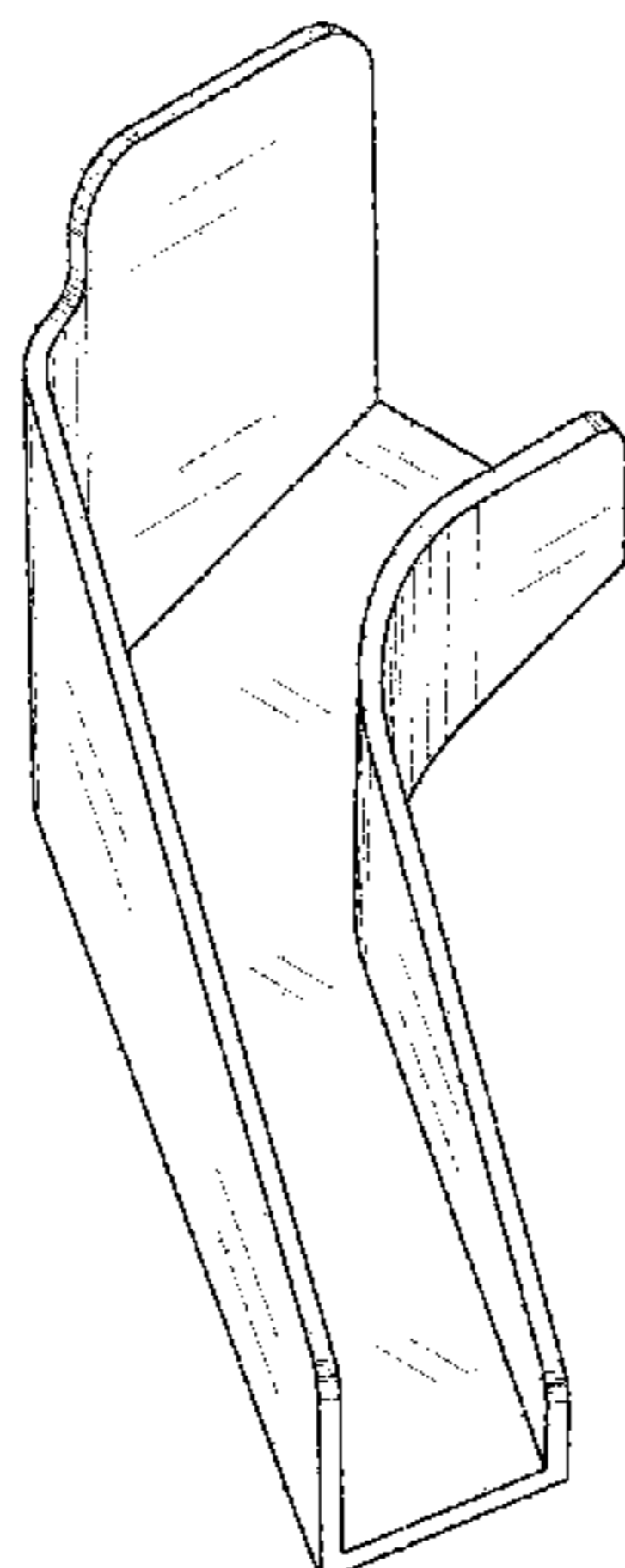


FIG. 32 is a top plan view of a eighth embodiment of a side gutter spout, a portion of the gutter spout shown broken away indicating indeterminate length, that being the only difference from embodiment shown in FIGS. 25-31;

FIG. 33 is a top, left side perspective view of a ninth embodiment of a right side gutter spout showing my new design;

FIG. 34 is a front elevational view thereof;

FIG. 35 is a left side elevational view thereof;

FIG. 36 is a right side elevational view thereof;

FIG. 37 is a top plan view thereof;

FIG. 38 is a bottom plan view thereof;

FIG. 39 is a rear elevational view thereof;

FIG. 40 is a top plan view of a tenth embodiment of a side gutter spout, a portion of the gutter spout shown broken away indicating indeterminate length, that being the only difference from embodiment shown in FIGS. 33-39;

FIG. 41 is a top, left side perspective view of a eleventh embodiment of a right side gutter spout showing my new design;

FIG. 42 is a front elevational view thereof;

FIG. 43 is a left side elevational view thereof;

FIG. 44 is a right side elevational view thereof;

FIG. 45 is a top plan view thereof;

FIG. 46 is a bottom plan view thereof;

FIG. 47 is a rear elevational view thereof;

FIG. 48 is a top plan view of a twelfth embodiment of a side gutter spout, a portion of the gutter spout shown broken away indicating indeterminate length, that being the only difference from embodiment shown in FIGS. 41-47;

FIG. 49 is a top, left side perspective view of a thirteenth embodiment of a right side gutter spout showing my new design;

FIG. 50 is a front elevational view thereof;

FIG. 51 is a left side elevational view thereof;

FIG. 52 is a right side elevational view thereof;

FIG. 53 is a top plan view thereof;

FIG. 54 is a bottom plan view thereof;

FIG. 55 is a rear elevational view thereof;

FIG. 56 is a top plan view of a fourteenth embodiment of a side gutter spout, a portion of the gutter spout shown broken away indicating indeterminate length, that being the only difference from embodiment shown in FIGS. 49-55;

FIG. 57 is a top, left side perspective view of a fifteenth embodiment of a right side gutter spout showing my new design;

FIG. 58 is a front elevational view thereof;

FIG. 59 is a left side elevational view thereof;

FIG. 60 is a right side elevational view thereof;

FIG. 61 is a top plan view thereof;

FIG. 62 is a bottom plan view thereof;

FIG. 63 is a rear elevational view thereof; and,

FIG. 64 is a top plan view of a sixteenth embodiment of a side gutter spout, a portion of the gutter spout shown broken away indicating indeterminate length, that being the only difference from embodiment shown in FIGS. 57-63.

1 Claim, 64 Drawing Sheets

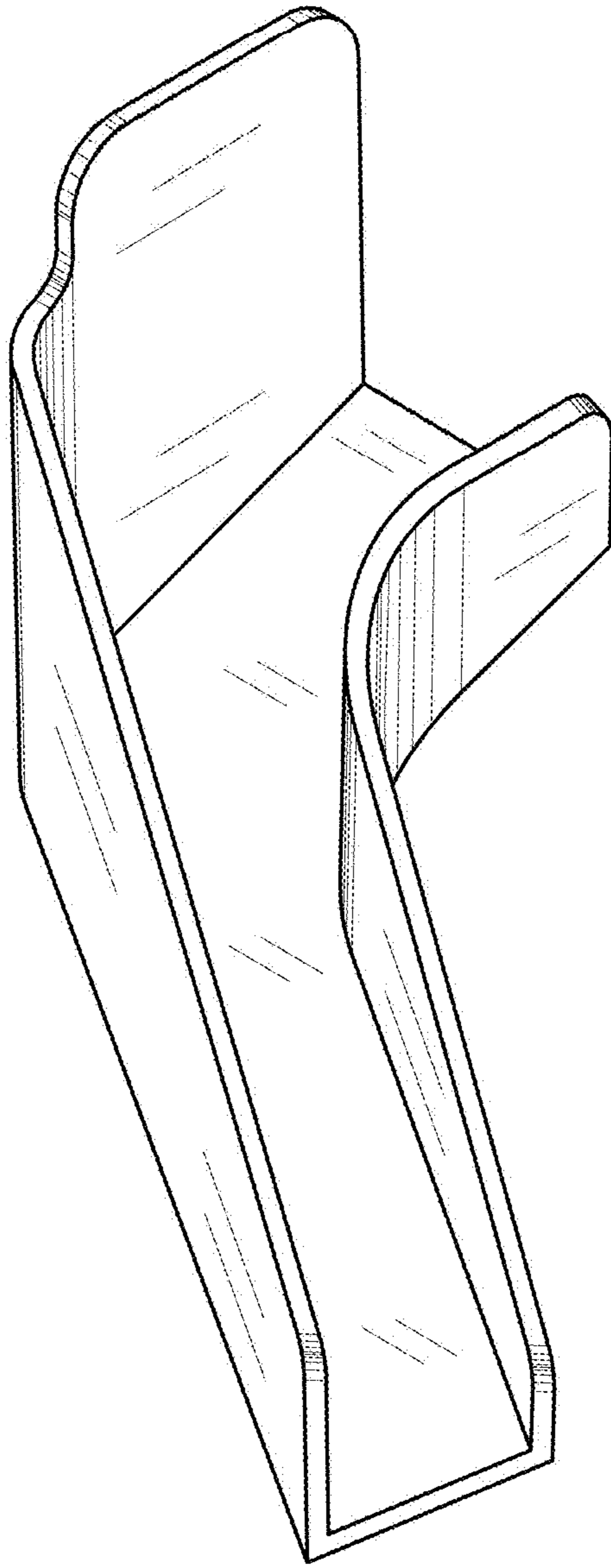


Fig. 1

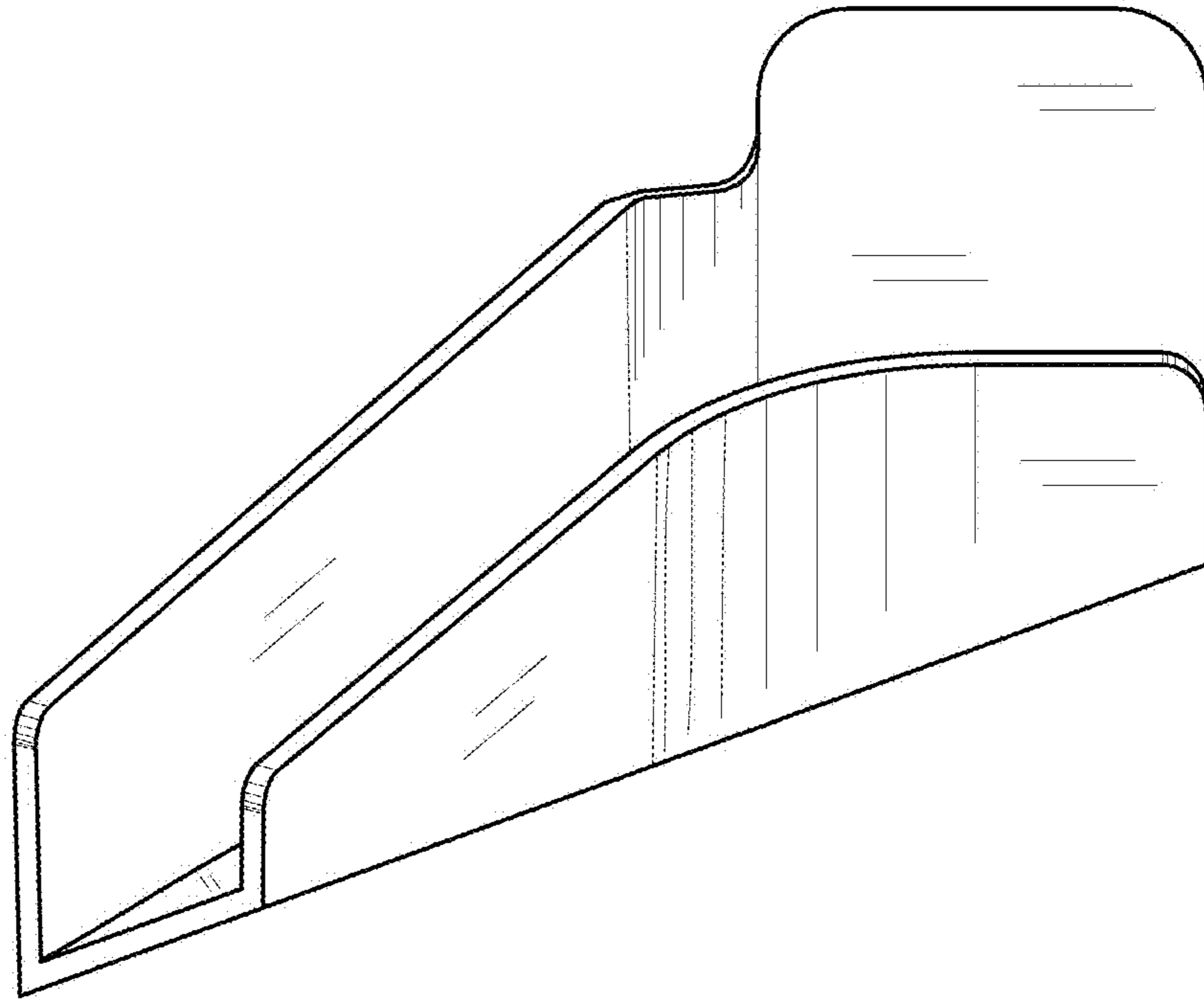


Fig. 2

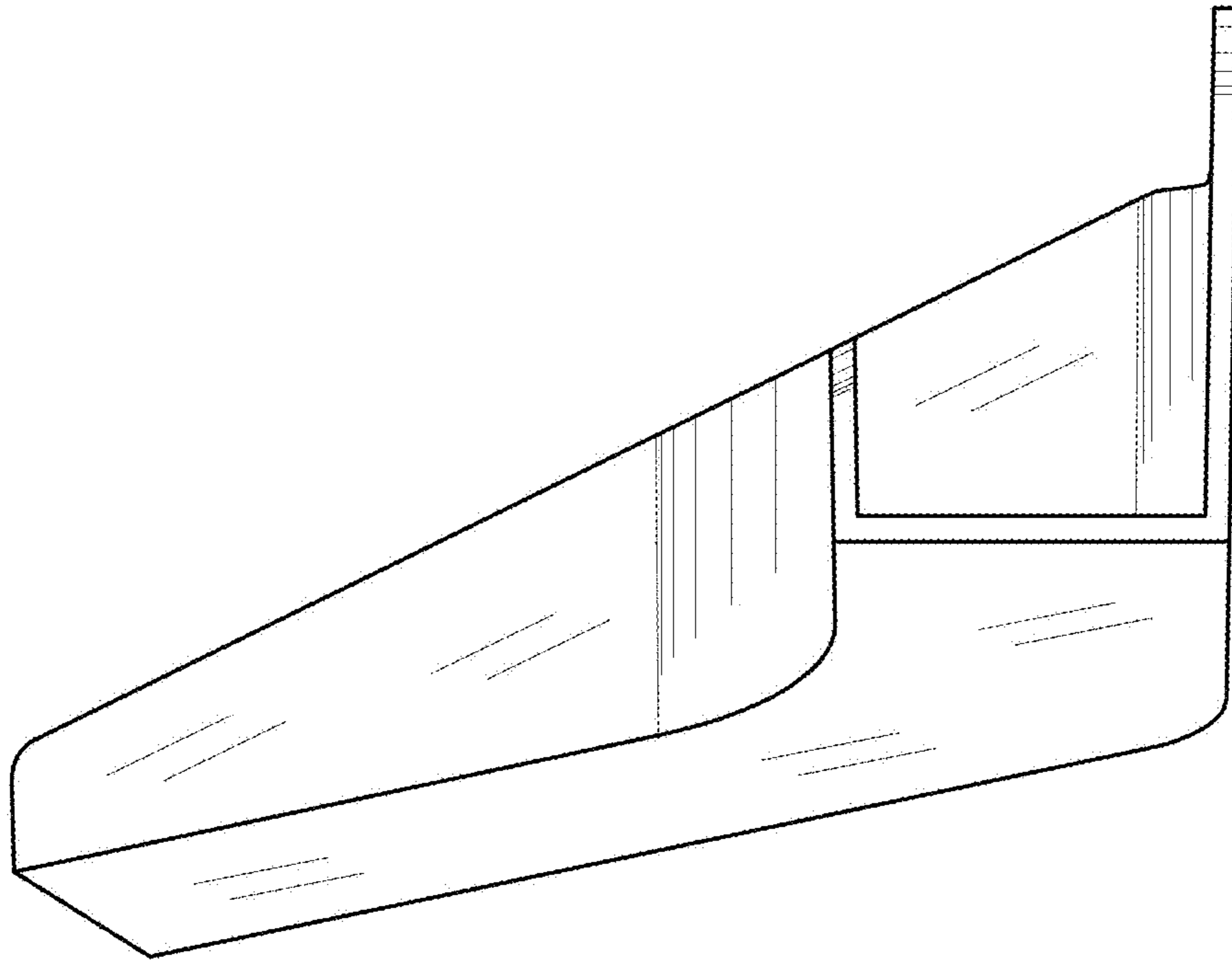


Fig. 3

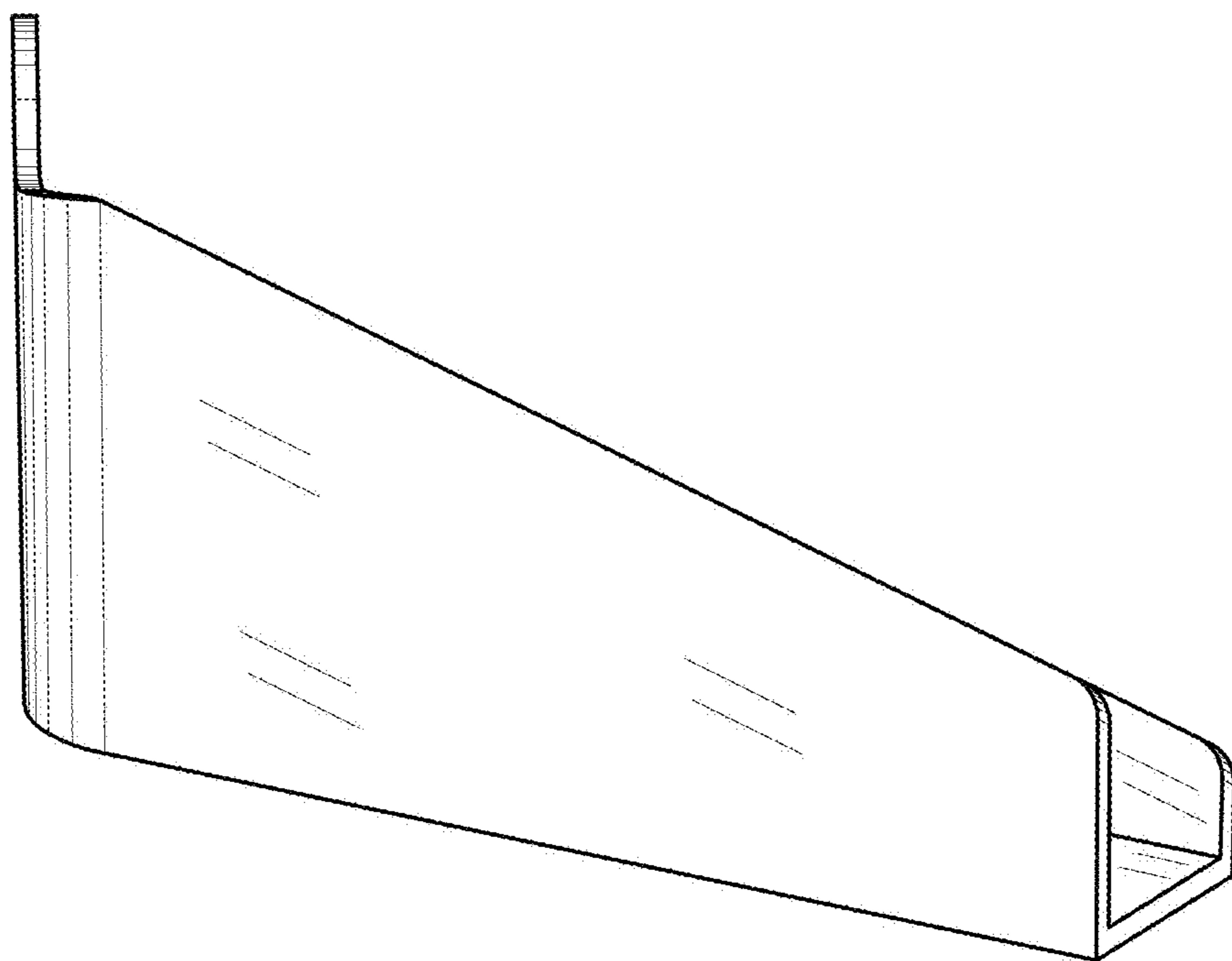


Fig. 4

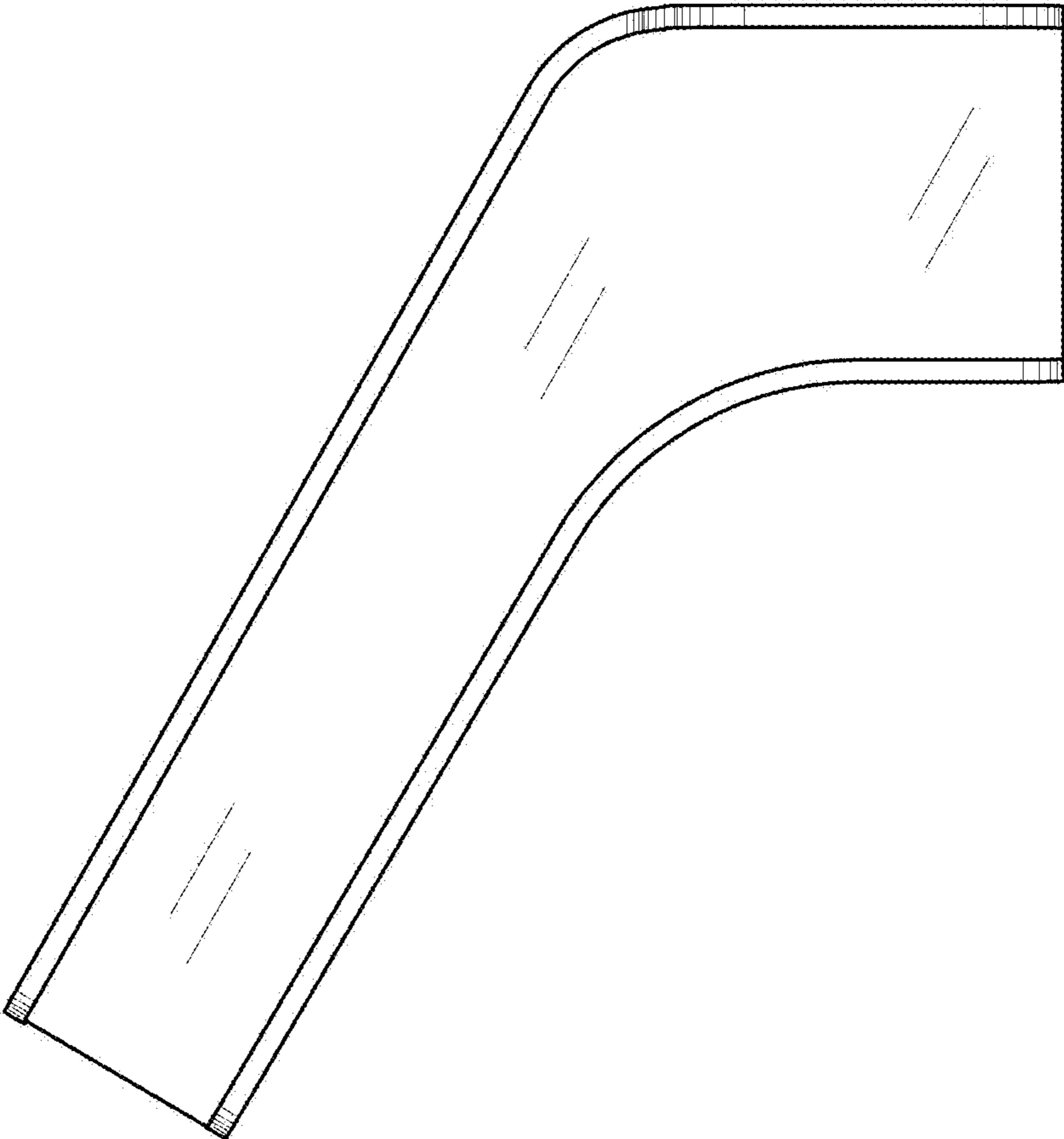


Fig. 5

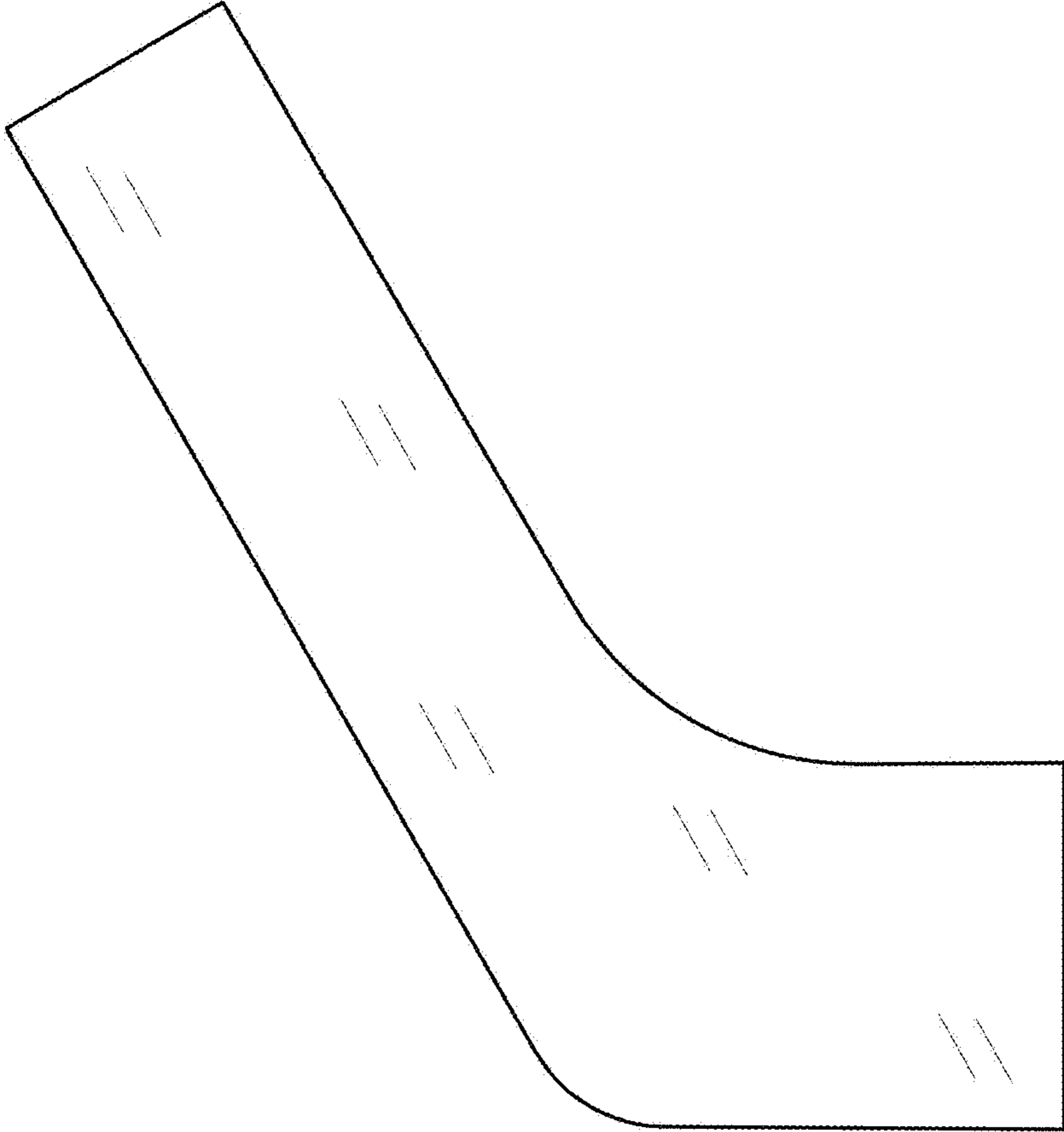


Fig. 6

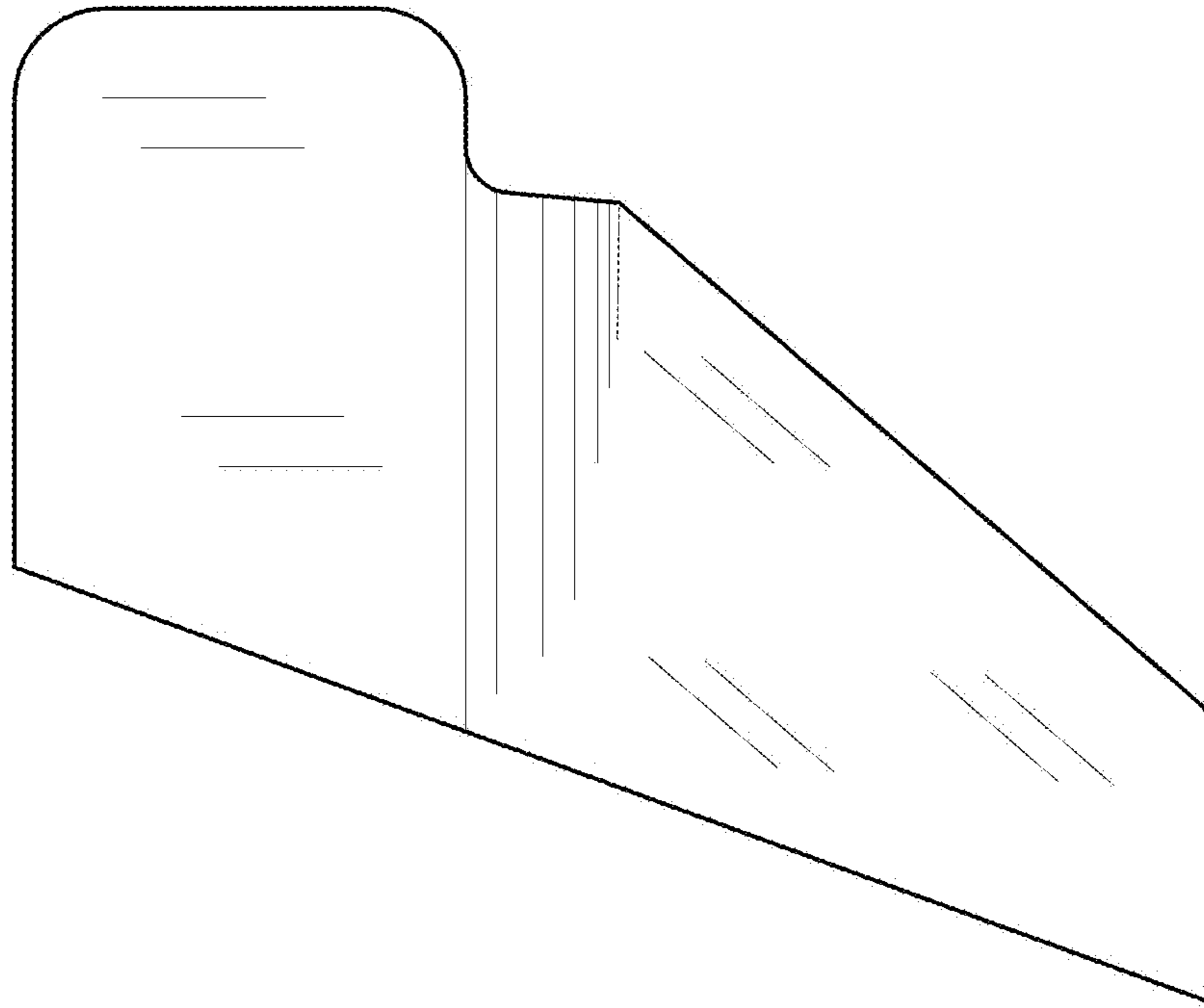


Fig. 7

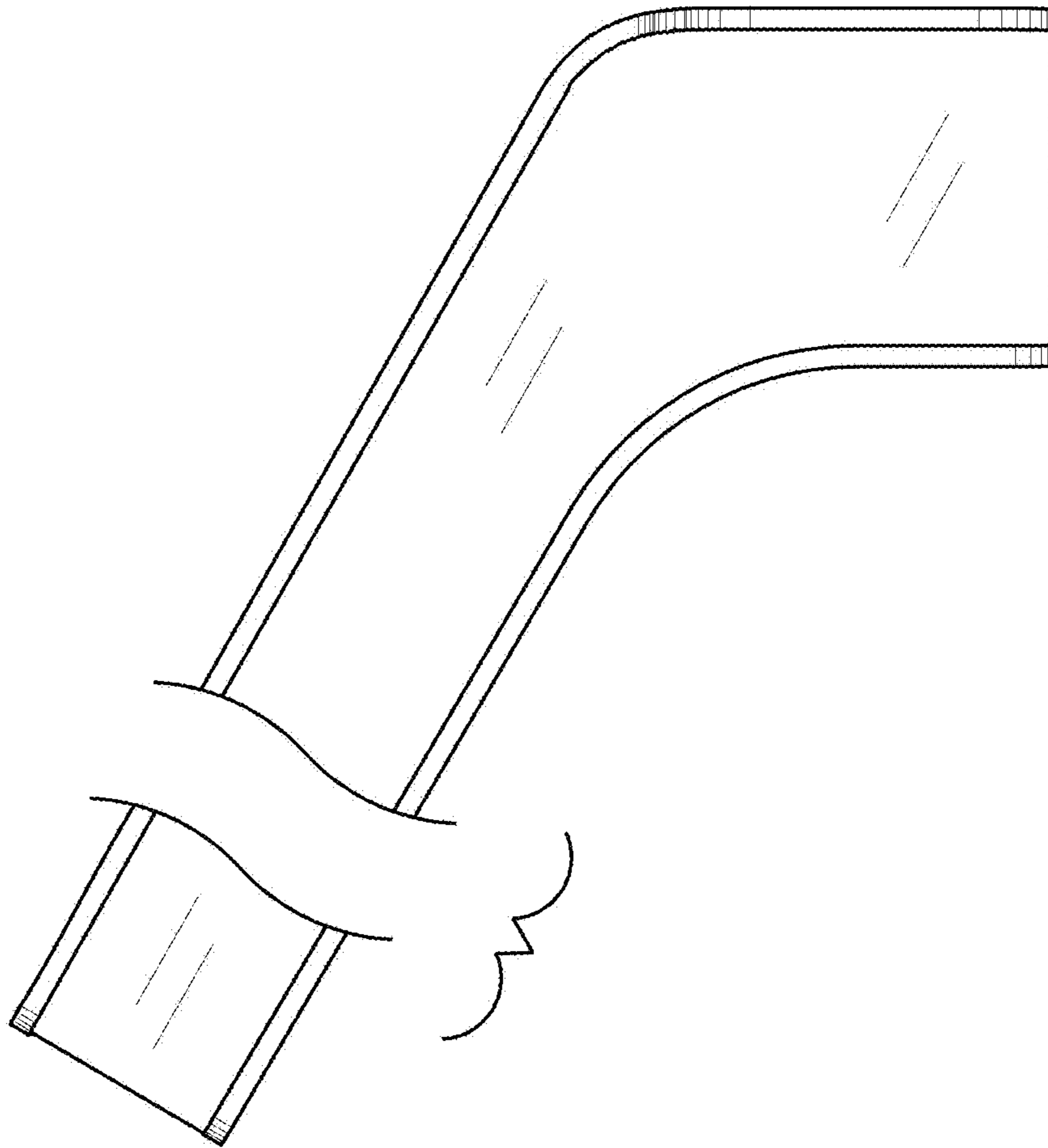


Fig. 8

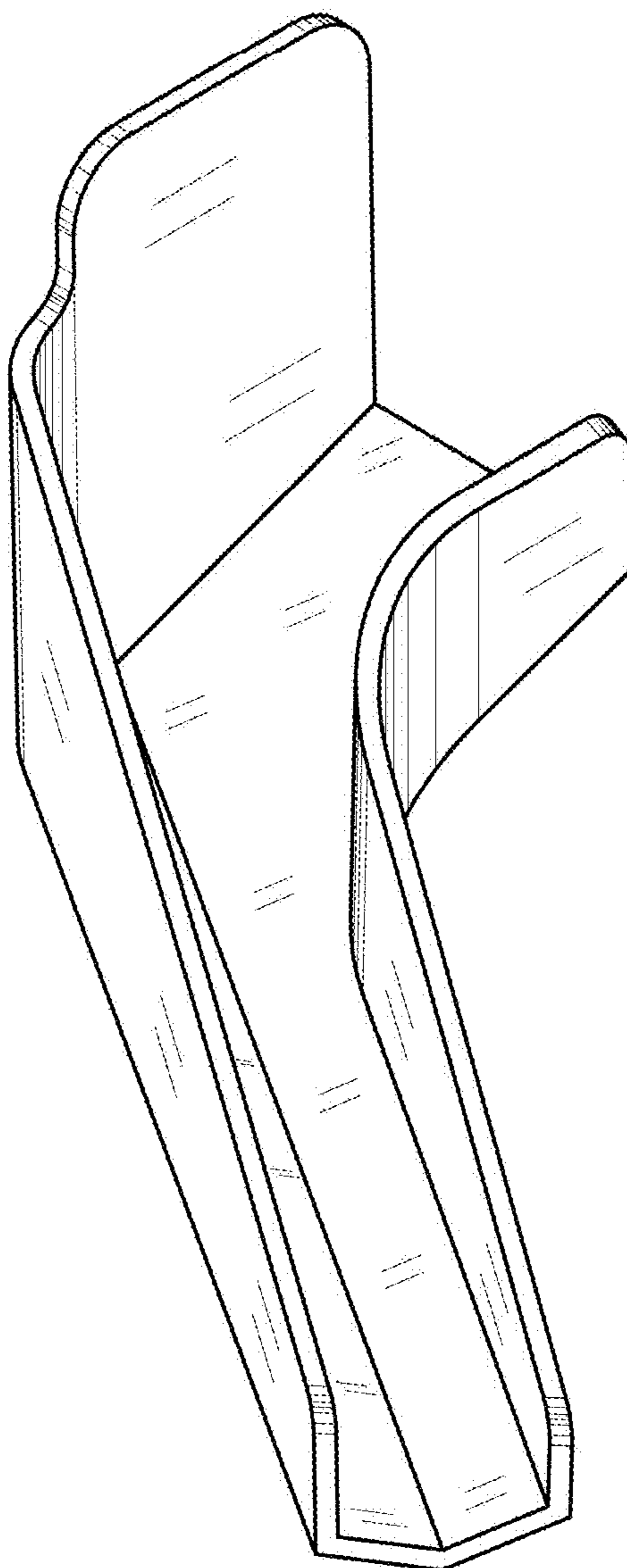


Fig. 9

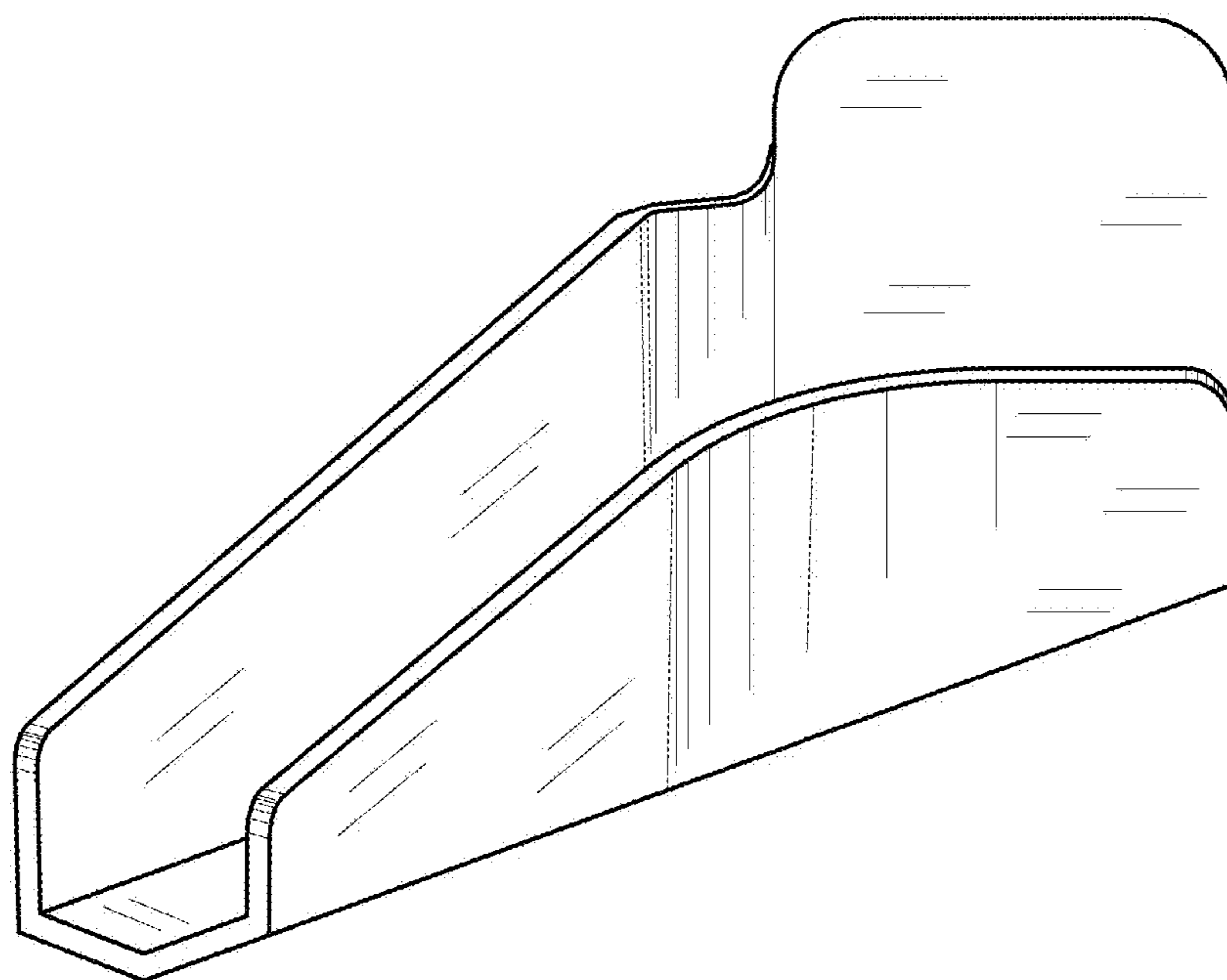


Fig. 10

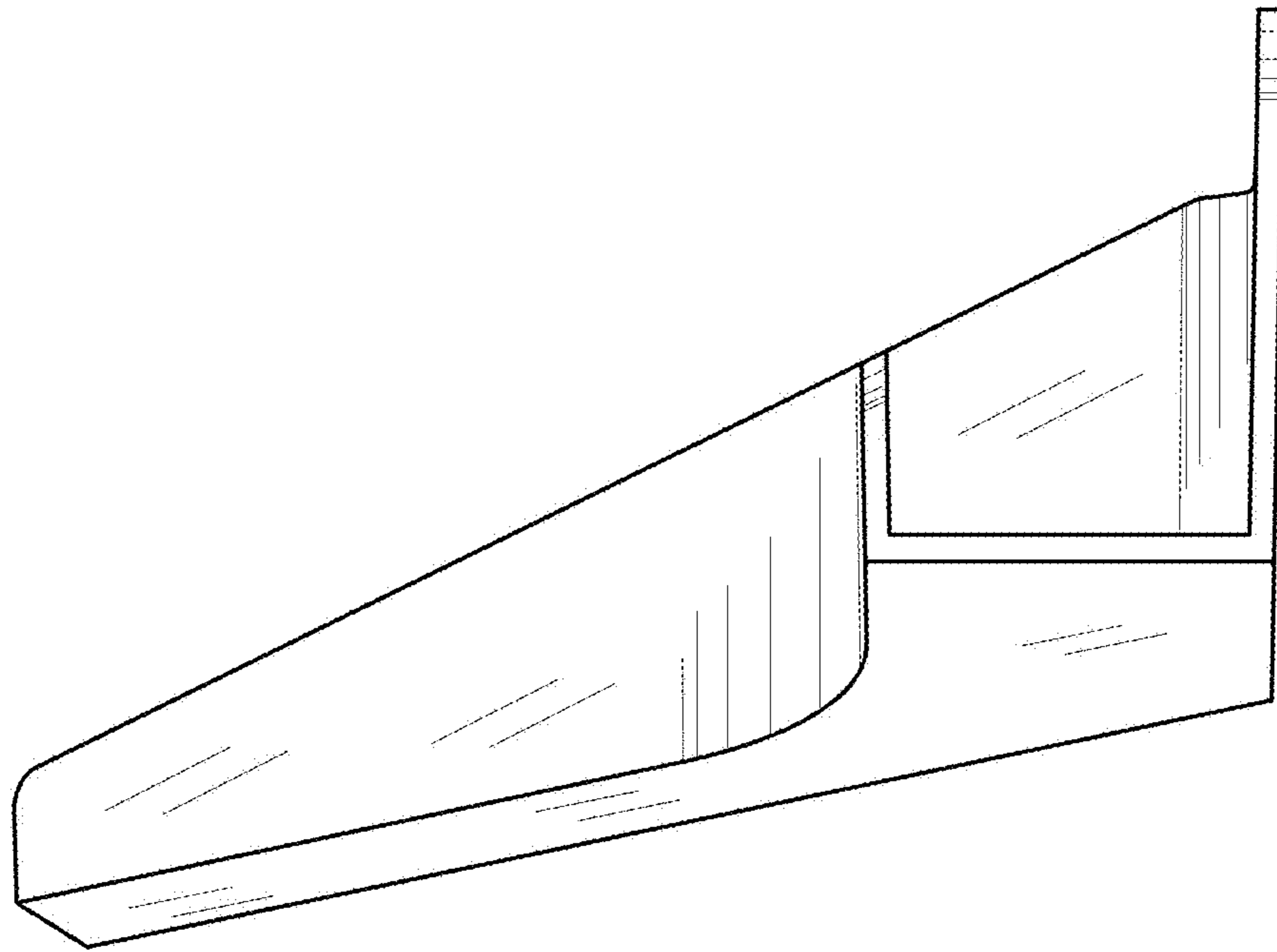


Fig. 11

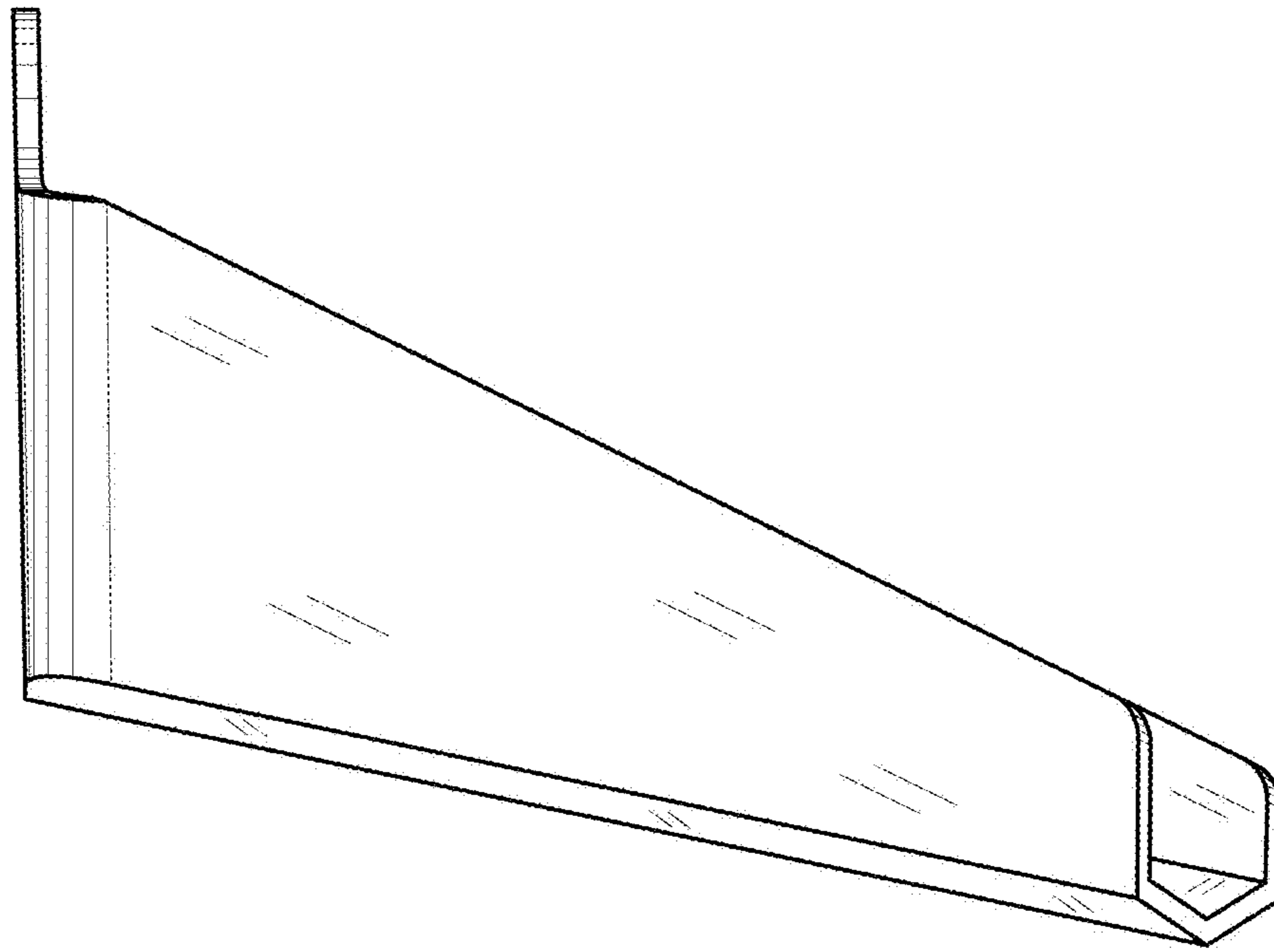


Fig. 12

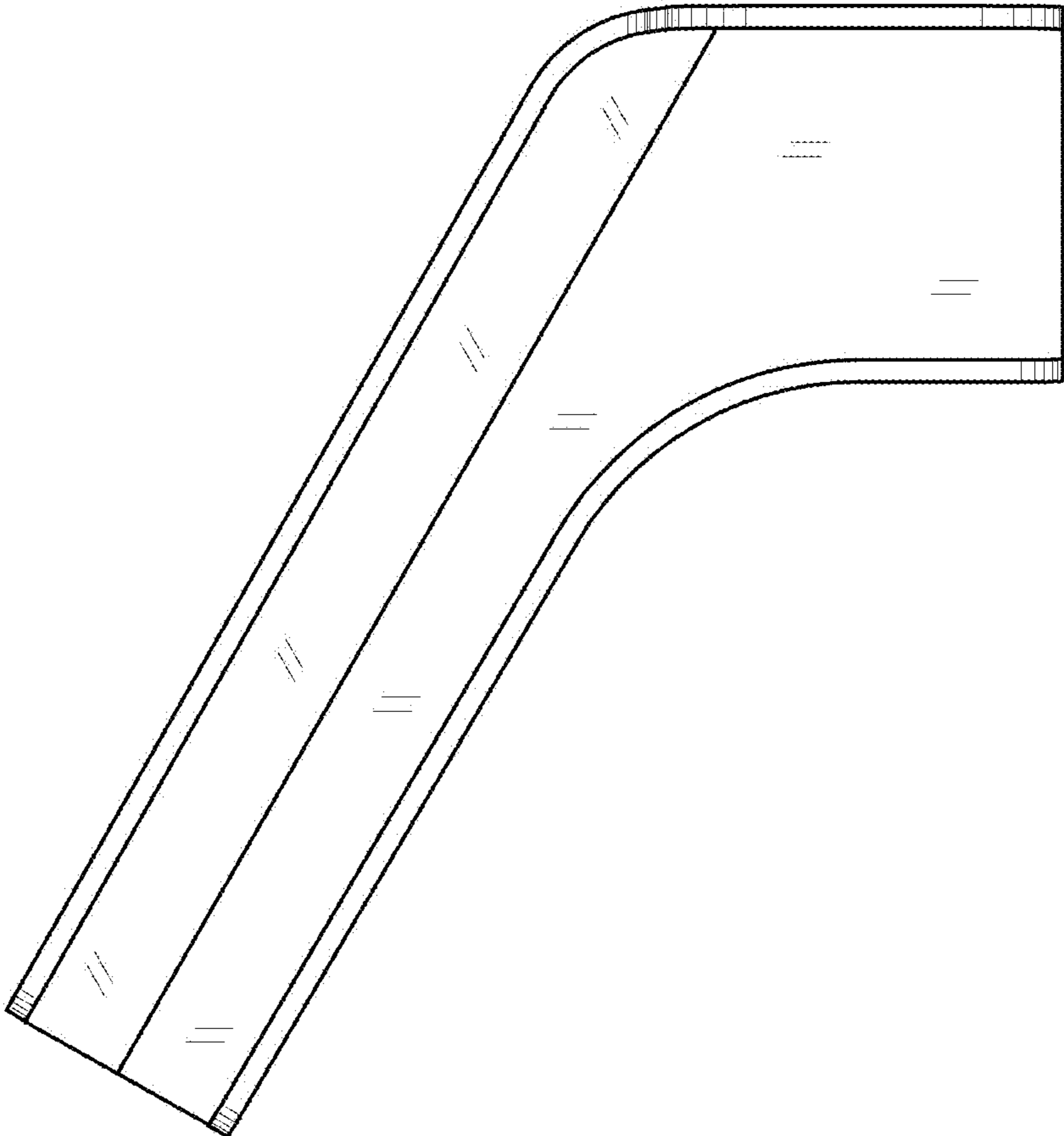


Fig. 13

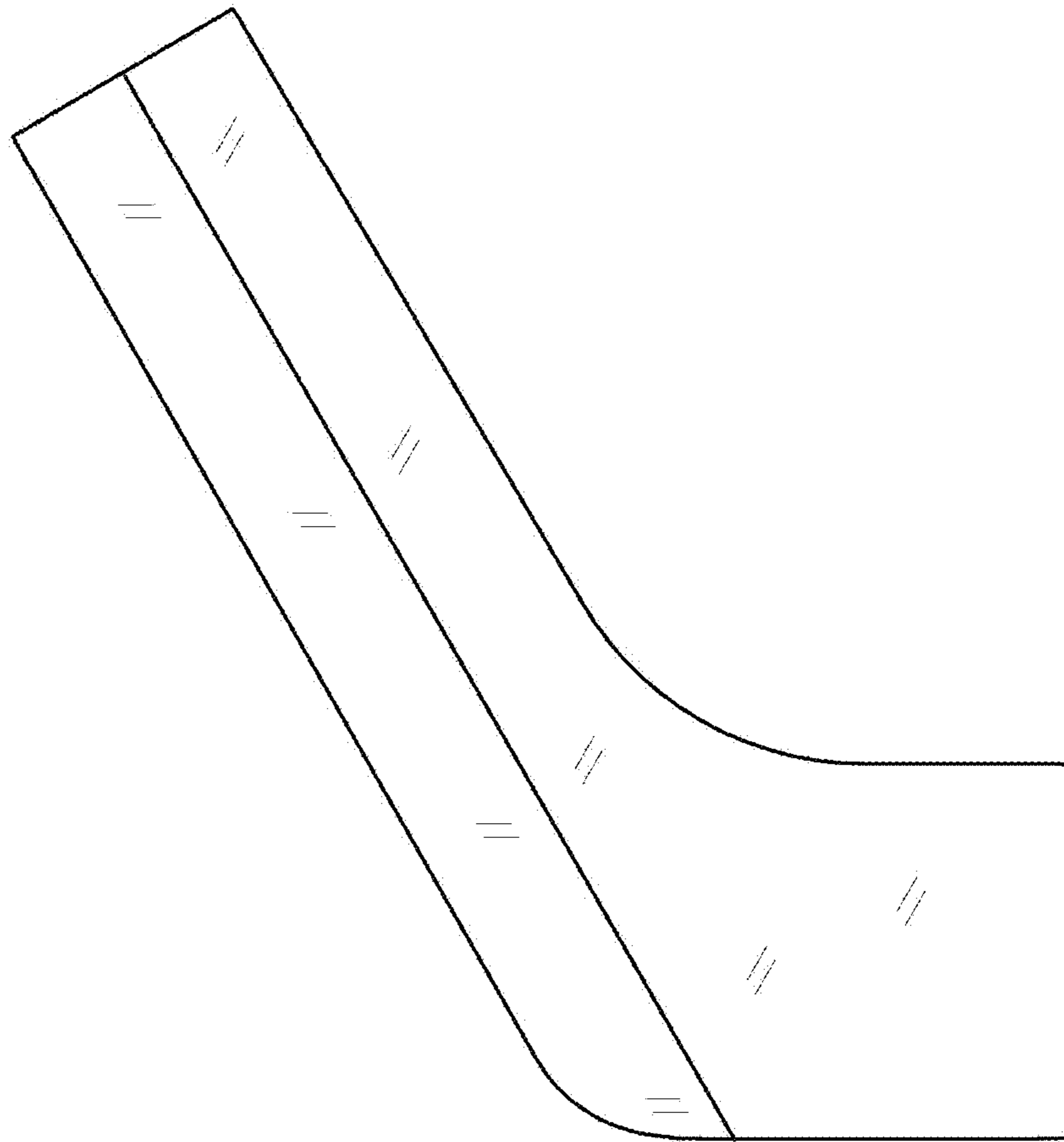


Fig. 14

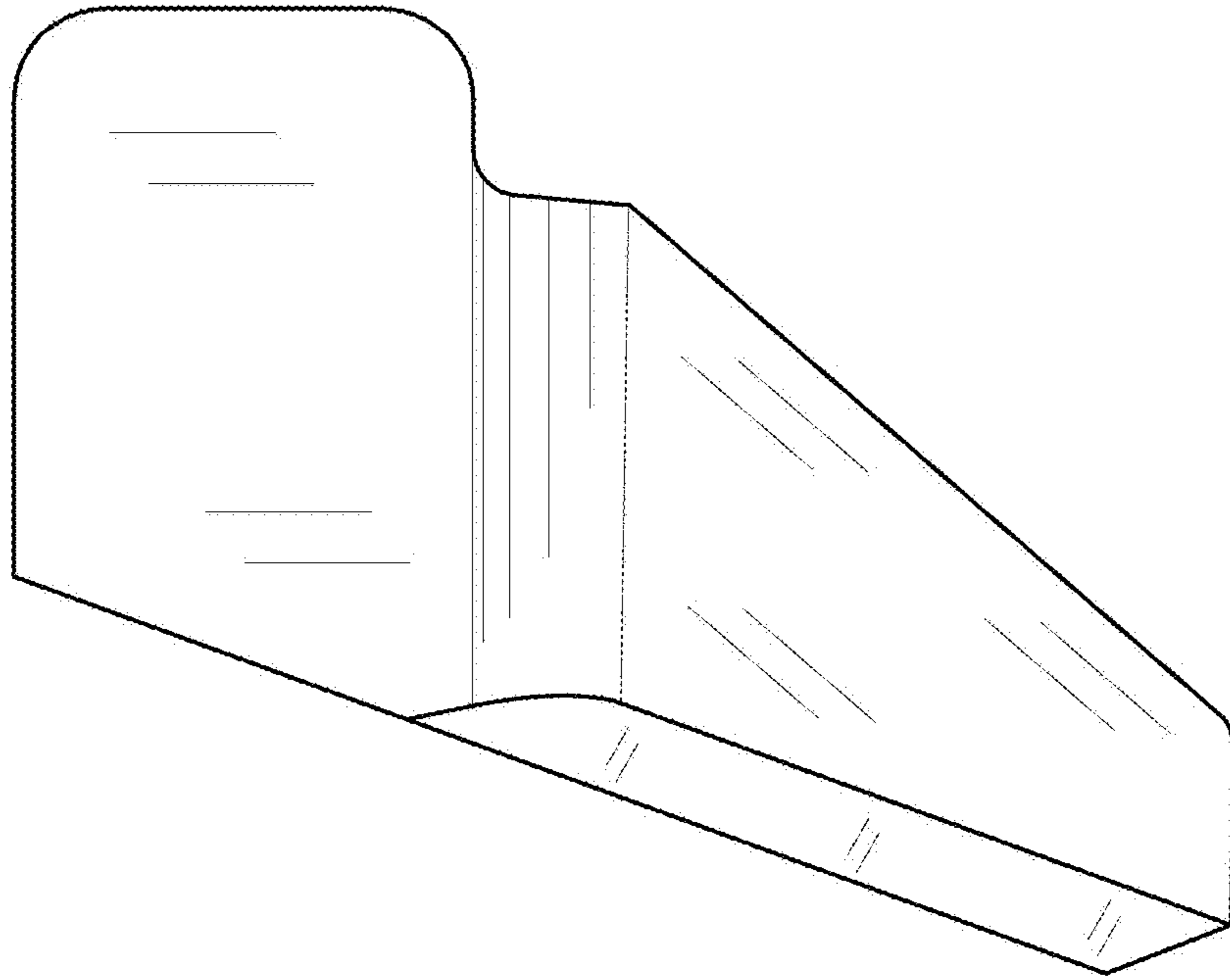


Fig. 15

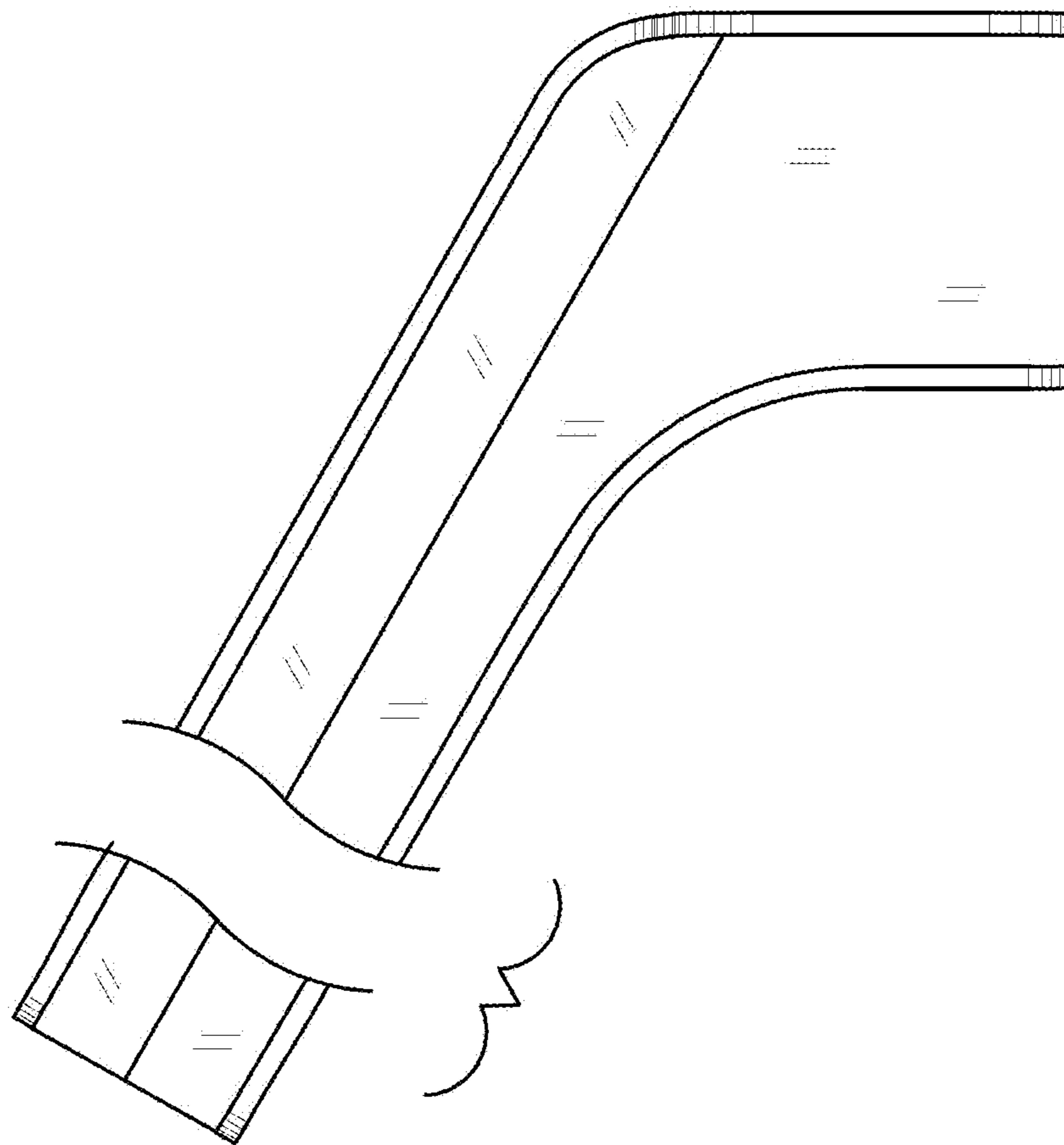


Fig. 16

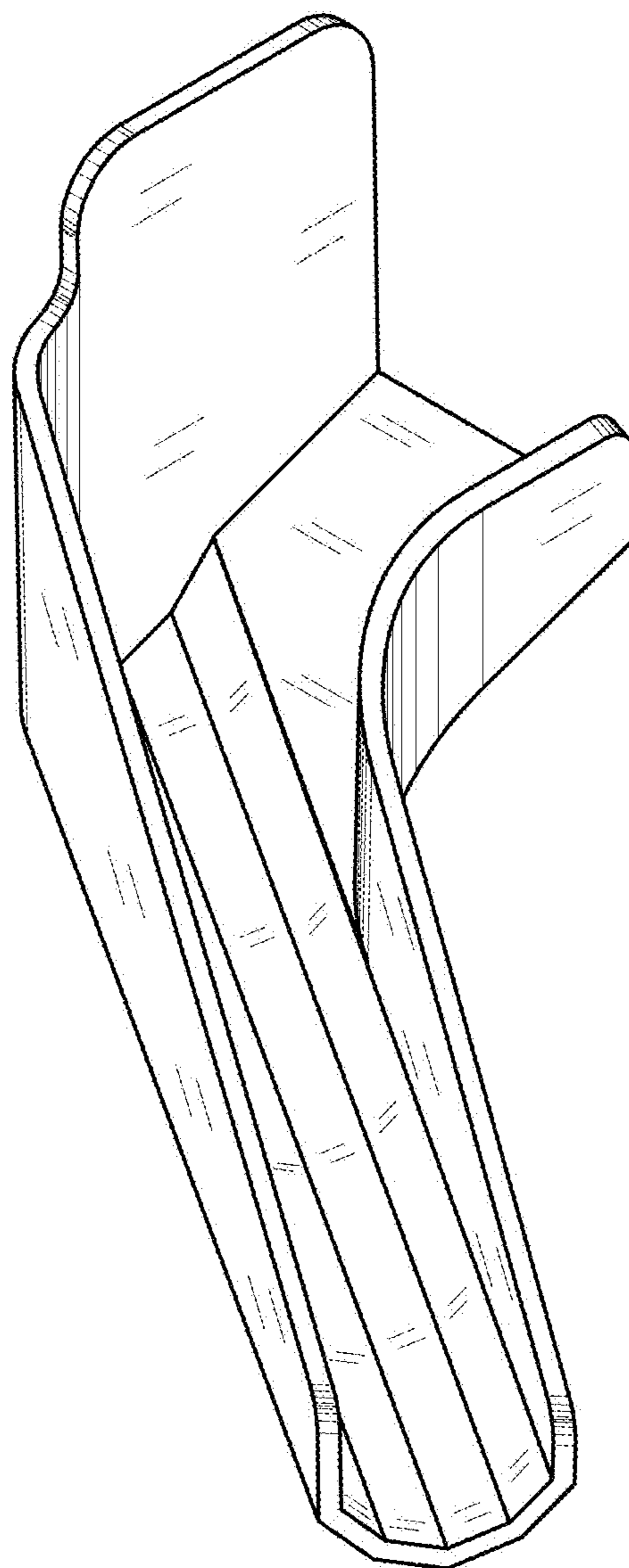


Fig. 17

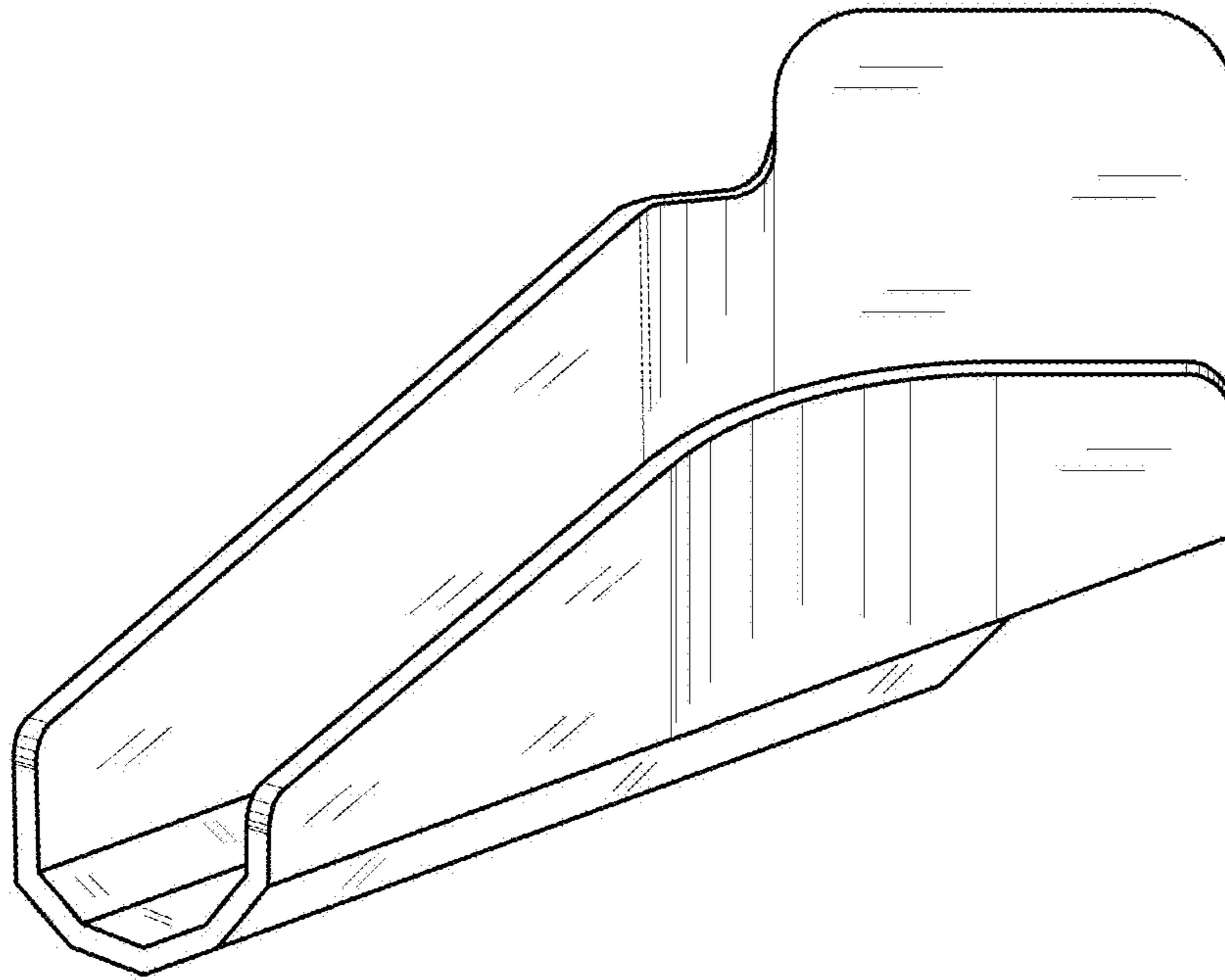


Fig. 18

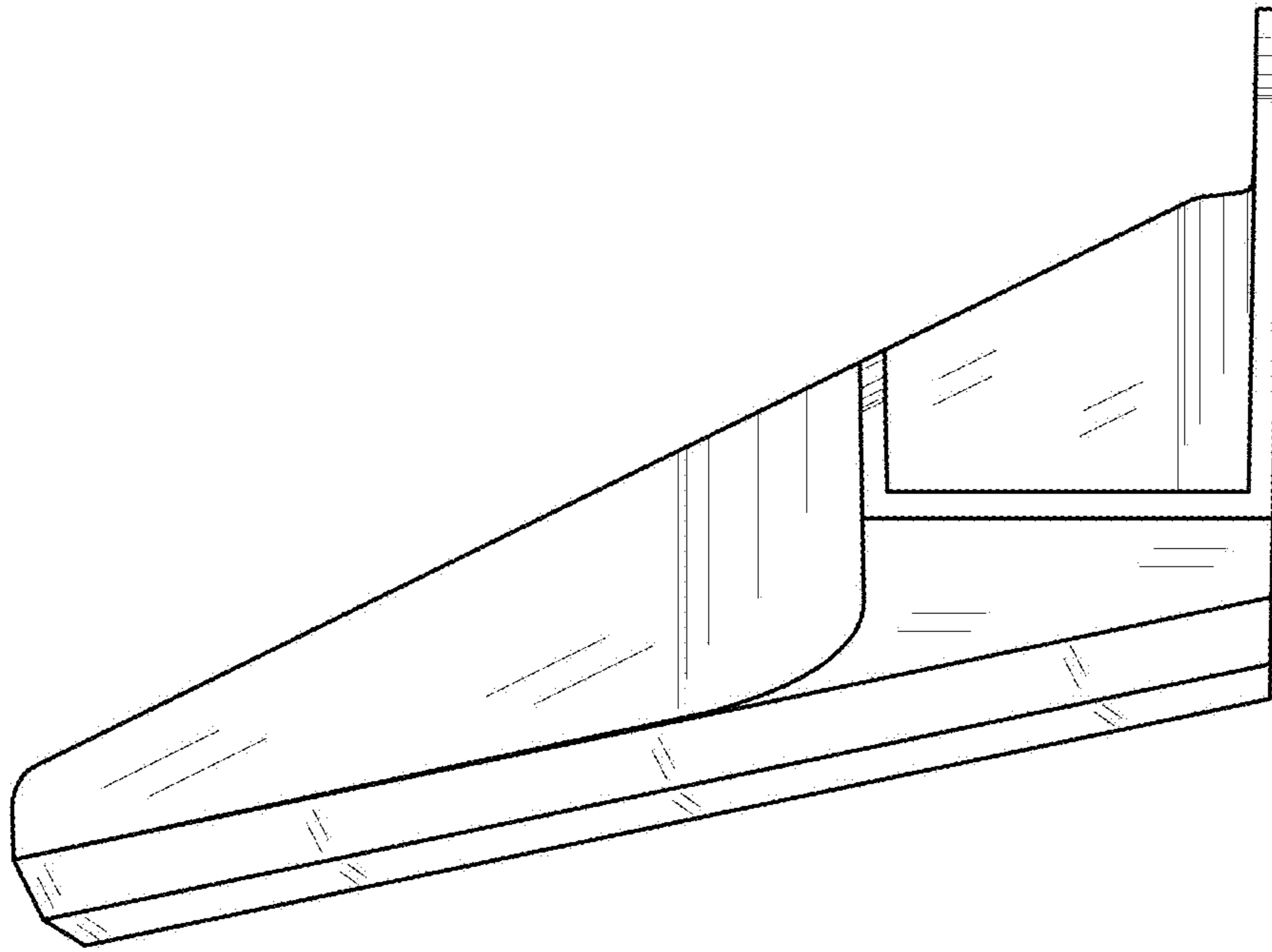


Fig. 19

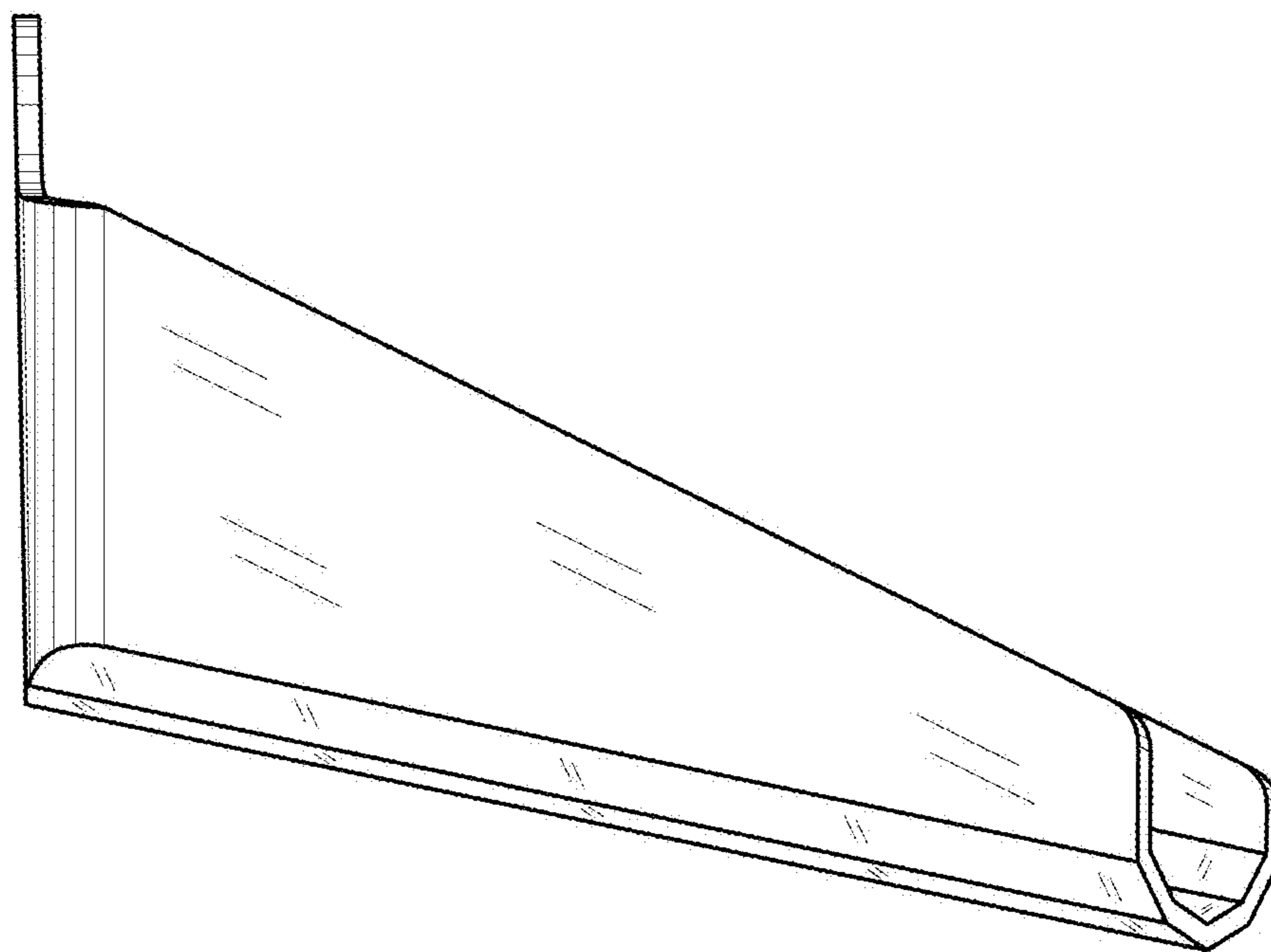


Fig. 20

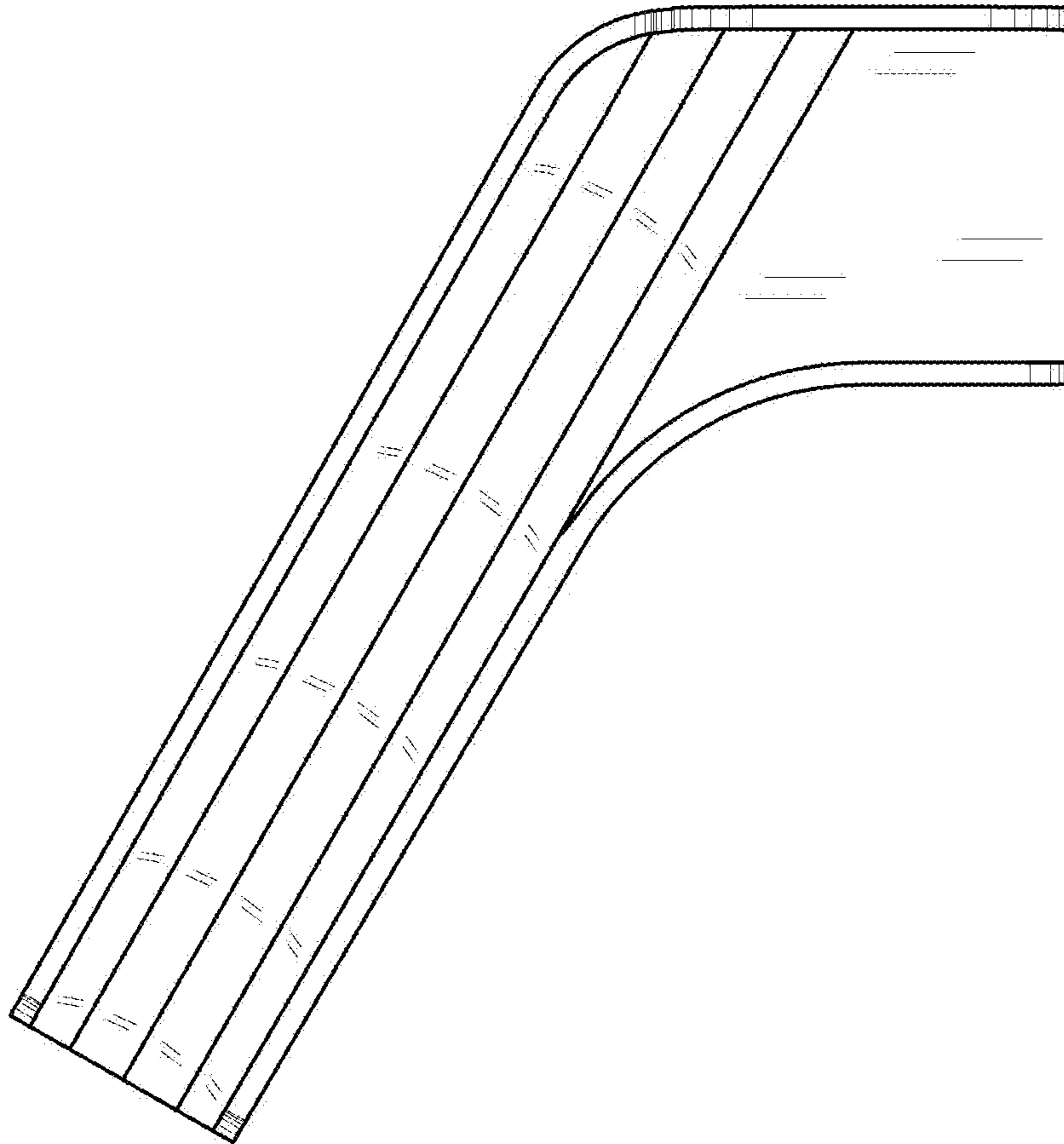


Fig. 21

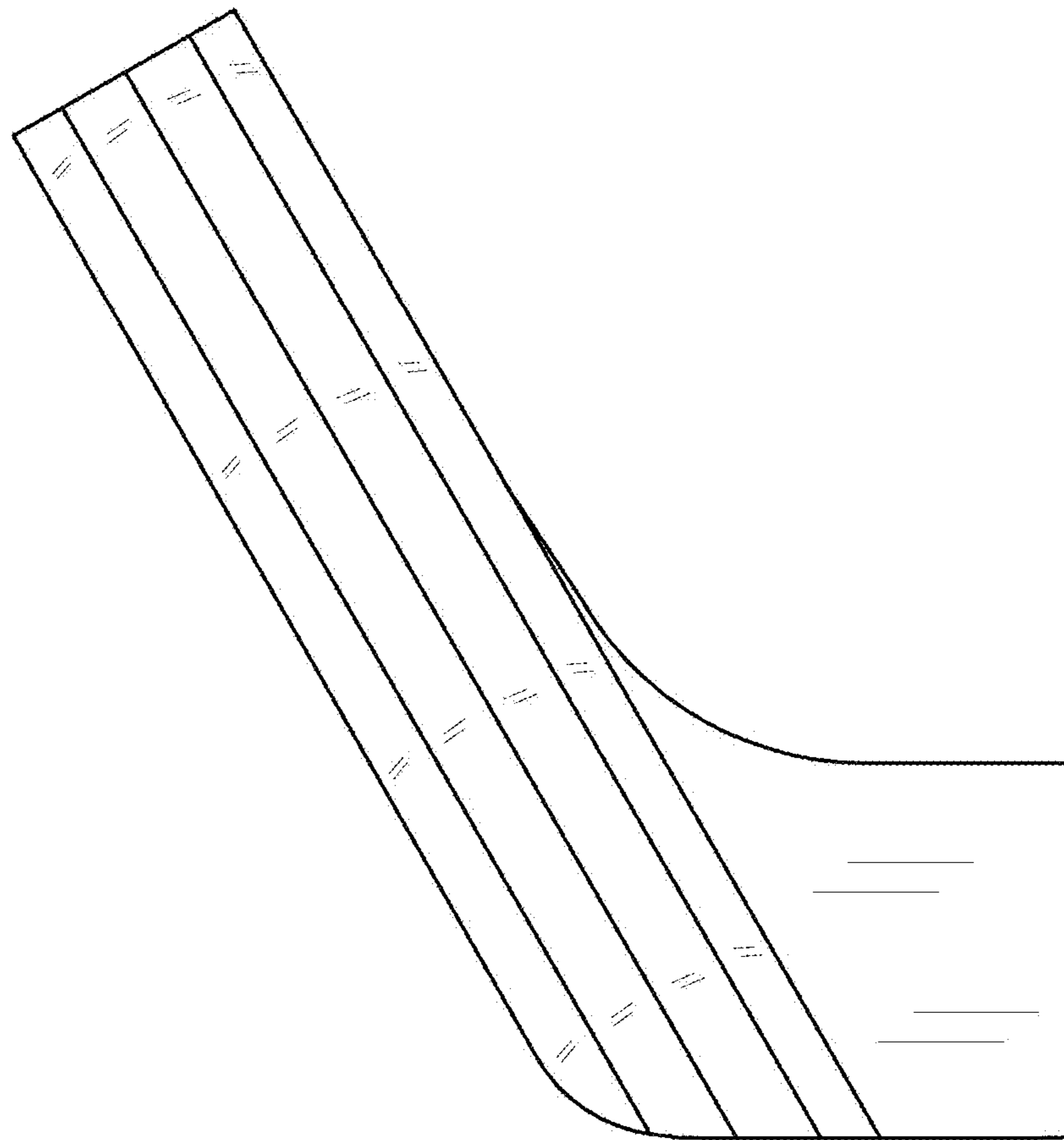


Fig. 22

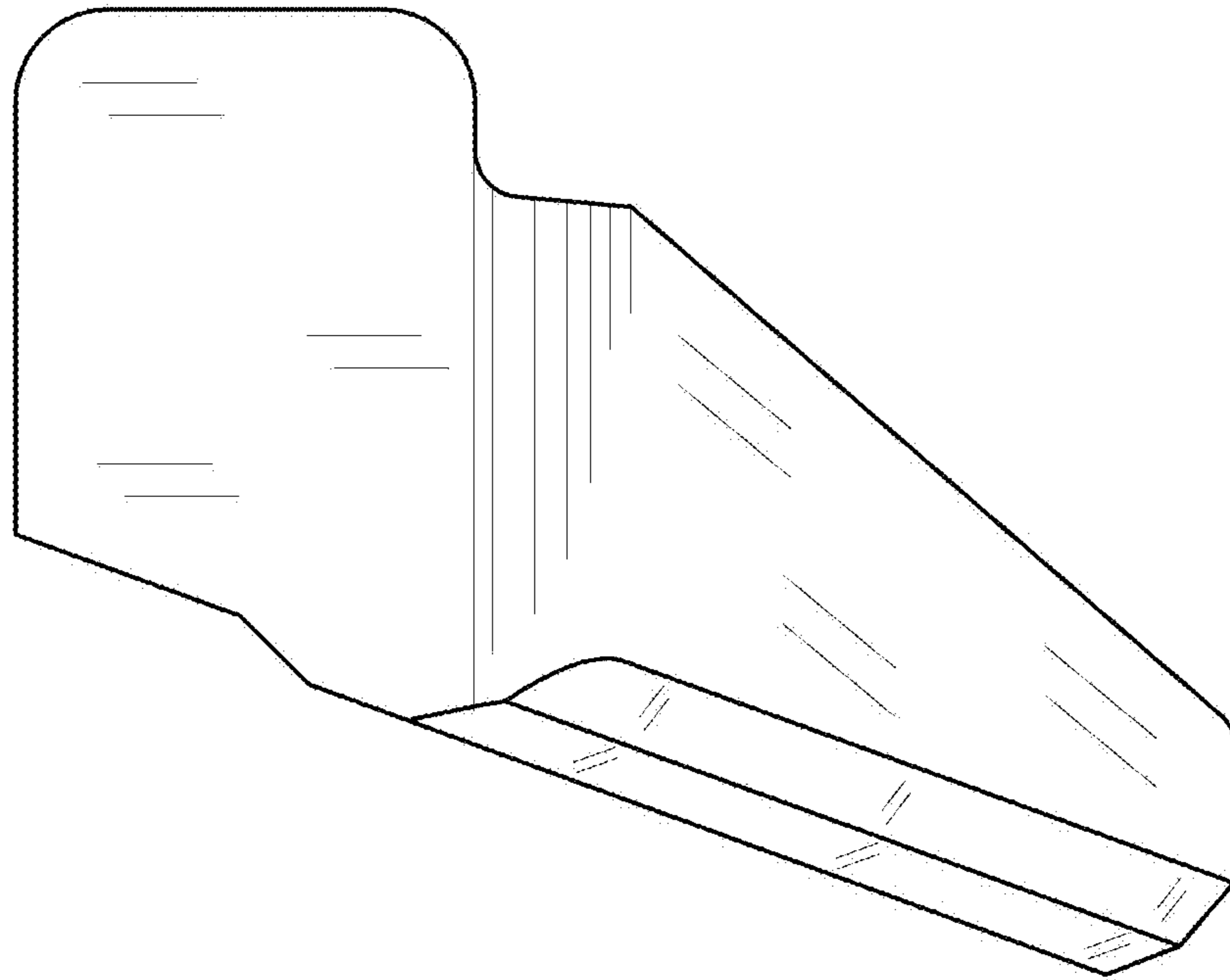


Fig. 23

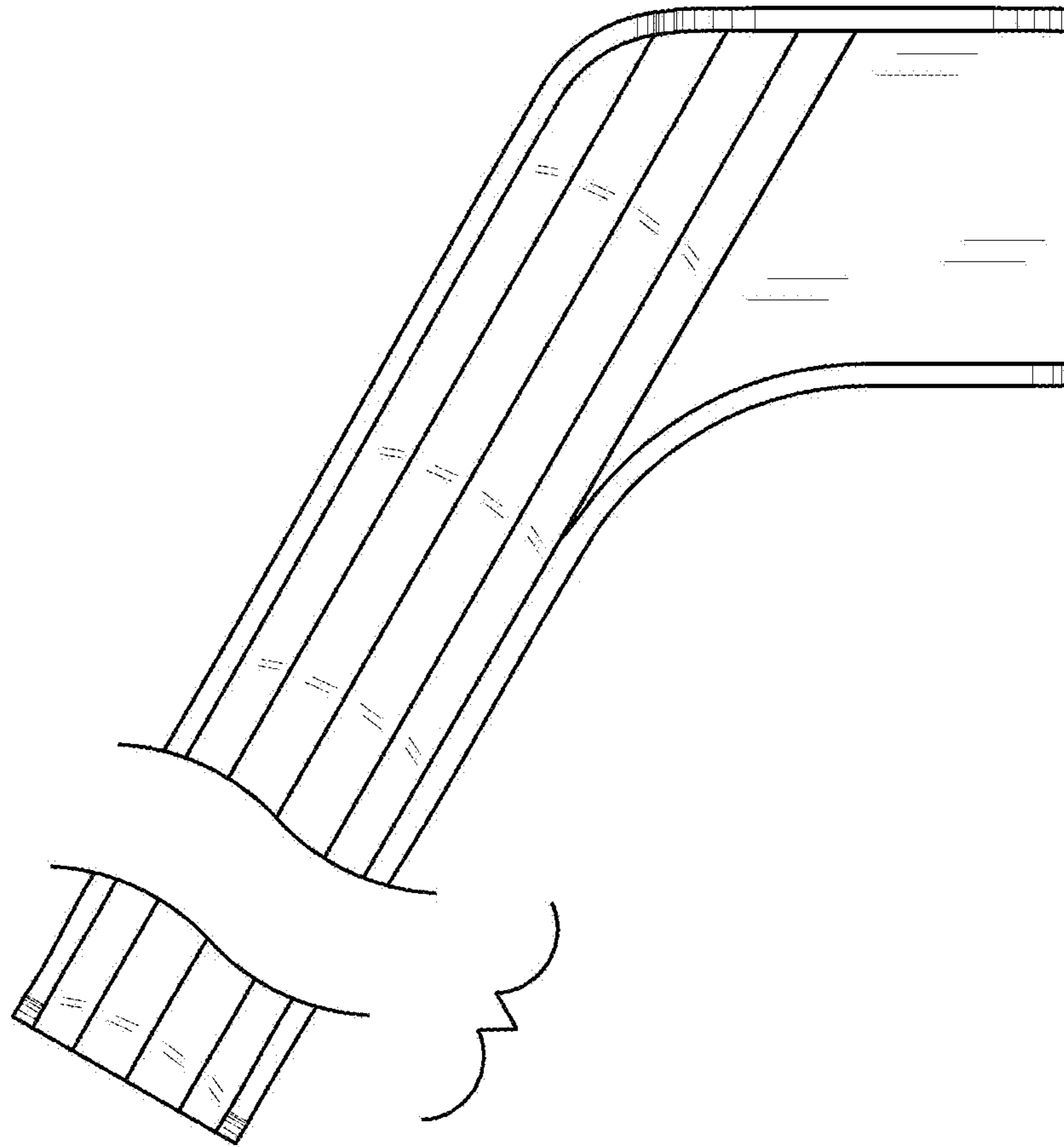


Fig. 24

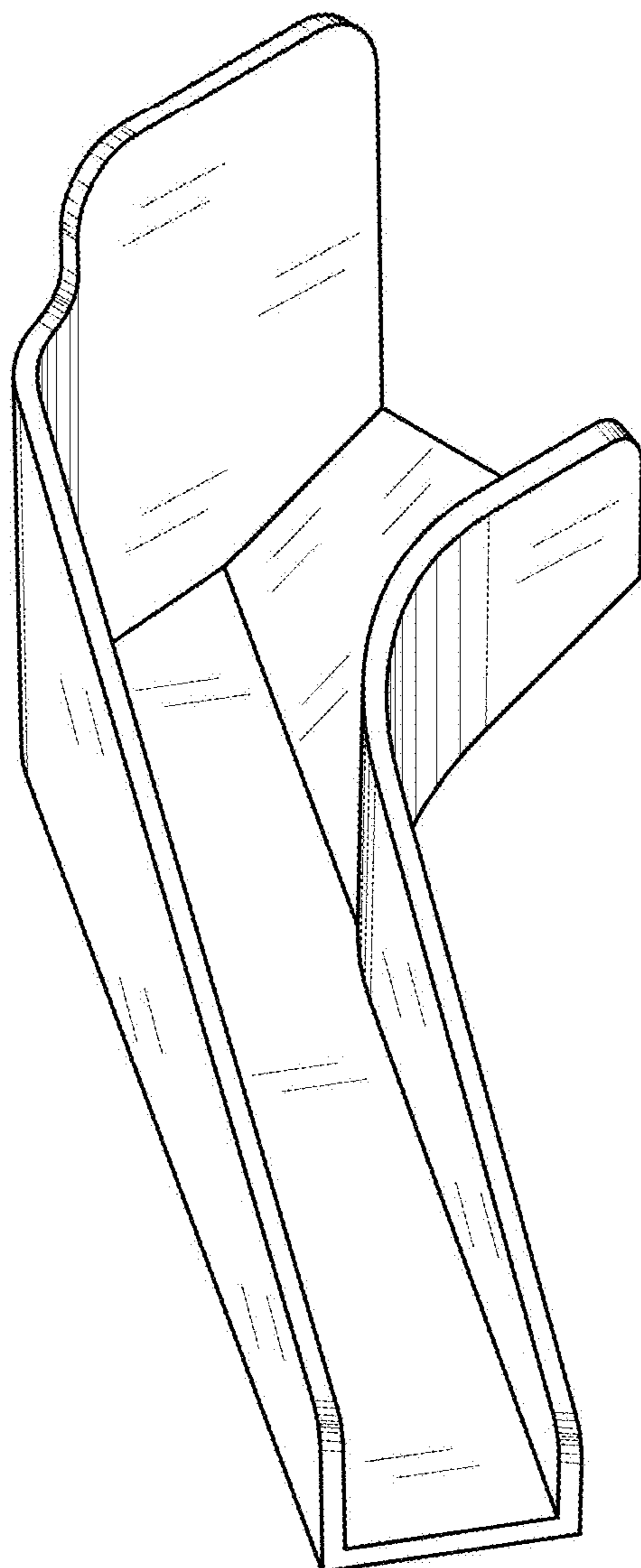


Fig. 25

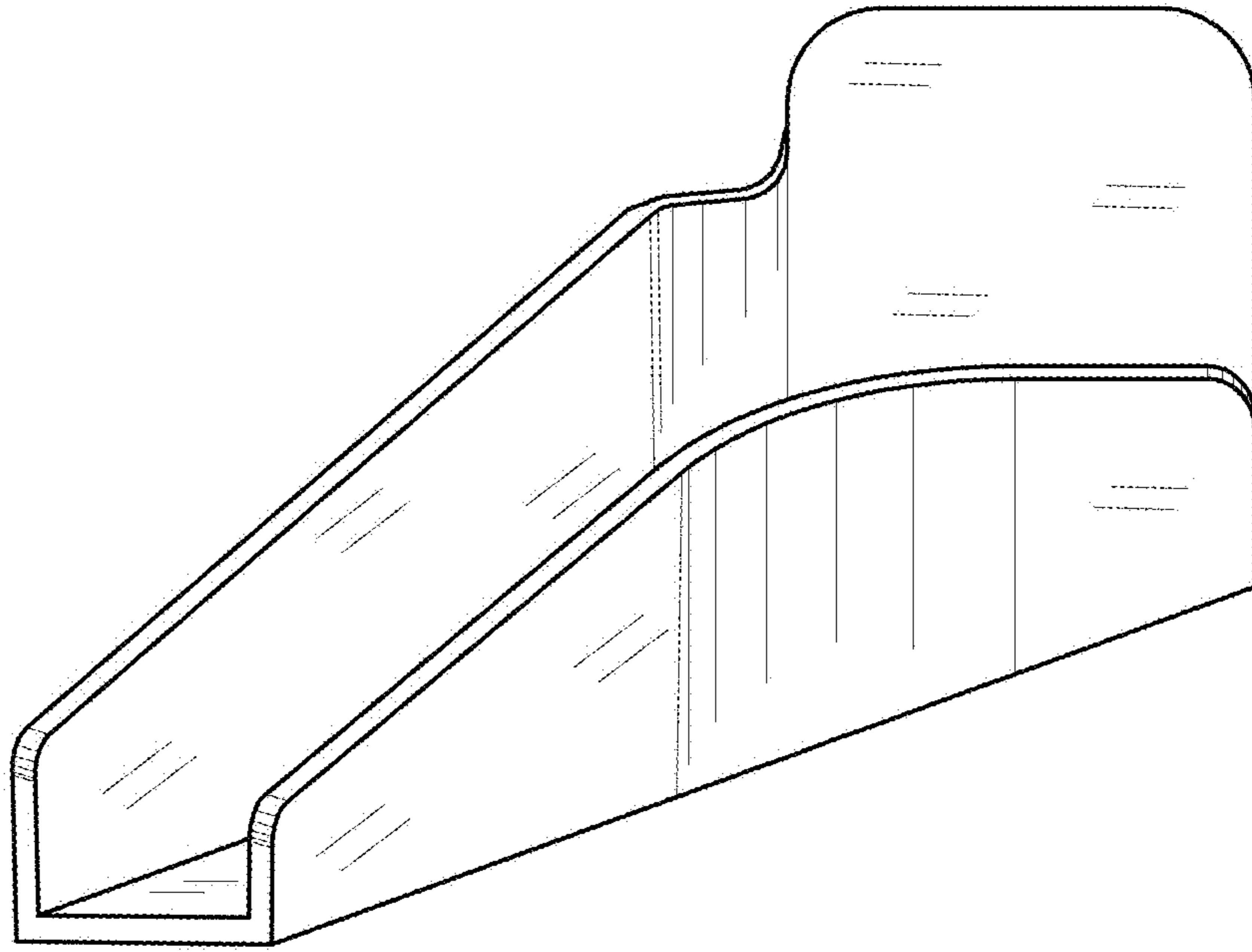


Fig. 26

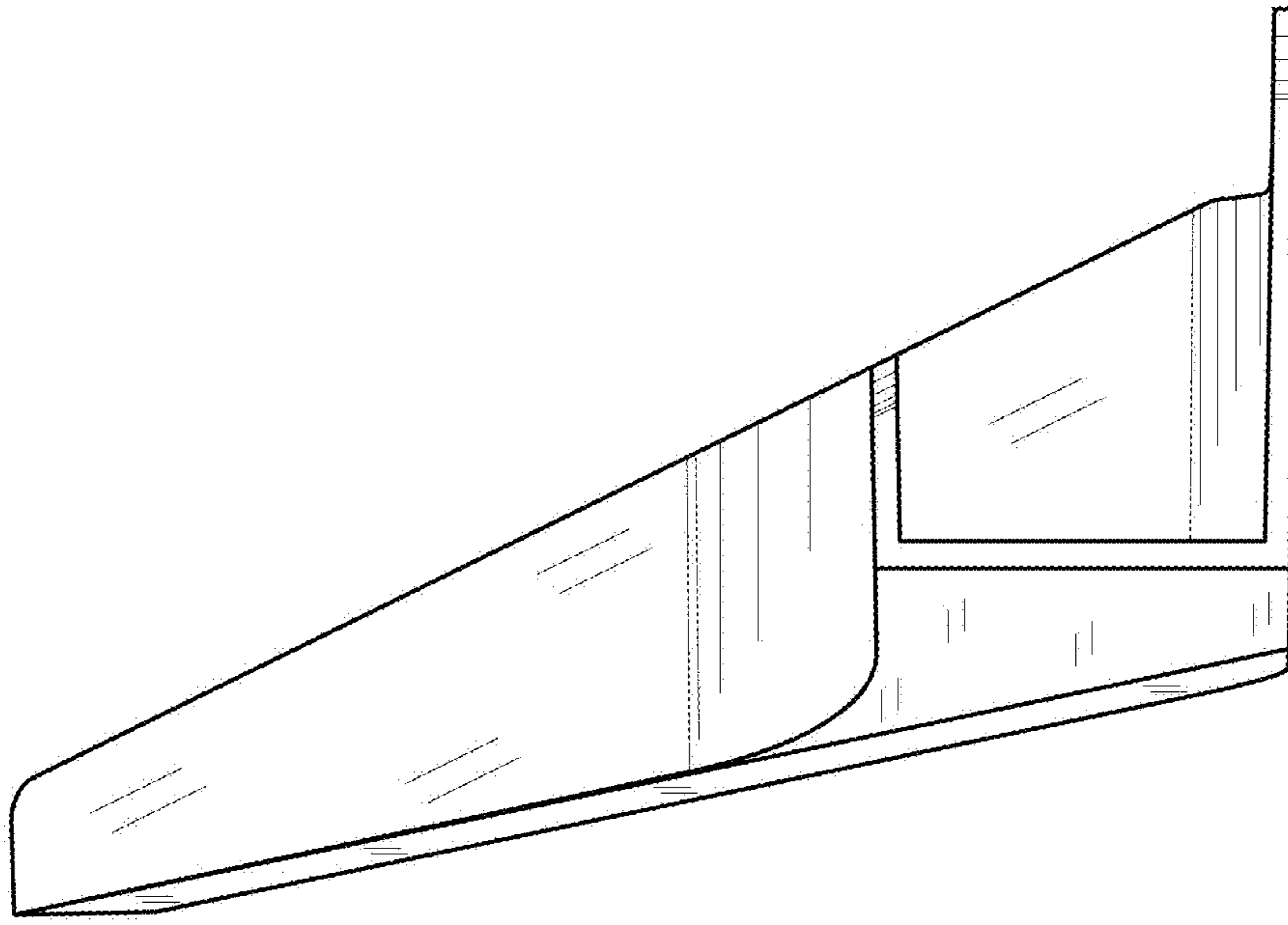


Fig. 27

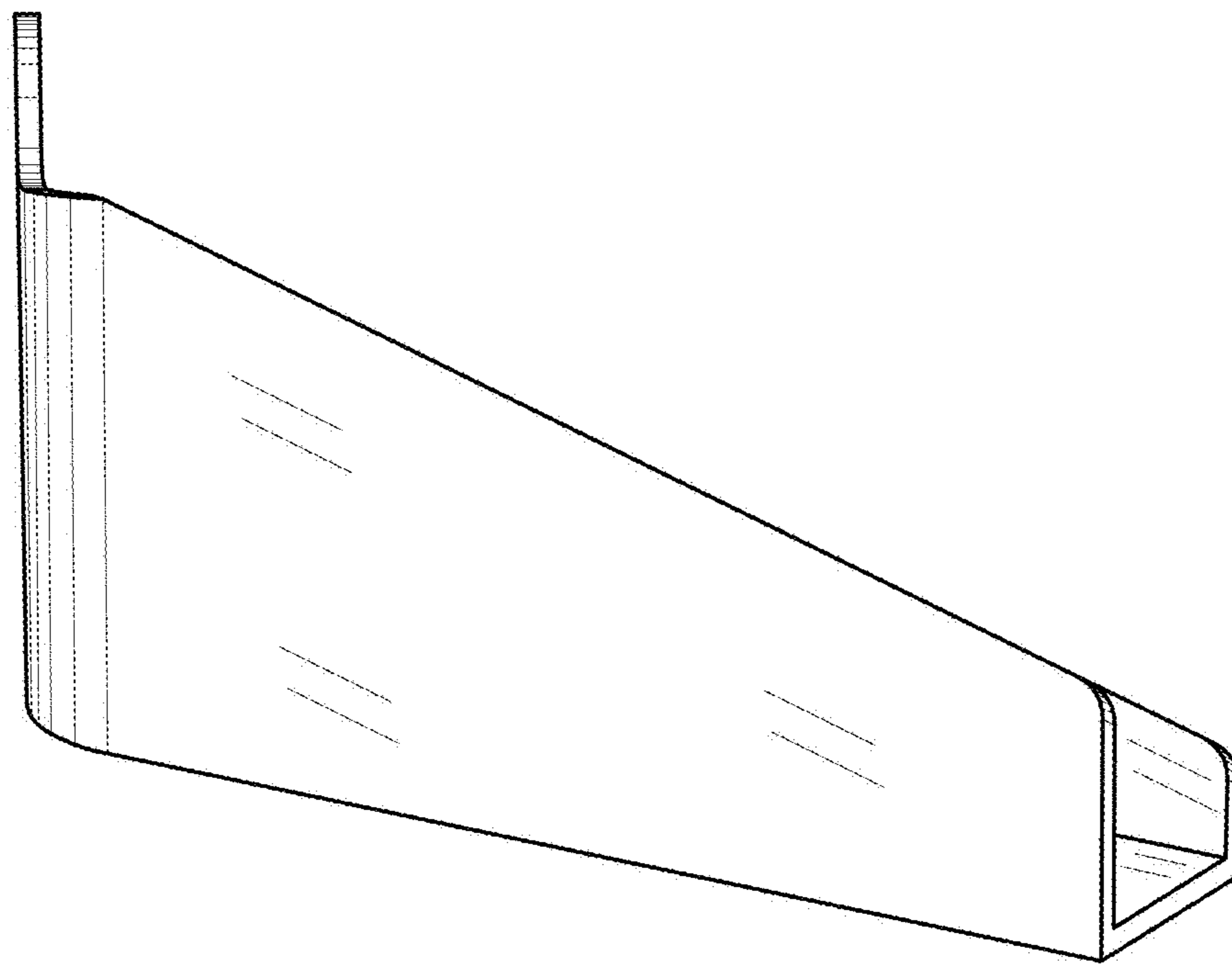


Fig. 28

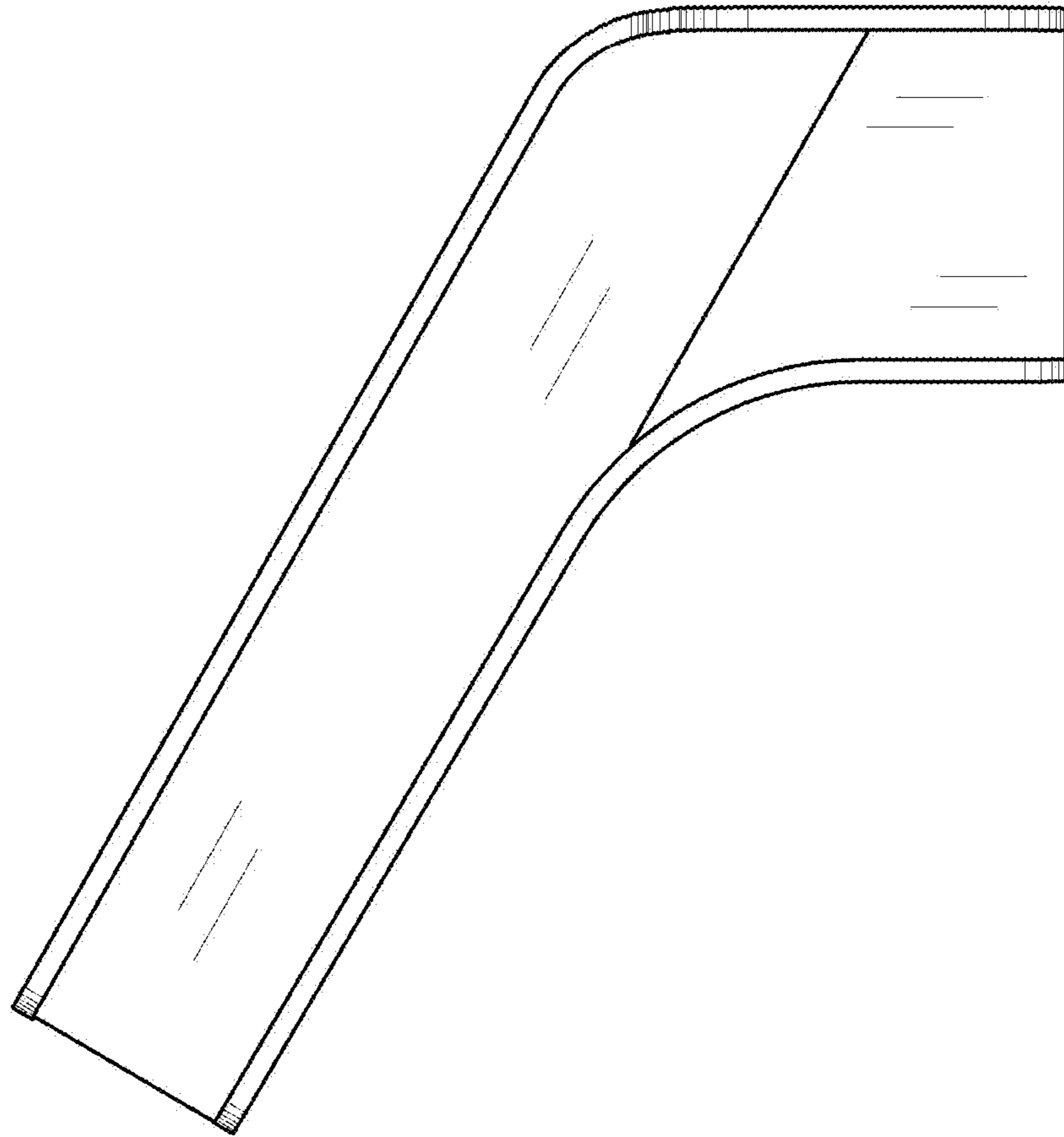


Fig. 29

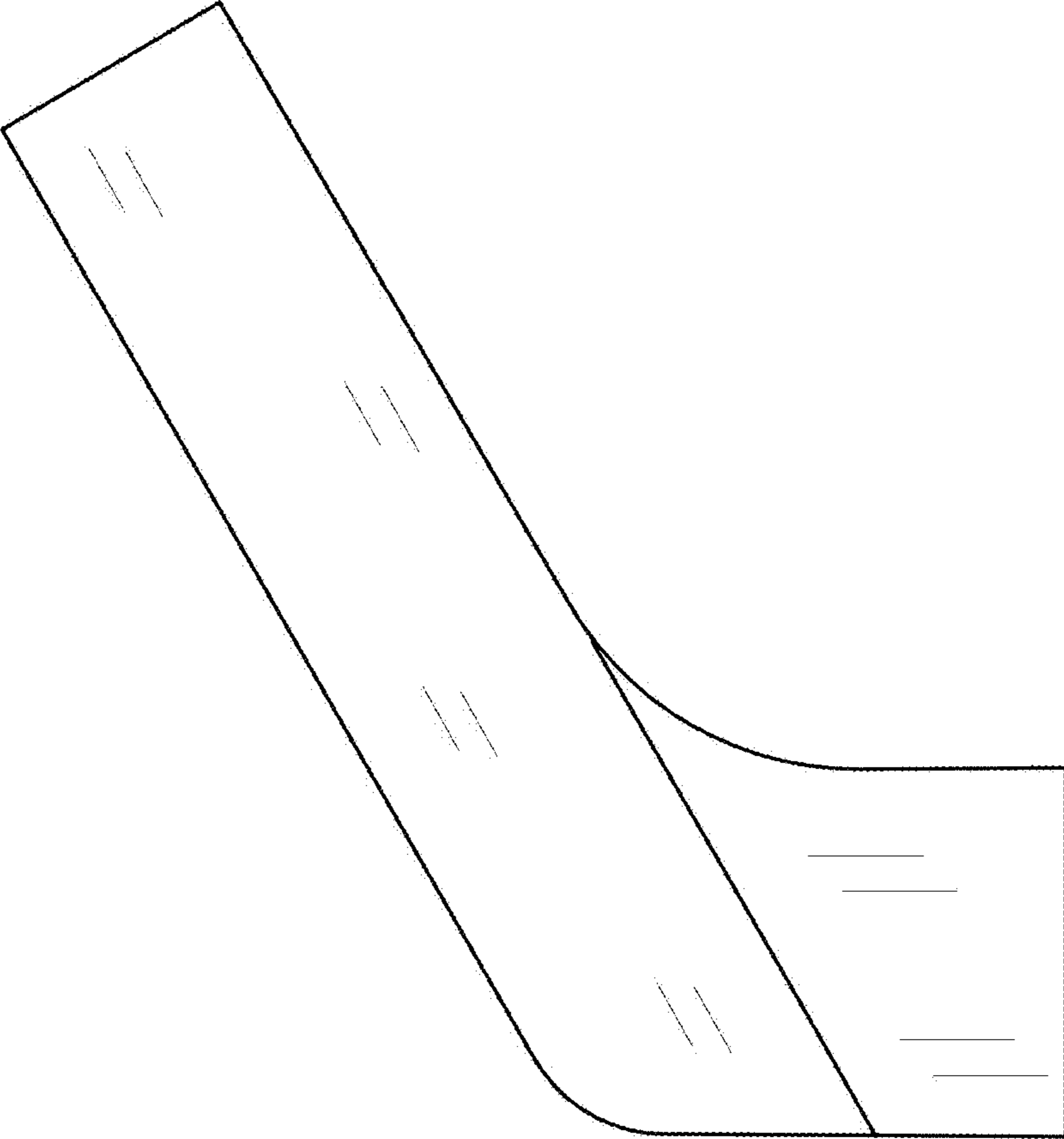


Fig. 30

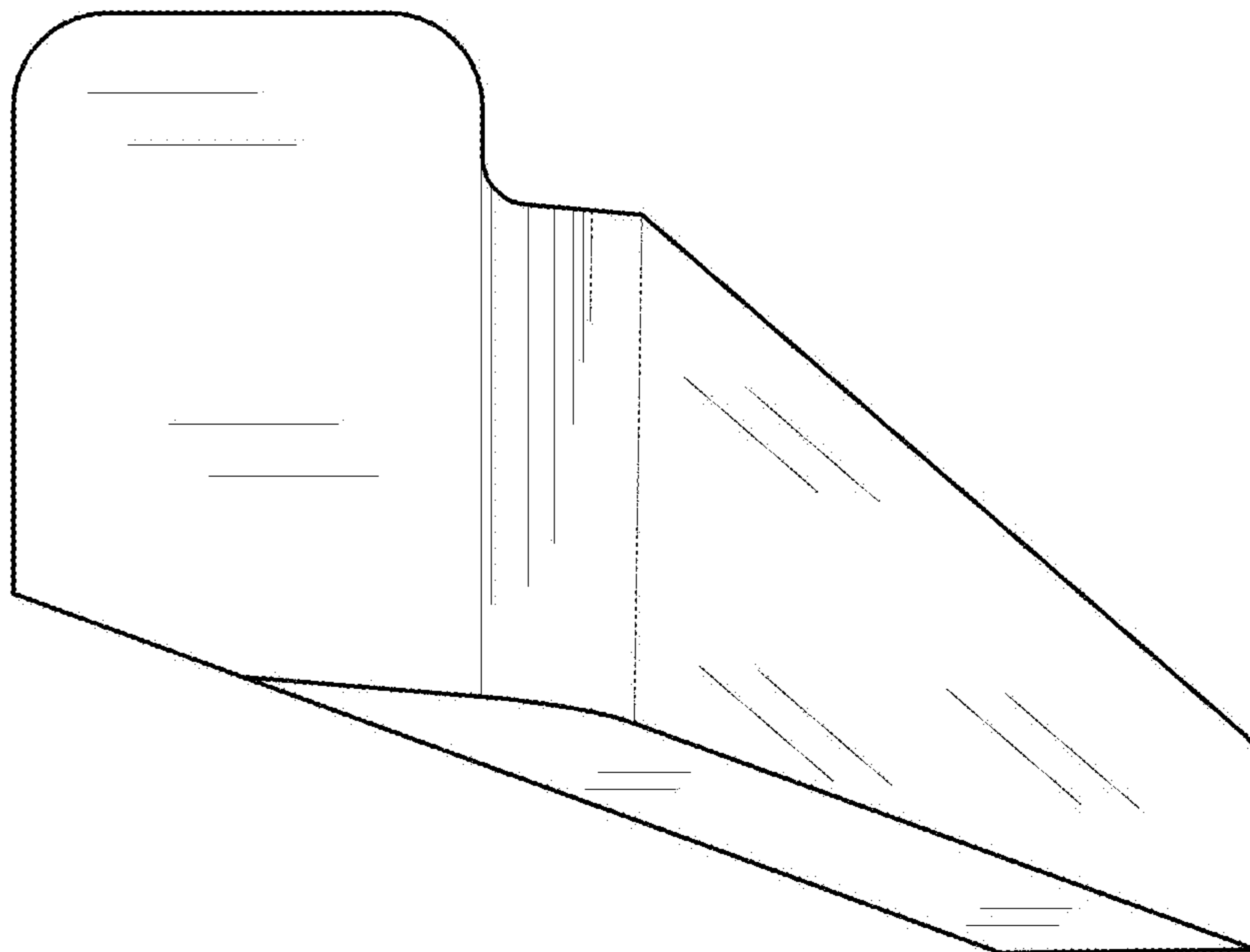


Fig. 31

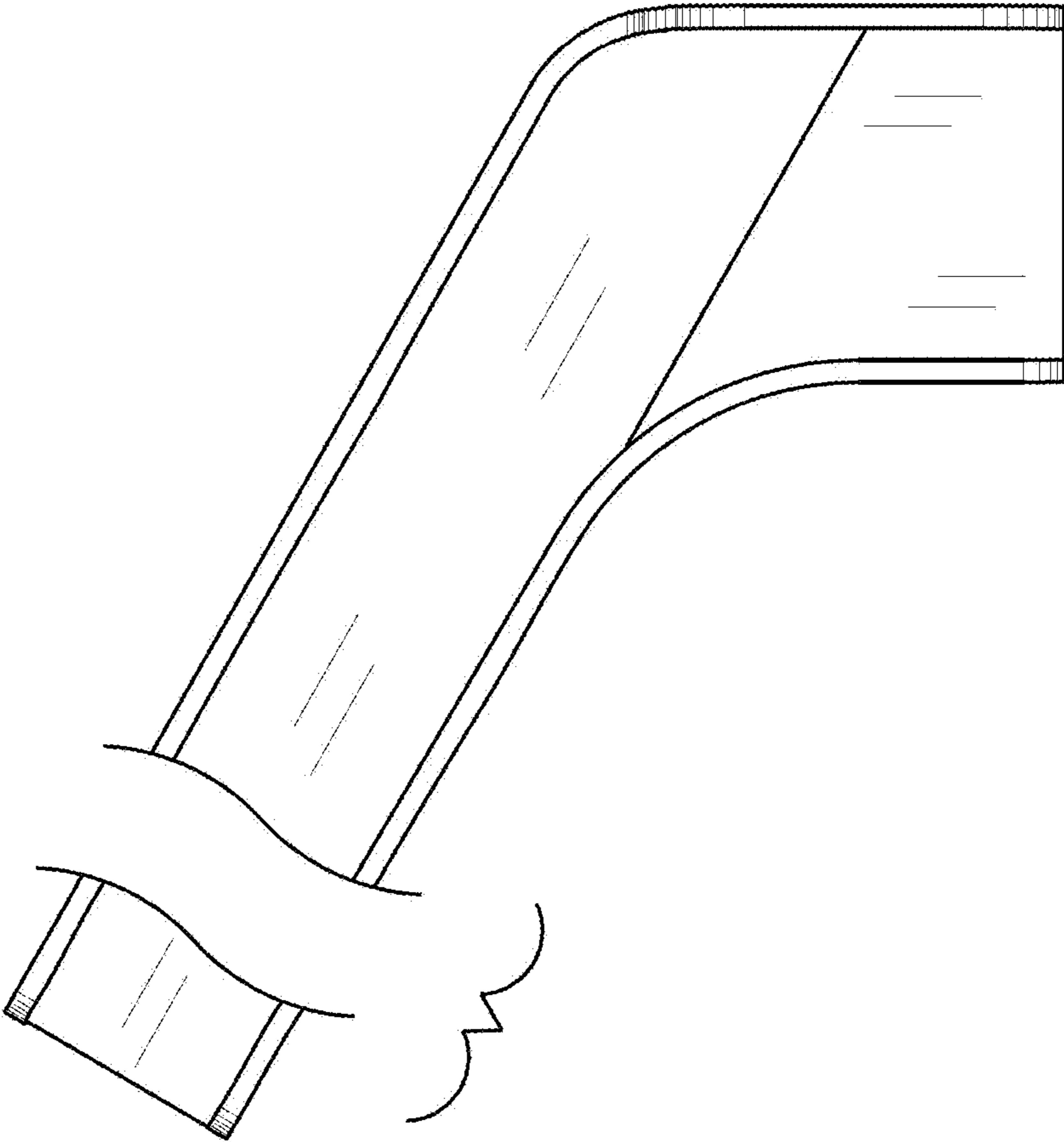


Fig. 32

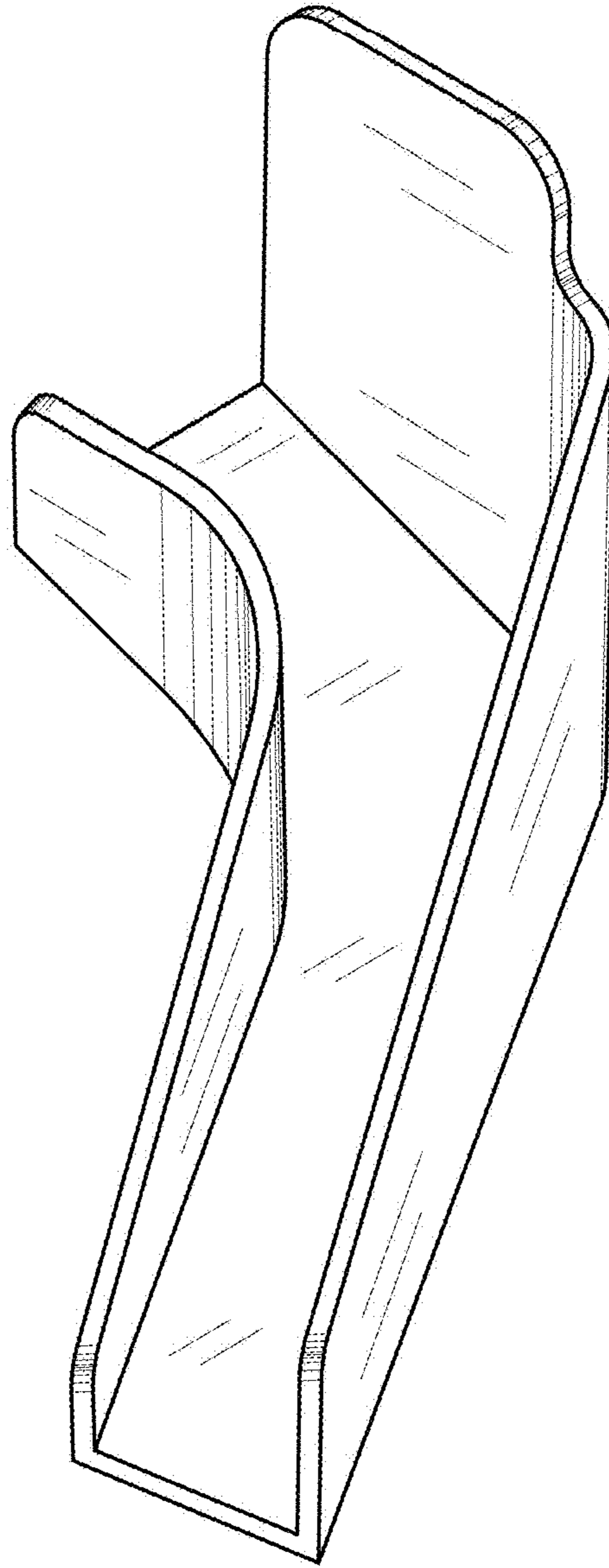


Fig. 33

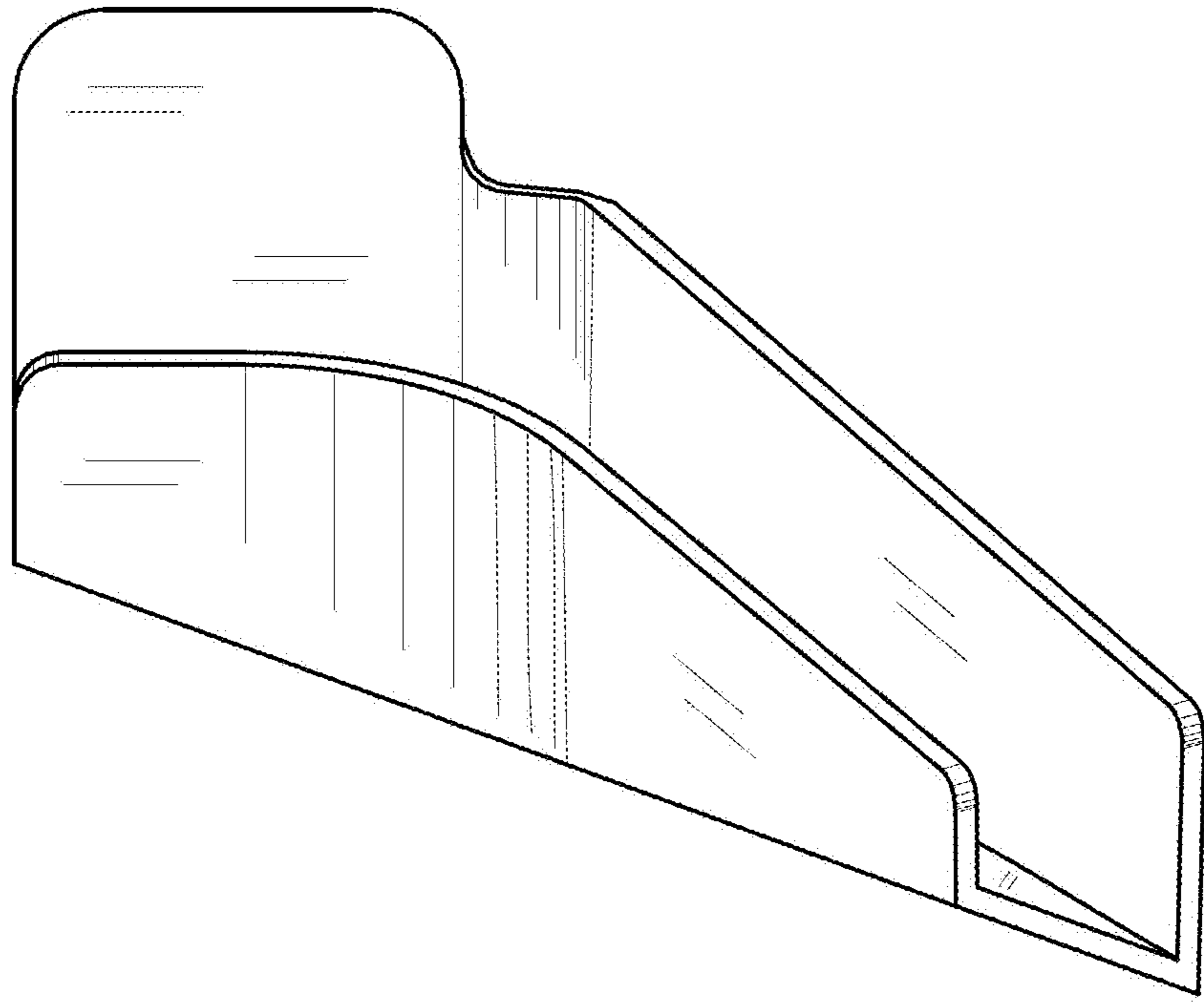


Fig. 34

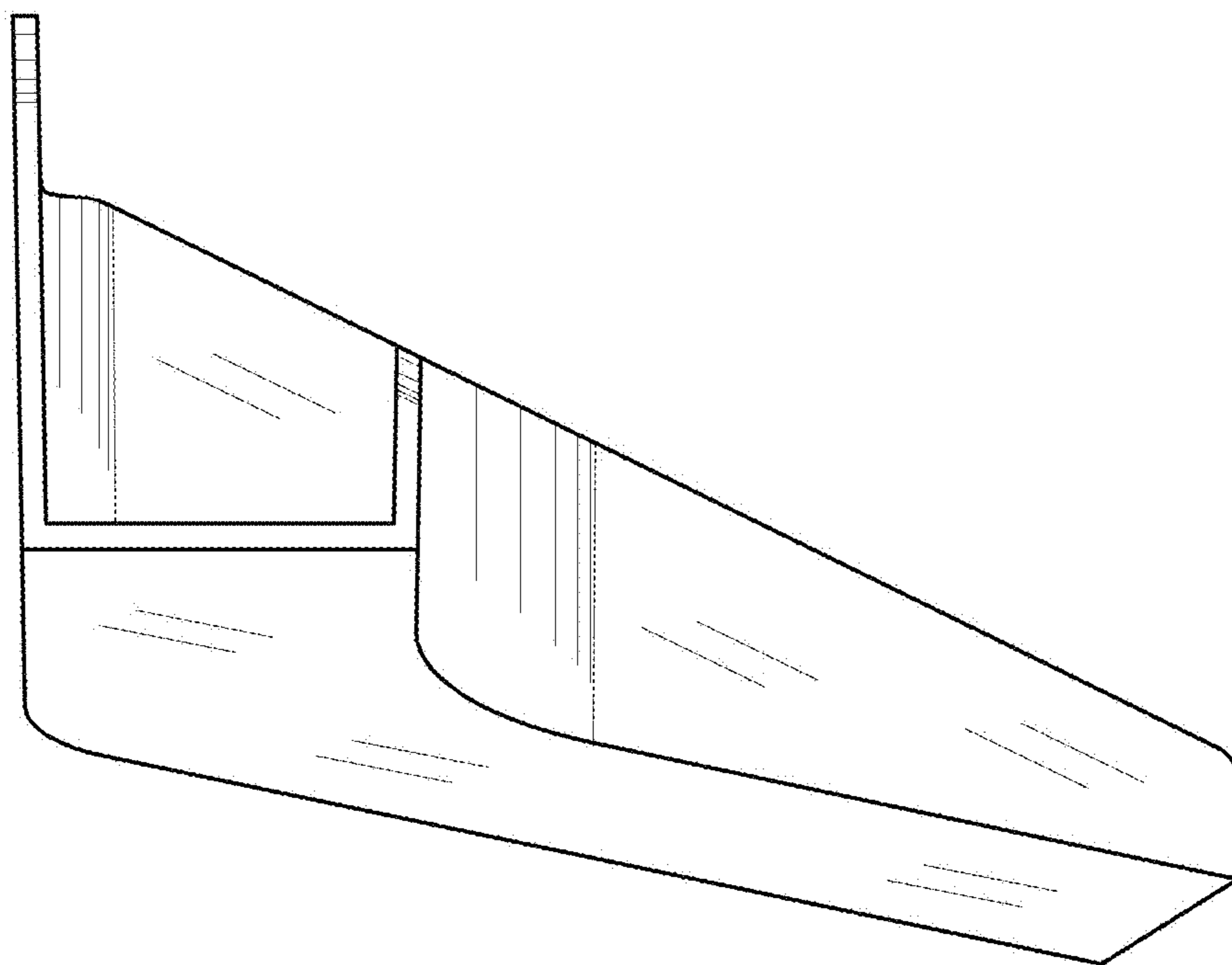


Fig. 35

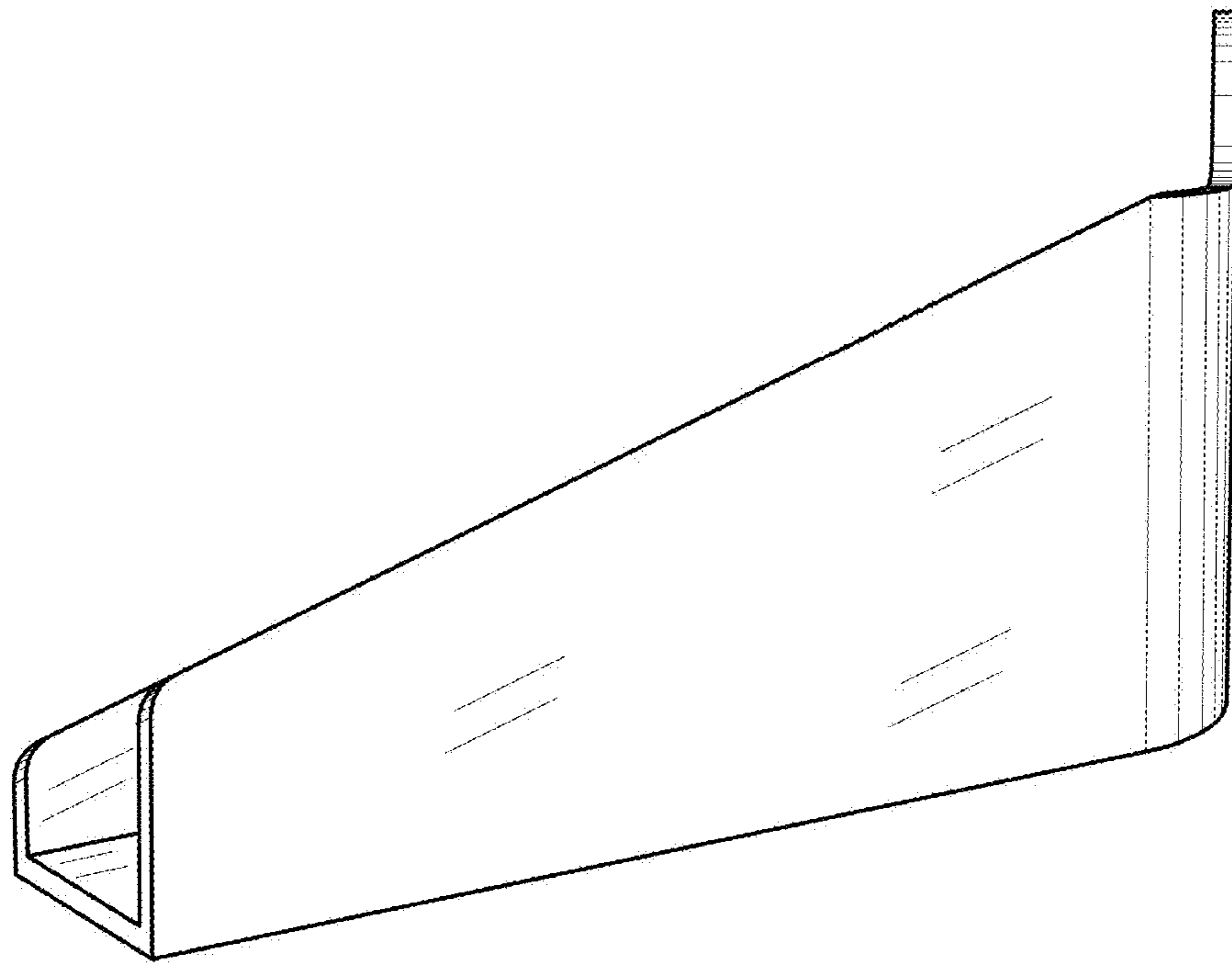


Fig. 36

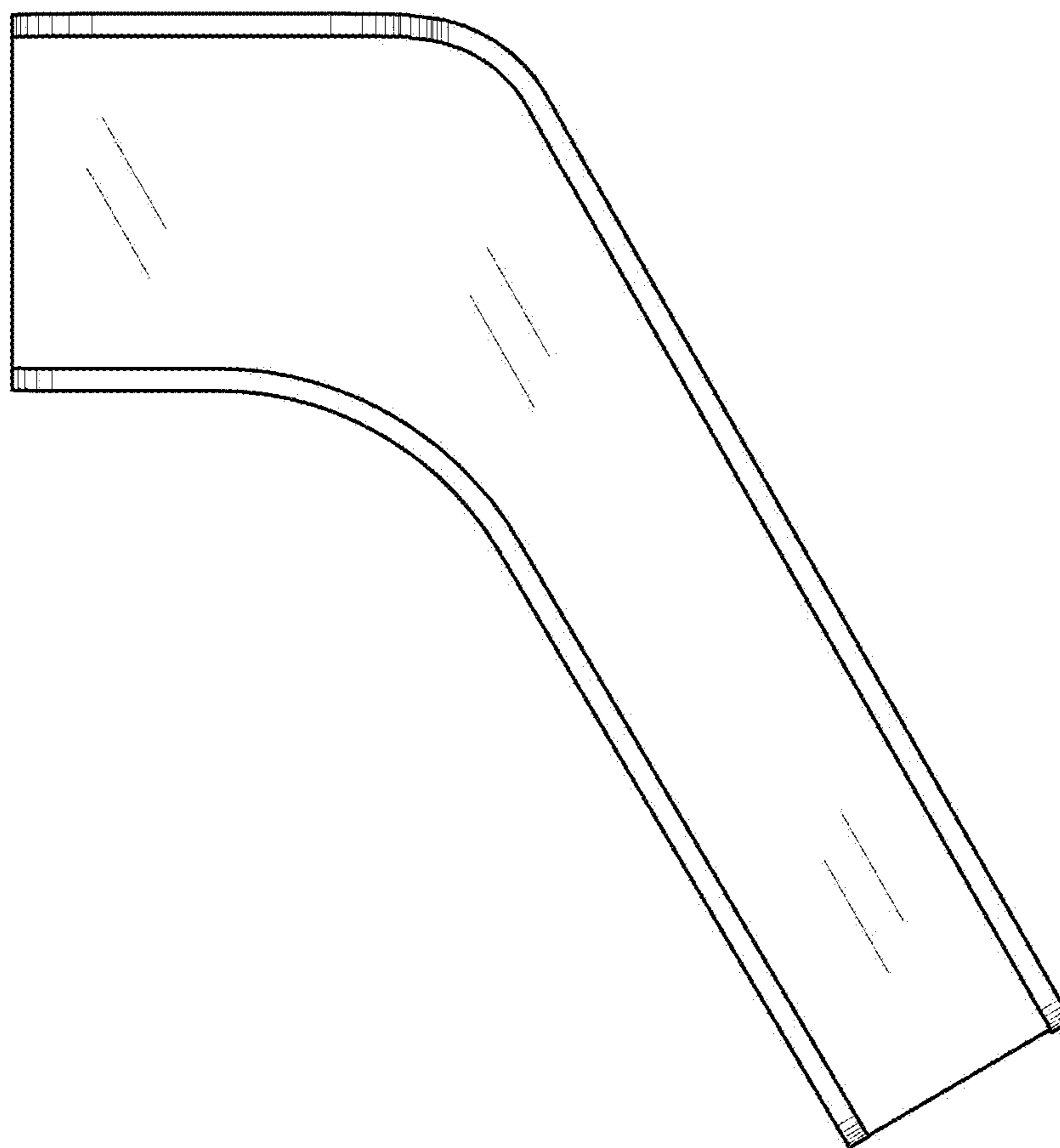


Fig. 37

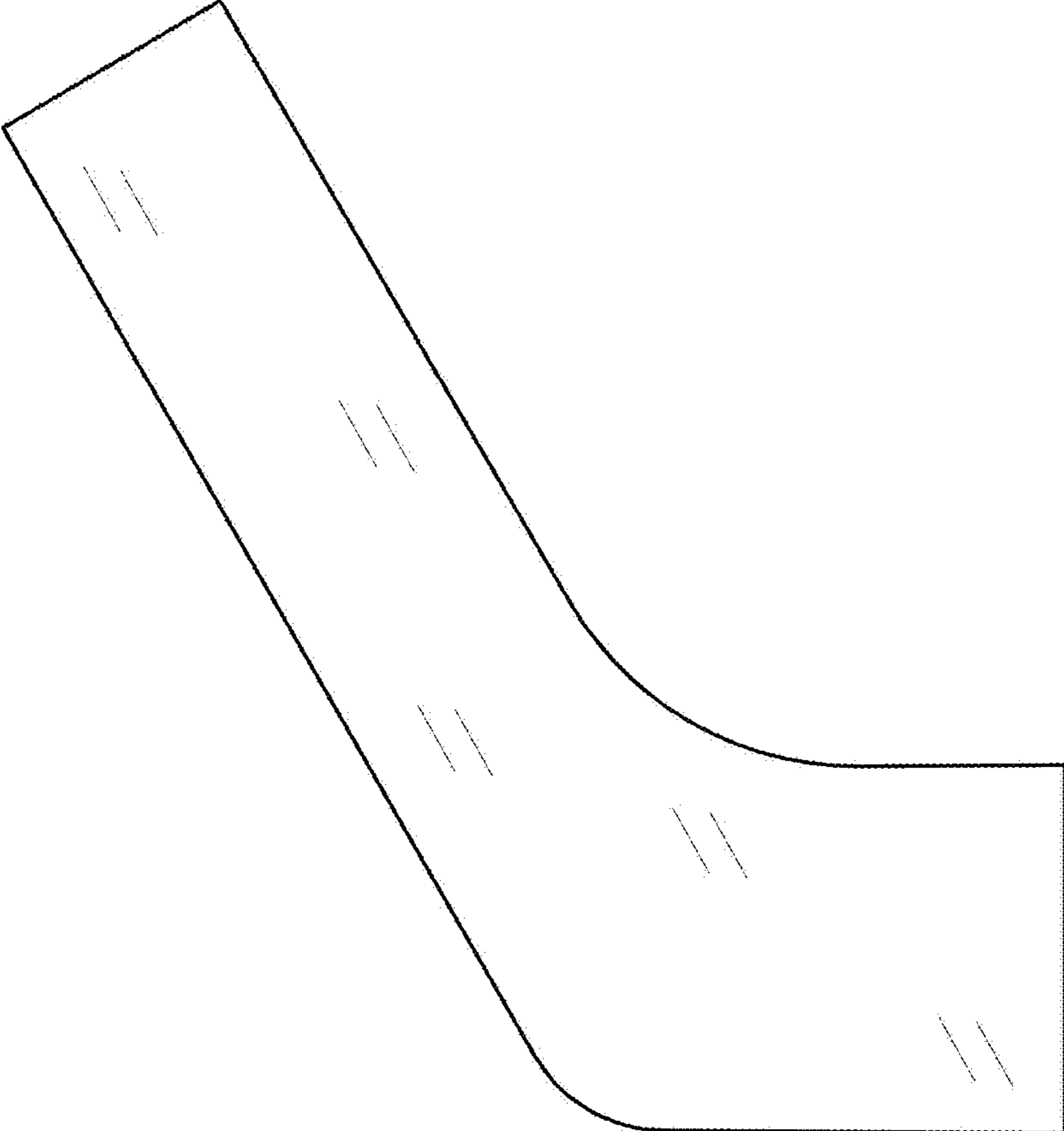


Fig. 38

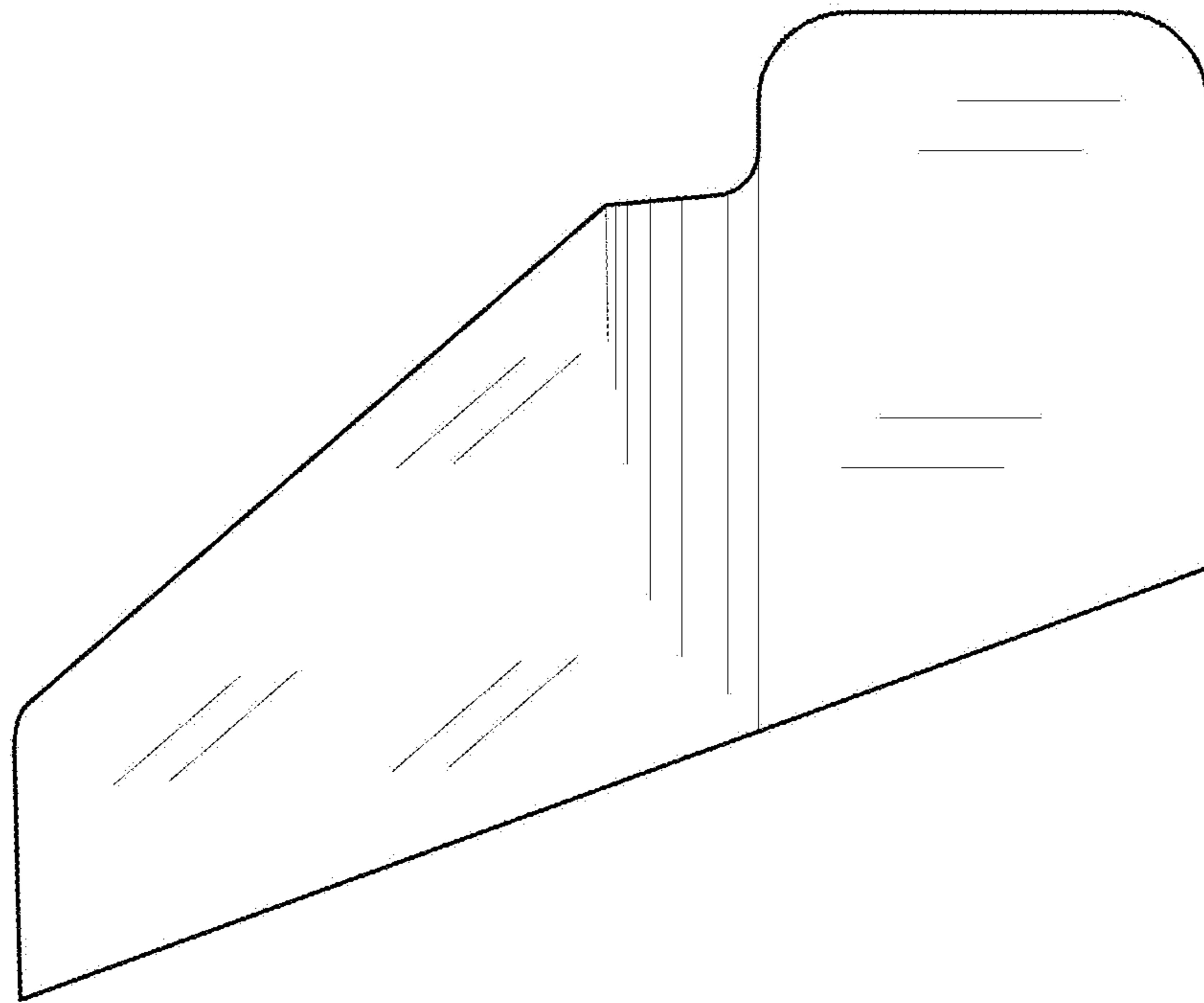


Fig. 39

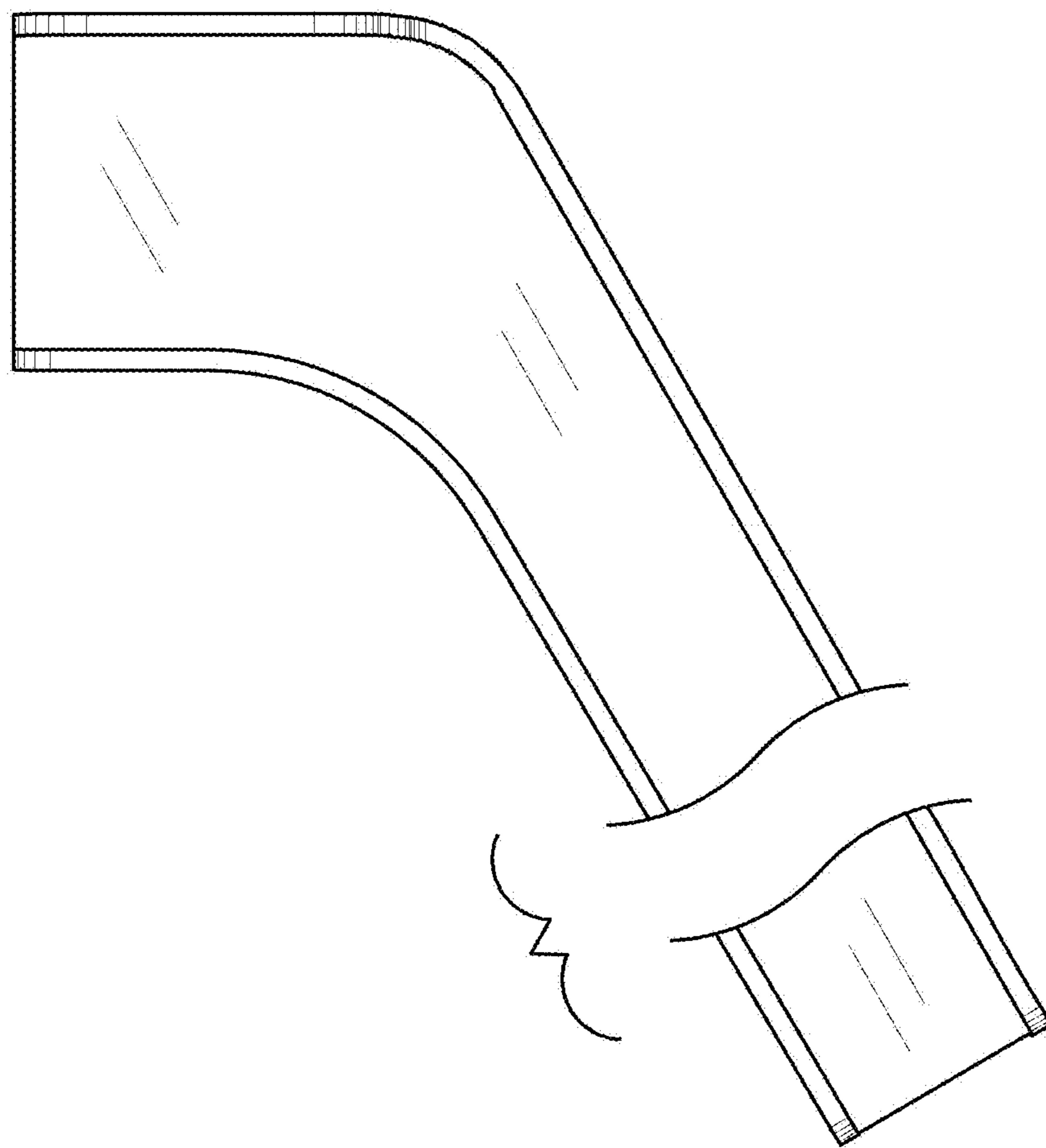


Fig. 40

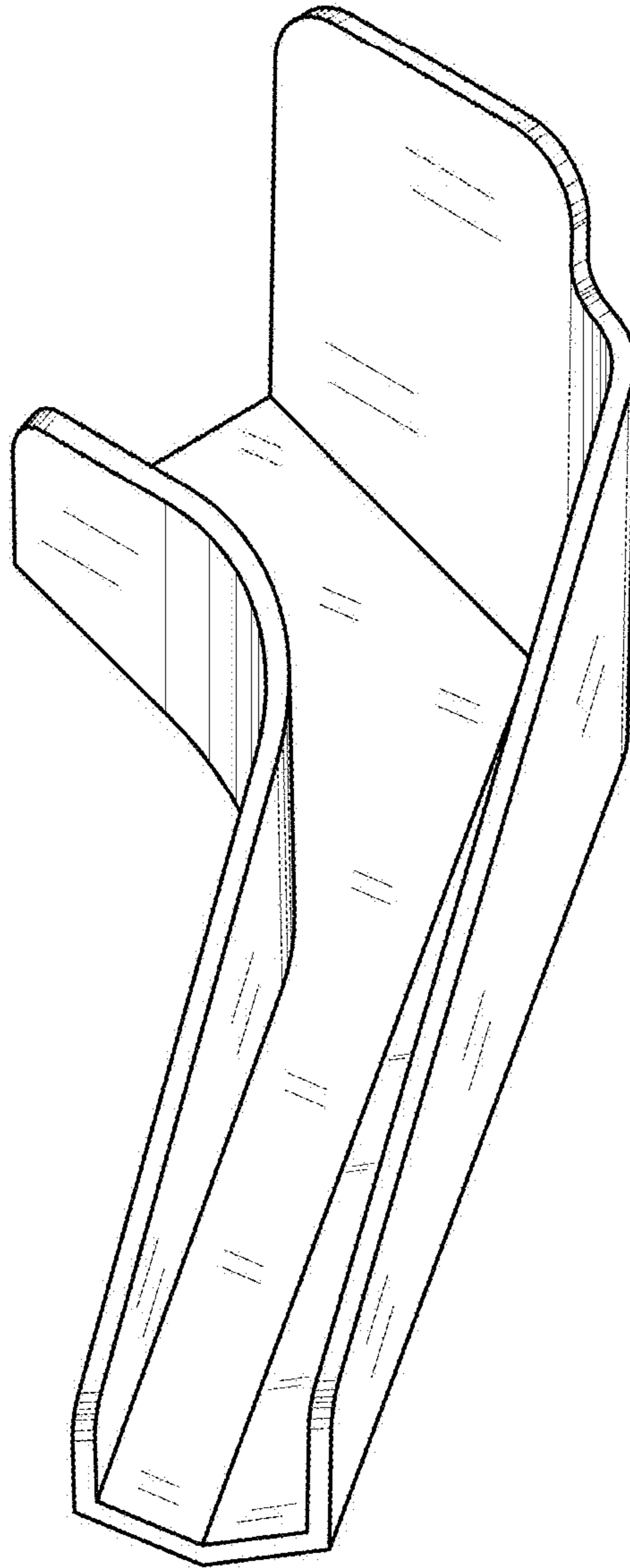


Fig. 41

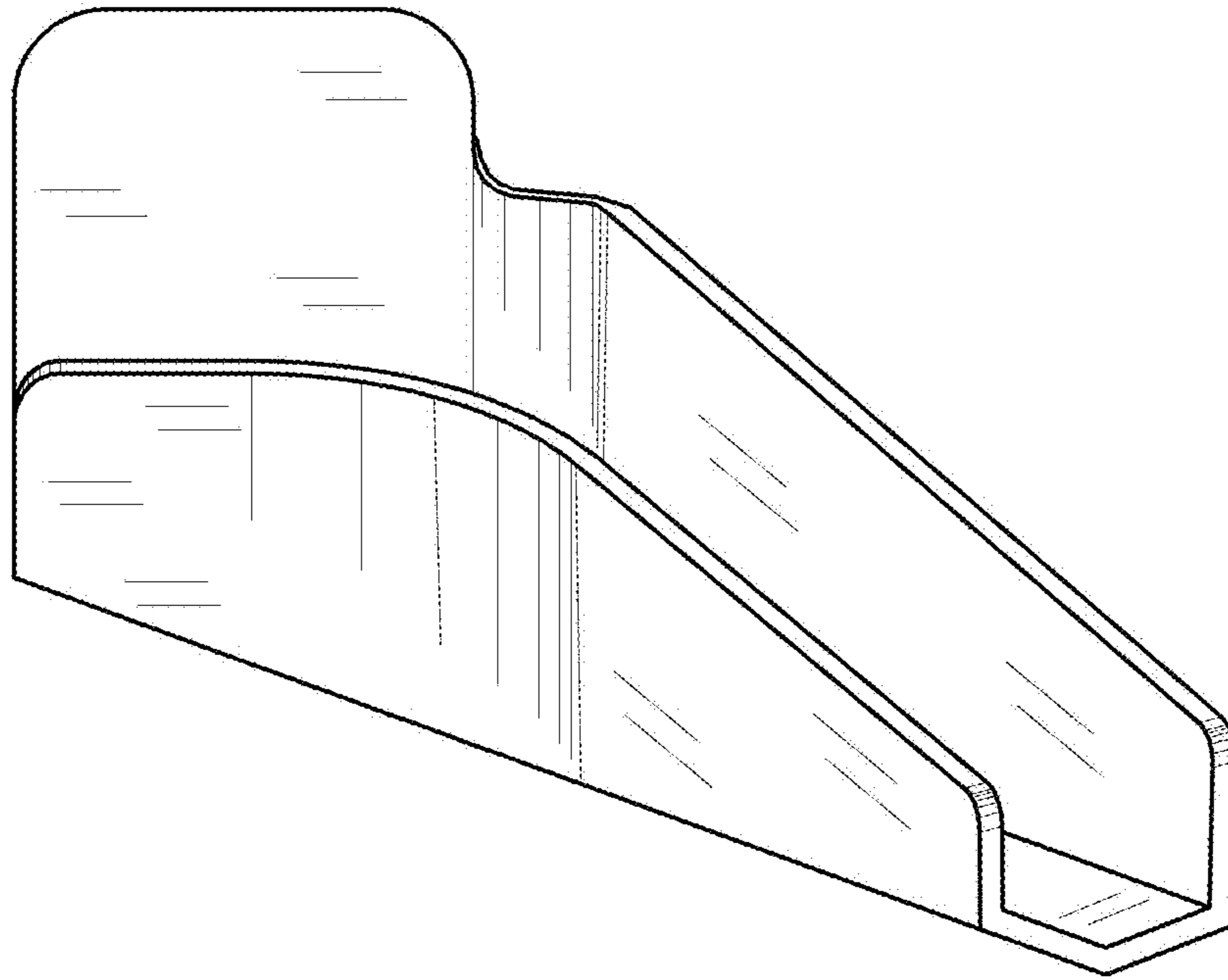


Fig. 42

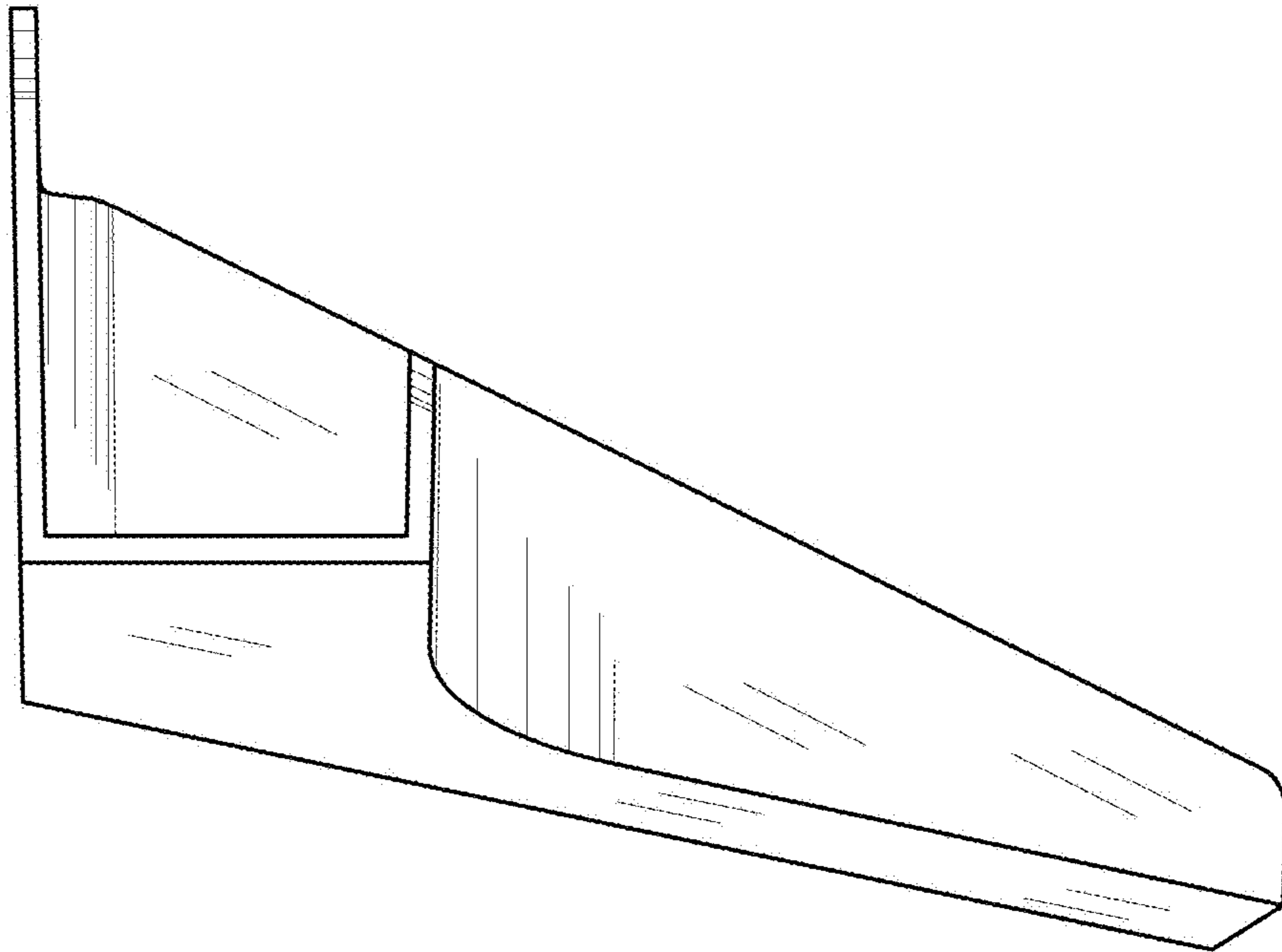


Fig. 43

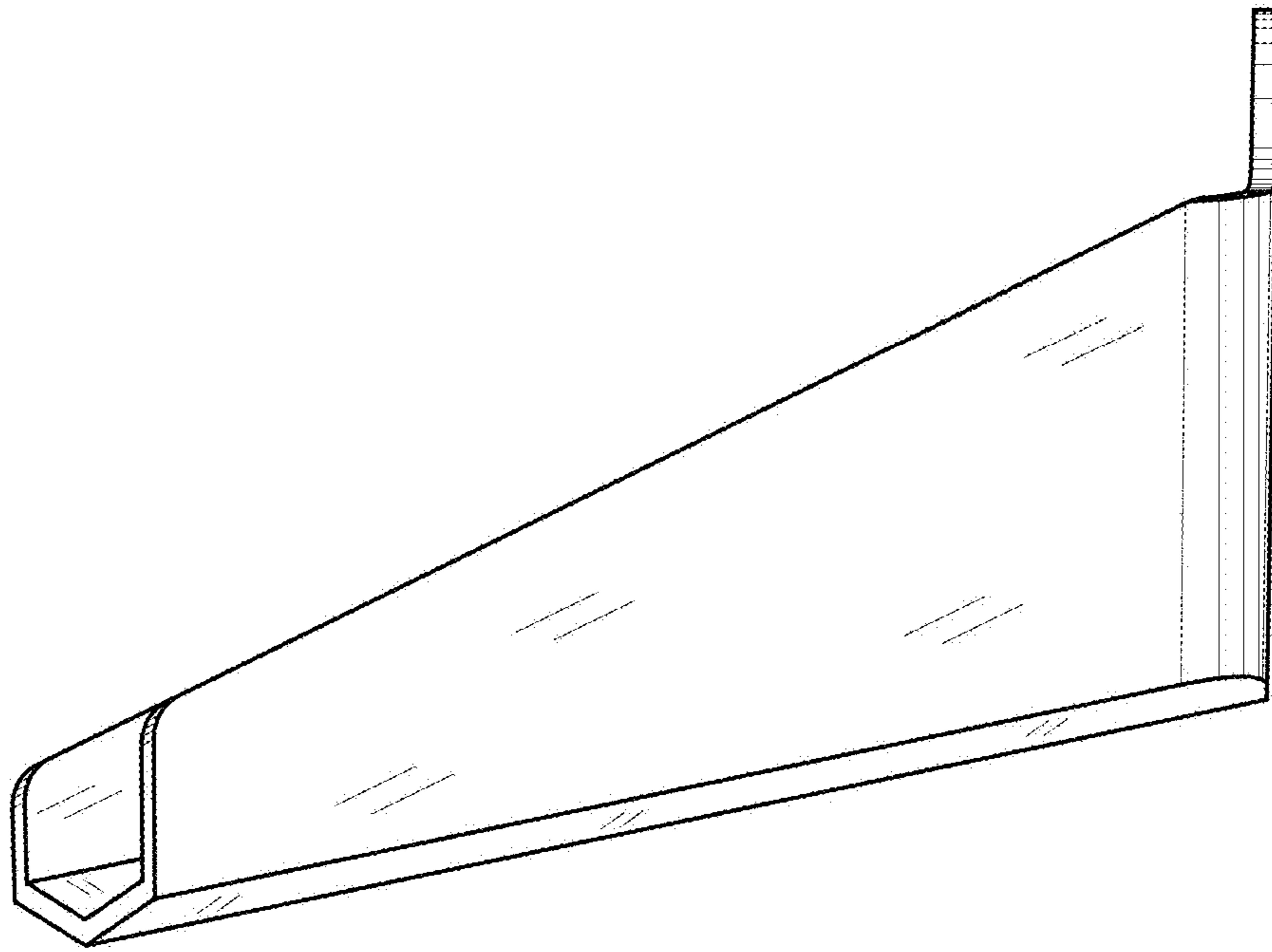


Fig. 44

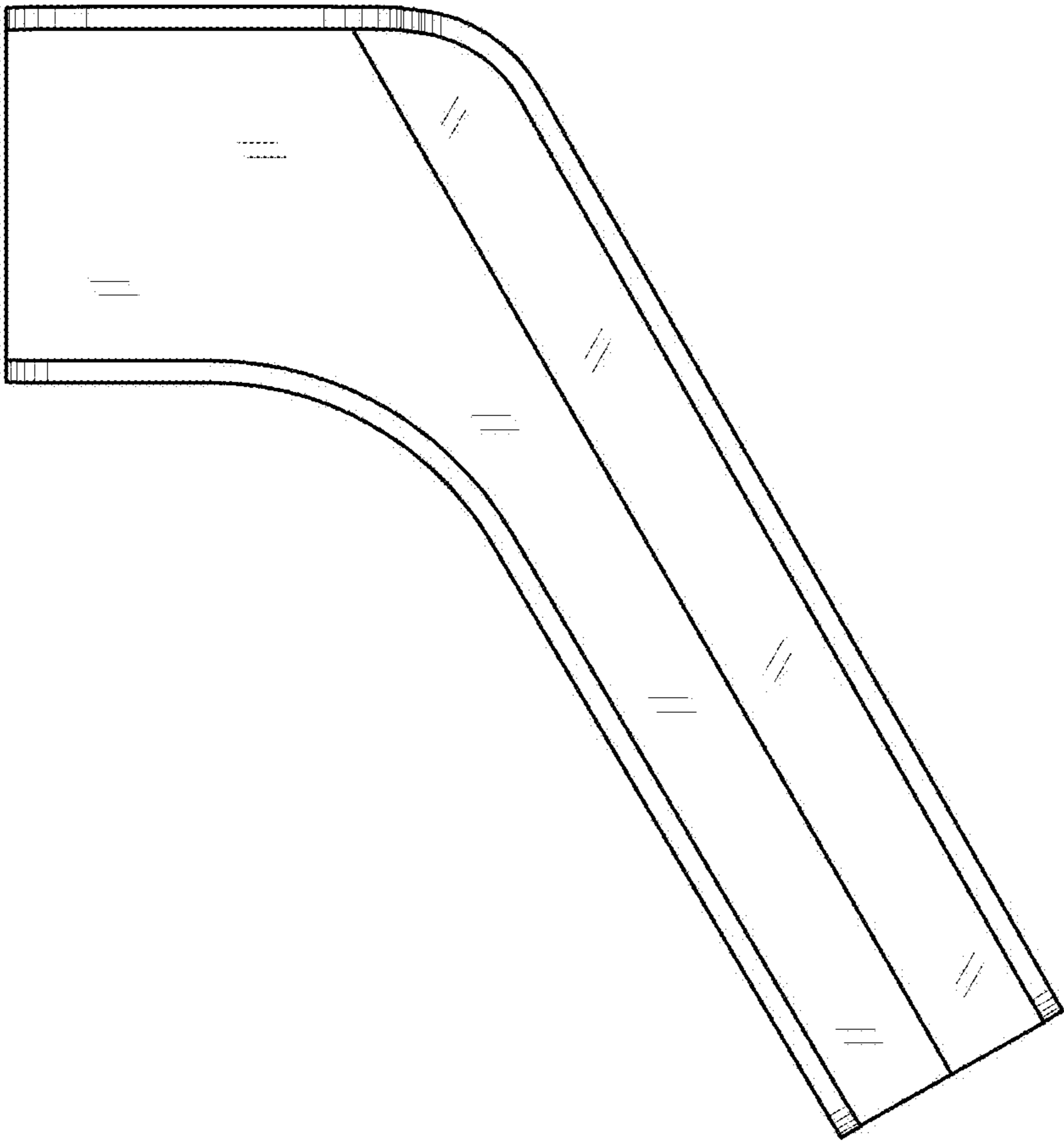


Fig. 45

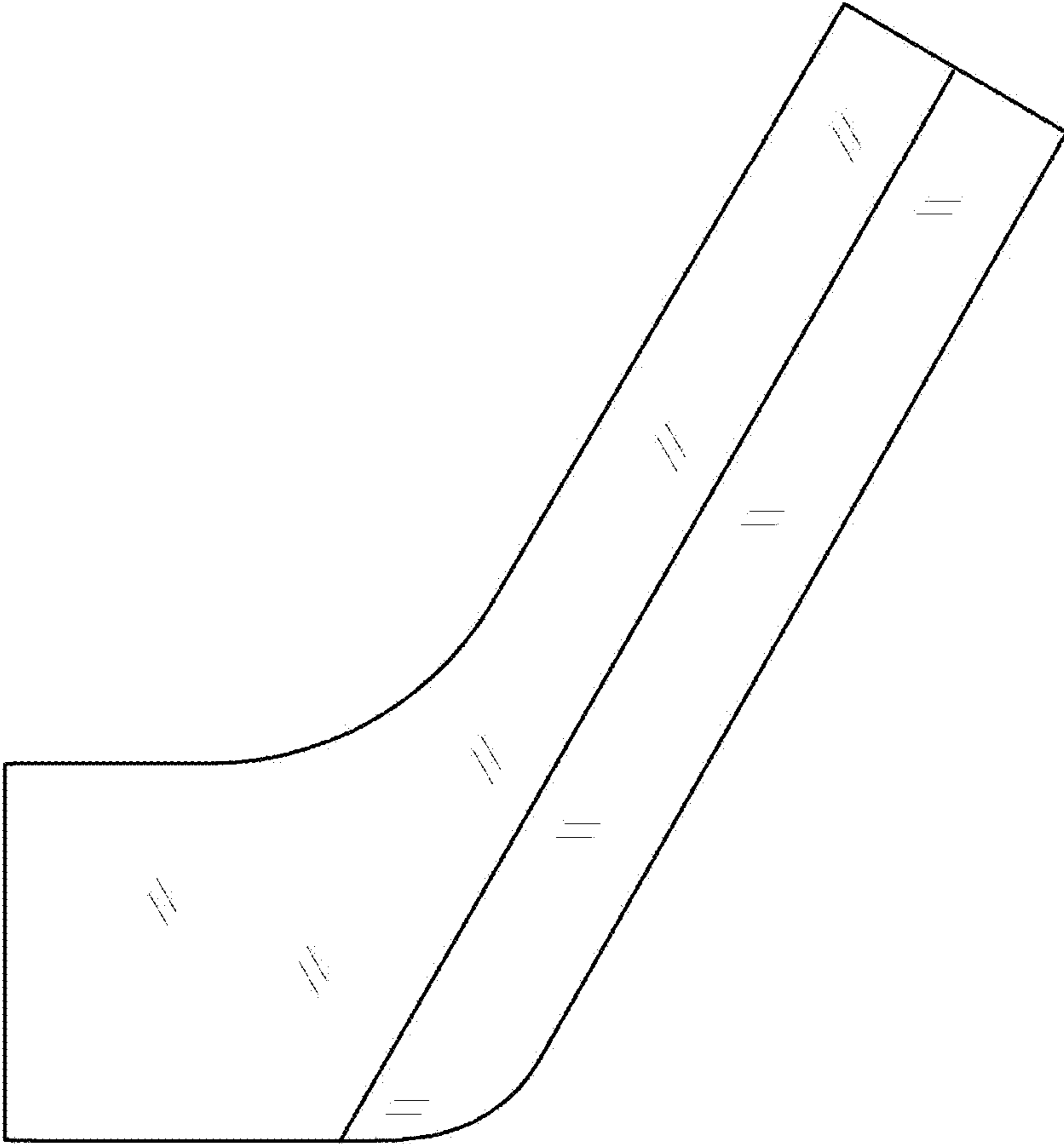


Fig. 46

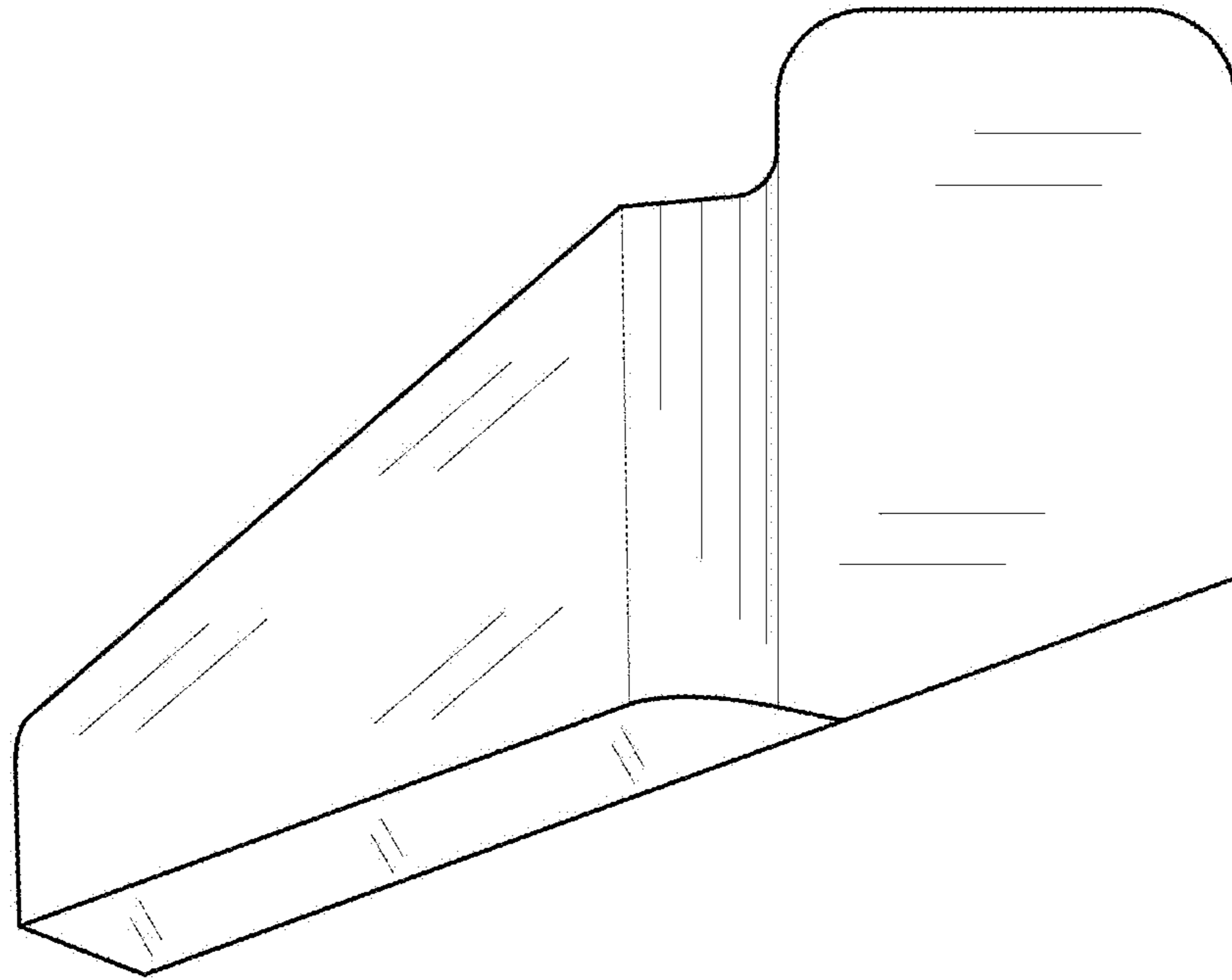


Fig. 47

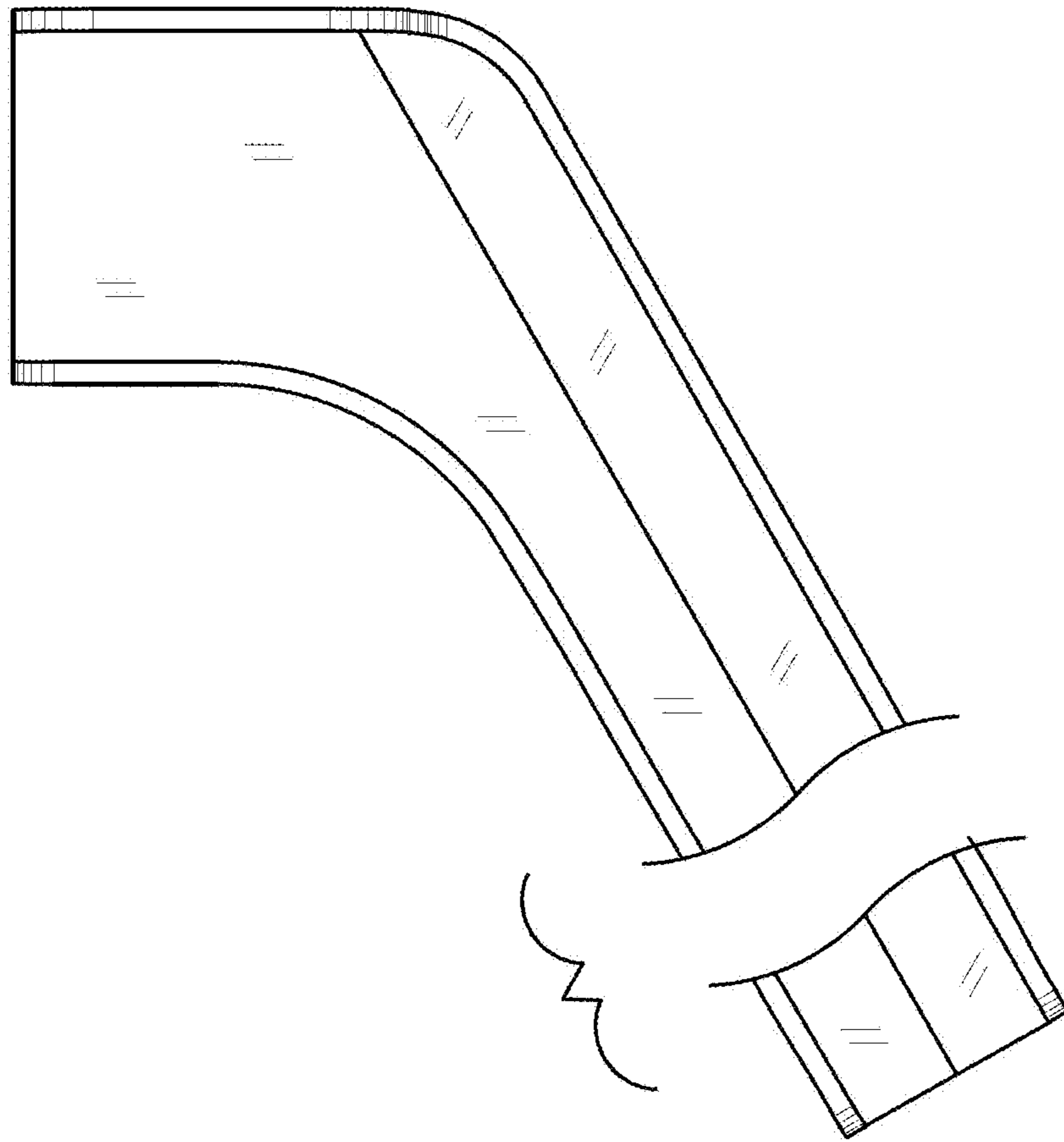


Fig. 48

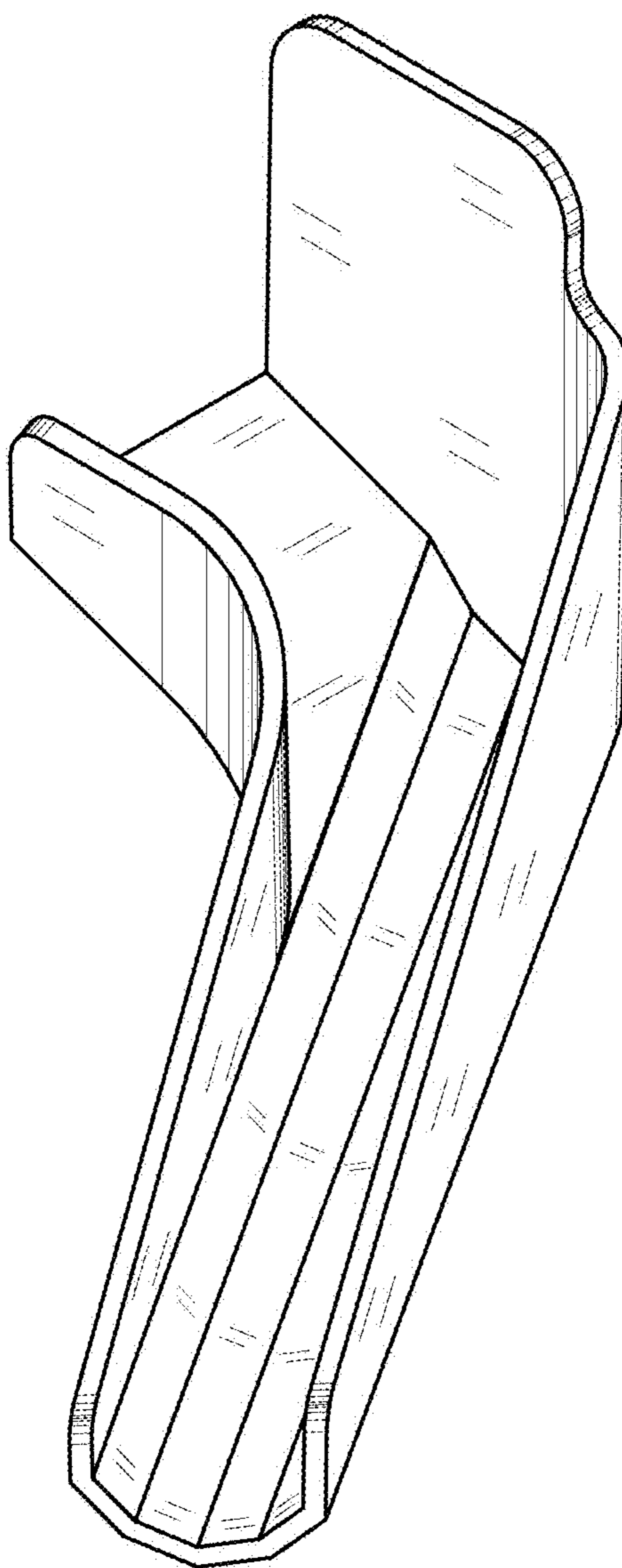


Fig. 49

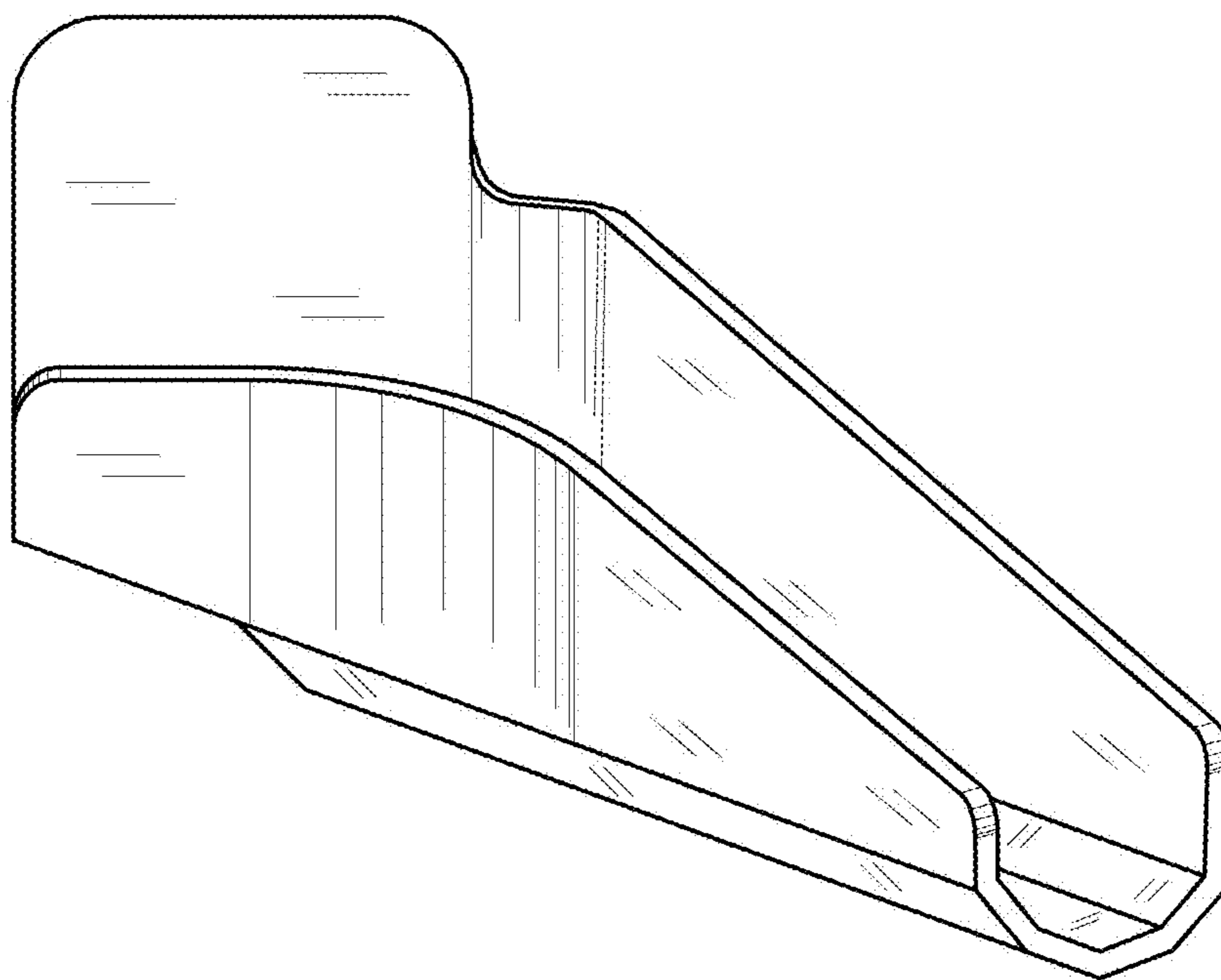


Fig. 50

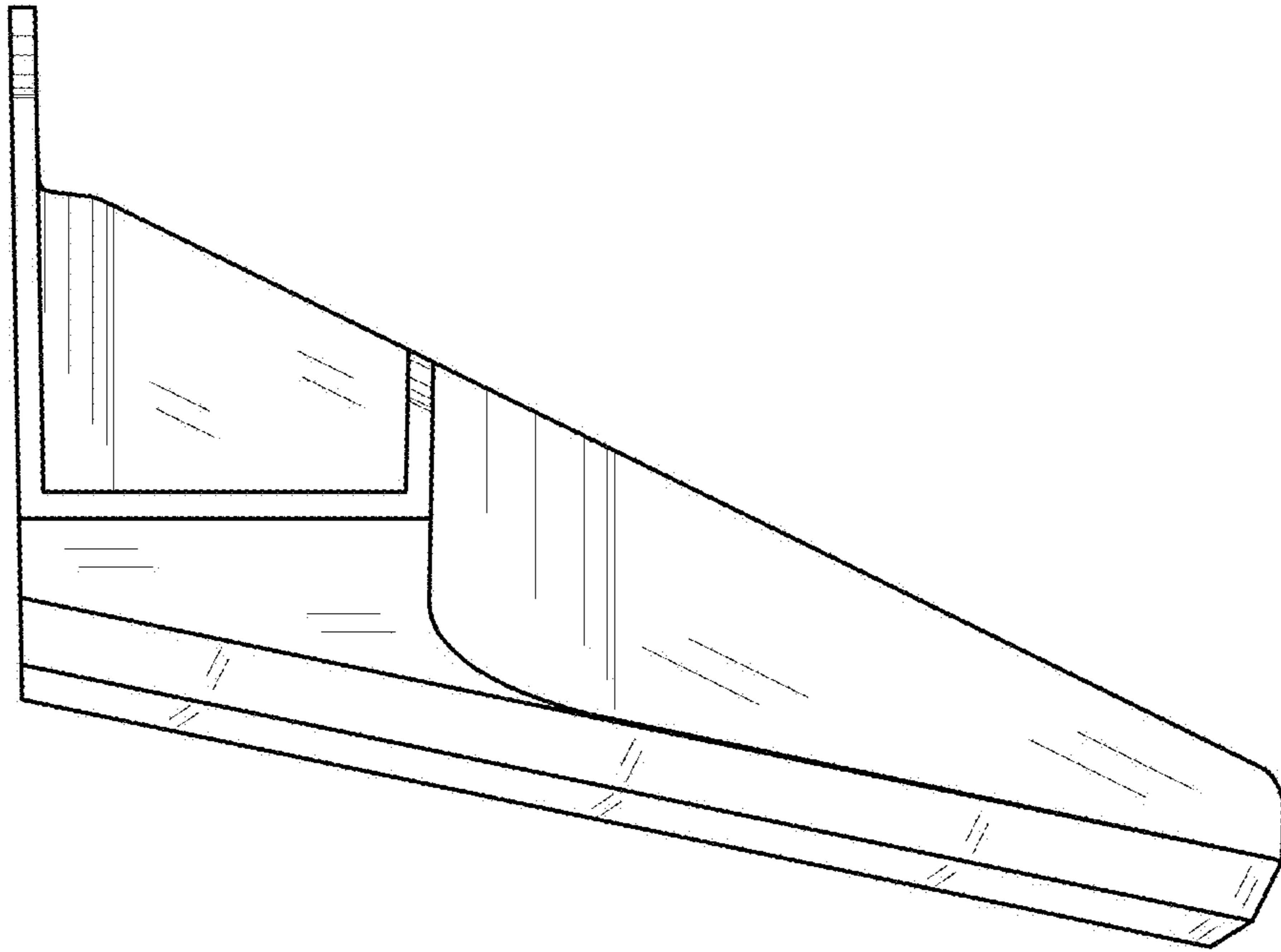


Fig. 51

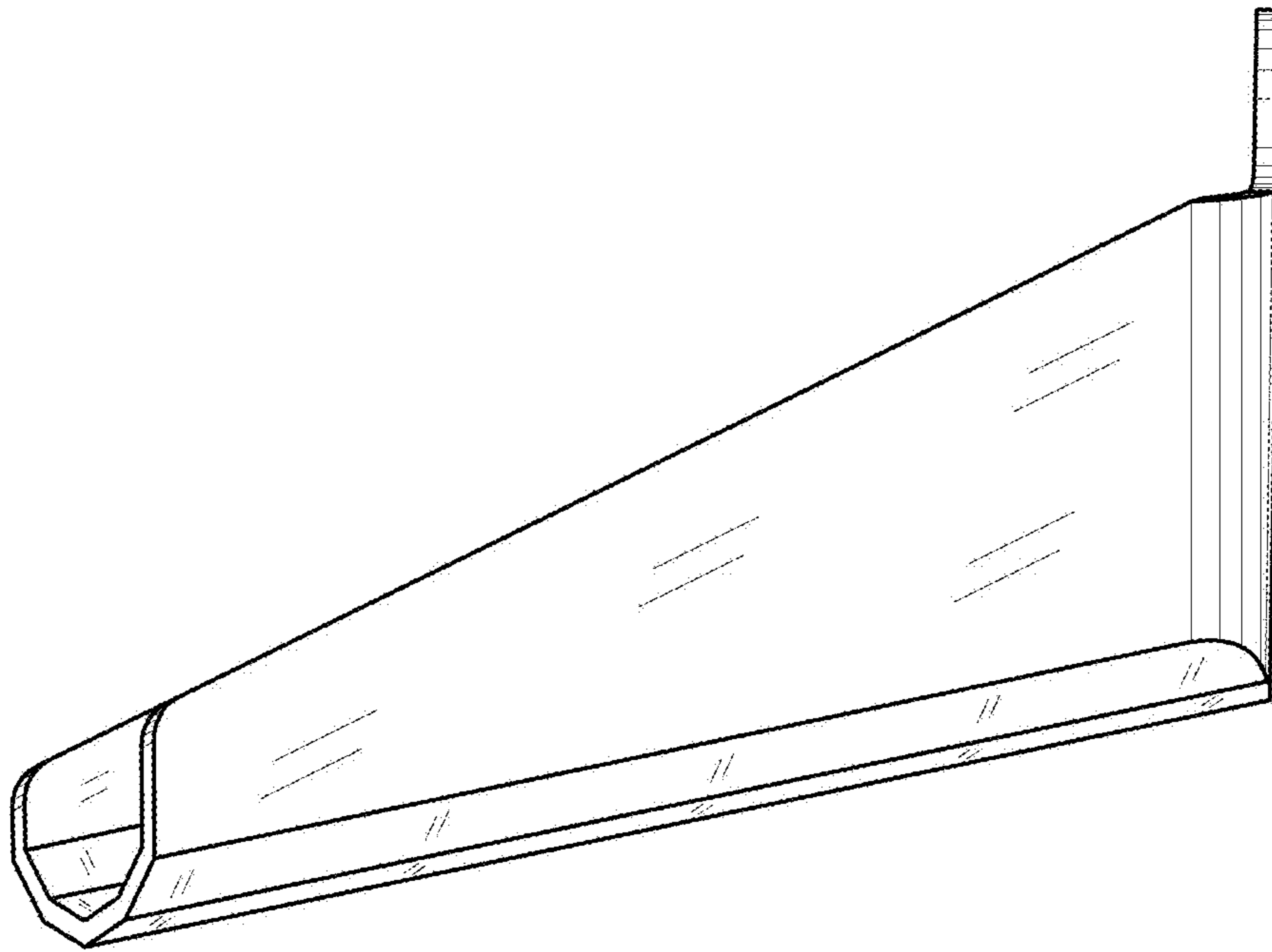


Fig. 52

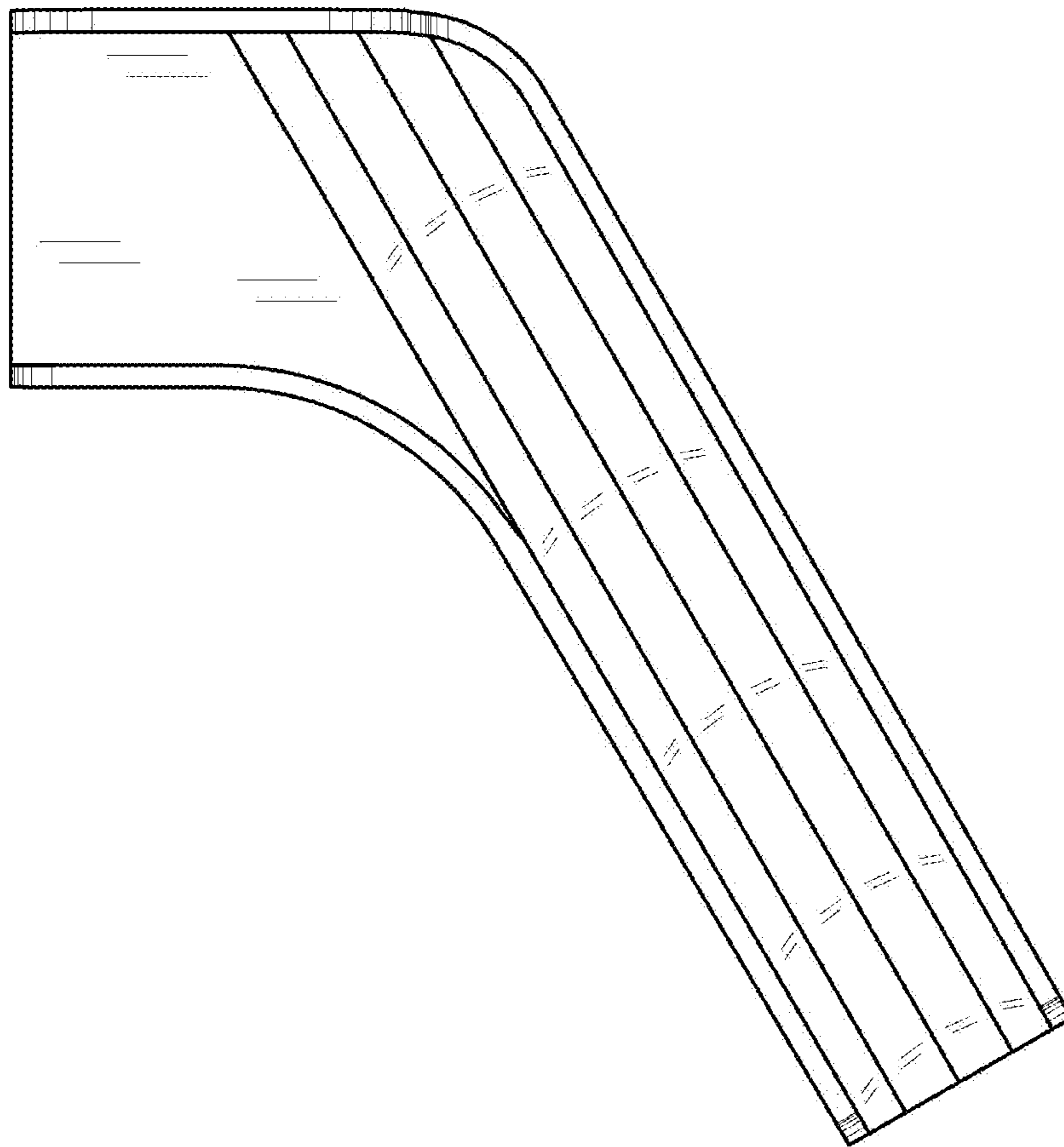


Fig. 53

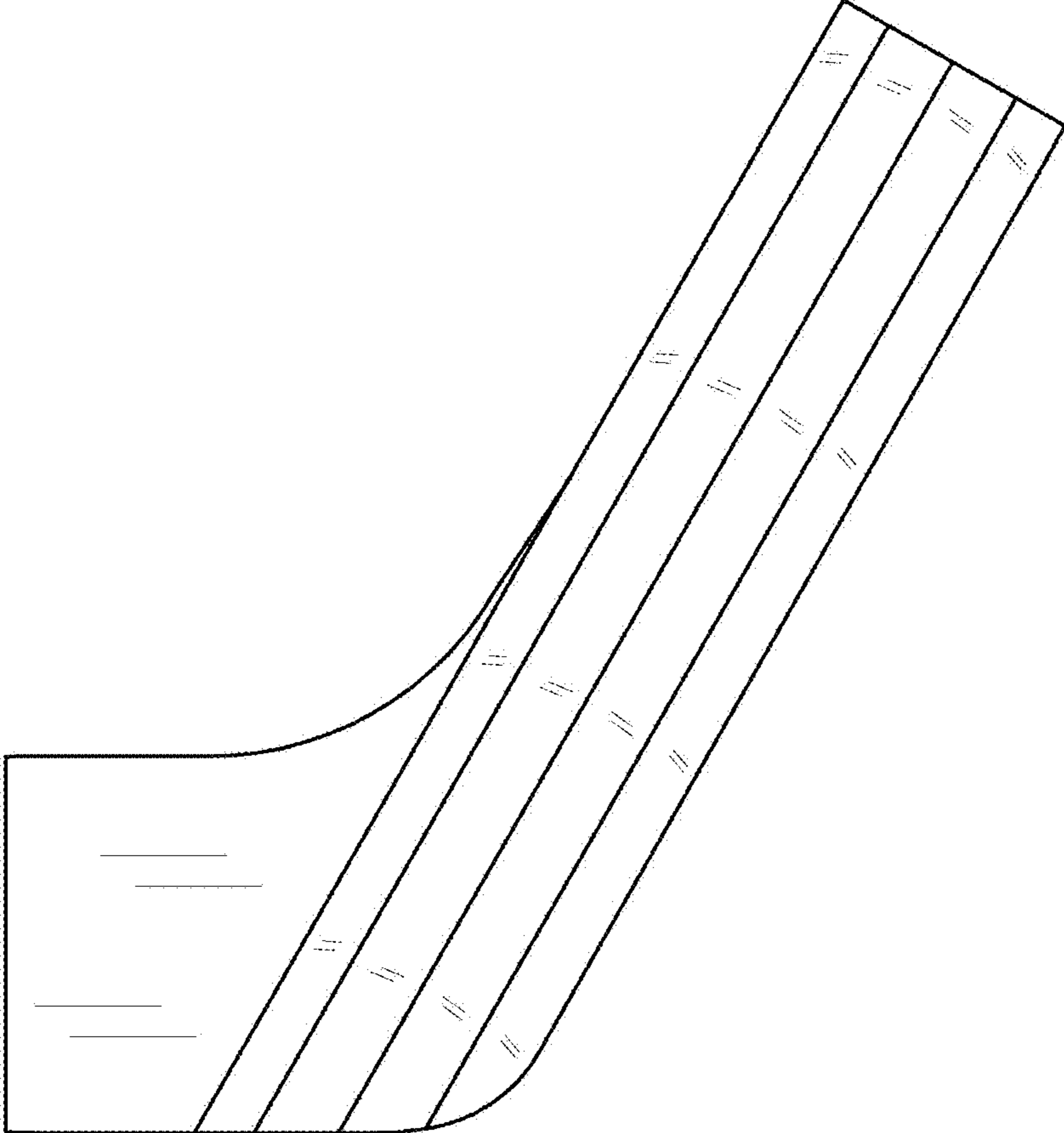


Fig. 54

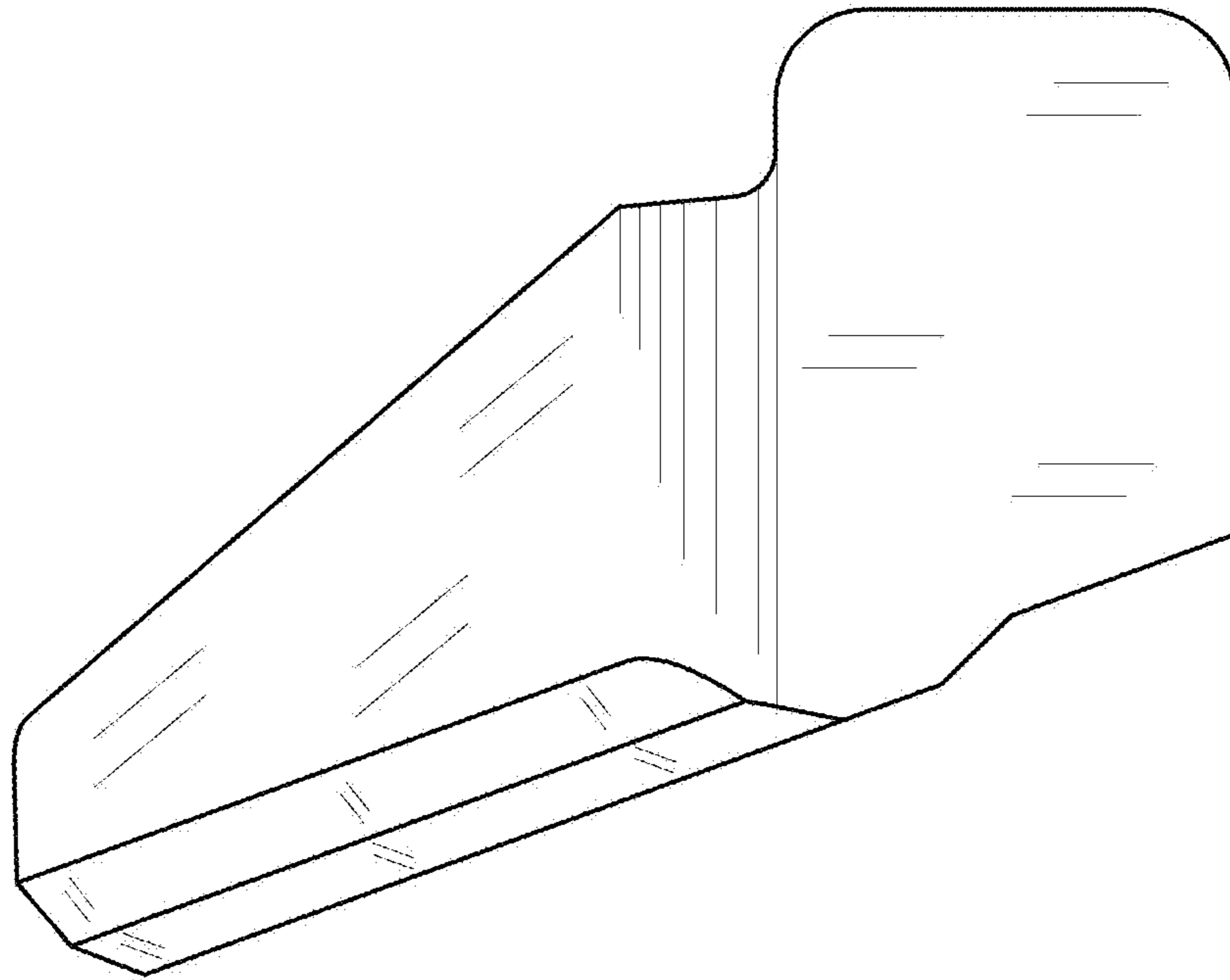


Fig. 55

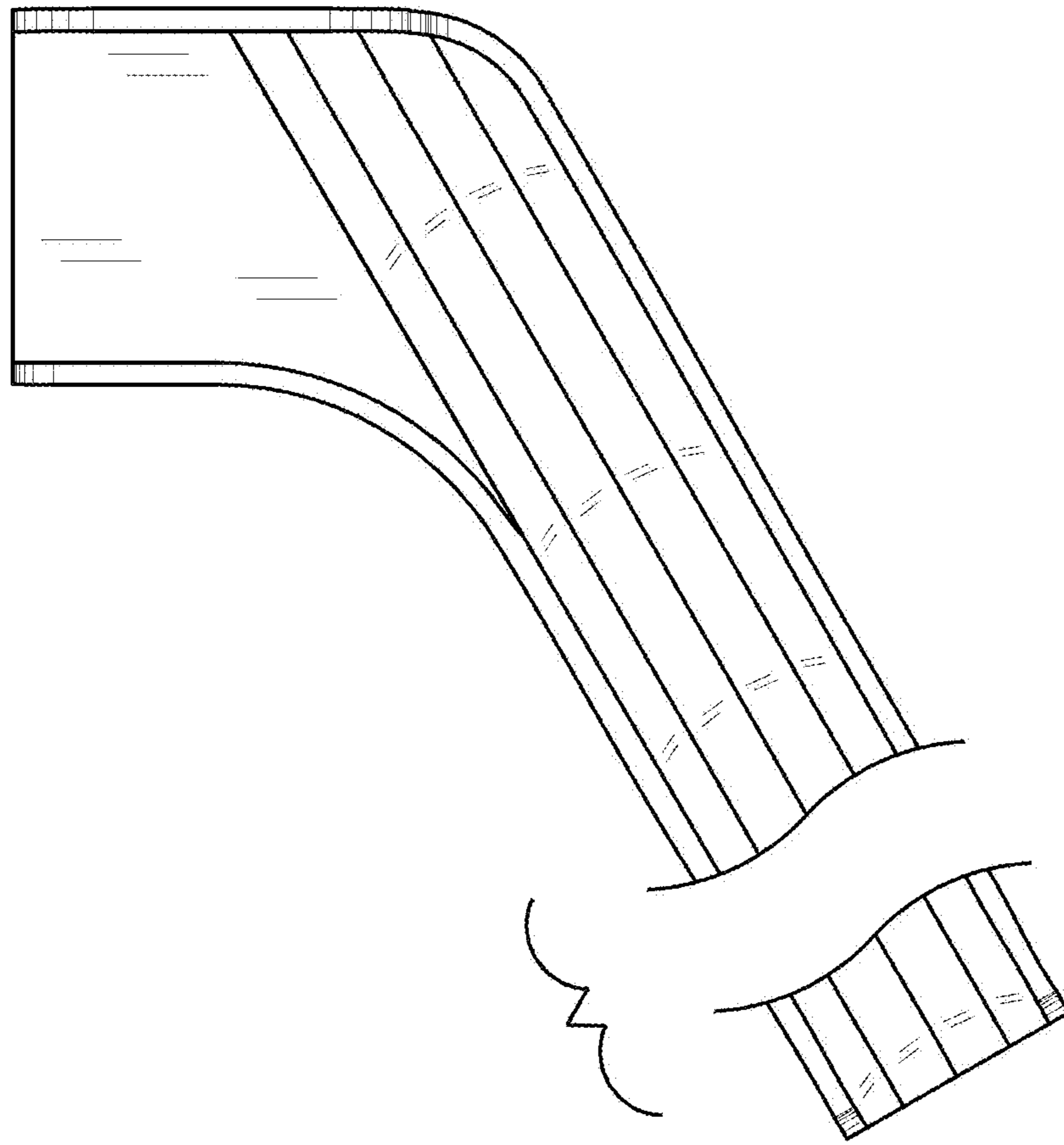


Fig. 56

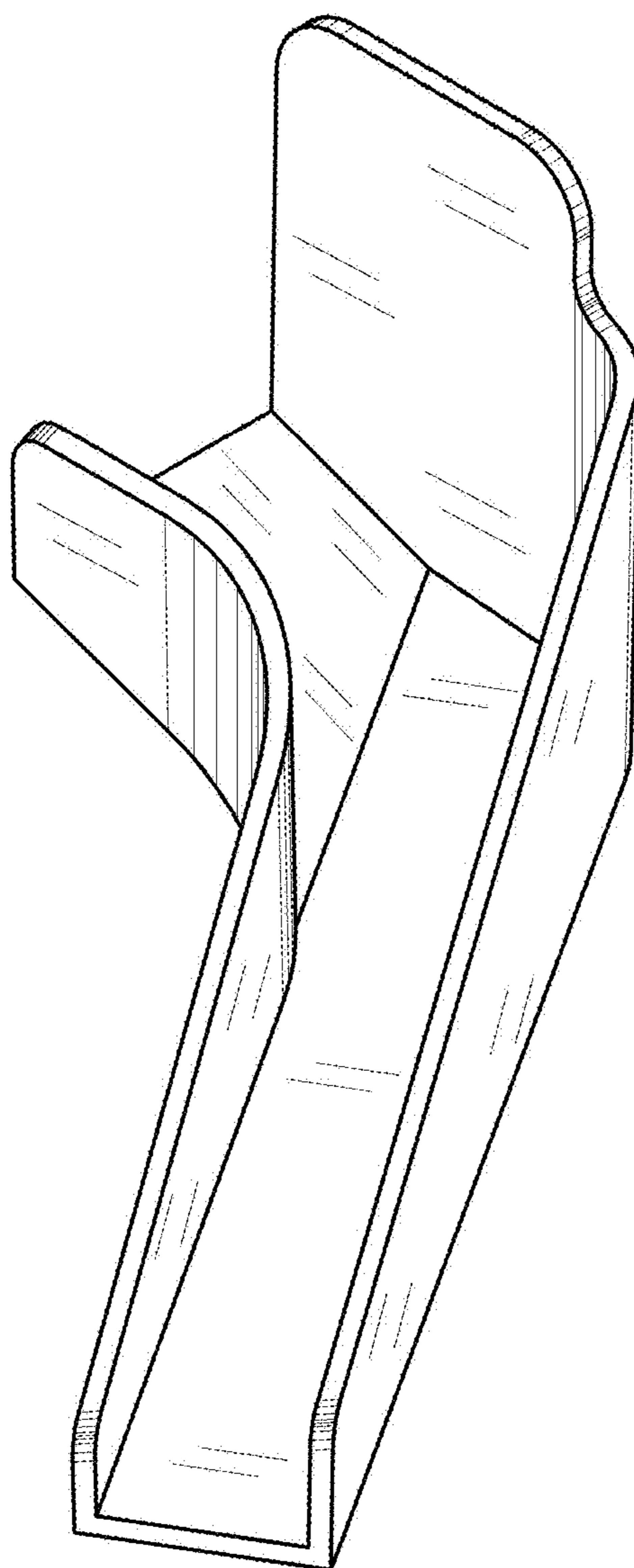


Fig. 57

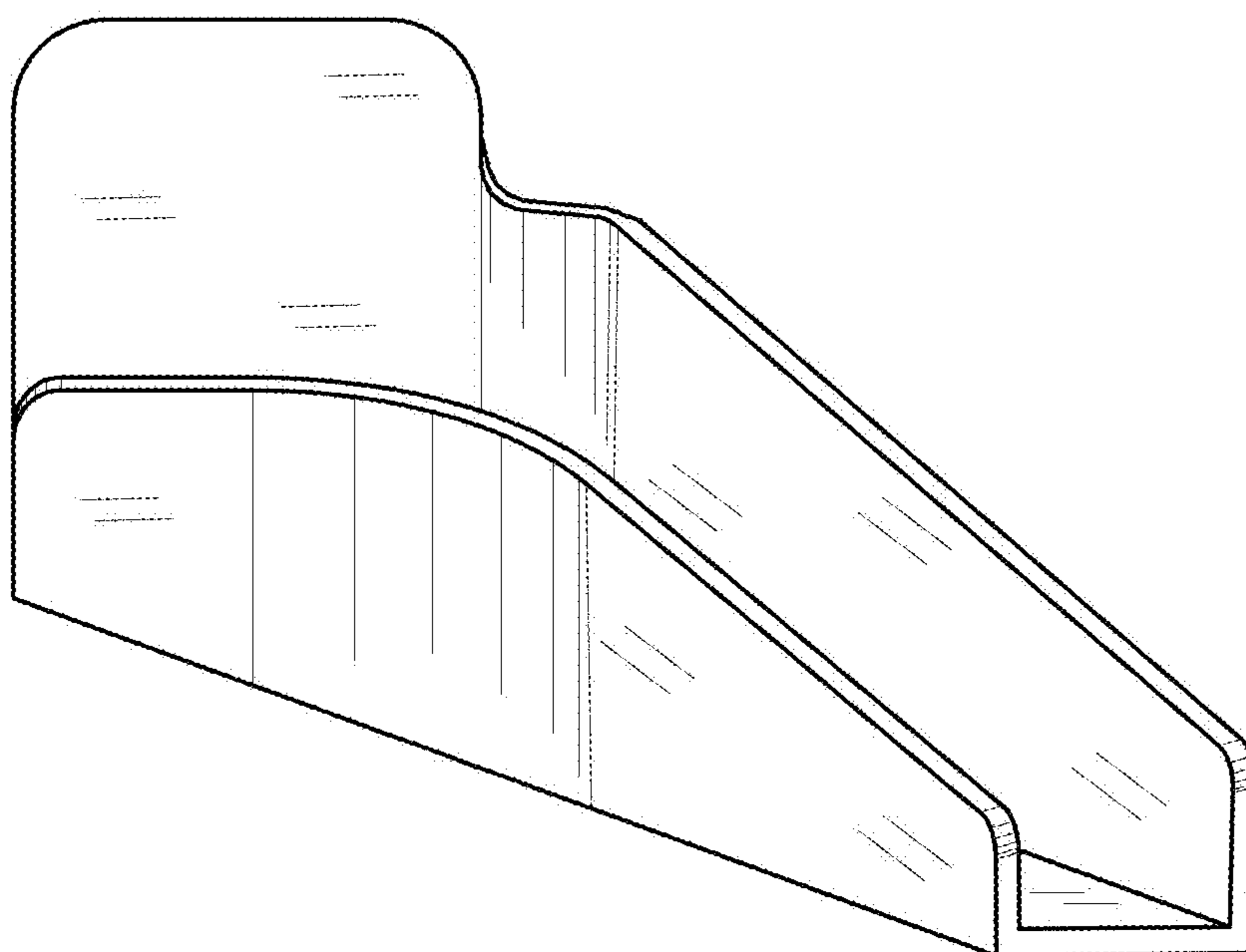


Fig. 58

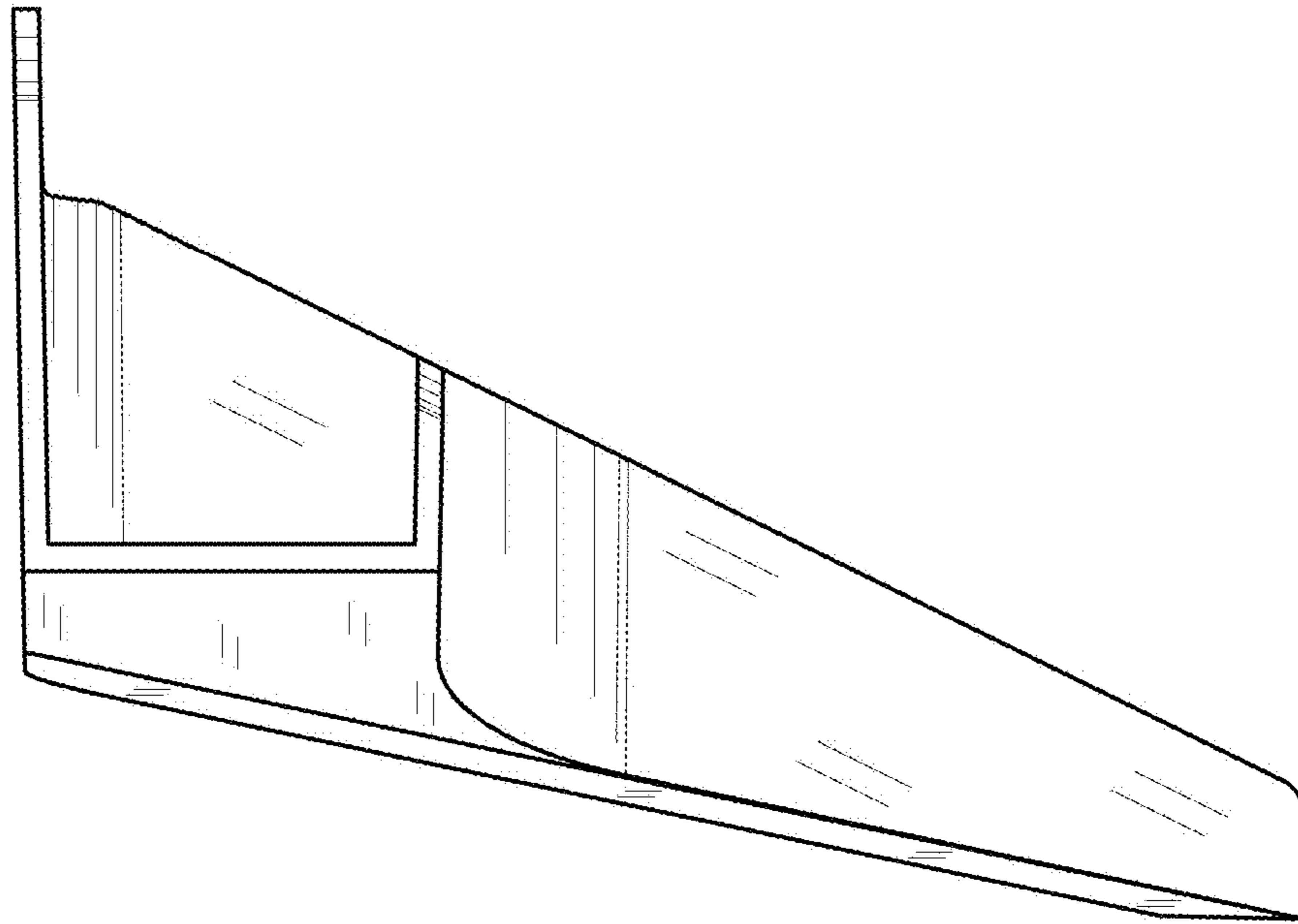


Fig. 59

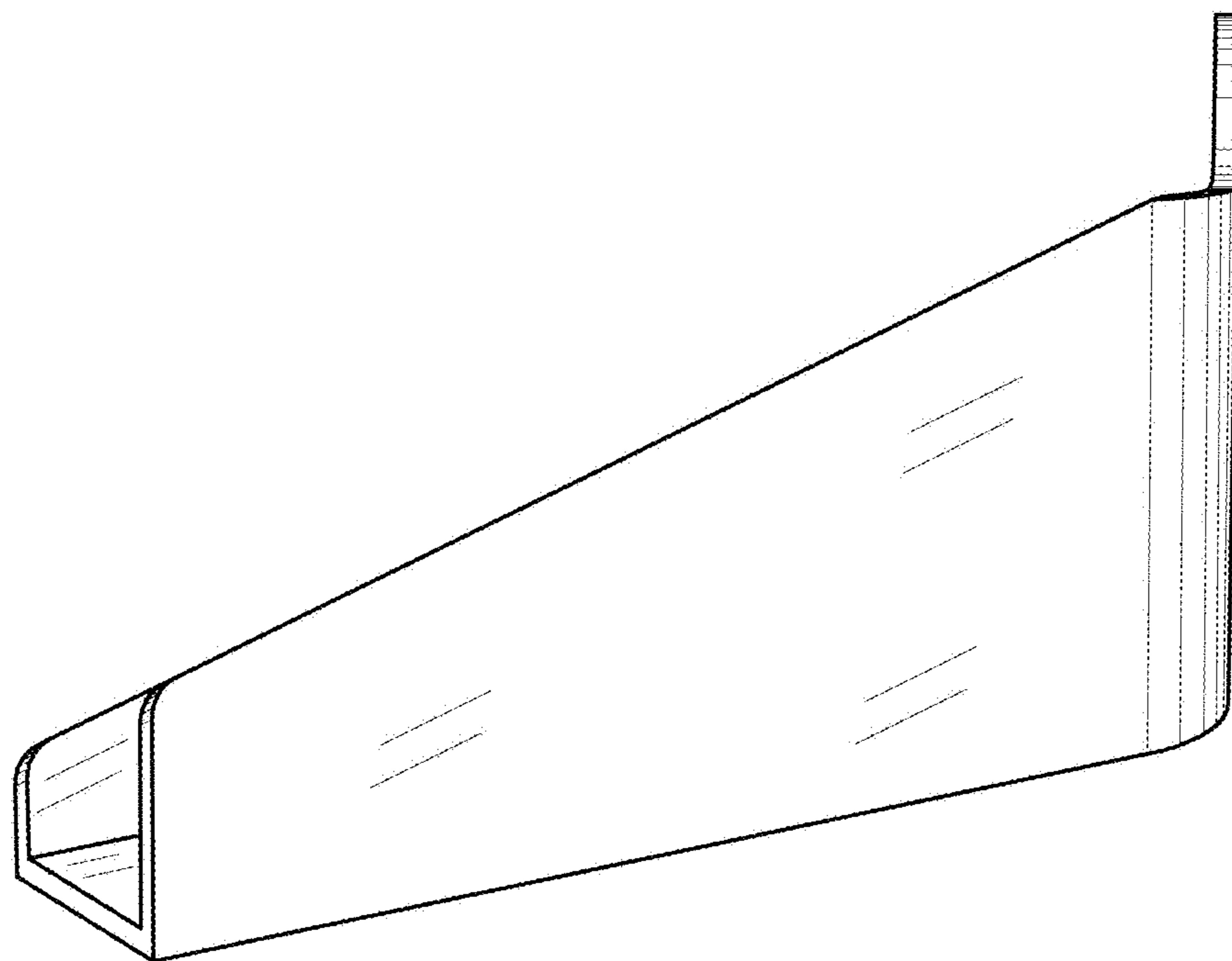


Fig. 60

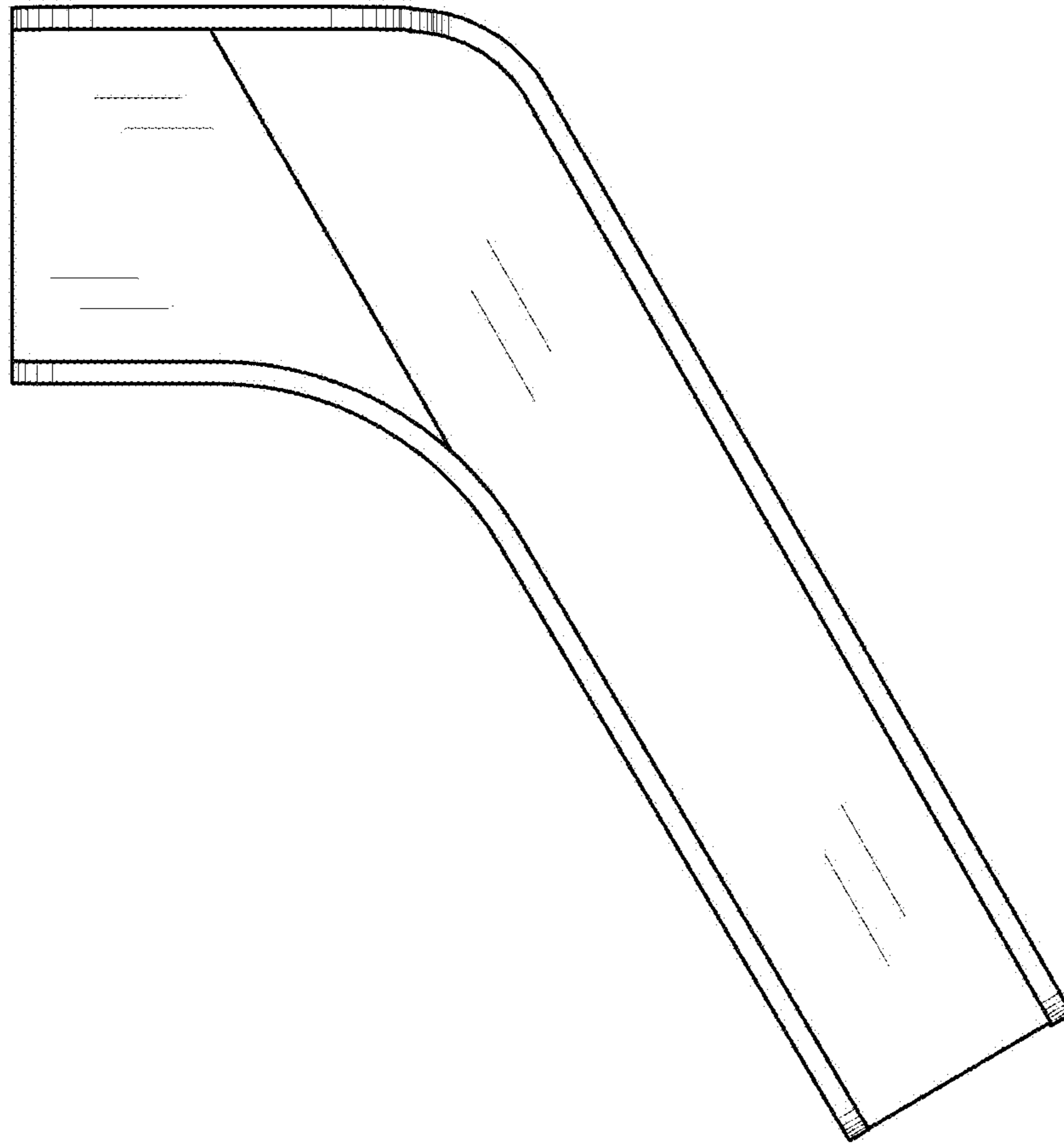


Fig. 61

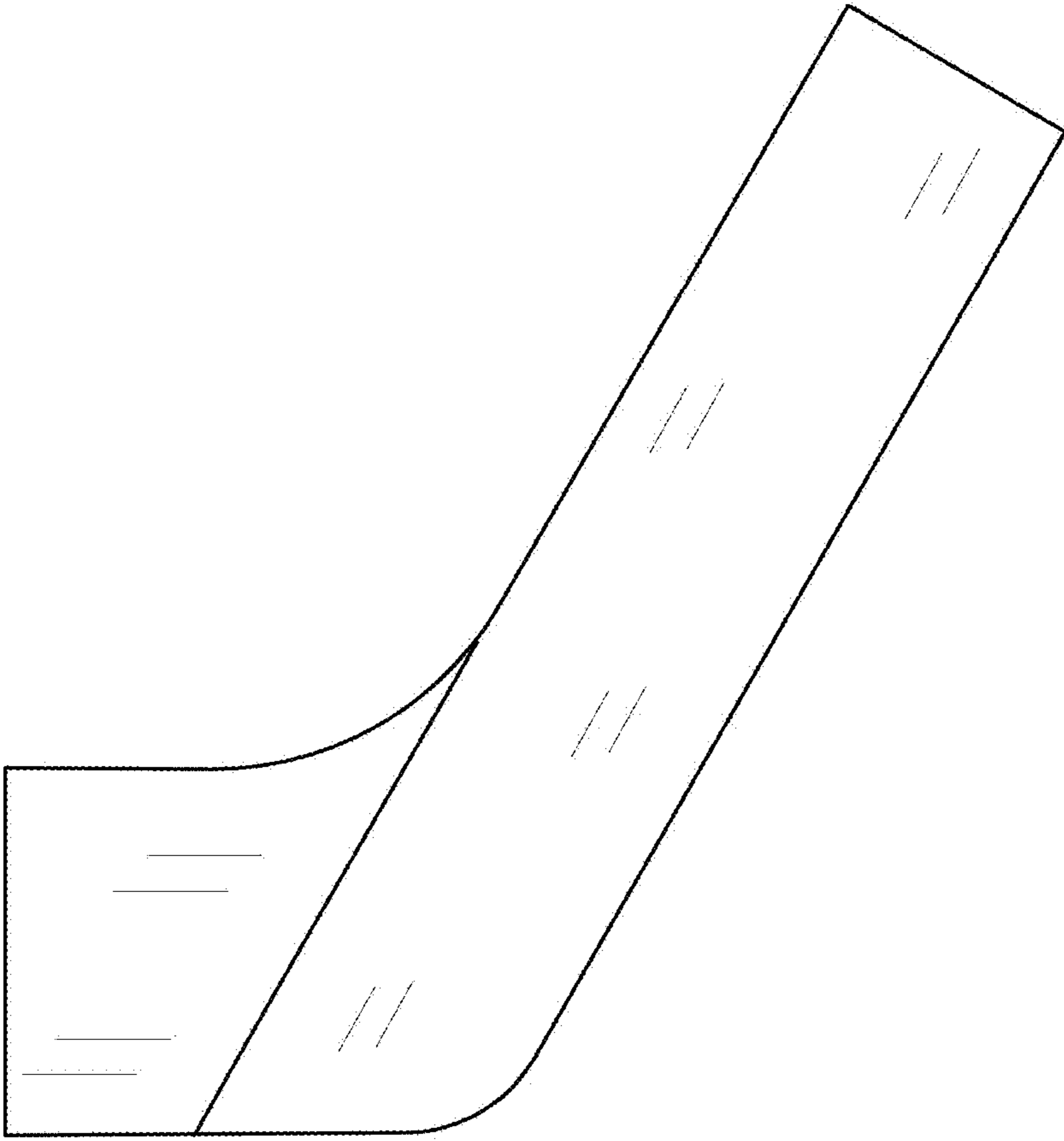


Fig. 62

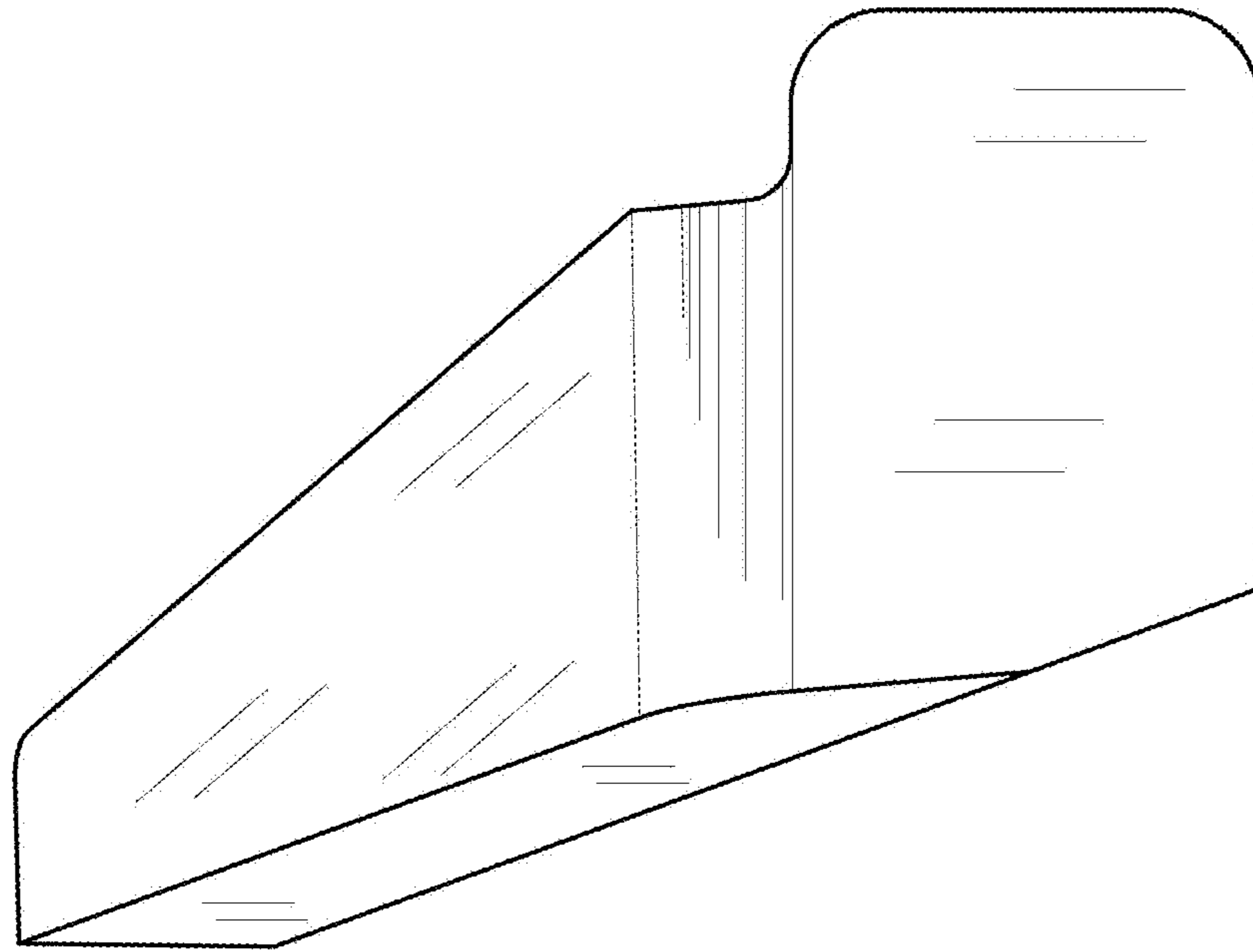


Fig. 63

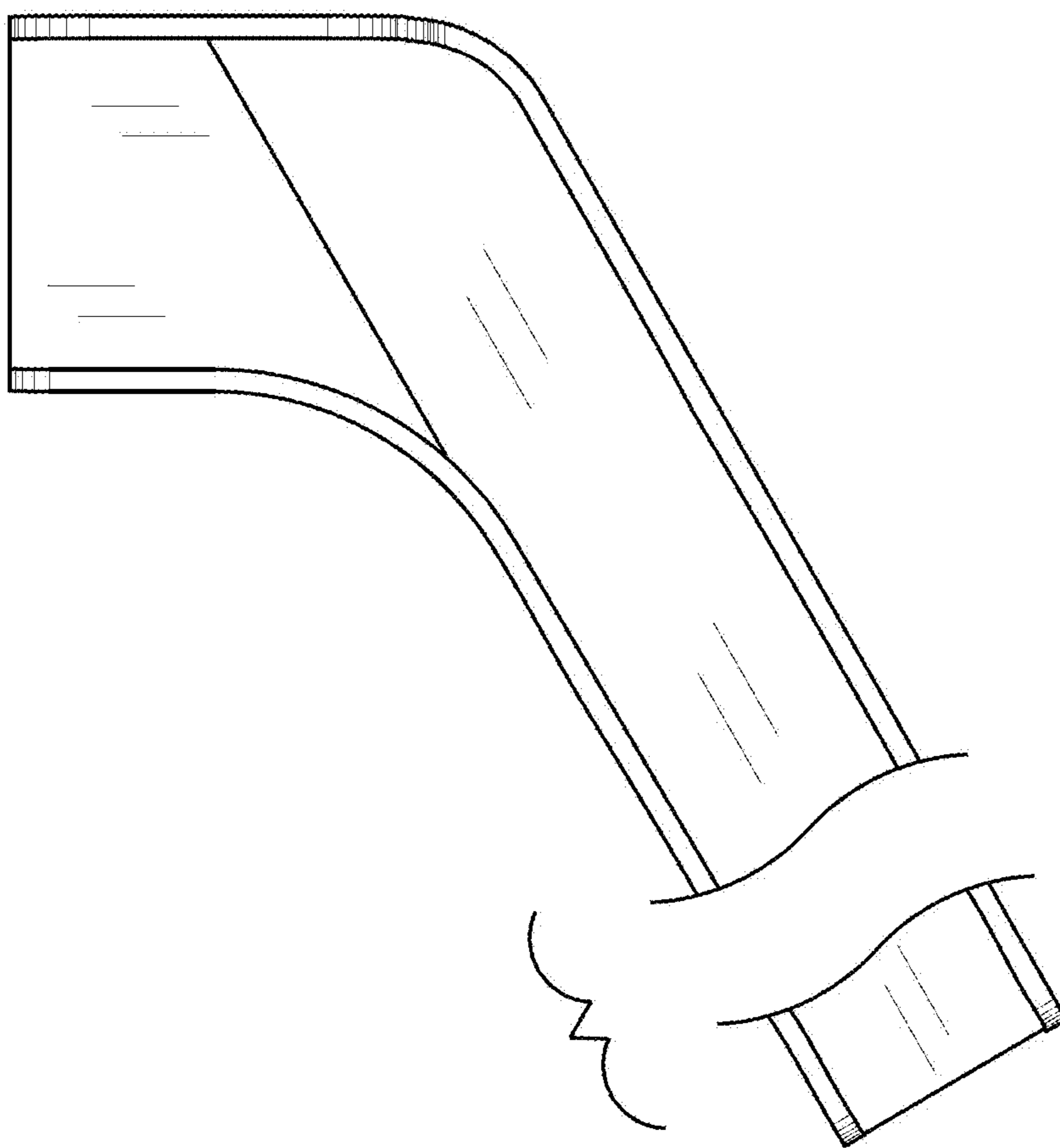


Fig. 64