



US00D744071S

(12) **United States Design Patent**  
**Natoli et al.**

(10) **Patent No.:** **US D744,071 S**  
(45) **Date of Patent:** **\*\* Nov. 24, 2015**

(54) **CONNECTOR COVERING DEVICE**

FOREIGN PATENT DOCUMENTS

(71) Applicant: **John Mezzalingua Associates, LLC**,  
Liverpool, NY (US)

CN 102939688 A 2/2013  
EP 0872915 A2 10/1988

(Continued)

(72) Inventors: **Christopher P. Natoli**, Baldwinsville,  
NY (US); **Ian Baker**, Baldwinsville, NY  
(US)

OTHER PUBLICATIONS

Watertight Connector, 5-15R, 15A, 125V, Announced Dec. 4, 2012,  
[Site Visited Jul. 1, 2015] <http://www.grainger.com/product/HUB-BELL-WIRING-DEVICE-KELLEMS-Watertight-Connector-1X977>.\*

(Continued)

(73) Assignee: **John Mezzalingua Associates, LLC**,  
Liverpool, NY (US)

(\*\*) Term: **14 Years**

*Primary Examiner* — Eric Goodman

*Assistant Examiner* — Luqman McNeil

(21) Appl. No.: **29/469,655**

(74) *Attorney, Agent, or Firm* — Barclay Damon, LLP

(22) Filed: **Oct. 11, 2013**

(57) **CLAIM**

The ornamental design for a connector covering device, as shown and described.

**Related U.S. Application Data**

**DESCRIPTION**

(60) Continuation-in-part of application No. 13/401,835,  
filed on Feb. 21, 2012, now abandoned, and a  
continuation-in-part of application No. 13/237,563,  
filed on Sep. 20, 2011, now abandoned, which is a

(Continued)

(51) **LOC (10) Cl.** ..... **23-01**

(52) **U.S. Cl.**  
USPC ..... **D23/262**

(58) **Field of Classification Search**  
USPC ..... D23/262, 259; D13/154, 156; 285/16;  
4/694; 439/369, 521, 449, 515;  
174/138 F

CPC ..... F16L 57/06; E03C 1/24; H01R 13/6392;  
H01R 13/5216; H01R 13/58; G03B 17/02  
See application file for complete search history.

A portion of the disclosure of this patent document contains or may contain material which is subject to copyright protection. The copyright owner has no objection to the photocopy reproduction by anyone of the patent document in exactly the form it appears in the Patent and Trademark Office patent file or records, but otherwise reserves all copyrights whatsoever. FIG. 1 is a right side elevation view of the connector covering device; FIG. 2 is a left side elevation view of the connector covering device thereof; FIG. 3 is a front elevation view of the connector covering device thereof; FIG. 4 is a rear elevation view of the connector covering device thereof; FIG. 5 is a top view of the connector covering device thereof; FIG. 6 is a bottom view of the connector covering device thereof; FIG. 7 is a right side isometric view of the connector covering device thereof; FIG. 8 is a left side isometric view of the connector covering device thereof; and, FIG. 9 is a top isometric view of the connector covering device thereof.

The broken lines in the drawings are shown for illustrative purposes only and form no part of the claimed design.

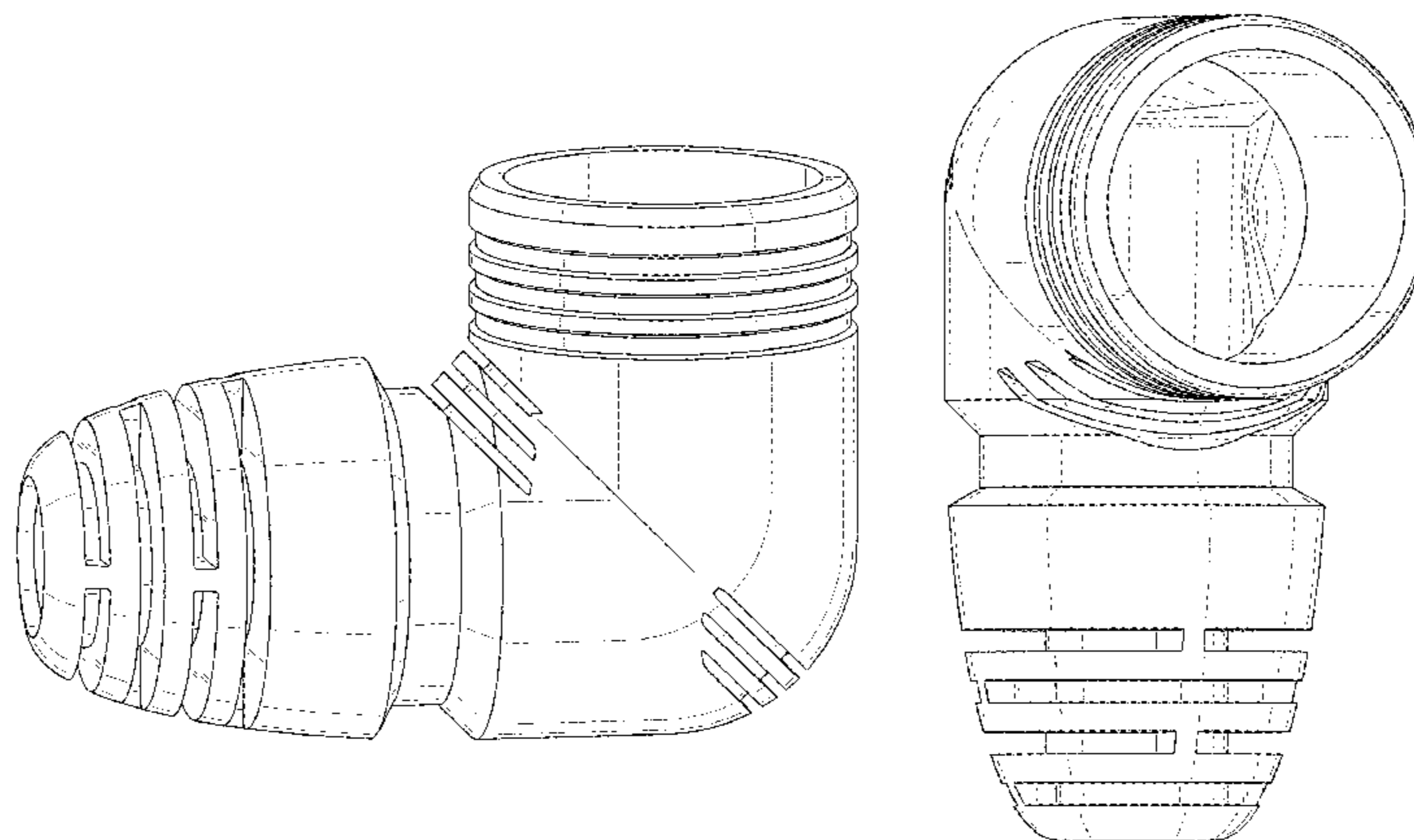
(56) **References Cited**

U.S. PATENT DOCUMENTS

2,946,839 A 7/1960 Horning  
3,390,375 A 6/1968 Salmonson

(Continued)

**1 Claim, 9 Drawing Sheets**



**Related U.S. Application Data**

division of application No. 12/945,525, filed on Nov. 12, 2010, now Pat. No. 8,062,045, which is a division of application No. 12/414,255, filed on Mar. 30, 2009, now Pat. No. 7,838,775.

(56)

**References Cited**

U.S. PATENT DOCUMENTS

3,528,051	A	9/1970	Cooper et al.	
3,753,192	A	8/1973	Urani	
3,861,777	A	1/1975	Clark	
4,173,385	A	11/1979	Fenn et al.	
4,224,464	A	9/1980	Bunnell et al.	
4,283,597	A	8/1981	Cooper	
4,325,600	A	4/1982	Nestor	
4,593,962	A	6/1986	Knorreck et al.	
4,614,392	A	9/1986	Moore	
D296,816	S *	7/1988	Budzinski et al.	D23/263
4,822,293	A	4/1989	Robson	
4,865,353	A *	9/1989	Osborne	285/16
4,915,990	A	4/1990	Chang	
4,998,894	A	3/1991	Gronvall	
5,132,495	A	7/1992	Ewing et al.	
5,502,280	A	3/1996	Rocci et al.	
5,816,853	A	10/1998	Buekers et al.	
5,844,171	A	12/1998	Fitzgerald	
5,857,865	A	1/1999	Shimirak et al.	
5,886,294	A	3/1999	Scrimshire et al.	
6,162,087	A	12/2000	Hiura	
6,273,733	B1	8/2001	Uchiyama	
6,305,945	B1	10/2001	Vance	
D456,363	S *	4/2002	Lee	D13/154
D463,537	S *	9/2002	Kozu et al.	D23/262
6,484,331	B2 *	11/2002	Minnick	4/694
D482,761	S *	11/2003	Gotoh et al.	D23/262
D483,096	S *	12/2003	Gotoh et al.	D23/262
D501,539	S *	2/2005	Dyer, III	D23/262
6,929,265	B2	8/2005	Holland et al.	
6,942,520	B2	9/2005	Barlian et al.	
D517,666	S *	3/2006	Wilk et al.	D23/262
D523,123	S *	6/2006	Wilk et al.	D23/262
D529,998	S *	10/2006	Mutou	D23/262
7,179,100	B2	2/2007	Montena	
7,186,127	B2	3/2007	Montena	
7,402,063	B2	7/2008	Montena	
D575,377	S *	8/2008	Roman	D23/259
D575,744	S *	8/2008	Amidon	D13/156
D584,802	S *	1/2009	Goodridge	D23/262
D586,433	S *	2/2009	Price et al.	D23/259

D596,579	S	7/2009	Chawgo et al.	
D596,580	S	7/2009	Chawgo et al.	
D596,581	S	7/2009	Amidon	
D603,802	S	11/2009	Amidon	
D603,803	S	11/2009	Amidon	
D605,136	S	12/2009	Amidon	
D616,969	S *	6/2010	Zore	D23/262
D624,161	S *	9/2010	Zore	D23/262
7,838,775	B2 *	11/2010	Montena	174/138 F
D631,848	S *	2/2011	Montena et al.	D13/154
D632,764	S *	2/2011	Cheng	D23/262
D634,406	S *	3/2011	Klimas	D23/262
D634,818	S *	3/2011	Leroyer	D23/263
D642,988	S *	8/2011	Montena et al.	
D643,370	S	8/2011	Eriksen et al.	D13/156
D643,372	S	8/2011	Montena et al.	
D646,227	S *	10/2011	Natoli	D13/156
D652,121	S *	1/2012	Bonhag et al.	D23/263
D656,101	S	3/2012	Montena et al.	
D659,102	S *	5/2012	Natoli	D13/156
D664,100	S *	7/2012	Montena et al.	D13/156
8,419,467	B2	4/2013	Montena	
2004/0245730	A1	12/2004	Holland et al.	
2006/0035508	A1 *	2/2006	Stekelenburg	439/369
2006/0286862	A1	12/2006	Lubinsky et al.	
2011/0230083	A1 *	9/2011	Anderson et al.	439/521
2011/0256755	A1 *	10/2011	Montena	439/449
2012/0214335	A1 *	8/2012	Natoli et al.	439/519

FOREIGN PATENT DOCUMENTS

EP	0637116	A1	1/1995	
EP	1249897		10/2002	
GB	2019665		10/1979	
KR	300339603.0000	*	12/2003	
KR	300665165.0000	*	10/2012	
RU	00053167	*	9/2003	

OTHER PUBLICATIONS

Phoenix Contact; Connectors, Announced Mar. 4, 2008, [Site Visited Jul. 1, 2015] [https://www.phoenixcontact.com/online/portal/us?ldmy&urile=wcm:path:/usen/web/main/products/subcategory\\_\\_pages/plugin\\_connectors\\_p-20/6c873b9e-f8e5-4804-b375-44eddba0f763](https://www.phoenixcontact.com/online/portal/us?ldmy&urile=wcm:path:/usen/web/main/products/subcategory__pages/plugin_connectors_p-20/6c873b9e-f8e5-4804-b375-44eddba0f763).\*

907N1160 Nu-Tec Nozzle Retainer—Standard/ Trafimet PC0116 (1-Pack ), Announced Jan. 31, 2010, [Site Visited Jul. 1, 2015] <http://weldingdirect.com/mashcapnpto.html>.\*

\* cited by examiner

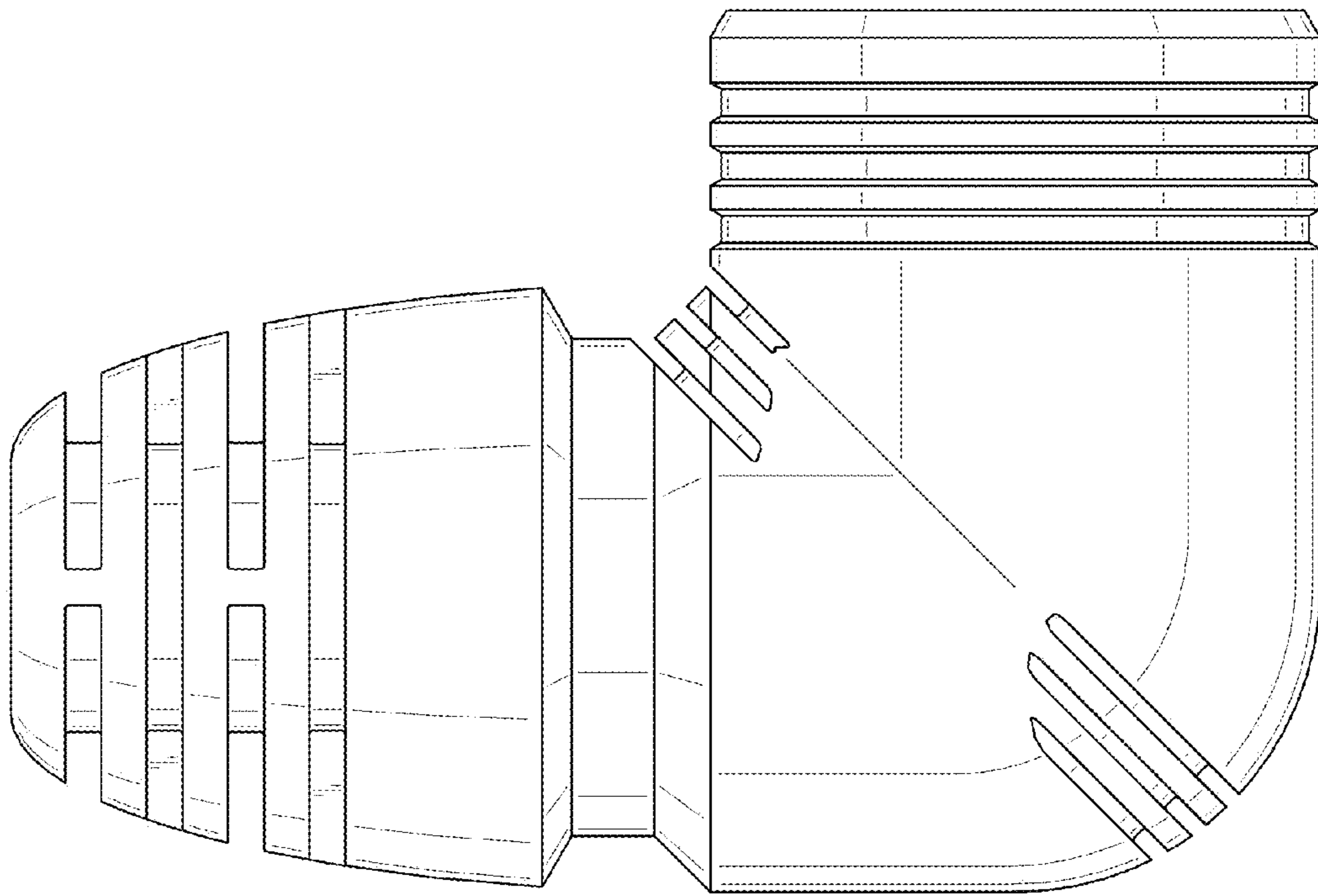


FIG. 1

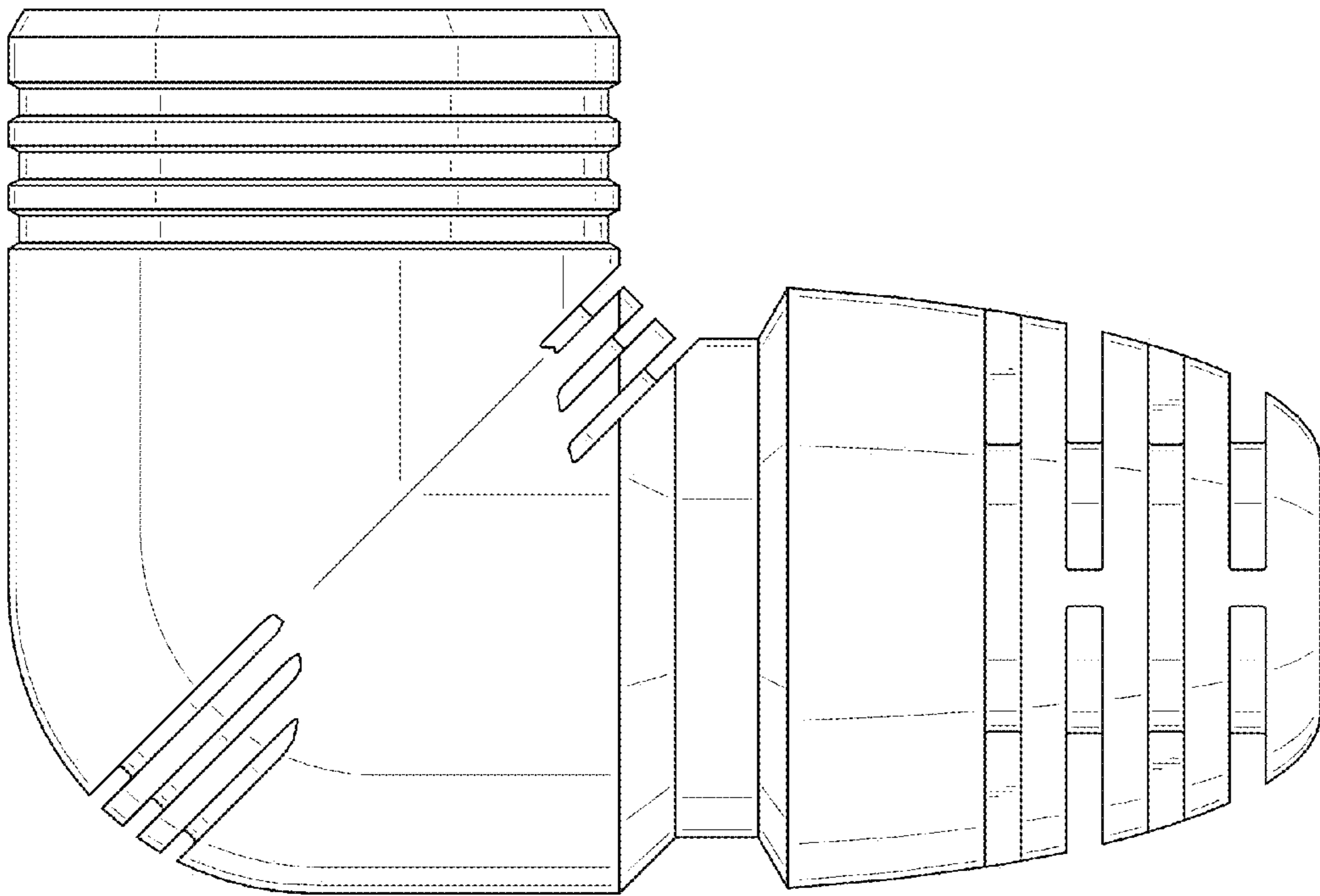


FIG. 2

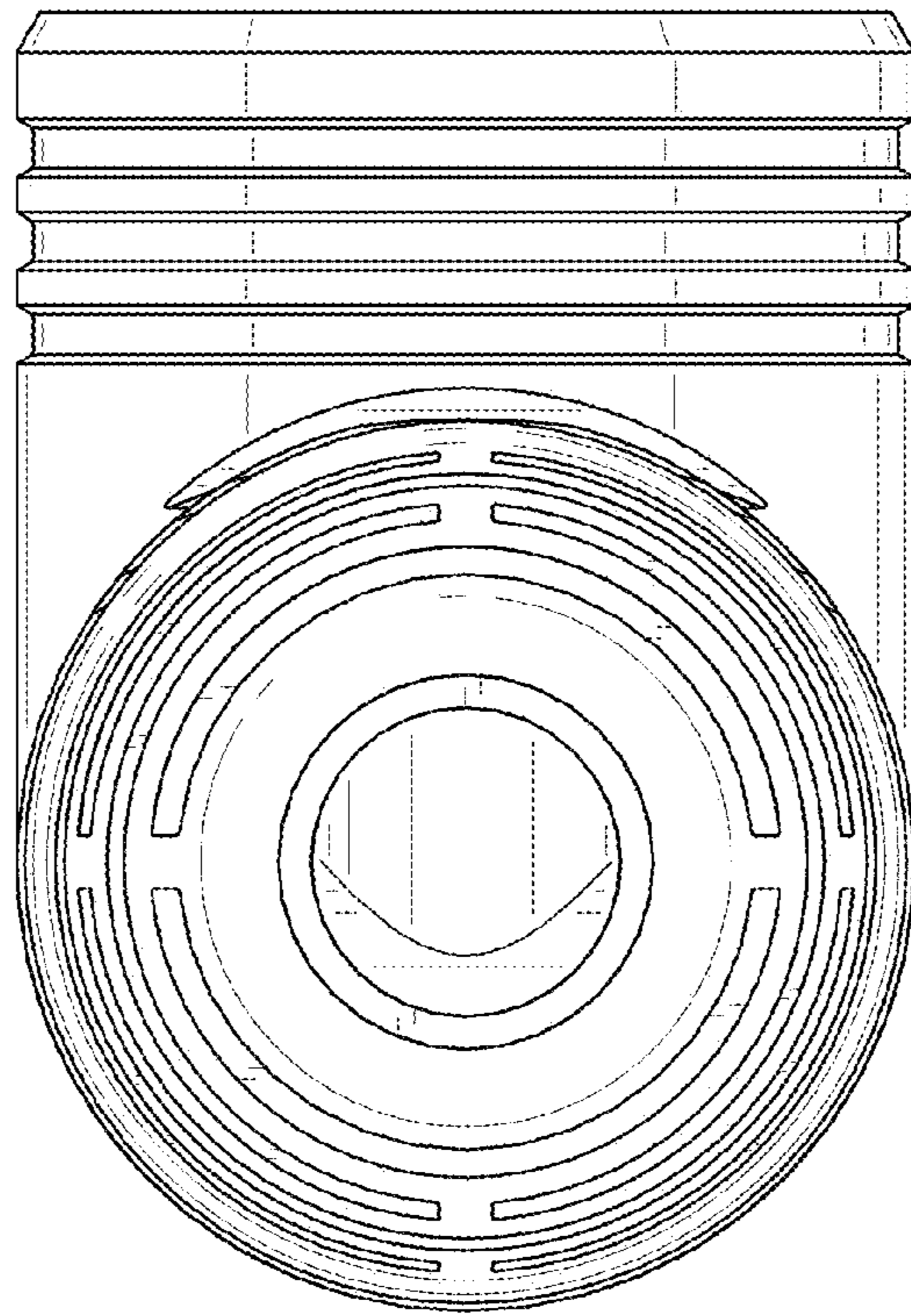


FIG. 3

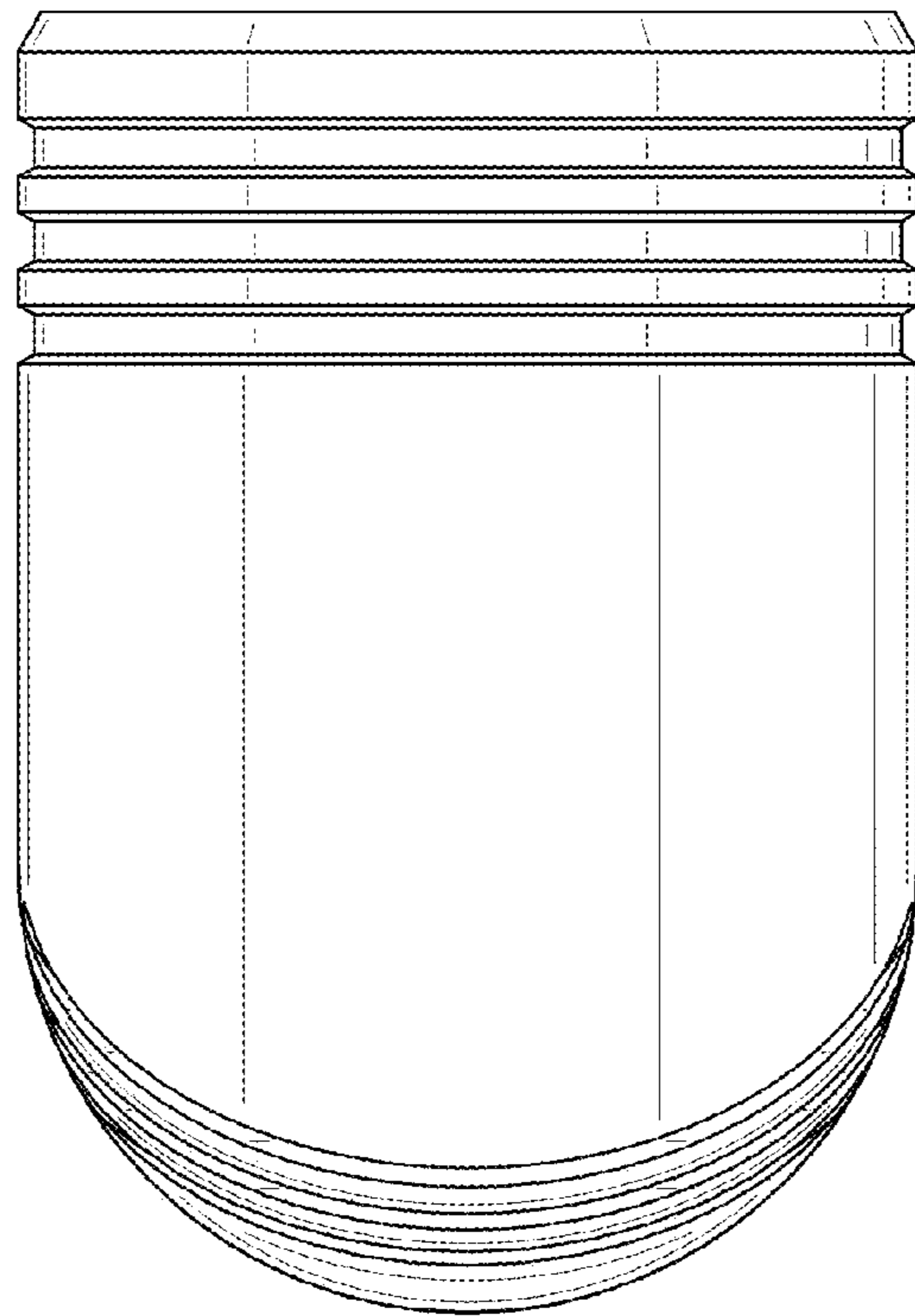


FIG. 4

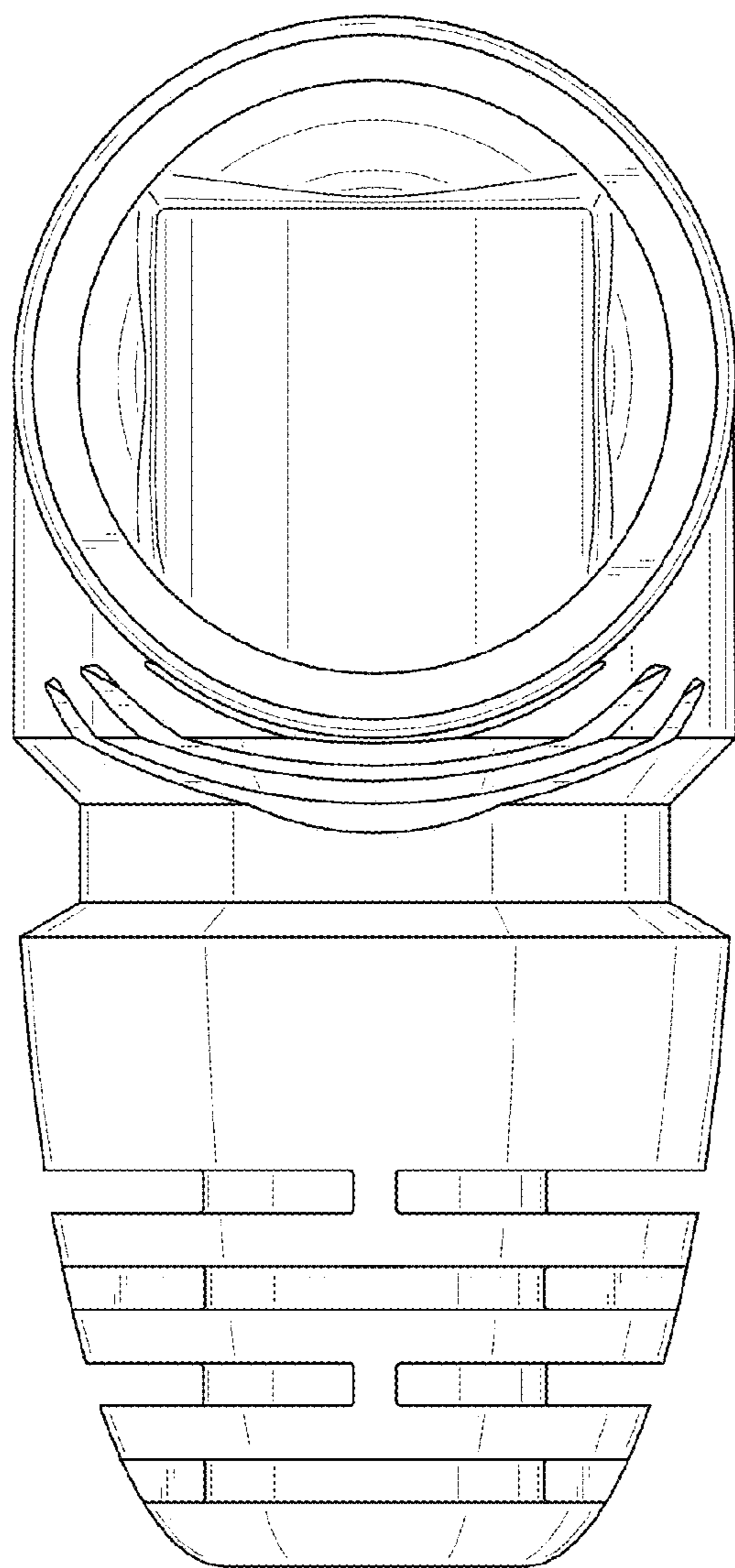


FIG. 5

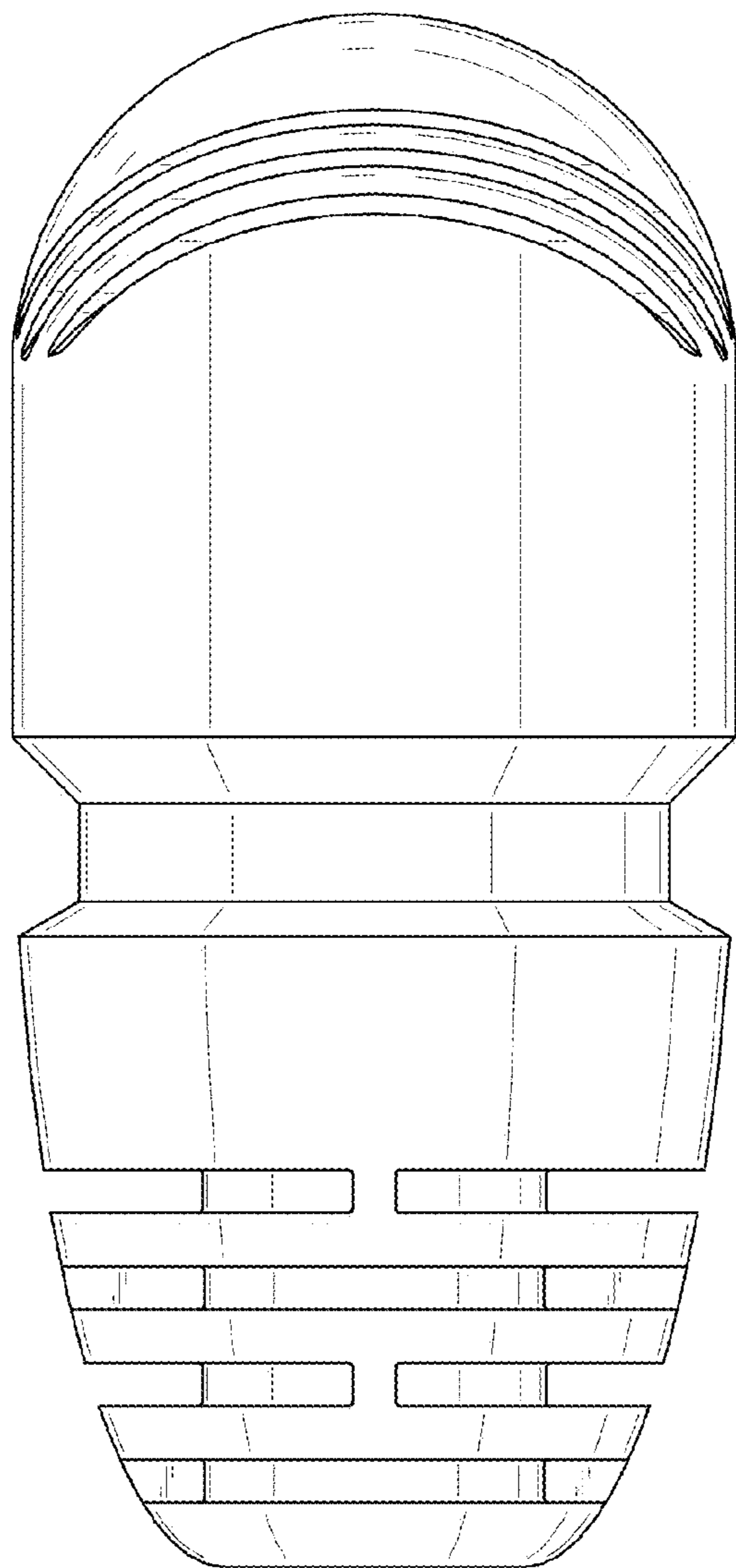


FIG. 6



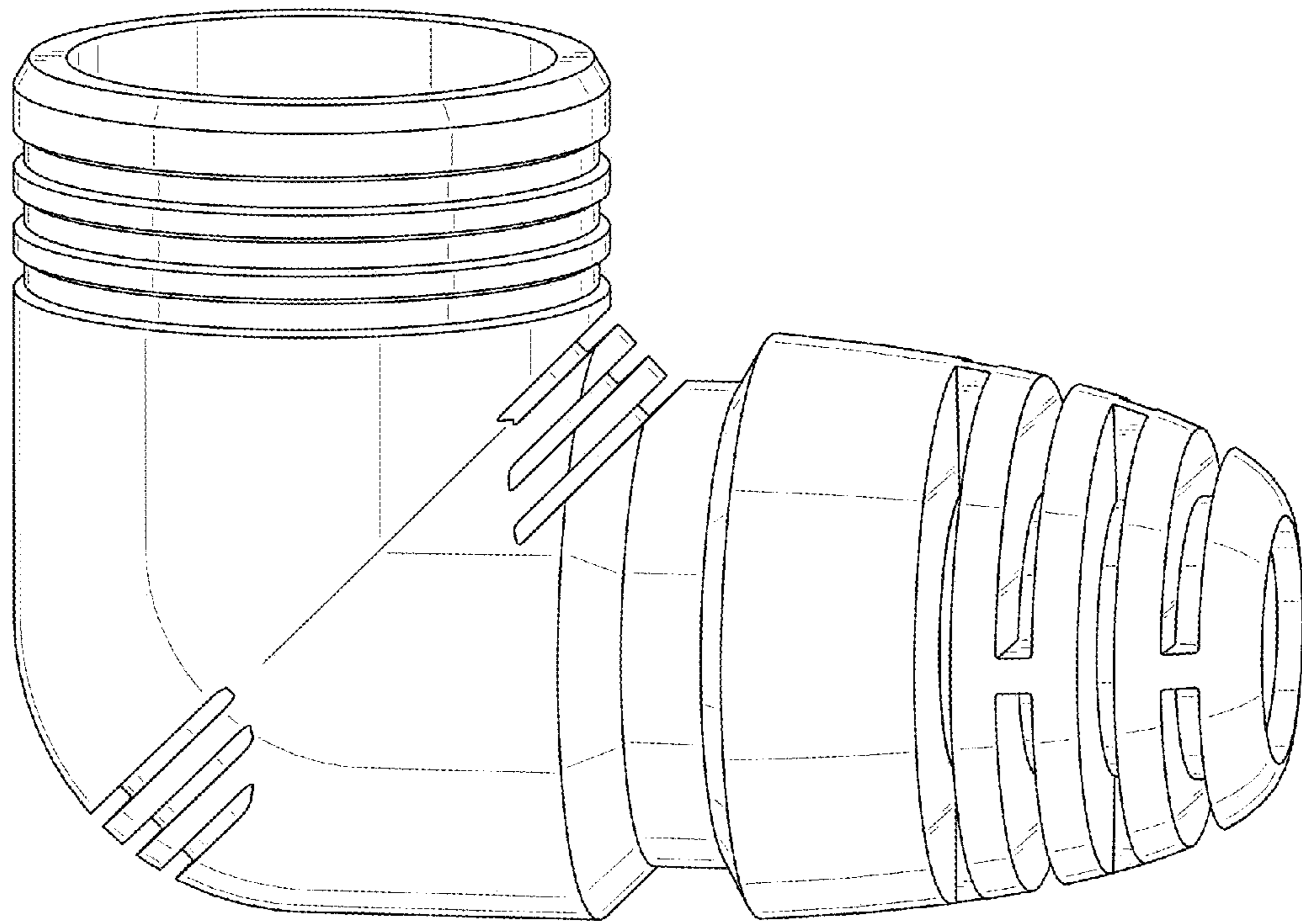


FIG. 7

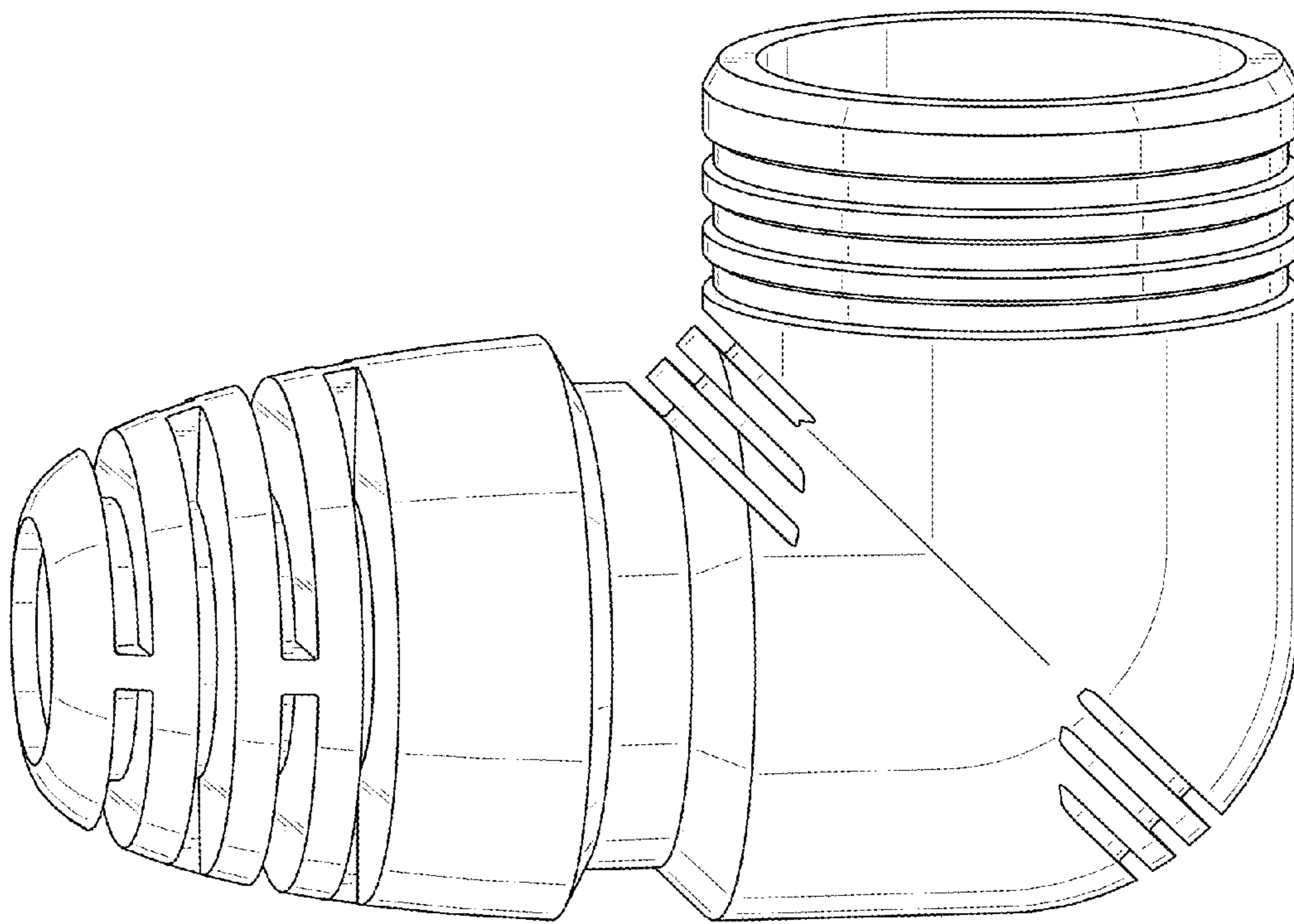


FIG. 8

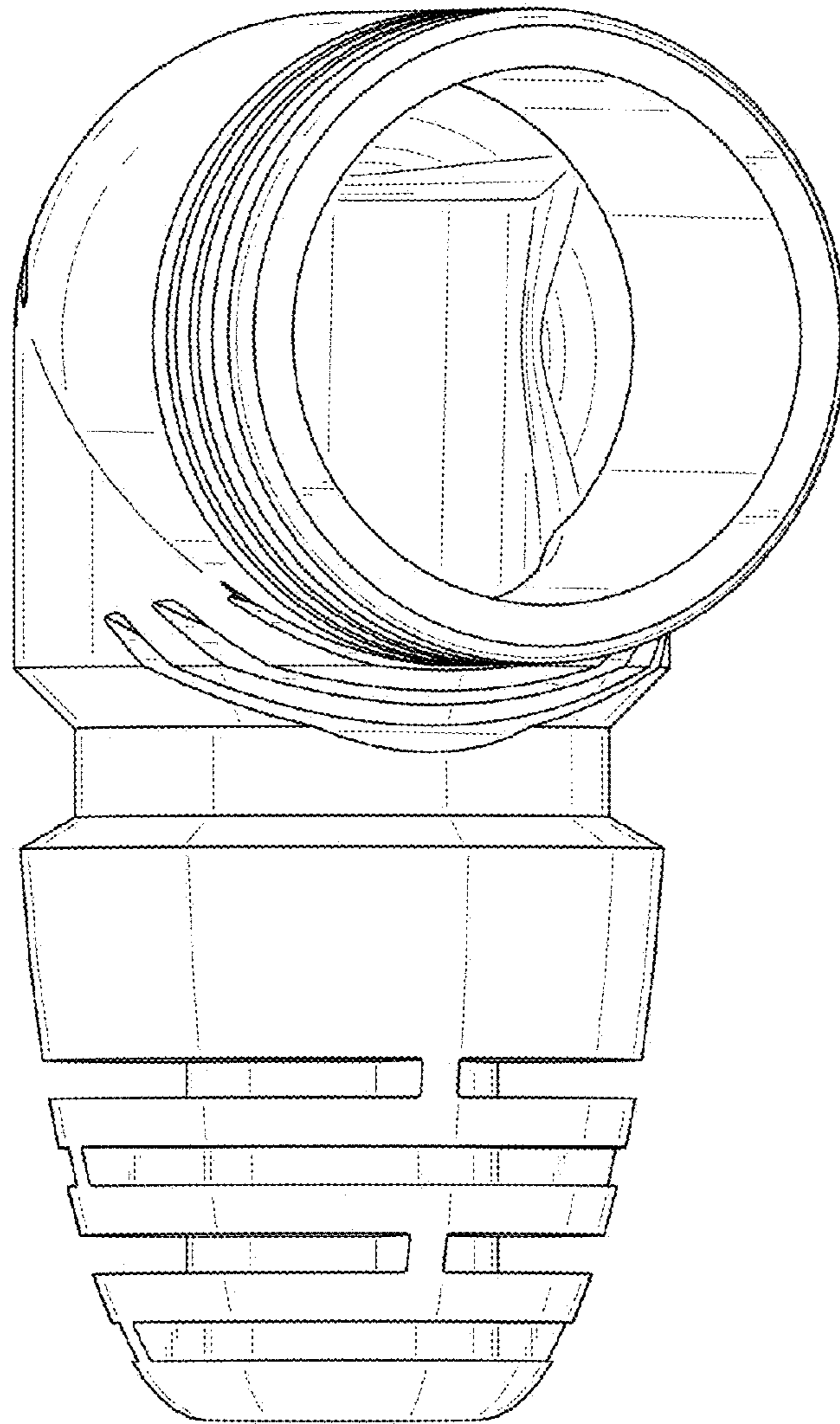


FIG. 9