



US00D744070S

(12) **United States Design Patent**
Kuang

(10) **Patent No.:** **US D744,070 S**

(45) **Date of Patent:** **** Nov. 24, 2015**

(54) **FLOOR DRAIN**

(71) Applicant: **Kaiping Xinmingguang Hardware Products Co., LTD., Jiangmen (CN)**

(72) Inventor: **Woguang Kuang, Jiangmen (CN)**

(73) Assignee: **KAIPING XINMINGGUANG HARDWARE PRODUCTS CO., LTD., Jiangmen, Guangdong Province (CN)**

(**) Term: **14 Years**

(21) Appl. No.: **29/453,883**

(22) Filed: **May 3, 2013**

(30) **Foreign Application Priority Data**

Feb. 7, 2013 (CN) 2013 3 0039030

(51) **LOC (10) Cl.** **23-01**

(52) **U.S. Cl.**
USPC **D23/261**

(58) **Field of Classification Search**
USPC D23/205, 209, 260, 261, 263, 266, 268;
D24/129
CPC F16L 41/08; F16L 41/12; F16L 45/00;
F16L 57/00; F16L 57/06; E03F 5/04; E03F
5/06; B65D 88/26; B65D 88/54
See application file for complete search history.

(56) **References Cited**

U.S. PATENT DOCUMENTS

1,813,687	A *	7/1931	Stockholder	210/180
2,506,064	A *	5/1950	Christie	285/149.1
D163,487	S *	5/1951	Schustack et al.	D23/263
D254,564	S *	3/1980	Johnson	D23/263
D255,596	S *	6/1980	Johnson	D23/263
D297,678	S *	9/1988	Sisk	D34/28
D323,709	S *	2/1992	Wyatt et al.	D24/129

D374,067	S *	9/1996	Crook	D23/261
D468,002	S *	12/2002	Steffan	D23/260
D540,464	S *	4/2007	Guney et al.	D24/110.6
D559,958	S *	1/2008	Trangsrud	D23/268
D644,305	S *	8/2011	White	D23/266
D654,999	S *	2/2012	Barrett et al.	D24/129
D673,657	S *	1/2013	Sisk	D23/262
D681,230	S *	4/2013	Mosler et al.	D24/231
D715,145	S *	10/2014	Yamagishi et al.	D9/447
D717,405	S *	11/2014	Coronado	D23/259
D720,838	S *	1/2015	Yamagishi et al.	D23/261
2005/0166315	A1 *	8/2005	Warnecke et al.	4/695
2005/0236057	A1 *	10/2005	Slentz	138/89
2010/0176041	A1 *	7/2010	Schlueter	210/163
2012/0192963	A1 *	8/2012	Minich et al.	137/317
2012/0193909	A1 *	8/2012	Minich et al.	285/197
2012/0241028	A1 *	9/2012	Kirk	137/527

* cited by examiner

Primary Examiner — Eric Goodman

Assistant Examiner — Daniel J Domino

(74) *Attorney, Agent, or Firm* — R. Neil Sudol; Henry D. Coleman

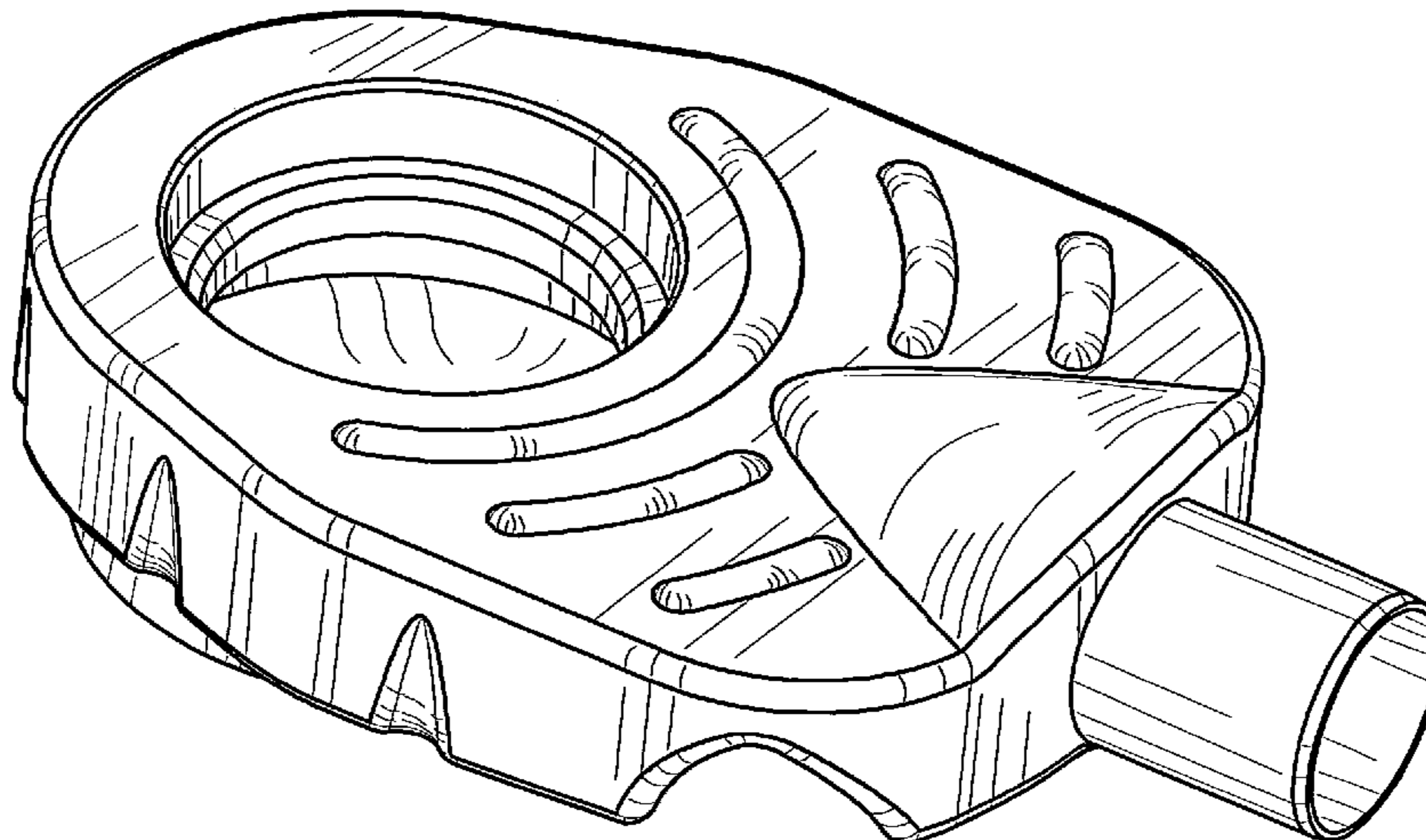
(57) **CLAIM**

The ornamental design for the floor drain, as shown and described.

DESCRIPTION

FIG. 1 is a top, front, and right side perspective view of a floor drain, showing our new design;
FIG. 2 is a top, rear, and left side perspective view thereof;
FIG. 3 is a front view thereof;
FIG. 4 is a rear view thereof;
FIG. 5 is a left elevational thereof;
FIG. 6 is a right elevational view thereof;
FIG. 7 is a top plan view thereof;
FIG. 8 is a bottom plan view thereof; and,
FIG. 9 is a sectional view thereof, taken along line 9-9 in FIG. 7.

1 Claim, 9 Drawing Sheets



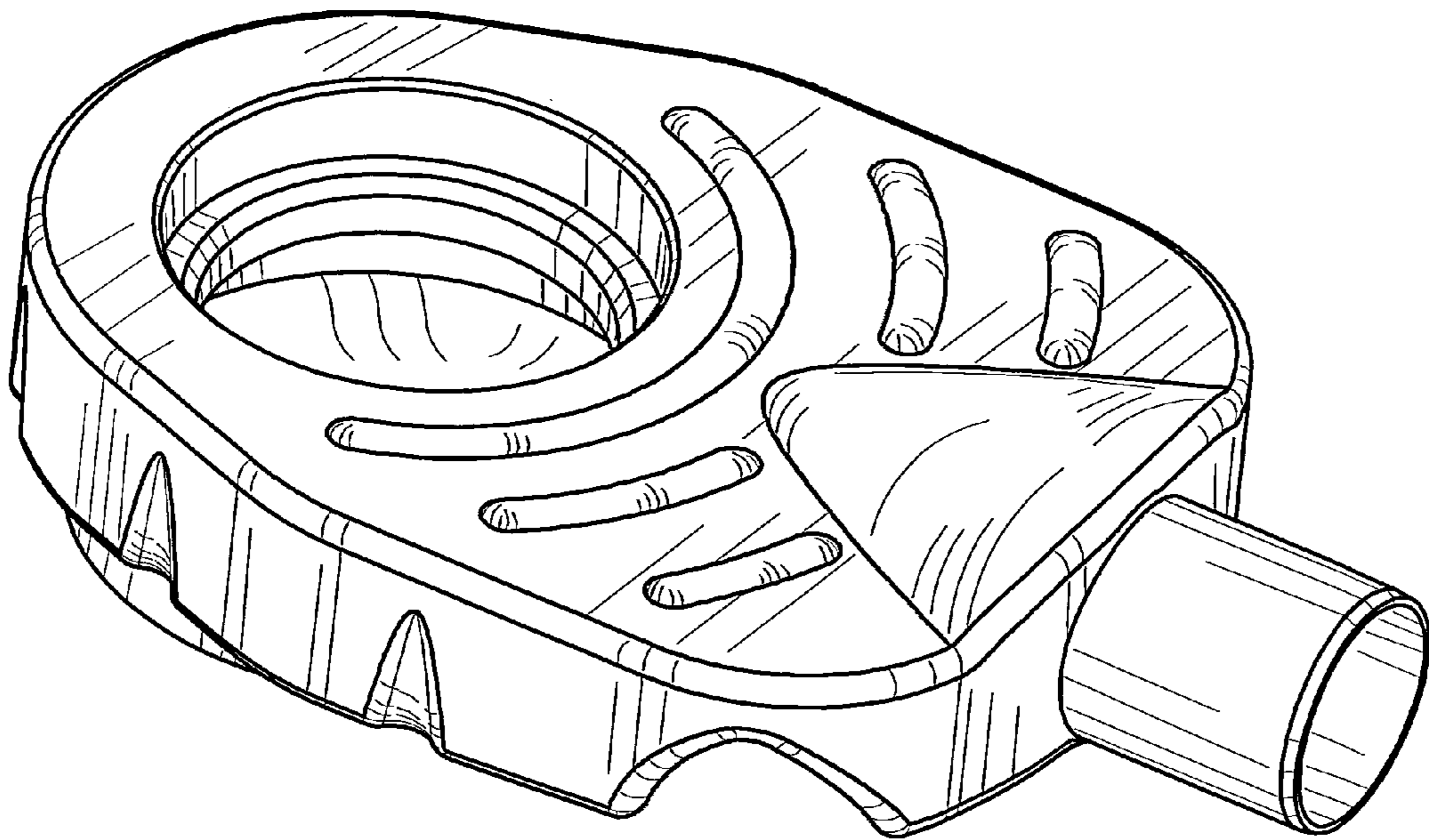


Fig.1

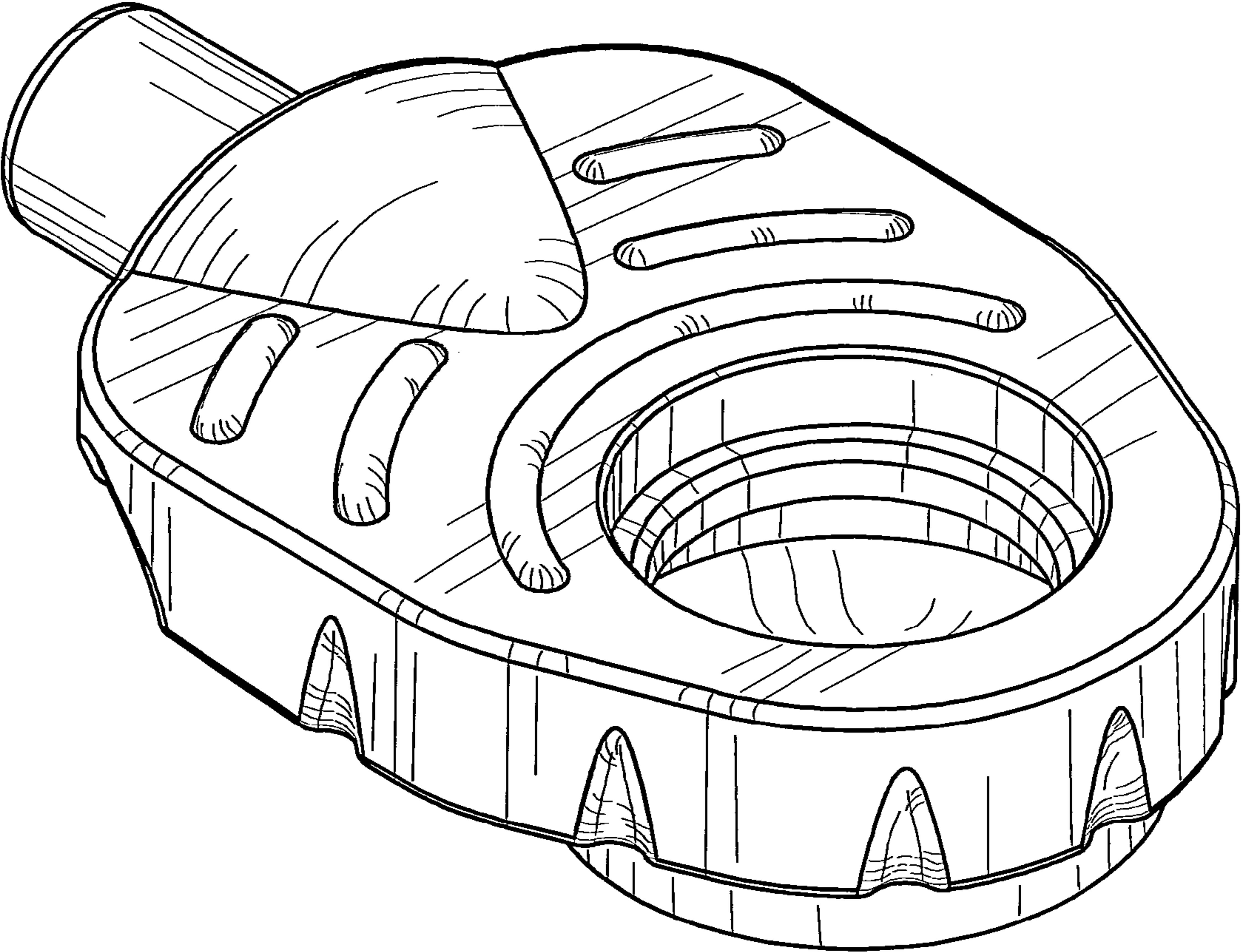


Fig.2

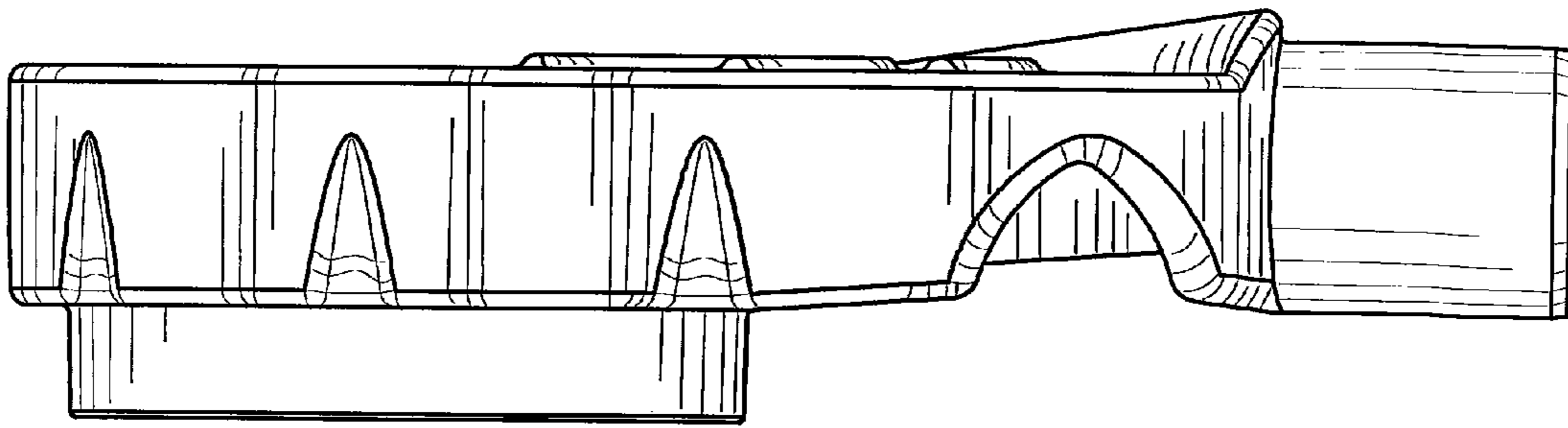


Fig.3

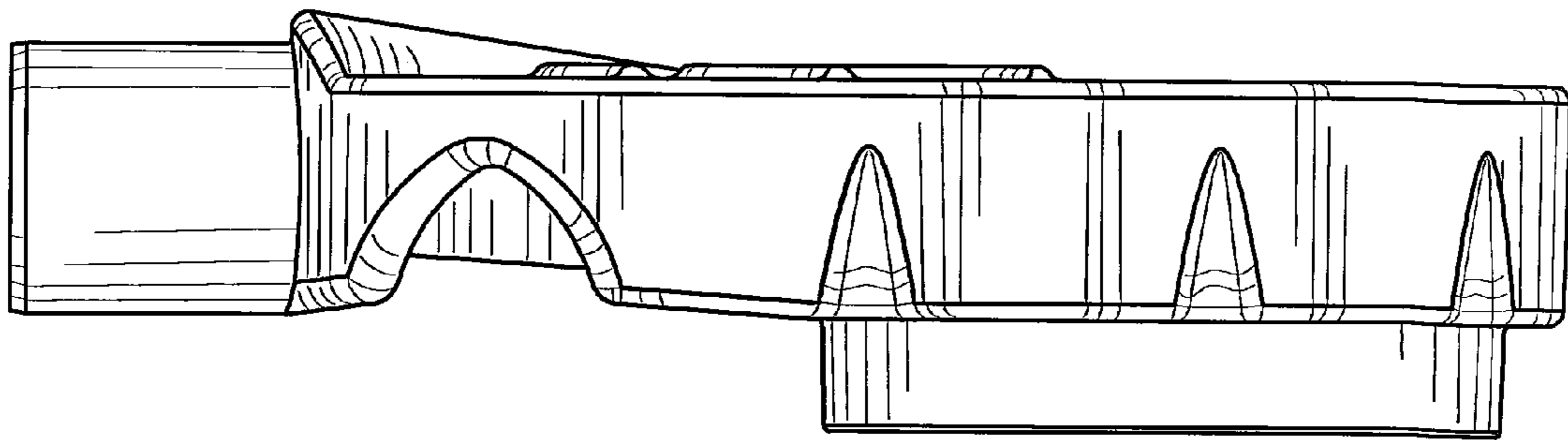


Fig.4

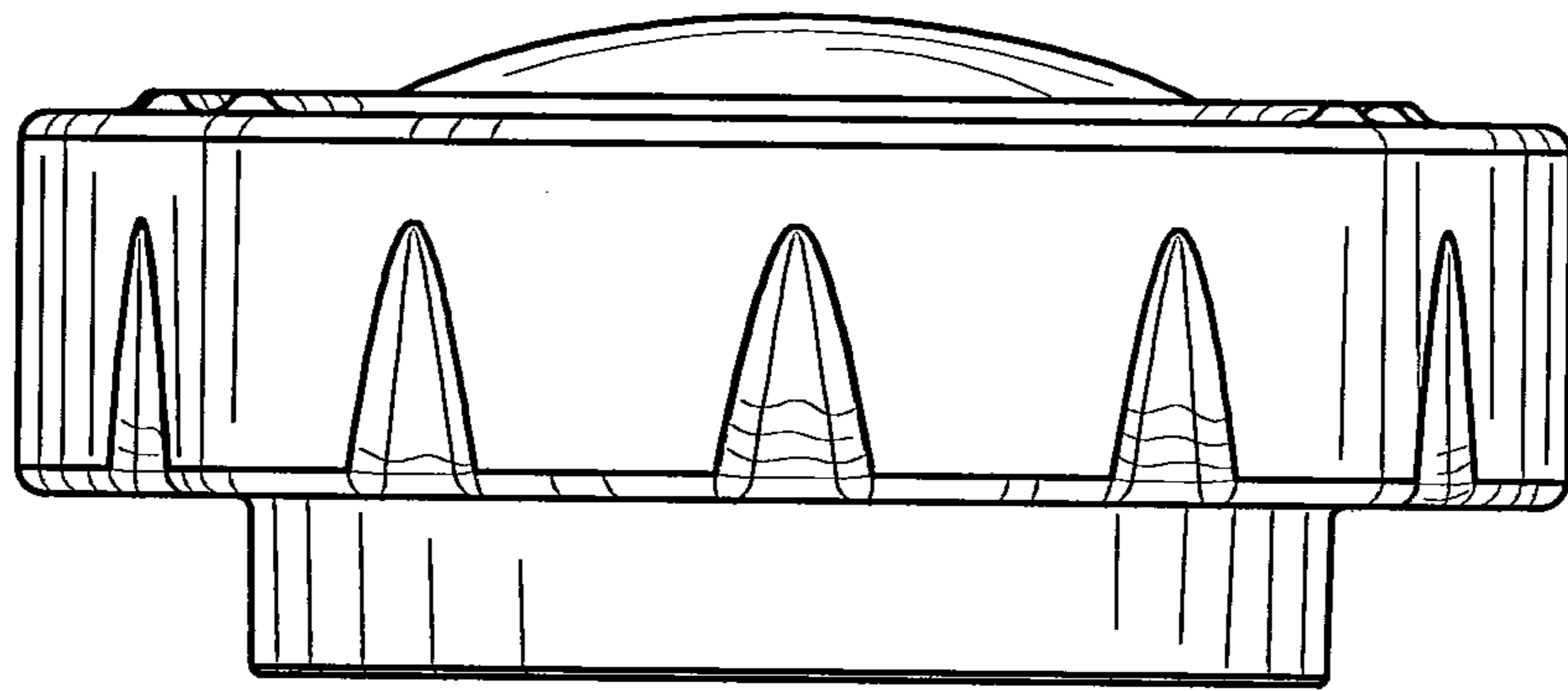


Fig.5

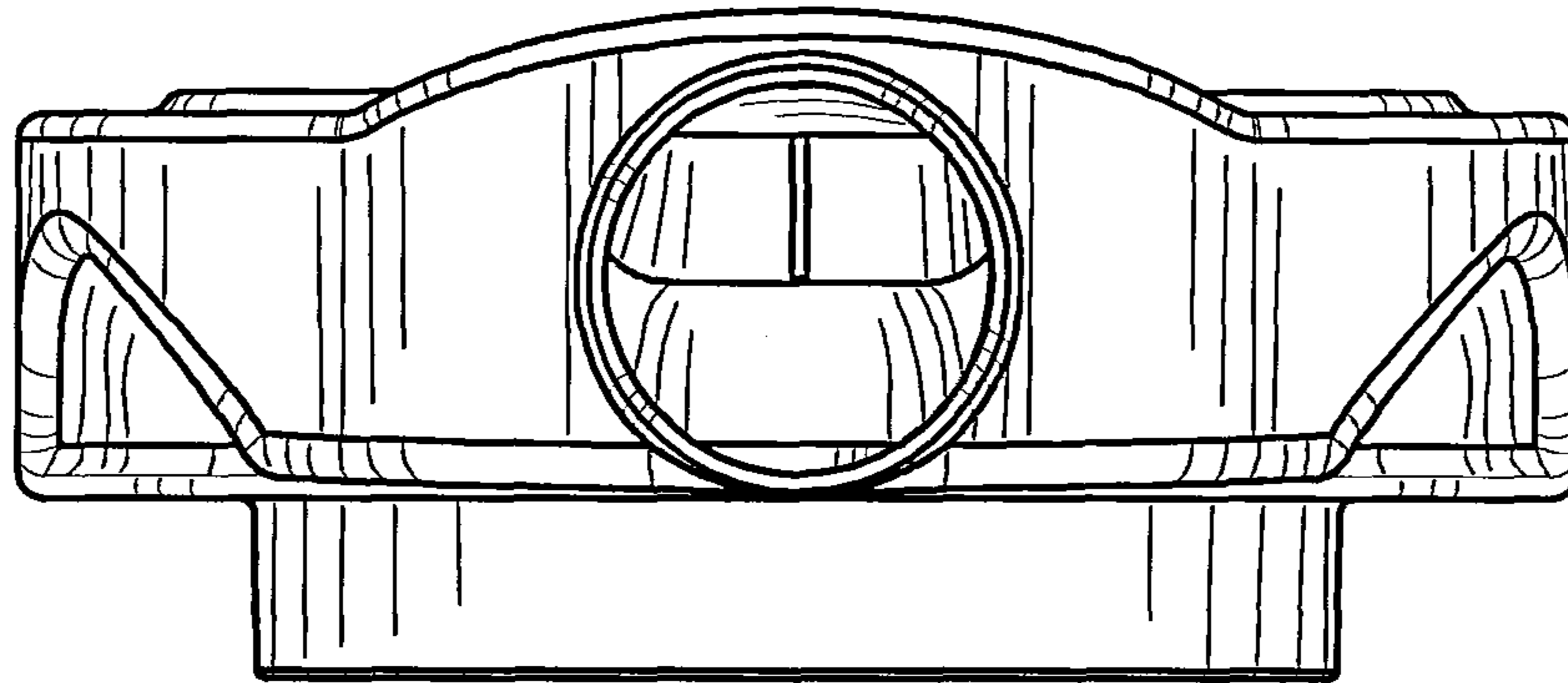


Fig.6

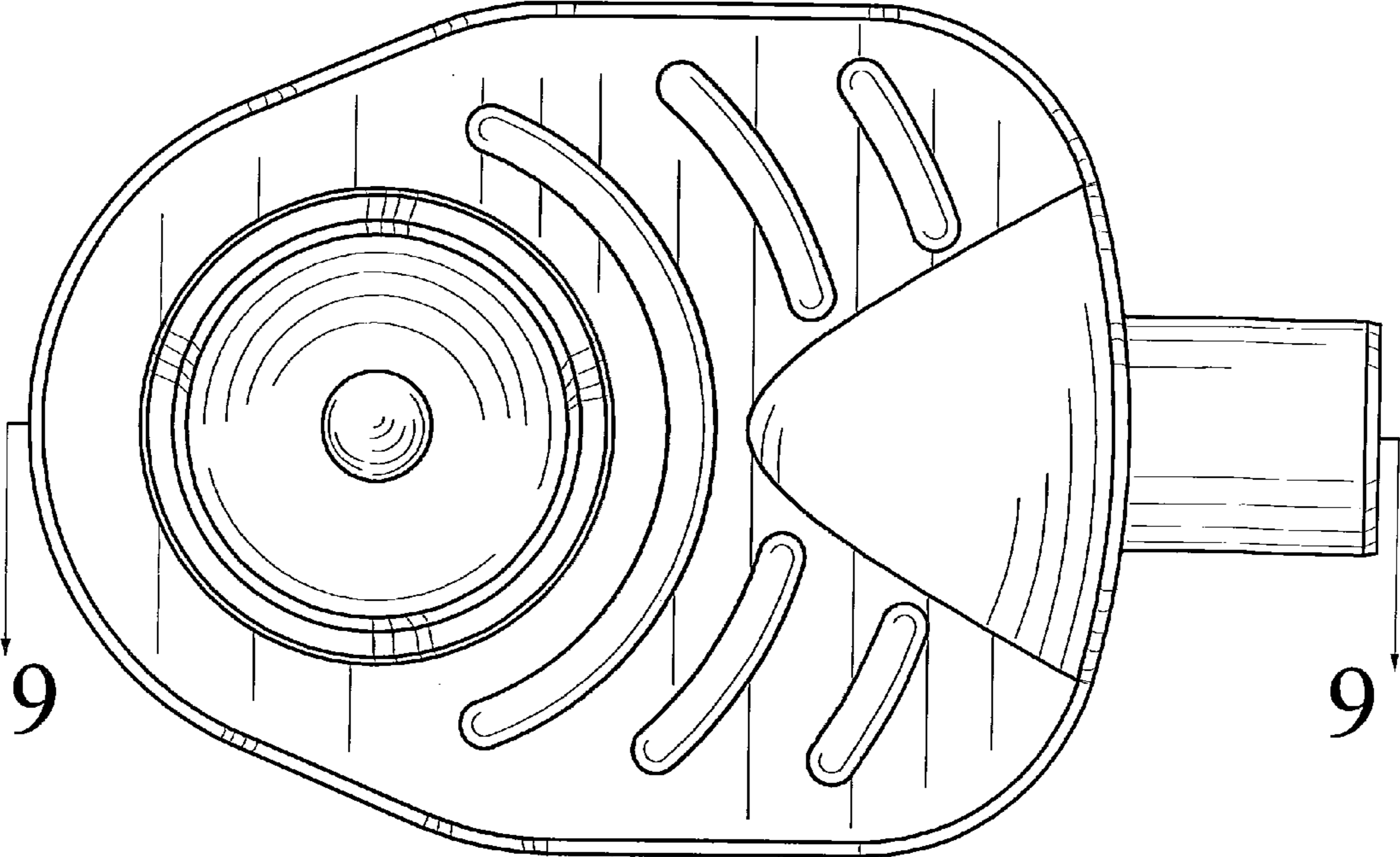


Fig.7

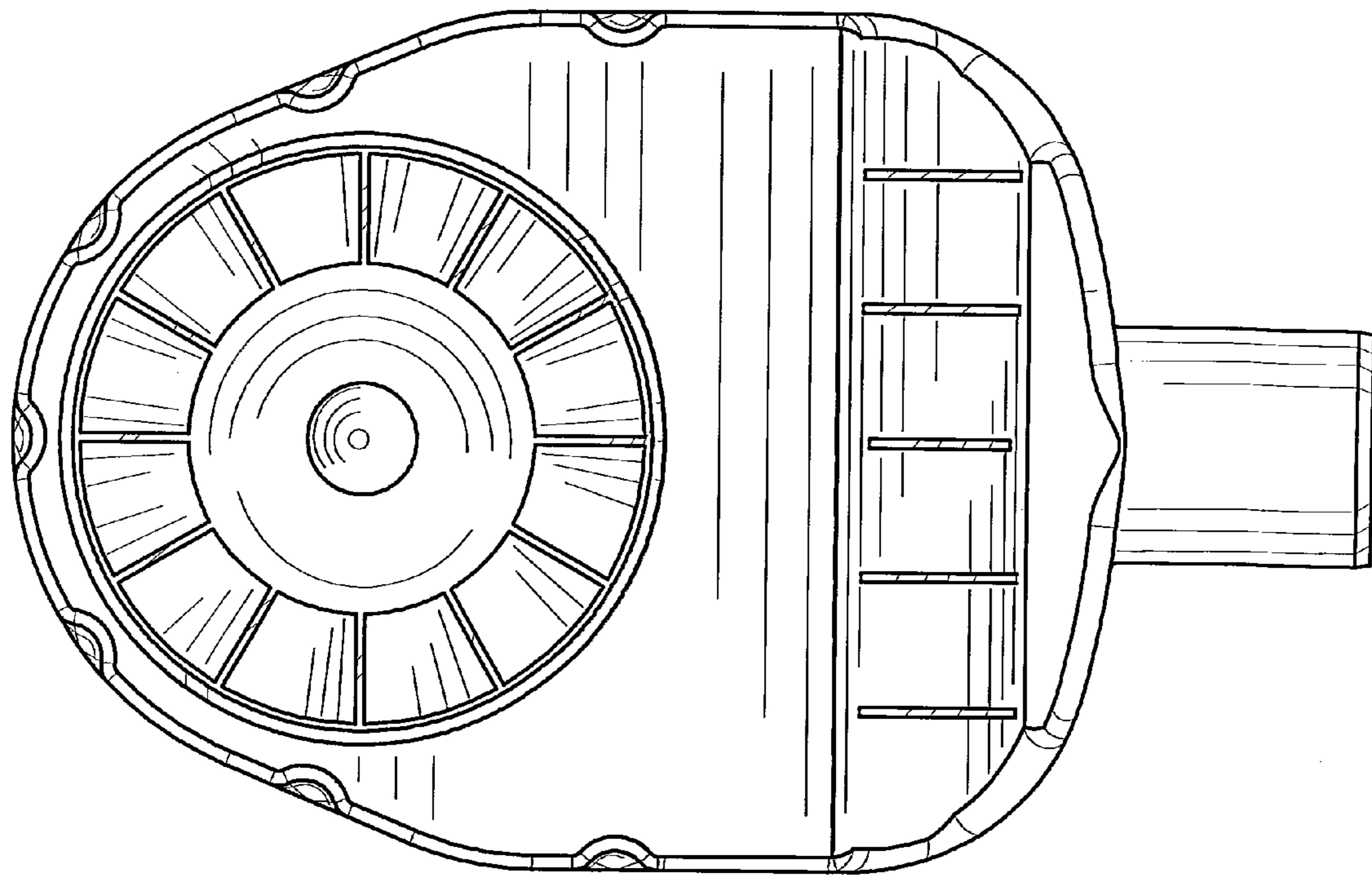


Fig.8

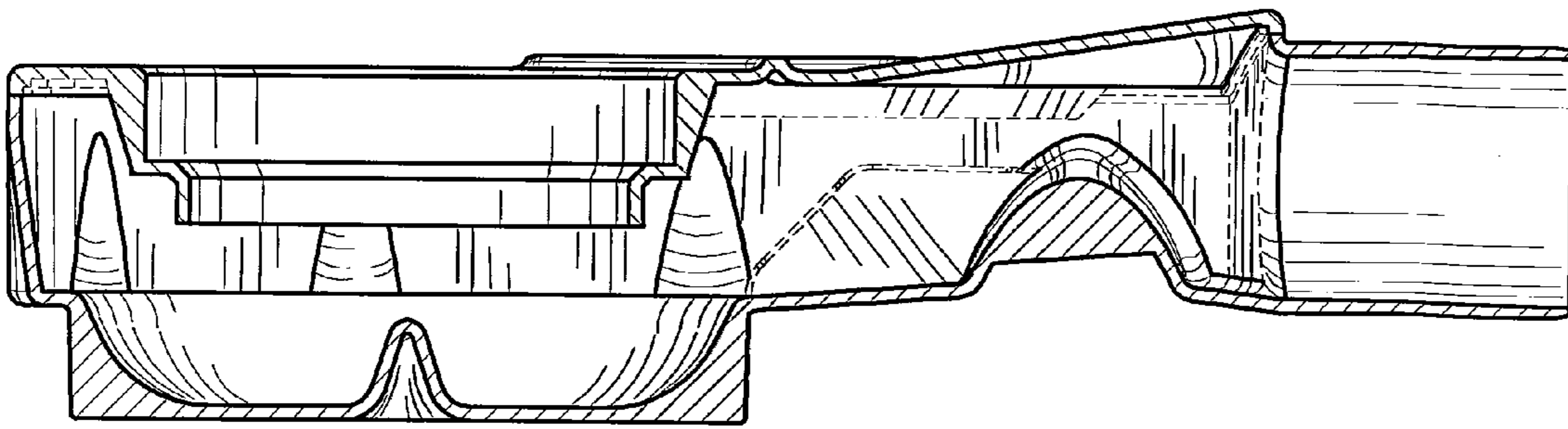


Fig.9