



US00D744069S

(12) **United States Design Patent**
Turner

(10) **Patent No.:** **US D744,069 S**

(45) **Date of Patent:** **** Nov. 24, 2015**

(54) **ETCHING FIXTURE CAP**

FOREIGN PATENT DOCUMENTS

(71) Applicant: **Stingray Group, LLC**, Layton, UT (US)

JP 2004028787 6/2002

(72) Inventor: **Allen Turner**, Layton, UT (US)

JP 2012132826 12/2010

JP 2014041030 8/2012

(73) Assignee: **STINGRAY GROUP LLC**, Layton, UT (US)

Primary Examiner — Susan Bennett Hattan

Assistant Examiner — Brett Miller

(**) Term: **14 Years**

(74) *Attorney, Agent, or Firm* — Pate Peterson PLLC; Brett Peterson

(21) Appl. No.: **29/466,260**

(57) **CLAIM**

I claim the ornamental design for the etching fixture cap, as shown and described.

(22) Filed: **Sep. 5, 2013**

(51) **LOC (10) Cl.** **23-01**

(52) **U.S. Cl.**
USPC **D23/260**

DESCRIPTION

(58) **Field of Classification Search**
USPC D15/139–141; 222/546; D23/259–262; D9/454
CPC .. C04B 41/009; C04B 41/5353; C04B 41/91; C04B 35/52; B22F 2005/001; C22C 26/00; C23F 1/00; C23F 1/08; E21B 10/46
See application file for complete search history.

FIG. 1 is a side view of the etching fixture cap mounted to an etching fixture.
FIG. 2 is a perspective view of the etching fixture cap mounted to an etching fixture.
FIG. 3 is a perspective view of the etching fixture cap.
FIG. 4 is a front side view of the etching fixture cap.
FIG. 5 is a back side view of the etching fixture cap.
FIG. 6 is a top view of the etching fixture cap.
FIG. 7 is a bottom view of the etching fixture cap.
FIG. 8 is a left side view of the etching fixture cap.
FIG. 9 is a right side view of the etching fixture cap; and, FIG. 10 is a cross-sectional view from line 10-10 in FIG. 6 of the etching fixture cap.

(56) **References Cited**

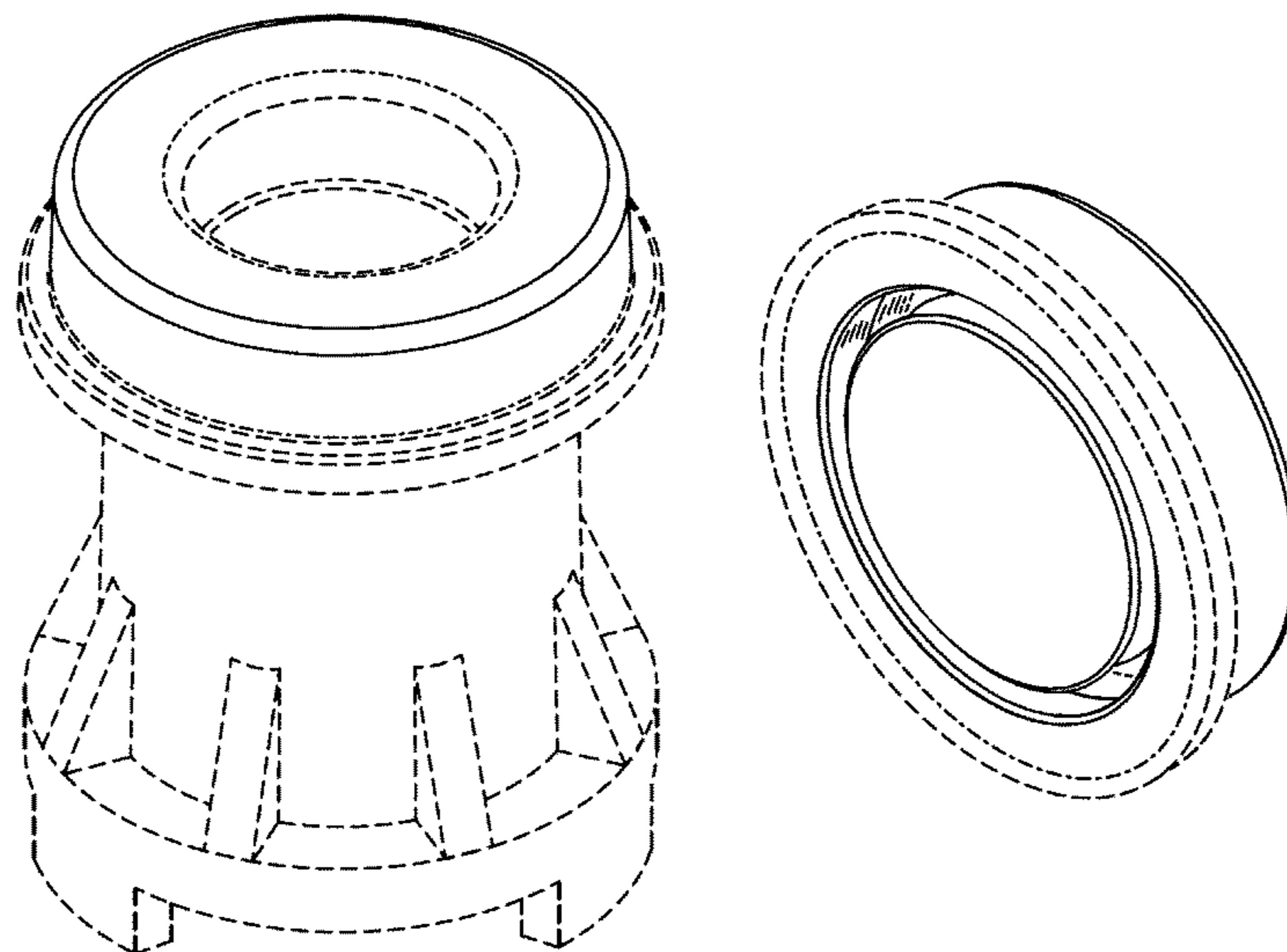
U.S. PATENT DOCUMENTS

1,411,868	A	4/1922	Myers	
1,692,710	A *	11/1928	Spahn	220/288
1,935,100	A *	11/1933	Paull et al.	222/546
2,127,268	A *	8/1938	Palmer	222/546
2,727,651	A *	12/1955	Mickelson	220/792
3,136,323	A	6/1964	Martz et al.	
3,986,610	A	10/1976	Hawn	
4,084,080	A	4/1978	McMahan	
4,139,005	A *	2/1979	Dickey	138/89
4,475,665	A	10/1984	Norton	
4,475,977	A	10/1984	Dunn	

(Continued)

The broken line showing of the etching fixture in the drawings is included for the purpose of illustrating environmental structure and forms no part of the claimed design. The broken line portions of the etching fixture cap are not claimed as part of the claimed design. The dot-dash lines define the boundary of the claim and the claimed subject matter extends to the boundary but does not include the boundary.

1 Claim, 10 Drawing Sheets



(56)

References Cited

U.S. PATENT DOCUMENTS

D392,985 S *	3/1998	Williams	D15/140	D678,481 S *	3/2013	Branco	D23/260
D519,135 S *	4/2006	Conway et al.	D15/139	D681,462 S *	5/2013	Taylor	D9/454
D560,119 S *	1/2008	Bloc	D9/454	D693,390 S *	11/2013	Wachsmann et al.	D15/140
D571,199 S *	6/2008	Petrosino	D9/454	D711,442 S *	8/2014	Brassel et al.	D15/140
D575,610 S *	8/2008	Holl et al.	D8/71	D717,651 S *	11/2014	Marina	D9/454
7,558,369 B1	7/2009	Mourik et al.			D724,196 S	3/2015	Turner		
7,616,734 B1	11/2009	Corbett et al.			2007/0169419 A1	7/2007	Davis et al.		
7,649,173 B2	1/2010	Hu et al.			2007/0284152 A1	12/2007	Eyre et al.		
7,801,268 B1	9/2010	Mourik et al.			2010/0011673 A1	1/2010	Shamburger		
7,864,919 B1	1/2011	Eyre et al.			2010/0012391 A1	1/2010	Shamburger		
8,014,492 B1	9/2011	Corbett et al.			2011/0056141 A1	3/2011	Miess et al.		
8,130,903 B2	3/2012	Corbett et al.			2011/0233169 A1*	9/2011	Mayfield et al.	216/37
8,147,572 B2	4/2012	Eyre et al.			2011/0250498 A1	10/2011	Green et al.		
D669,968 S *	10/2012	Morishita	D23/259	2012/0048468 A1	3/2012	Turner		
					2014/0115971 A1	5/2014	Sani et al.		
					2015/0059977 A1	3/2015	Turner		
					2015/0101753 A1	4/2015	Turner		

* cited by examiner

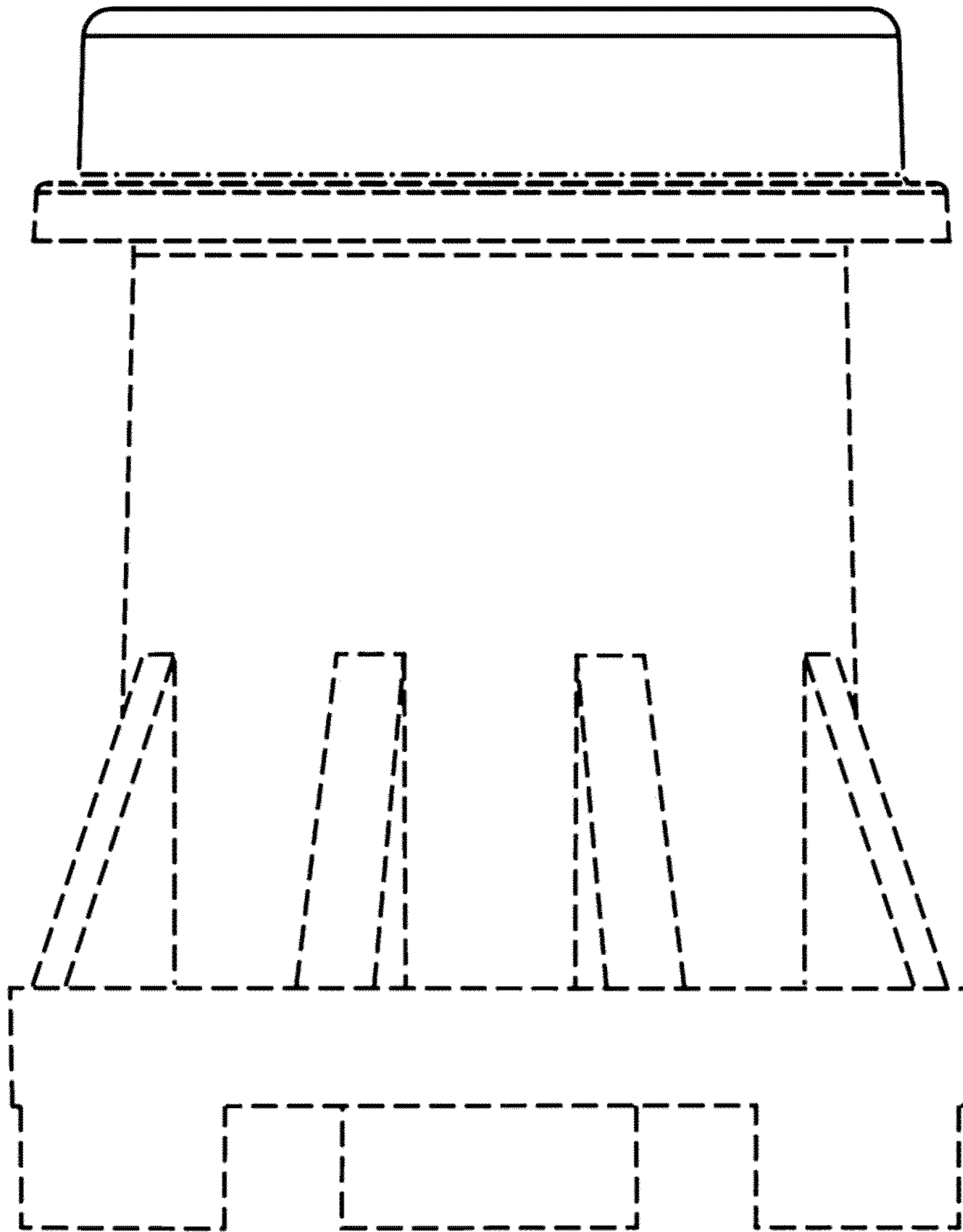


FIG. 1

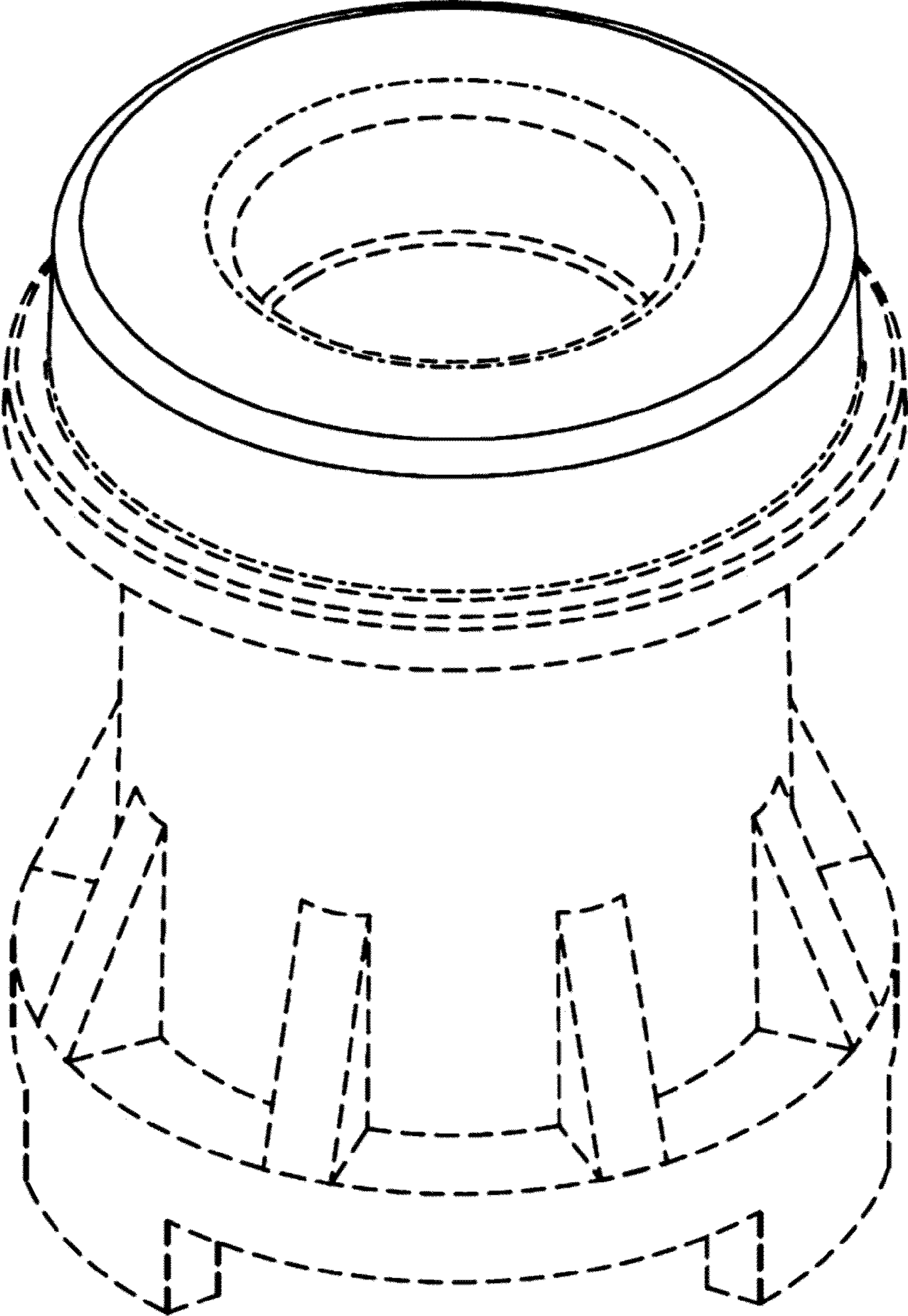


FIG. 2

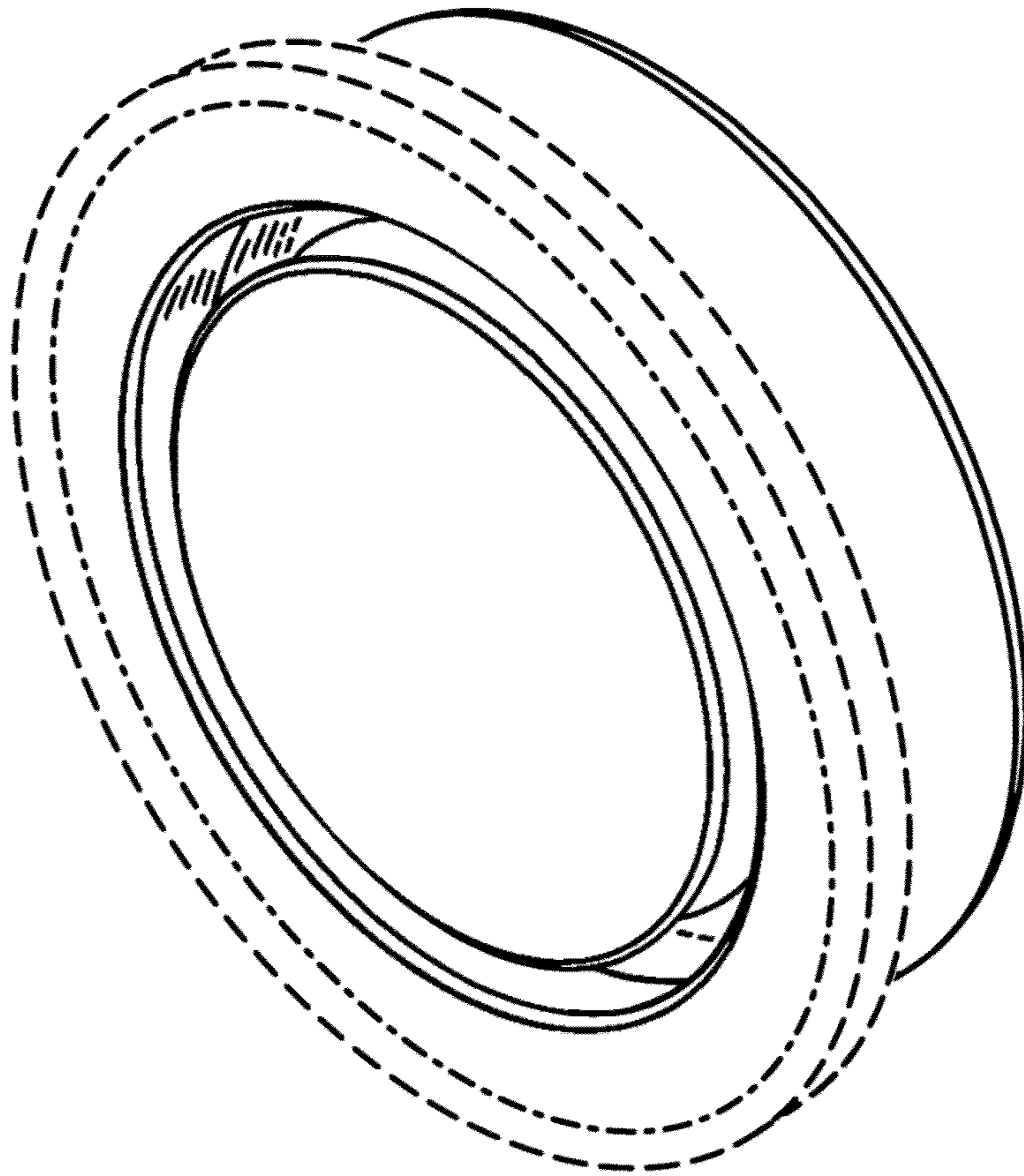


FIG. 3

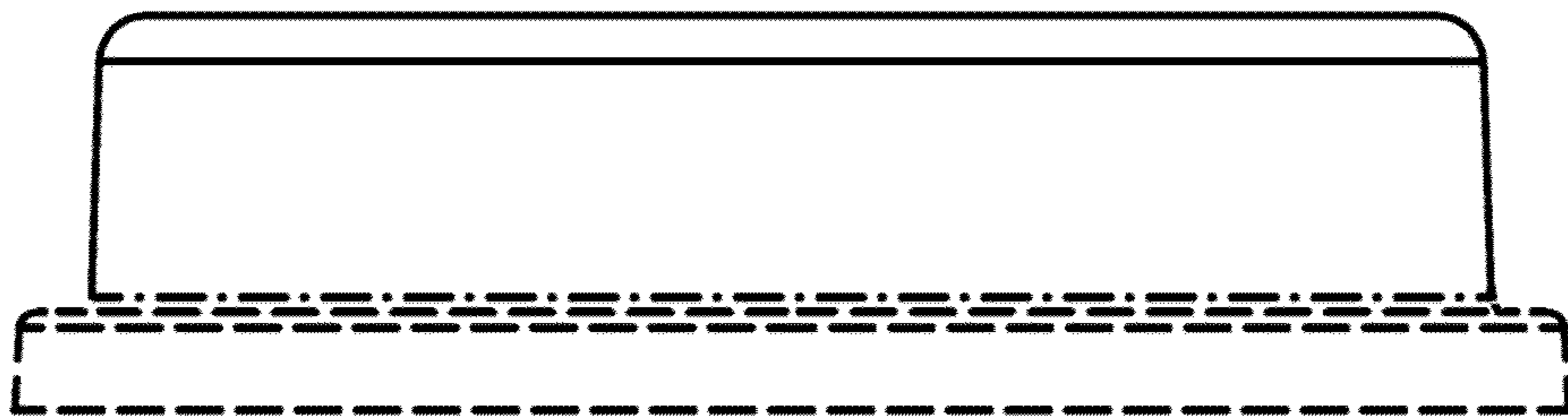


FIG. 4

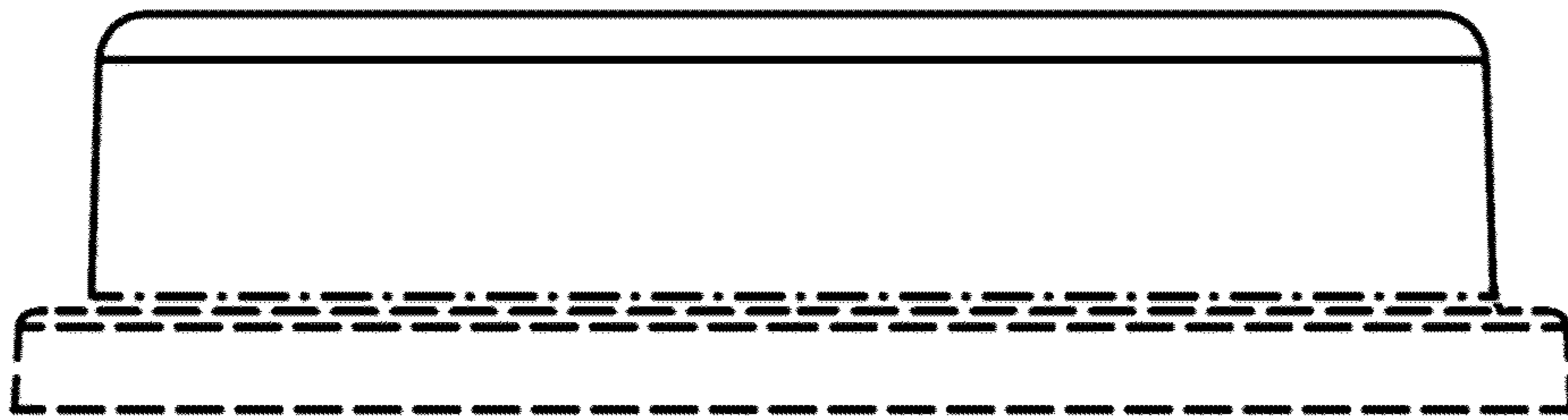


FIG. 5

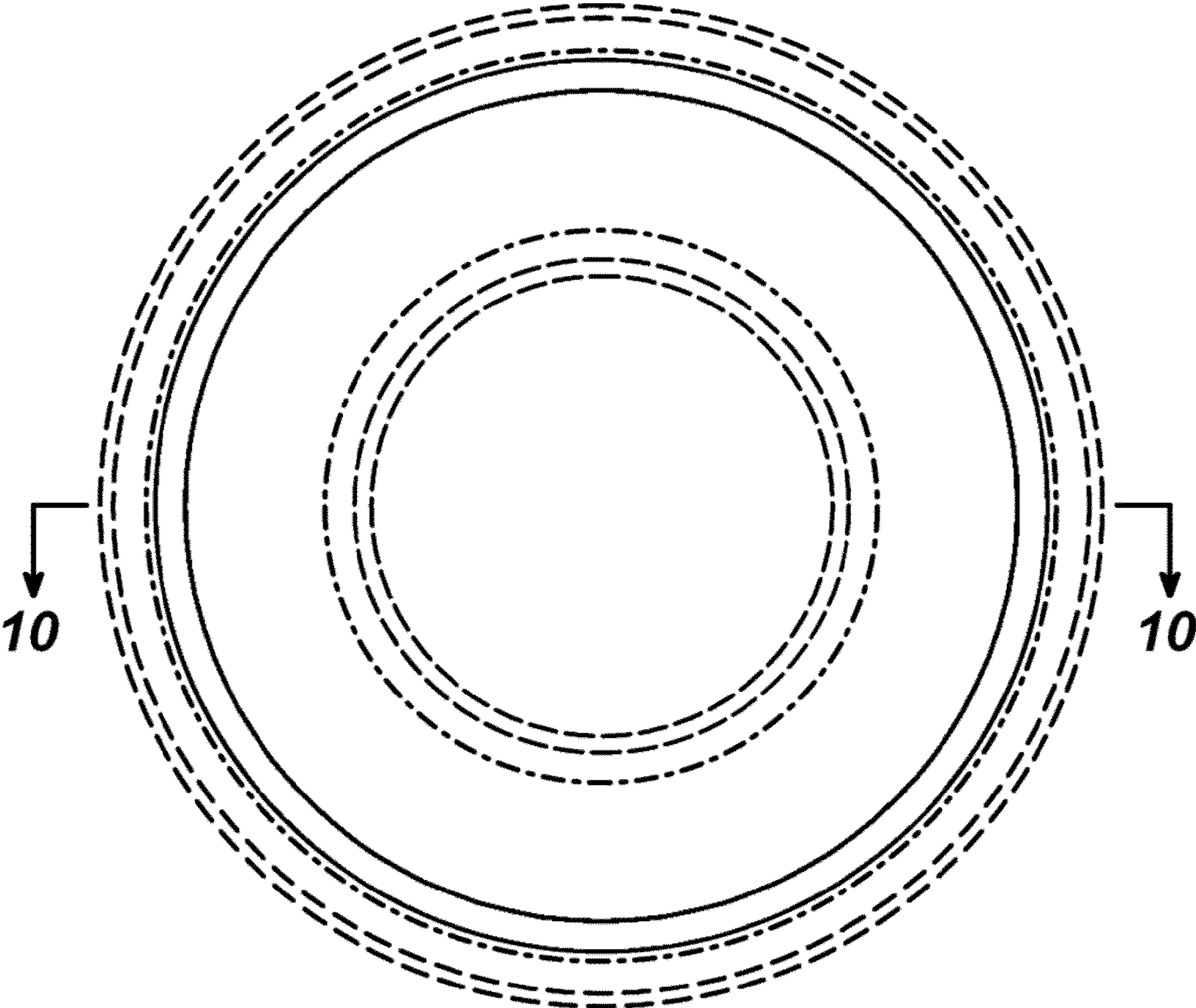


FIG. 6

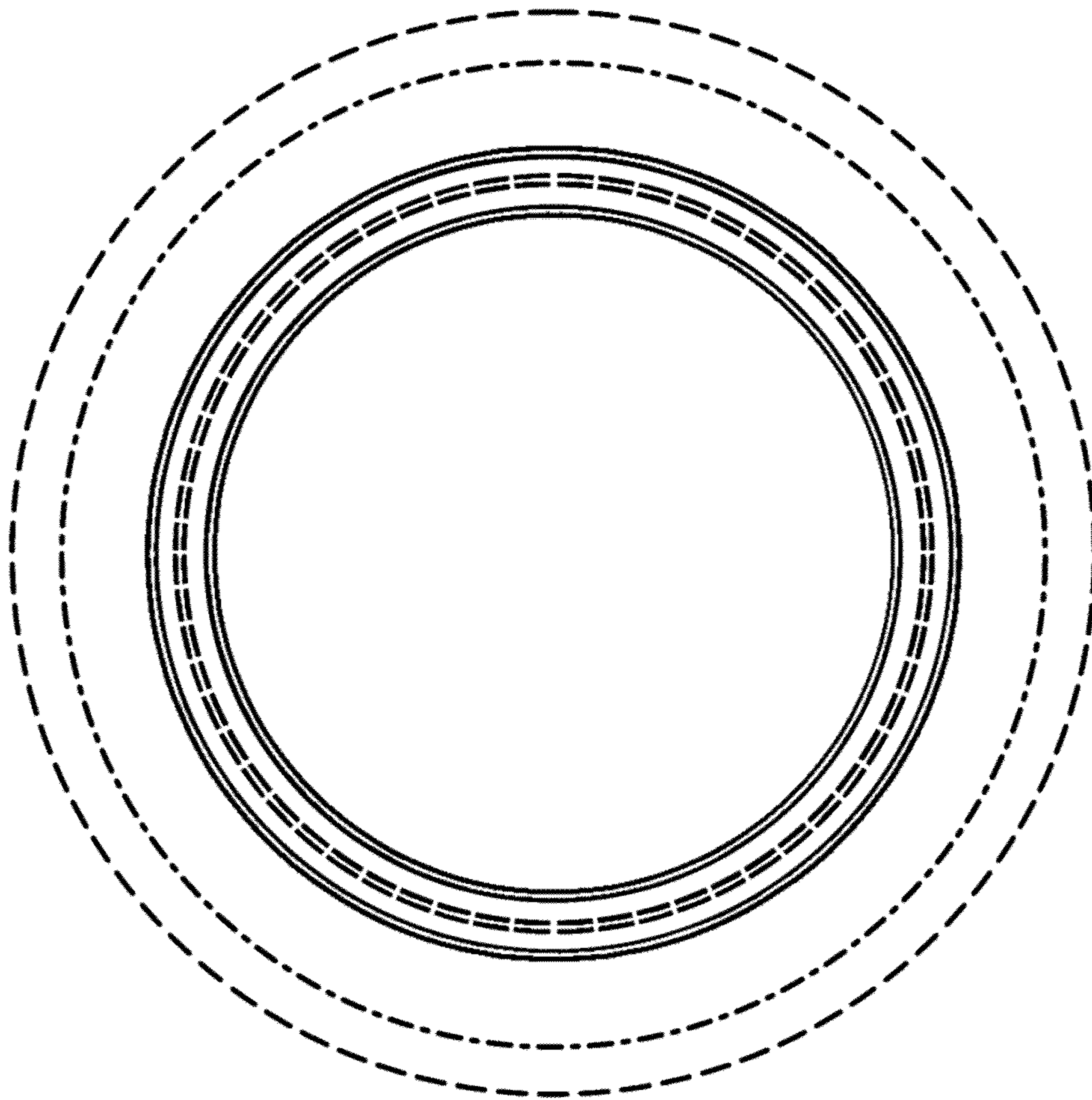


FIG. 7

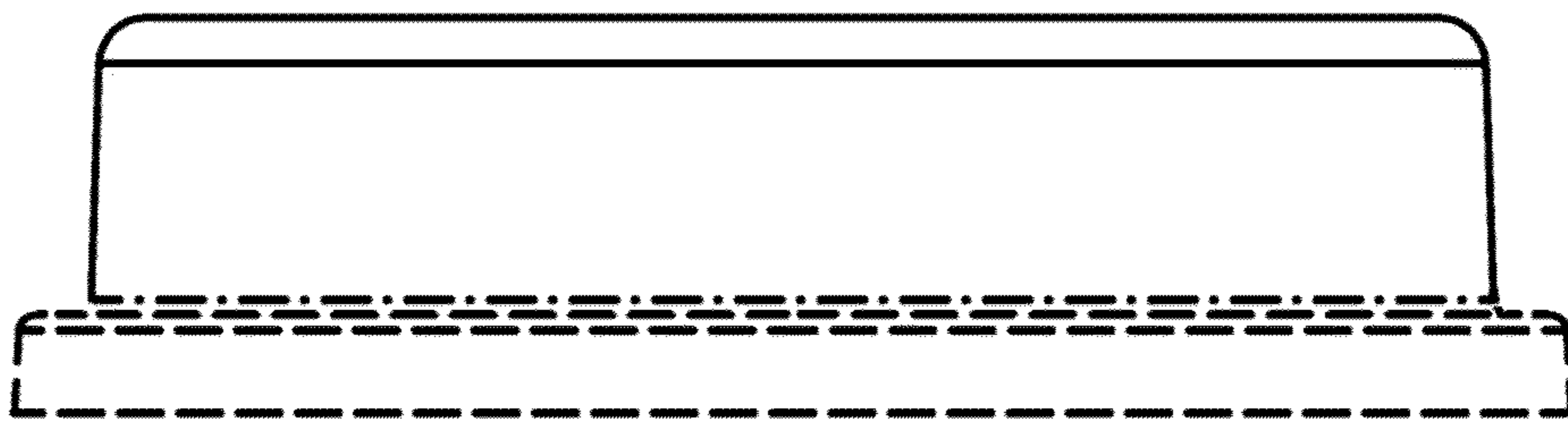


FIG. 8

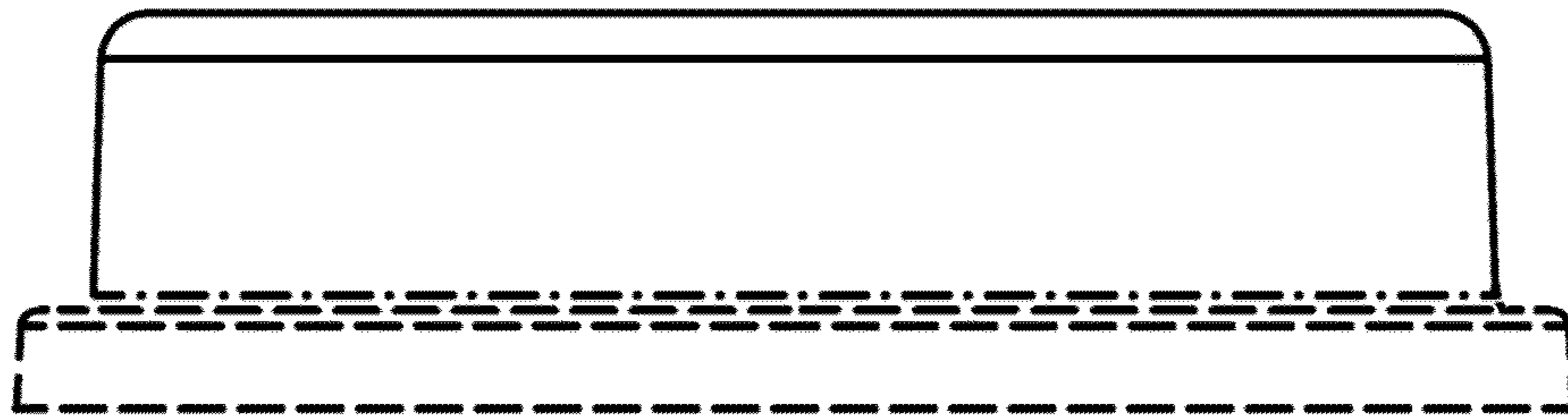


FIG. 9



FIG. 10