



US00D744068S

(12) **United States Design Patent**
Turner

(10) **Patent No.:** **US D744,068 S**

(45) **Date of Patent:** **** Nov. 24, 2015**

(54) **ETCHING FIXTURE CAP**

(71) Applicant: **Stingray Group, LLC**, Layton, UT (US)

(72) Inventor: **Allen Turner**, Layton, UT (US)

(73) Assignee: **STINGRAY GROUP LLC**, Layton, UT (US)

(**) Term: **14 Years**

(21) Appl. No.: **29/466,258**

(22) Filed: **Sep. 5, 2013**

(51) **LOC (10) Cl.** **23-01**

(52) **U.S. Cl.**

USPC **D23/260**

(58) **Field of Classification Search**

USPC D15/139-141, 138; 222/546;
D23/259-262

CPC .. C04B 41/009; C04B 41/5353; C04B 41/91;
C04B 35/52; B22F 2005/001; C22C 26/00;
C23F 1/00; C23F 1/08; E21B 10/46

See application file for complete search history.

(56) **References Cited**

U.S. PATENT DOCUMENTS

1,411,868	A	4/1922	Myers	
1,692,710	A *	11/1928	Spahn	220/288
1,935,100	A *	11/1933	Paull et al.	222/546
2,127,268	A *	8/1938	Palmer	222/546
2,727,651	A *	12/1955	Mickelson	220/792
3,163,323	A	12/1964	Martz et al.	
3,986,610	A	10/1976	Hawn	
4,084,080	A	4/1978	McMahan	
4,139,005	A *	2/1979	Dickey	138/89
4,475,665	A	10/1984	Norton	
4,475,977	A	10/1984	Dunn	

D392,985	S *	3/1998	Williams	D15/140
D519,135	S *	4/2006	Conway et al.	D15/139
D575,610	S *	8/2008	Holl et al.	D8/71
7,558,369	B1	7/2009	Mourik et al.	

(Continued)

FOREIGN PATENT DOCUMENTS

JP	2004028787	6/2002
JP	2012132826	12/2010
JP	2014041030	8/2012

Primary Examiner — Susan Bennett Hattan

Assistant Examiner — Brett Miller

(74) *Attorney, Agent, or Firm* — Pate Peterson PLLC; Brett Peterson

(57) **CLAIM**

I claim the ornamental design for the etching fixture cap, as shown and described.

DESCRIPTION

FIG. 1 is a side view of the etching fixture cap mounted to an etching fixture.

FIG. 2 is a perspective view of the etching fixture cap mounted to an etching fixture.

FIG. 3 is a perspective view of the etching fixture cap.

FIG. 4 is a front side view of the etching fixture cap.

FIG. 5 is a back side view of the etching fixture cap.

FIG. 6 is a top view of the etching fixture cap.

FIG. 7 is a bottom view of the etching fixture cap.

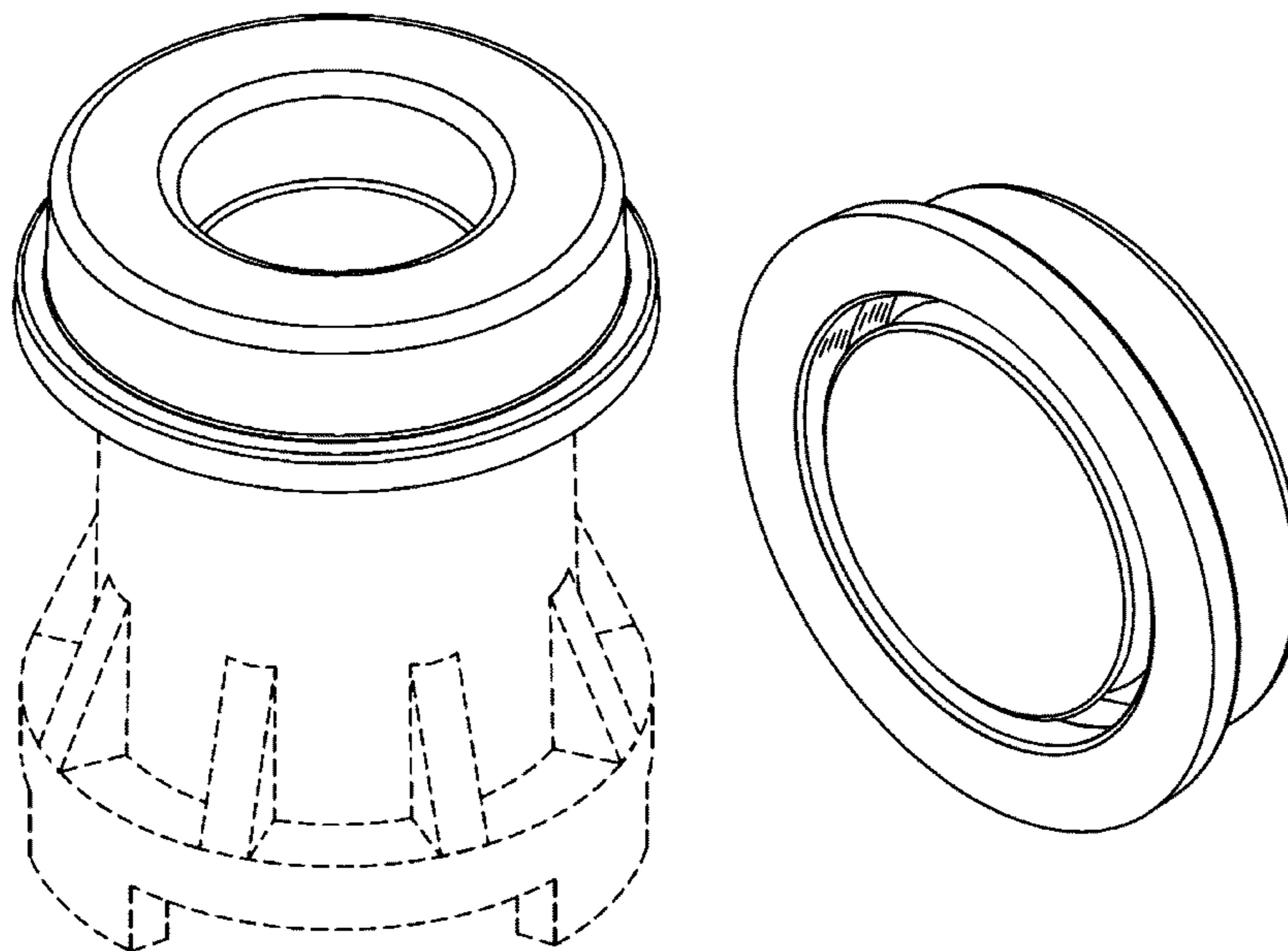
FIG. 8 is a left side view of the etching fixture cap.

FIG. 9 is a right side view of the etching fixture cap; and,

FIG. 10 is a cross-sectional view from line 10-10 in FIG. 6 of the etching fixture cap.

The broken line showing of the etching fixture in the drawings is included for the purpose of illustrating environmental structure and forms no part of the claimed design.

1 Claim, 10 Drawing Sheets



(56)

References Cited

U.S. PATENT DOCUMENTS

7,616,734 B1	11/2009	Corbett et al.			
7,649,173 B2	1/2010	Hu et al.			
7,801,268 B1	9/2010	Mourik et al.			
7,864,919 B1	1/2011	Eyre et al.			
8,014,492 B1	9/2011	Corbett et al.			
8,130,903 B2	3/2012	Corbett et al.			
8,147,572 B2	4/2012	Eyre et al.			
D669,968 S *	10/2012	Morishita	D23/259		
D678,481 S *	3/2013	Branco	D23/260		
D693,390 S *	11/2013	Wachsmann et al.	D15/140		
				D711,442 S *	8/2014 Brassel et al. D15/140
				D724,196 S	3/2015 Turner
				2007/0169419 A1	7/2007 Davis et al.
				2007/0284152 A1	12/2007 Eyre et al.
				2010/0011673 A1	1/2010 Shamburger
				2010/0012391 A1	1/2010 Shamburger
				2011/0056141 A1	3/2011 Miess et al.
				2011/0233169 A1 *	9/2011 Mayfield et al. 216/37
				2011/0250498 A1	10/2011 Green et al.
				2012/0048468 A1	3/2012 Turner
				2014/0115971 A1	5/2014 Sani et al.
				2015/0059977 A1	3/2015 Turner
				2015/0101753 A1	4/2015 Turner

* cited by examiner

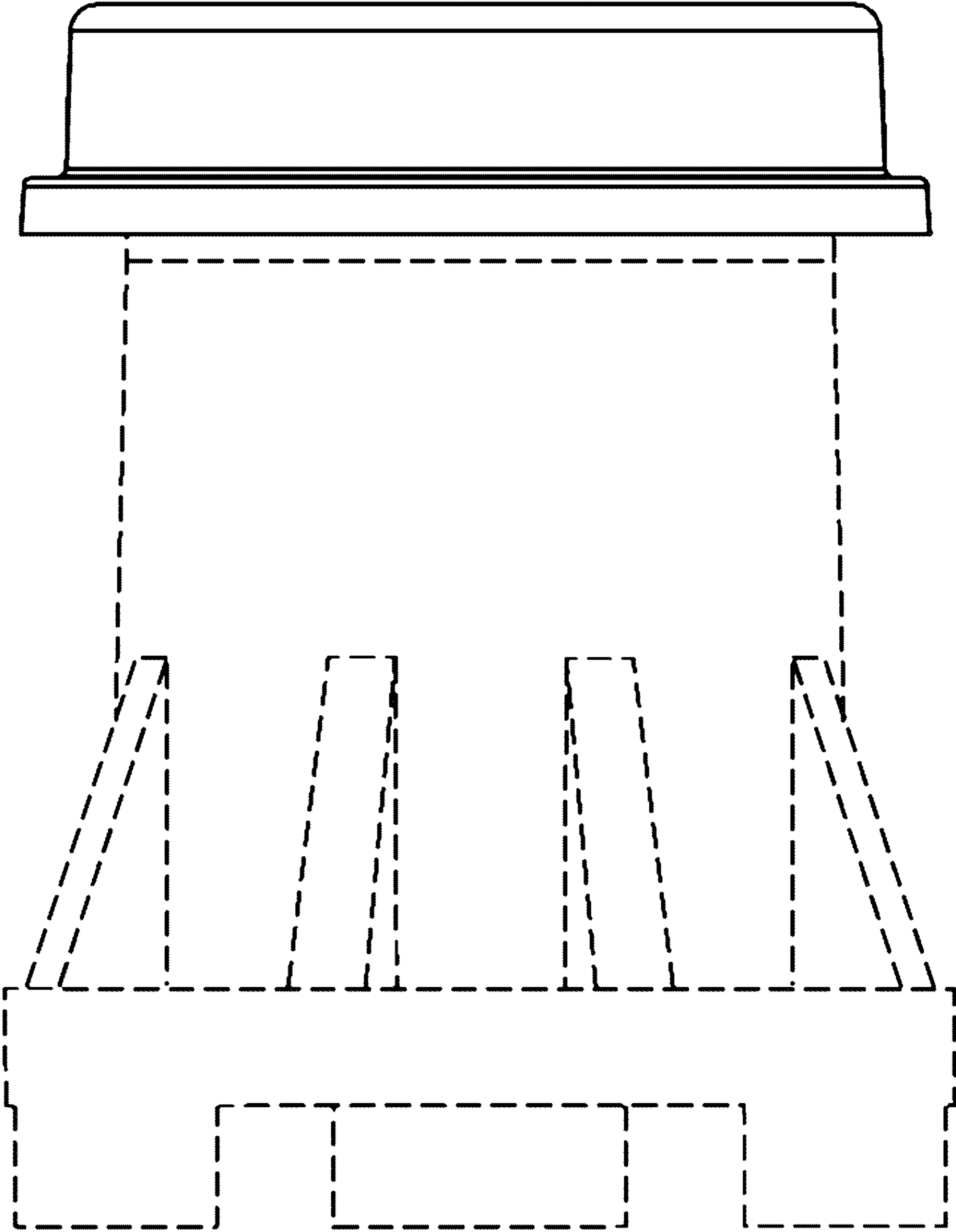


FIG. 1

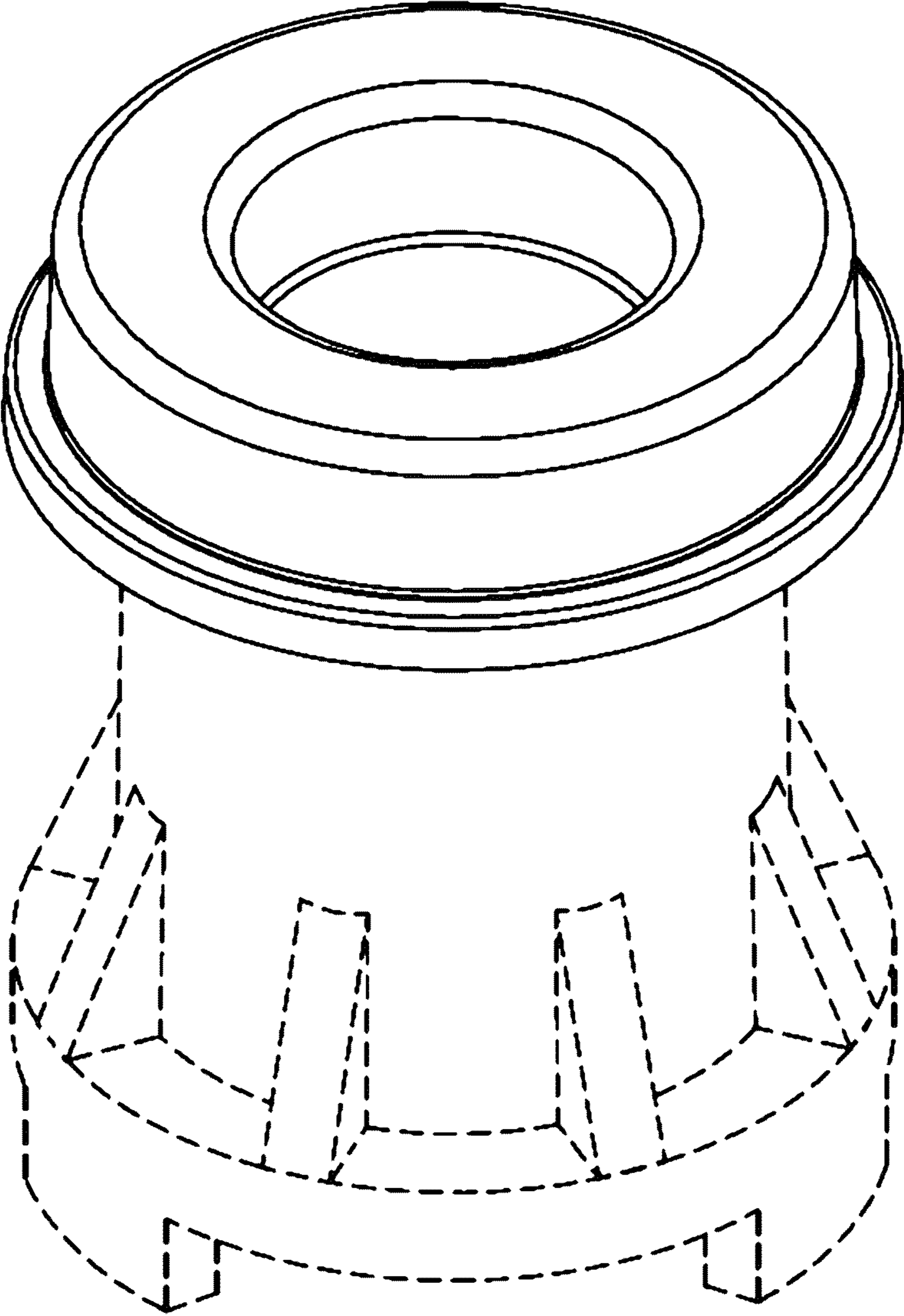


FIG. 2

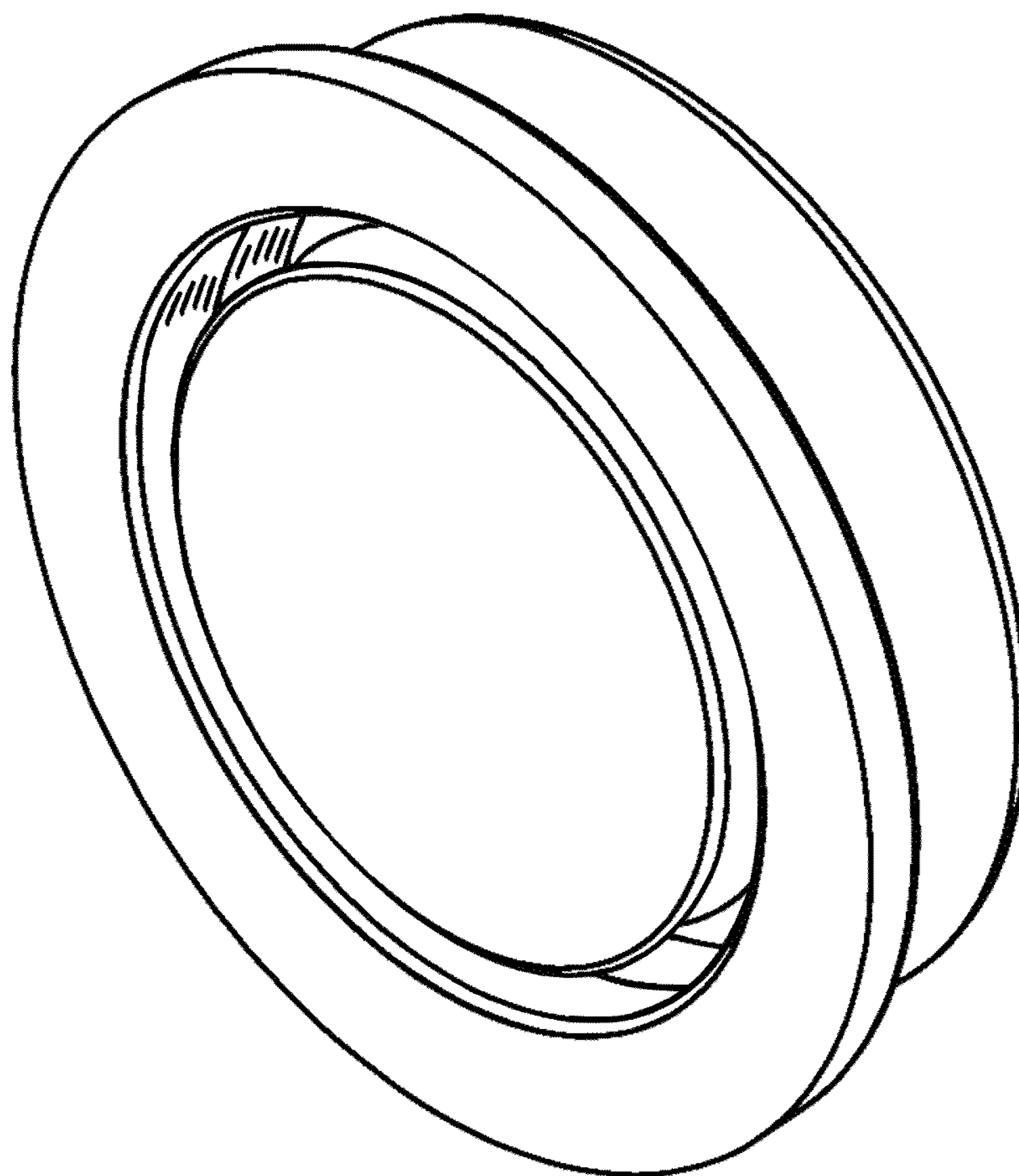


FIG. 3

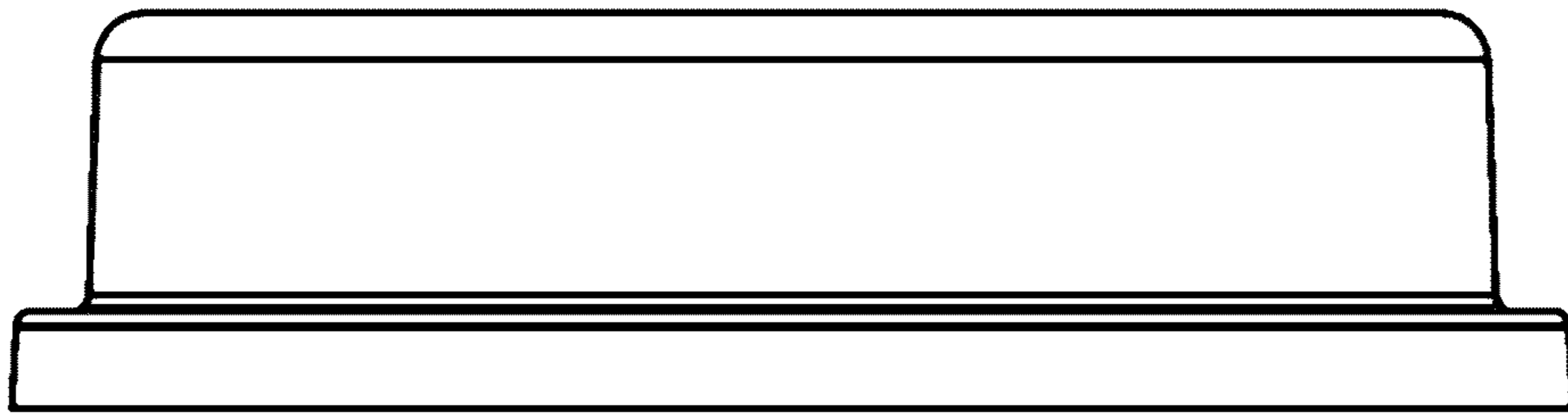


FIG. 4

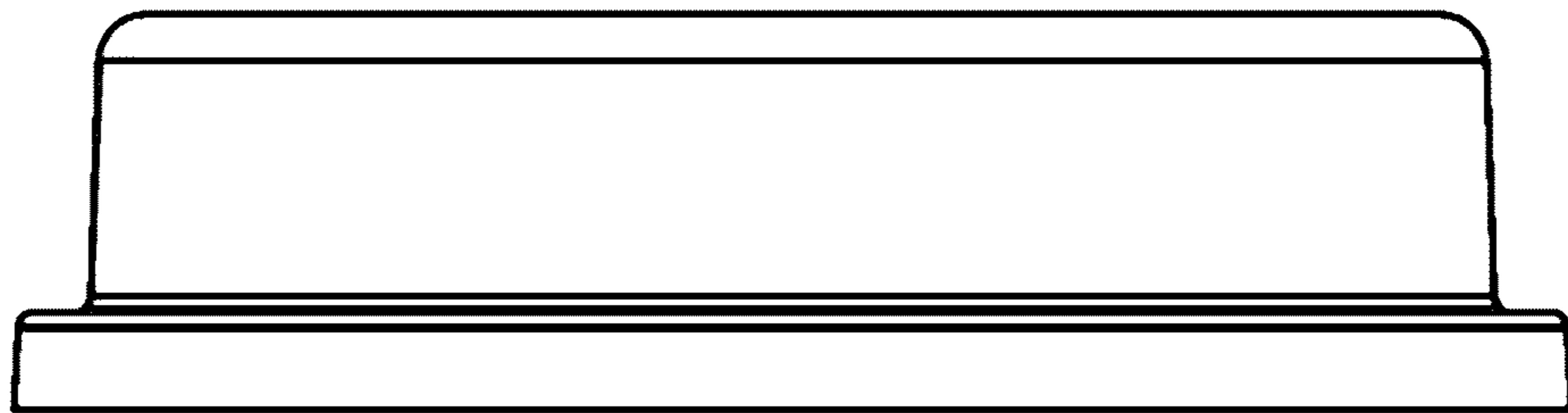


FIG. 5

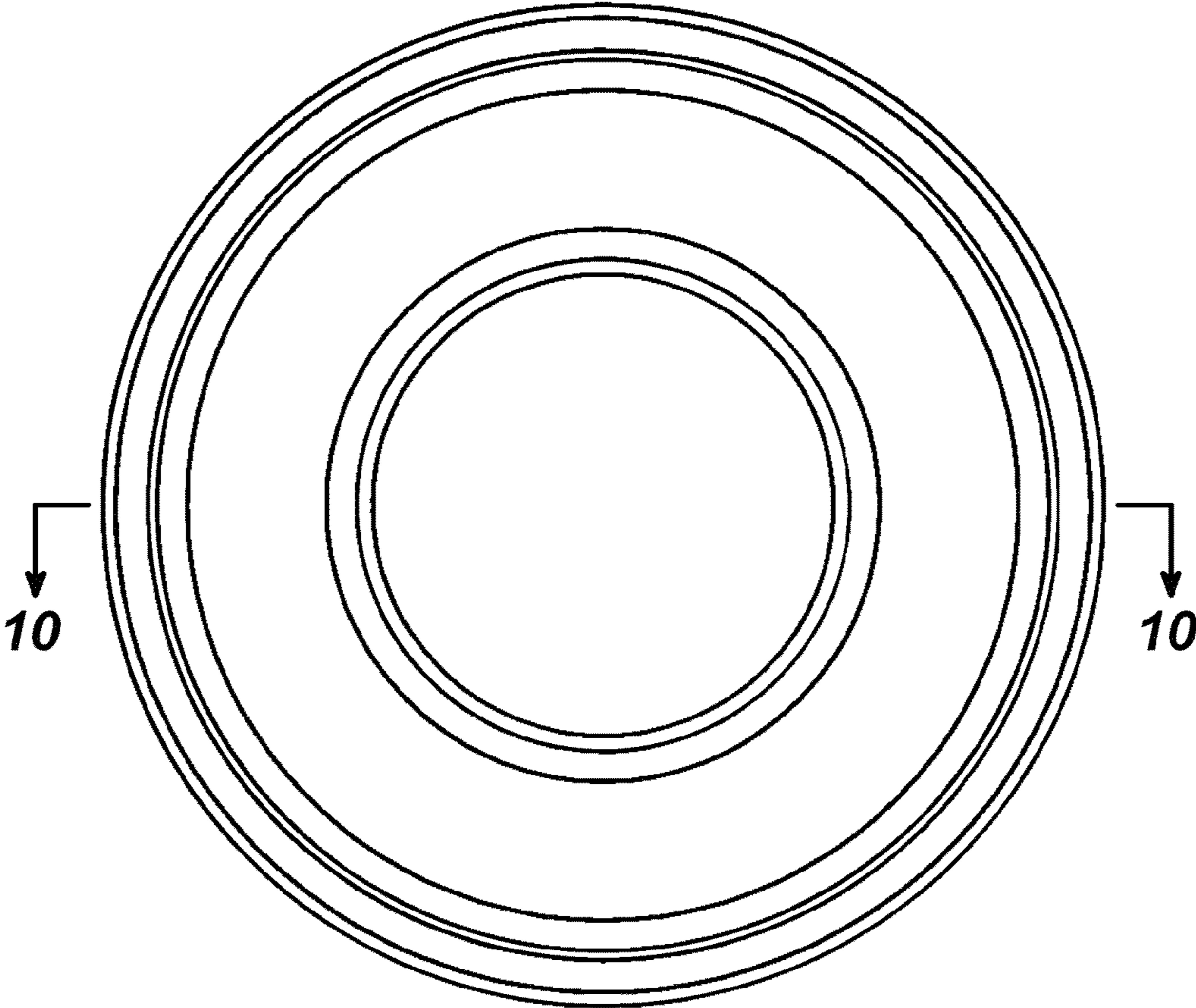


FIG. 6

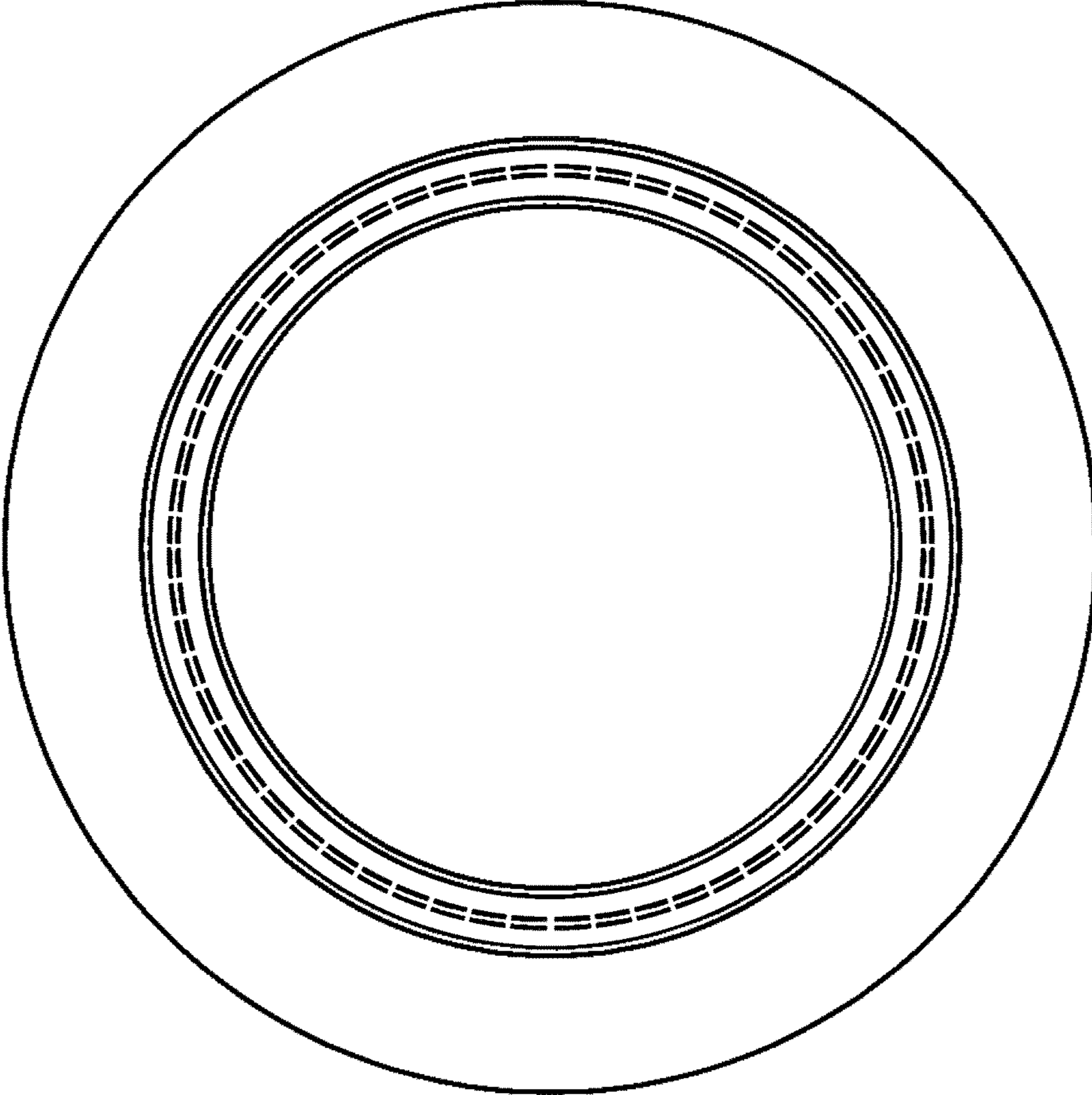


FIG. 7

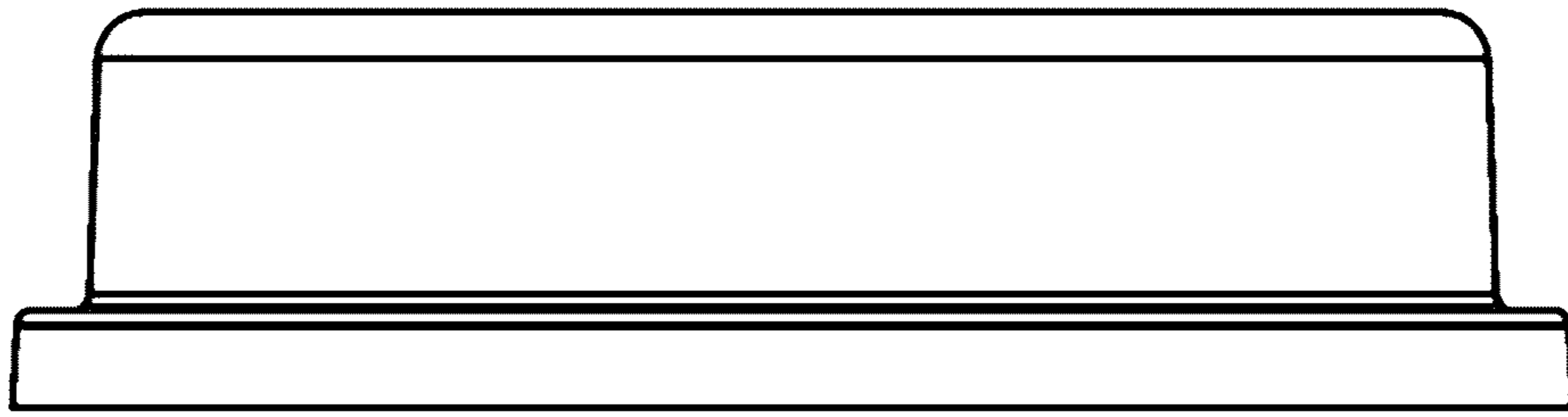


FIG. 8

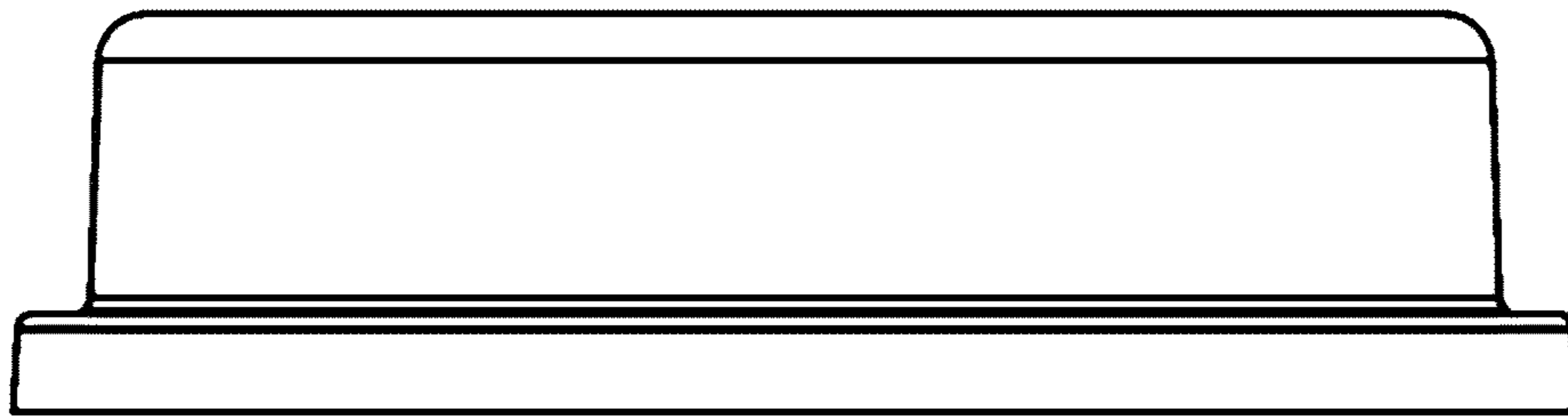


FIG. 9

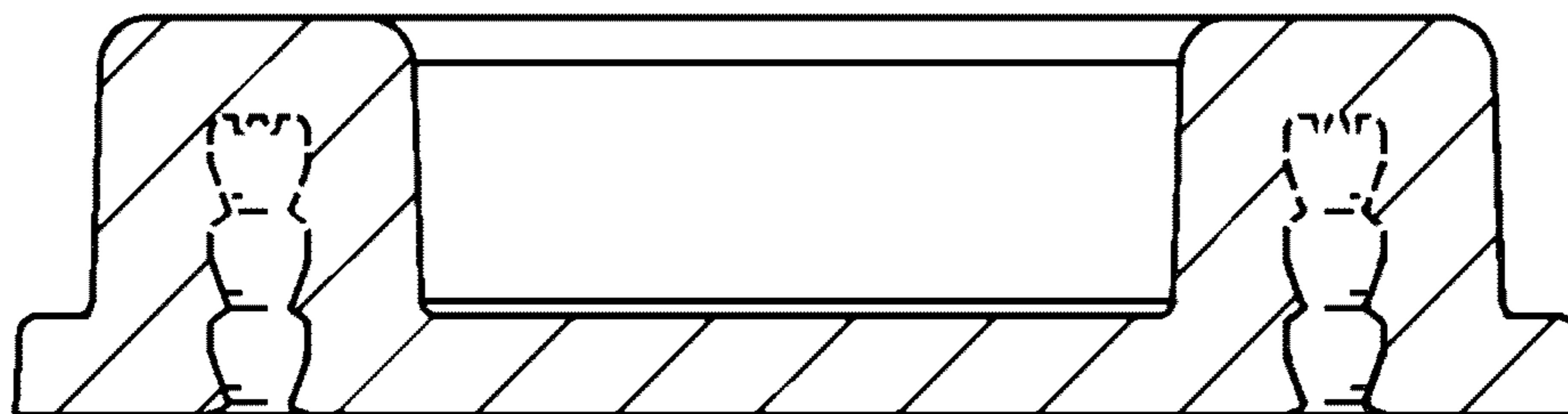


FIG. 10