

US00D744067S

(12) **United States Design Patent**  
**Kacik et al.**

(10) **Patent No.:** **US D744,067 S**  
(45) **Date of Patent:** **\*\* Nov. 24, 2015**

(54) **FAUCET CARTRIDGE**  
(71) Applicant: **Moen Incorporated**, North Olmsted, OH (US)  
(72) Inventors: **Mark S. Kacik**, Lakewood, OH (US);  
**Yaakov Korb**, Grafton, OH (US);  
**Sanjeev S. Moghe**, Chagrin Falls, OH (US)

4,109,672 A 8/1978 Szemeredi  
4,226,260 A 10/1980 Schmitt  
4,305,419 A 12/1981 Moen  
4,606,372 A 8/1986 Hayman  
4,700,736 A 10/1987 Sheen  
4,838,304 A 6/1989 Knapp  
4,901,749 A 2/1990 Hutto

(Continued)

**FOREIGN PATENT DOCUMENTS**

(73) Assignee: **Moen Incorporated**, North Olmsted, OH (US)

DE 3720207 A1 12/1987

**OTHER PUBLICATIONS**

(\*\*) Term: **14 Years**

International Search Report for International App. No. PCT/US2013/050486 dated Jan. 9, 2014 (2 pages).

(21) Appl. No.: **29/508,694**

(Continued)

(22) Filed: **Nov. 10, 2014**

**Related U.S. Application Data**

(63) Continuation of application No. 29/427,376, filed on Jul. 17, 2012, now Pat. No. Des. 717,398.

(51) **LOC (10) Cl.** ..... **23-01**

(52) **U.S. Cl.**  
USPC ..... **D23/235**

(58) **Field of Classification Search**  
USPC ..... D23/233, 235, 234-237; 137/801,  
137/315.11, 625.17, 625.4, 636.1, 636.2;  
251/285, 288

CPC ..... E03C 1/0404; E03C 1/04; E03C 1/0401;  
E03C 1/0415; E03C 1/0403; F16K 43/00

See application file for complete search history.

(56) **References Cited**

**U.S. PATENT DOCUMENTS**

3,548,875 A 12/1970 Lagarelli  
3,680,592 A 8/1972 Hayman  
3,698,418 A 10/1972 Schmitt  
3,788,356 A 1/1974 Moen  
3,799,191 A 3/1974 Burkhardt et al.

*Primary Examiner* — Cynthia Ramirez

(74) *Attorney, Agent, or Firm* — Calfee, Halter & Griswold LLP

(57) **CLAIM**

The ornamental design for a faucet cartridge, as shown and described.

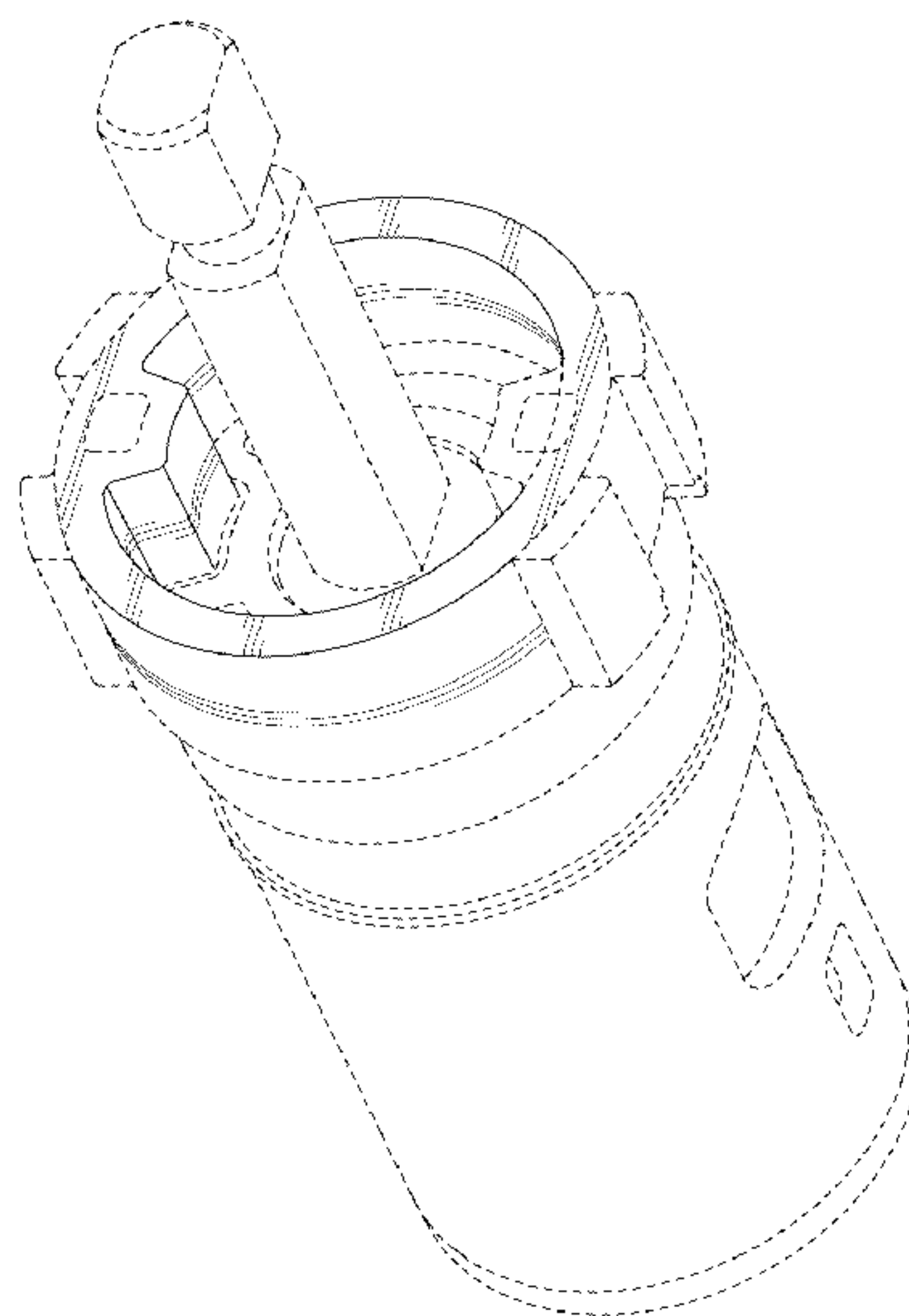
**DESCRIPTION**

FIG. 1 is a perspective view of a faucet cartridge of the new design;

FIG. 2 is a front elevational view of the faucet cartridge of FIG. 1, the rear elevational view being a mirror image thereof; FIG. 3 is a left side elevational view of the faucet cartridge of FIG. 1, the right side elevational view being a mirror image thereof; and,

FIG. 4 is a top plan view of the faucet cartridge of FIG. 1. The broken lines shown in the figures are included for the purpose of illustrating portions of the faucet cartridge and form no part of the claimed design.

**1 Claim, 3 Drawing Sheets**



(56)

**References Cited**

U.S. PATENT DOCUMENTS

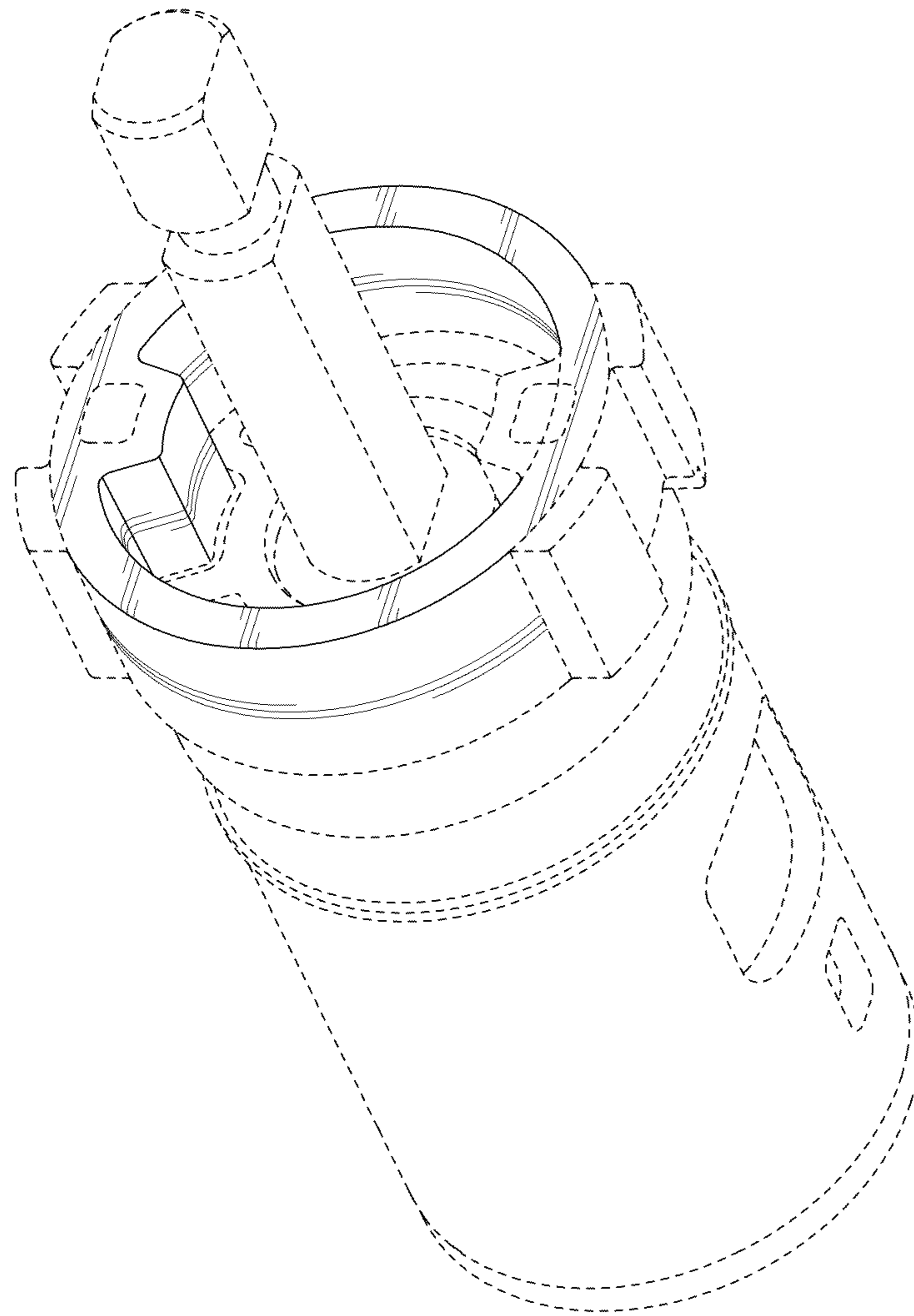
5,402,827 A 4/1995 Gonzalez  
 5,613,521 A 3/1997 Knapp  
 5,664,603 A 9/1997 Knapp  
 D428,113 S 7/2000 Russo  
 6,135,151 A 10/2000 Bowers et al.  
 D442,267 S 5/2001 Kouda  
 6,431,211 B1 8/2002 Wang  
 D499,464 S 12/2004 Caine  
 D500,840 S 1/2005 Kim  
 7,063,098 B2 6/2006 Sprague  
 7,175,158 B2 2/2007 Thomas  
 7,185,676 B2 3/2007 Huang  
 7,240,850 B2 7/2007 Beck et al.  
 7,337,804 B2 3/2008 Rosko  
 7,357,145 B2 4/2008 Soderberg  
 7,461,669 B2 12/2008 Jonte et al.  
 D585,522 S 1/2009 Geideman et al.  
 7,549,437 B2 6/2009 Hanada  
 D620,081 S 7/2010 Geideman et al.  
 D633,179 S 2/2011 Geideman et al.  
 8,056,578 B2 11/2011 Lopp et al.

8,109,293 B2 2/2012 Tucker  
 8,109,294 B2 2/2012 Kacik et al.  
 8,156,963 B2 4/2012 Lopp et al.  
 D690,391 S 9/2013 Garm et al.  
 D717,398 S \* 11/2014 Kacik et al. .... D23/235  
 D717,399 S \* 11/2014 Kacik et al. .... D23/235  
 2006/0037651 A1 2/2006 Yang  
 2007/0163446 A1 7/2007 Halliday et al.  
 2007/0277889 A1 12/2007 Rosko  
 2008/0178951 A1 7/2008 Frackowiak et al.  
 2009/0025808 A1 1/2009 Kacik et al.  
 2009/0026402 A1 1/2009 Loschelder et al.  
 2010/0127202 A1 5/2010 Bors et al.  
 2012/0025122 A1 2/2012 Lopp et al.  
 2012/0305117 A1 12/2012 Huang  
 2013/0199645 A1 8/2013 Hsu  
 2014/0007967 A1 1/2014 Sun

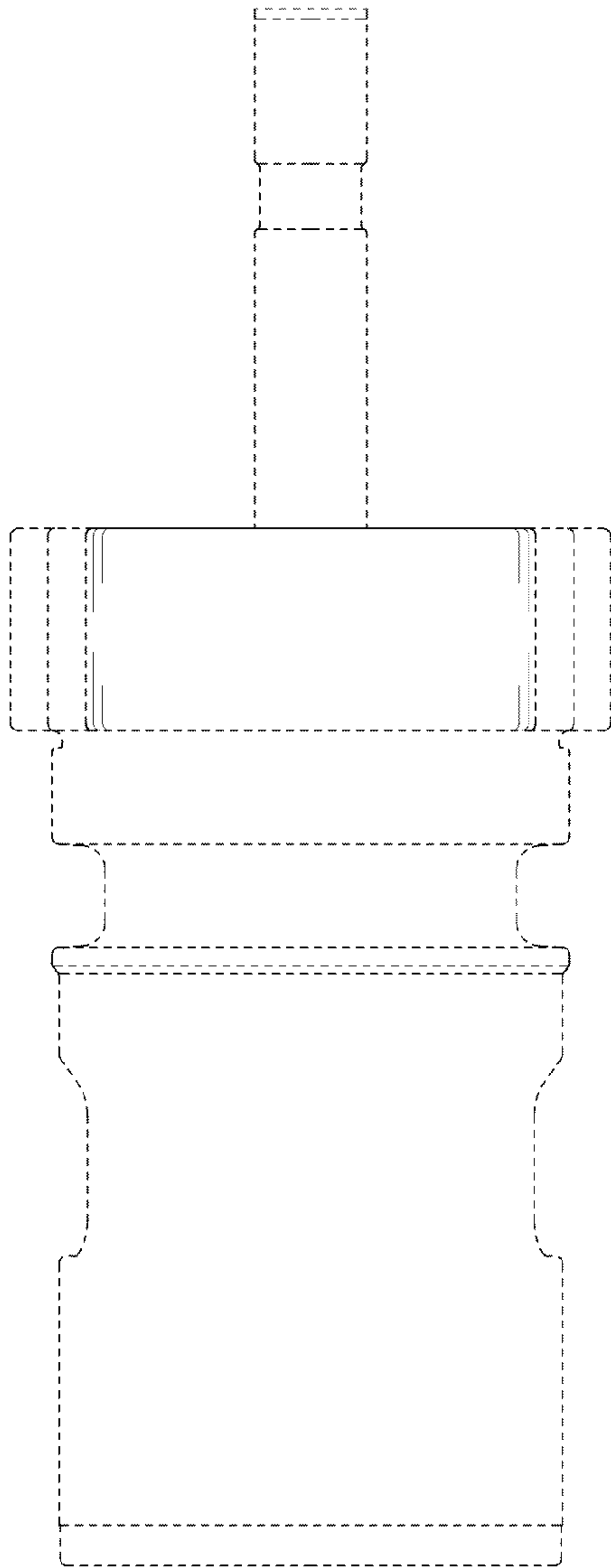
OTHER PUBLICATIONS

Written Opinion of the International Searching Authority for International App. No. PCT/US2013/050486 dated Jan. 9, 2014 (7 pages).

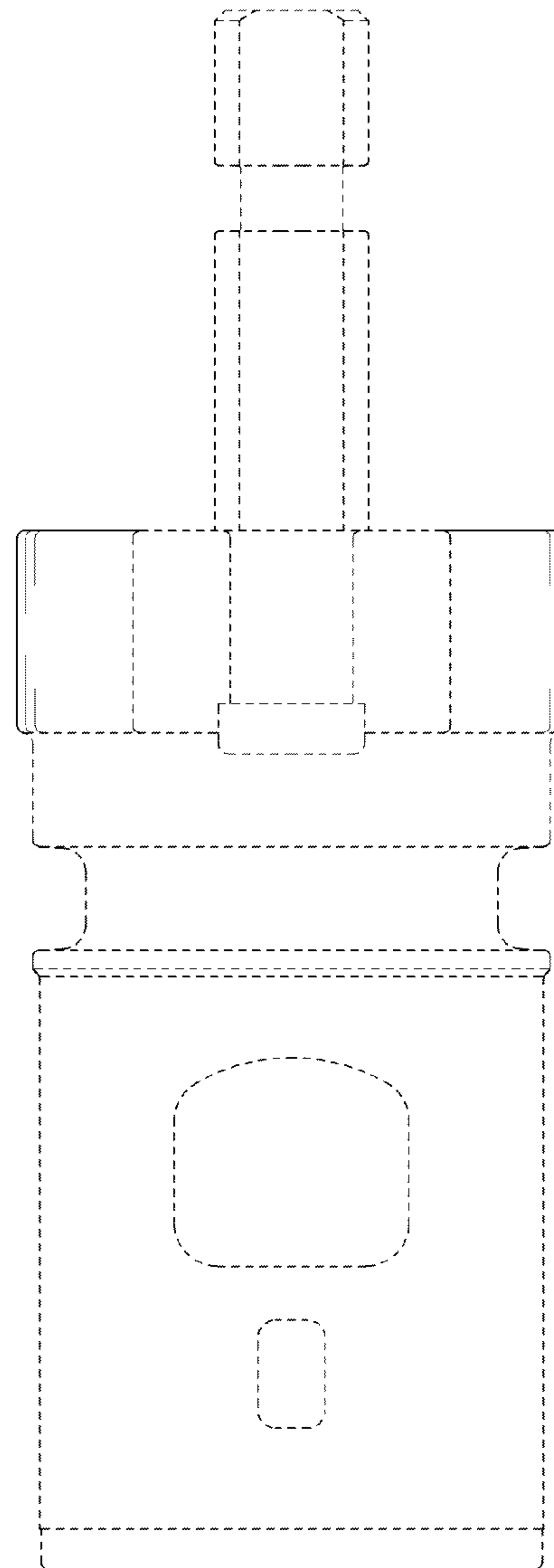
\* cited by examiner



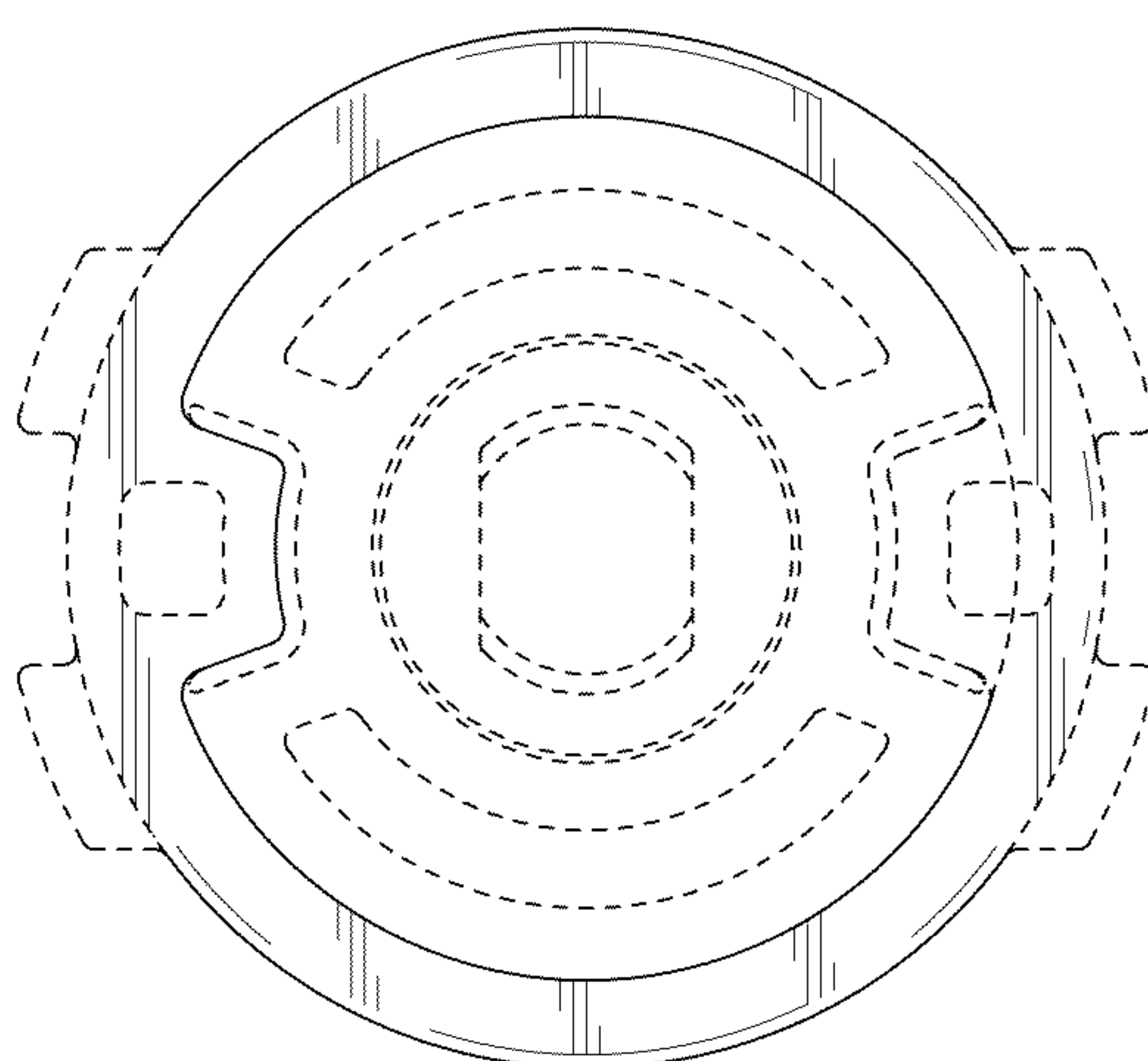
**FIG. 1**



**FIG. 2**



**FIG. 3**



**FIG. 4**