



US00D744066S

(12) **United States Design Patent**
Peterson et al.

(10) **Patent No.:** **US D744,066 S**

(45) **Date of Patent:** **** Nov. 24, 2015**

(54) **WALL MOUNT SHOWERHEAD**

1,001,842 A 8/1911 Greenfield
1,003,037 A 9/1911 Crowe
1,018,143 A 2/1912 Vissering

(71) Applicant: **WATER PIK, INC.**, Fort Collins, CO
(US)

(Continued)

(72) Inventors: **Preston Peterson**, Loveland, CO (US);
Zuqiang Zhuang, Xiamen (CN)

FOREIGN PATENT DOCUMENTS

CA 659510 3/1963
CA 2341041 8/1999

(73) Assignee: **WATER PIK, INC.**, Fort Collins, CO
(US)

(Continued)

(**) Term: **14 Years**

OTHER PUBLICATIONS

(21) Appl. No.: **29/493,874**

Author Unknown, "Flipside: The Bold Look of Kohler," 1 page, at least as early as Jun. 2011.

(Continued)

(22) Filed: **Jun. 13, 2014**

(51) **LOC (10) Cl.** **23-01**

Primary Examiner — Robin V Webster

(52) **U.S. Cl.**
USPC **D23/229**

(74) *Attorney, Agent, or Firm* — Dorsey & Whitney LLP

(58) **Field of Classification Search**
USPC D23/213, 223, 229, 230; 239/282, 283,
239/461, 462

(57) **CLAIM**

We claim the ornamental design for a wall mount showerhead, as shown and described.

CPC B05B 1/00; B05B 1/18
See application file for complete search history.

DESCRIPTION

(56) **References Cited**

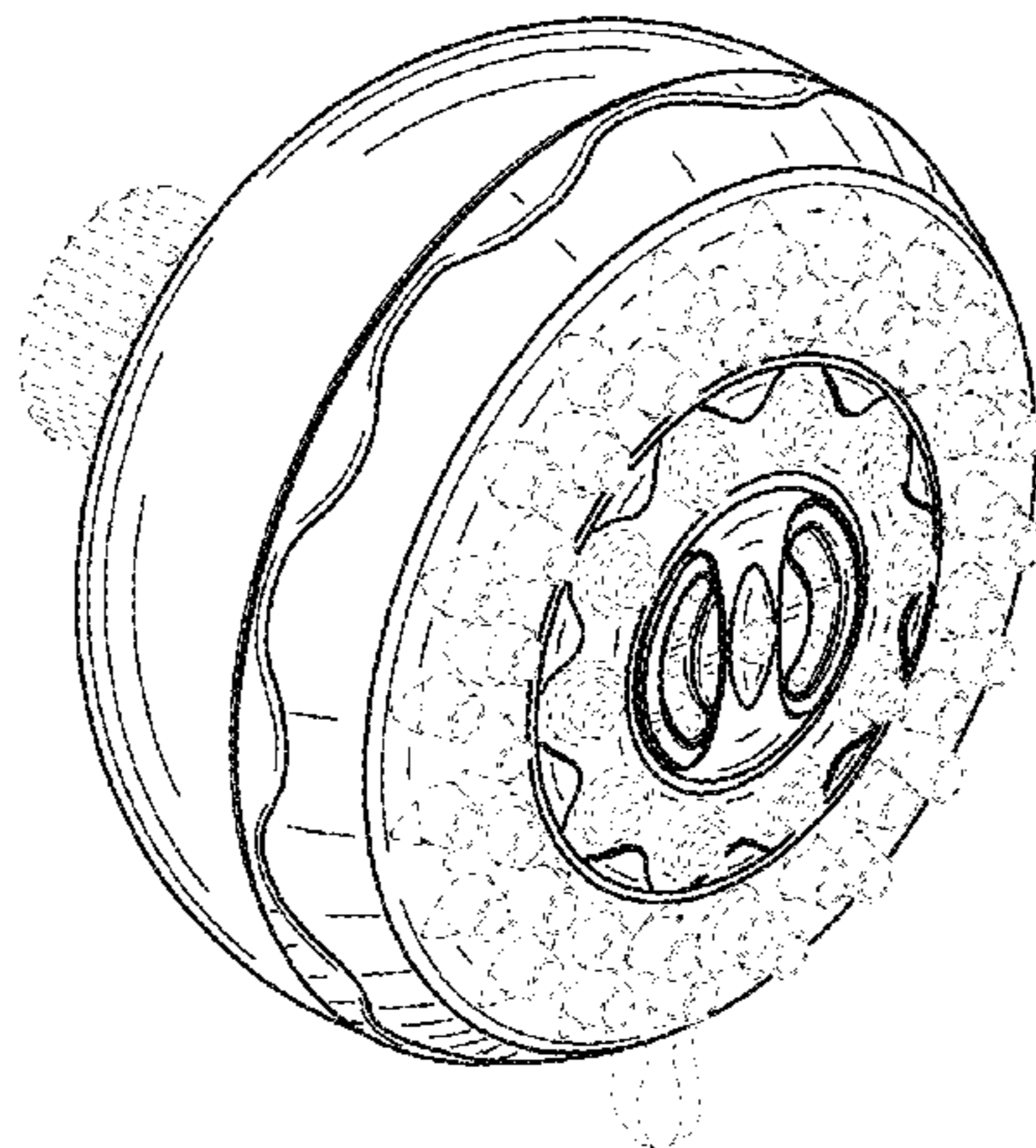
U.S. PATENT DOCUMENTS

203,094 A	4/1878	Wakeman
204,333 A	5/1878	Josias
309,349 A	12/1884	Hart
428,023 A	5/1890	Schoff
432,712 A	7/1890	Taylor
445,250 A	1/1891	Lawless
453,109 A	5/1891	Dreisorner
486,986 A	11/1892	Schinke
566,384 A	8/1896	Engelhart
566,410 A	8/1896	Schinke
570,405 A	10/1896	Jerguson et al.
694,888 A	3/1902	Pfluger
800,802 A	10/1905	Franquist
832,523 A	10/1906	Andersson
835,678 A	11/1906	Hammond
845,540 A	2/1907	Ferguson
854,094 A	5/1907	Klein
926,929 A	7/1909	Dusseau

FIG. 1 is a front isometric view of a wall mount showerhead. FIG. 2 is a rear isometric view of the wall mount showerhead of FIG. 1. FIG. 3 is a front elevation view of the wall mount showerhead of FIG. 1. FIG. 4 is a rear elevation view of the wall mount showerhead of FIG. 1. FIG. 5 is a front elevation view of the wall mount showerhead of FIG. 1. FIG. 6 is a rear elevation view of the wall mount showerhead of FIG. 1. FIG. 7 is a left-side elevation view of the wall mount showerhead of FIG. 1; and, FIG. 8 is a right-side elevation view of the wall mount showerhead of FIG. 1.

The broken lines, which define the bounds of the claimed design, form no part of the claimed design.

1 Claim, 4 Drawing Sheets



(56)

References Cited

U.S. PATENT DOCUMENTS

1,046,573 A	12/1912	Ellis	D192,935 S	5/1962	Becker
1,130,520 A	3/1915	Kenney	3,032,357 A	5/1962	Shames et al.
1,203,466 A	10/1916	Benson	3,034,809 A	5/1962	Greenberg
1,217,254 A	2/1917	Winslow	3,037,799 A	6/1962	Mulac
1,218,895 A	3/1917	Porter	3,081,339 A	3/1963	Green et al.
1,255,577 A	2/1918	Berry	3,092,333 A	6/1963	Gaiotto
1,260,181 A	3/1918	Garnero	3,098,508 A	7/1963	Gerdes
1,276,117 A	8/1918	Riebe	3,103,723 A	9/1963	Becker
1,284,099 A	11/1918	Harris	3,104,815 A	9/1963	Schultz
1,327,428 A	1/1920	Gregory	3,104,827 A	9/1963	Aghnides
1,451,800 A	4/1923	Agner	3,111,277 A	11/1963	Grimsley
1,459,582 A	6/1923	Dubee	3,112,073 A	11/1963	Larson et al.
1,469,528 A	10/1923	Owens	3,143,857 A	8/1964	Eaton
1,500,921 A	7/1924	Bramson et al.	3,196,463 A	7/1965	Farneth
1,560,789 A	11/1925	Johnson et al.	3,231,200 A	1/1966	Heald
1,597,477 A	8/1926	Panhorst	3,236,545 A	2/1966	Parkes et al.
1,633,531 A	6/1927	Keller	3,239,152 A	3/1966	Bachli et al.
1,692,394 A	11/1928	Sundh	3,266,059 A	8/1966	Stelle
1,695,263 A	12/1928	Jacques	3,272,437 A	9/1966	Coson
1,724,147 A	8/1929	Russell	3,273,359 A	9/1966	Fregeolle
1,724,161 A	8/1929	Wuesthoff	3,306,634 A	2/1967	Groves et al.
1,736,160 A	11/1929	Jonsson	3,323,148 A	6/1967	Burnon
1,754,127 A	4/1930	Srulowitz	3,329,967 A	7/1967	Martinez et al.
1,758,115 A	5/1930	Kelly	3,341,132 A	9/1967	Parkison
1,778,658 A	10/1930	Baker	3,342,419 A	9/1967	Weese
1,821,274 A	9/1931	Plummer	3,344,994 A	10/1967	Fife
1,849,517 A	3/1932	Fraser	3,363,842 A	1/1968	Burns
1,890,156 A	12/1932	Konig	3,383,051 A	5/1968	Fiorentino
1,906,575 A	5/1933	Goeriz	3,389,925 A	6/1968	Gottschald
1,934,553 A	11/1933	Mueller et al.	3,393,311 A	7/1968	Dahl
1,946,207 A	2/1934	Haire	3,393,312 A	7/1968	Dahl
2,011,446 A	8/1935	Judell	3,404,410 A	10/1968	Sumida
2,024,930 A	12/1935	Judell	3,492,029 A	1/1970	French et al.
2,033,467 A	3/1936	Groeniger	3,516,611 A	6/1970	Piggott
2,044,445 A	6/1936	Price et al.	3,546,961 A	12/1970	Marton
2,085,854 A	7/1937	Hathaway et al.	3,550,863 A	12/1970	McDermott
2,096,912 A	10/1937	Morris	3,552,436 A	1/1971	Stewart
2,117,152 A	5/1938	Crosti	3,565,116 A	2/1971	Gabin
D113,439 S	2/1939	Reinecke	3,566,917 A	3/1971	White
2,196,783 A	4/1940	Shook	3,580,513 A	5/1971	Martin
2,197,667 A	4/1940	Shook	3,584,822 A	6/1971	Oram
2,216,149 A	10/1940	Weiss	3,596,835 A	8/1971	Smith et al.
D126,433 S	4/1941	Enthof	3,612,577 A	10/1971	Pope
2,251,192 A	7/1941	Krumsiek et al.	3,637,143 A	1/1972	Shames et al.
2,268,263 A	12/1941	Newell et al.	3,641,333 A	2/1972	Gendron
2,285,831 A	6/1942	Pennypacker	3,647,144 A	3/1972	Parkison et al.
2,342,757 A	2/1944	Roser	3,663,044 A	5/1972	Contreras et al.
2,402,741 A	6/1946	Draviner	3,669,470 A	6/1972	Deurloo
D147,258 S	8/1947	Becker	3,672,648 A	6/1972	Price
D152,584 S	2/1949	Becker	3,682,392 A	8/1972	Kint
2,467,954 A	4/1949	Becker	3,685,745 A	8/1972	Peschcke-Koedt
2,546,348 A	3/1951	Schuman	D224,834 S	9/1972	Laudell
2,567,642 A	9/1951	Penshaw	3,711,029 A	1/1973	Bartlett
2,581,129 A	1/1952	Muldoon	3,722,798 A	3/1973	Bletcher et al.
D166,073 S	3/1952	Dunkelberger	3,722,799 A	3/1973	Rauh
2,648,762 A	8/1953	Dunkelberger	3,731,084 A	5/1973	Trevorrow
2,664,271 A	12/1953	Arutunoff	3,754,779 A	8/1973	Peress
2,671,693 A	3/1954	Hyser et al.	D228,622 S	10/1973	Juhlin
2,676,806 A	4/1954	Bachman	3,762,648 A	10/1973	Deines et al.
2,679,575 A	5/1954	Haberstump	3,768,735 A	10/1973	Ward
2,680,358 A	6/1954	Zublin	3,786,995 A	1/1974	Manoogian et al.
2,726,120 A	12/1955	Bletcher et al.	3,801,019 A	4/1974	Trenary et al.
2,759,765 A	8/1956	Pawley	3,810,580 A	5/1974	Rauh
2,776,168 A	1/1957	Schweda	3,826,454 A	7/1974	Zieger
2,792,847 A	5/1957	Spencer	3,840,734 A	10/1974	Oram
2,873,999 A	2/1959	Webb	3,845,291 A	10/1974	Portyrata
2,930,505 A	3/1960	Meyer	3,860,271 A	1/1975	Rodgers
2,931,672 A	4/1960	Merritt et al.	3,861,719 A	1/1975	Hand
2,935,265 A	5/1960	Richter	3,865,310 A	2/1975	Elkins et al.
2,949,242 A	8/1960	Blumberg et al.	3,869,151 A	3/1975	Fletcher et al.
2,957,587 A	10/1960	Tobin	3,896,845 A	7/1975	Parker
2,966,311 A	12/1960	Davis	3,902,671 A	9/1975	Symmons
D190,295 S	5/1961	Becker	3,910,277 A	10/1975	Zimmer
2,992,437 A	7/1961	Nelson et al.	D237,708 S	11/1975	Grohe
3,007,648 A	11/1961	Fraser	3,929,164 A	12/1975	Richter
			3,929,287 A	12/1975	Givler et al.
			3,958,756 A	5/1976	Trenary et al.
			D240,322 S	6/1976	Staub
			3,963,179 A	6/1976	Tomaro

(56)

References Cited

U.S. PATENT DOCUMENTS

3,967,783	A	7/1976	Halsted et al.	D281,820	S	12/1985	Oba et al.
3,979,096	A	9/1976	Zieger	4,561,593	A	12/1985	Cammack et al.
3,997,116	A	12/1976	Moen	4,564,889	A	1/1986	Bolson
3,998,390	A	12/1976	Peterson et al.	4,571,003	A	2/1986	Roling et al.
3,999,714	A	12/1976	Lang	4,572,232	A	2/1986	Gruber
4,005,880	A	2/1977	Anderson et al.	D283,645	S	4/1986	Tanaka
4,006,920	A	2/1977	Sadler et al.	4,587,991	A	5/1986	Chorkey
4,023,782	A	5/1977	Eifer	4,588,130	A	5/1986	Trenary et al.
4,042,984	A	8/1977	Butler	4,598,866	A	7/1986	Cammack et al.
4,045,054	A	8/1977	Arnold	4,614,303	A	9/1986	Moseley, Jr. et al.
D245,858	S	9/1977	Grube	4,616,298	A	10/1986	Bolson
D245,860	S	9/1977	Grube	4,618,100	A	10/1986	White et al.
4,068,801	A	1/1978	Leutheuser	4,629,124	A	12/1986	Gruber
4,081,135	A	3/1978	Tomaro	4,629,125	A	12/1986	Liu
4,084,271	A	4/1978	Ginsberg	4,643,463	A	2/1987	Halling et al.
4,091,998	A	5/1978	Peterson	4,645,244	A	2/1987	Curtis
D249,356	S	9/1978	Nagy	RE32,386	E	3/1987	Hunter
4,117,979	A	10/1978	Lagarelli et al.	4,650,120	A	3/1987	Kress
4,129,257	A	12/1978	Eggert	4,650,470	A	3/1987	Epstein
4,130,120	A	12/1978	Kohler, Jr.	4,652,025	A	3/1987	Conroy, Sr.
4,131,233	A	12/1978	Koenig	4,654,900	A	4/1987	McGhee
4,133,486	A	1/1979	Fanella	4,657,185	A	4/1987	Rundzaitis
4,135,549	A	1/1979	Baker	4,669,666	A	6/1987	Finkbeiner
D251,045	S	2/1979	Grube	4,669,757	A	6/1987	Bartholomew
4,141,502	A	2/1979	Grohe	4,674,687	A	6/1987	Smith et al.
4,151,955	A	5/1979	Stouffer	4,683,917	A	8/1987	Bartholomew
4,151,957	A	5/1979	Gecewicz et al.	4,703,893	A	11/1987	Gruber
4,162,801	A	7/1979	Kresky et al.	4,717,180	A	1/1988	Roman
4,165,837	A	8/1979	Rundzaitis	4,719,654	A	1/1988	Blessing
4,167,196	A	9/1979	Morris	4,733,337	A	3/1988	Bieberstein
4,174,822	A	11/1979	Larsson	D295,437	S	4/1988	Fabian
4,185,781	A	1/1980	O'Brien	4,739,801	A	4/1988	Kimura et al.
4,190,207	A	2/1980	Fienhold et al.	4,749,126	A	6/1988	Kessener et al.
4,191,332	A	3/1980	De Langis et al.	D296,582	S	7/1988	Haug et al.
4,203,550	A	5/1980	On	4,754,928	A	7/1988	Rogers et al.
4,209,132	A	6/1980	Kwan	D297,160	S	8/1988	Robbins
D255,626	S	7/1980	Grube	4,764,047	A	8/1988	Johnston et al.
4,219,160	A	8/1980	Allred, Jr.	4,778,104	A	10/1988	Fisher
4,221,338	A	9/1980	Shames et al.	4,787,591	A	11/1988	Villacorta
4,239,409	A	12/1980	Osrow	4,790,294	A	12/1988	Allred, III et al.
4,243,253	A	1/1981	Rogers, Jr.	4,801,091	A	1/1989	Sandvik
4,244,526	A	1/1981	Arth	4,809,369	A	3/1989	Bowden
D258,677	S	3/1981	Larsson	4,839,599	A	6/1989	Fischer
4,254,914	A	3/1981	Shames et al.	4,841,590	A	6/1989	Terry
4,258,414	A	3/1981	Sokol	4,842,059	A	6/1989	Tomek
4,272,022	A	6/1981	Evans	D302,325	S	7/1989	Charet et al.
4,274,400	A	6/1981	Baus	4,850,616	A	7/1989	Pava
4,282,612	A	8/1981	King	4,854,499	A	8/1989	Neuman
D261,300	S	10/1981	Klose	4,856,822	A	8/1989	Parker
D261,417	S	10/1981	Klose	4,865,362	A	9/1989	Holden
4,303,201	A	12/1981	Elkins et al.	D303,830	S	10/1989	Ramsey et al.
4,319,608	A	3/1982	Raikov et al.	4,871,196	A	10/1989	Kingsford
4,330,089	A	5/1982	Finkbeiner	4,896,658	A	1/1990	Yonekubo et al.
D266,212	S	9/1982	Haug et al.	D306,351	S	2/1990	Charet et al.
4,350,298	A	9/1982	Tada	4,901,927	A	2/1990	Valdivia
4,353,508	A	10/1982	Butterfield et al.	4,903,178	A	2/1990	Englot et al.
4,358,056	A	11/1982	Greenhut et al.	4,903,897	A	2/1990	Hayes
D267,582	S	1/1983	Mackay et al.	4,903,922	A	2/1990	Harris, III
D268,359	S	3/1983	Klose	4,907,137	A	3/1990	Schladitz et al.
D268,442	S	3/1983	Darmon	4,907,744	A	3/1990	Jousson
D268,611	S	4/1983	Klose	4,909,435	A	3/1990	Kidouchi et al.
4,383,554	A	5/1983	Merriman	4,914,759	A	4/1990	Goff
4,396,797	A	8/1983	Sakuragi et al.	4,946,202	A	8/1990	Perricone
4,398,669	A	8/1983	Fienhold	4,951,329	A	8/1990	Shaw
4,425,965	A	1/1984	Bayh, III et al.	4,953,585	A	9/1990	Rollini et al.
4,432,392	A	2/1984	Paley	4,964,573	A	10/1990	Lipski
D274,457	S	6/1984	Haug	4,972,048	A	11/1990	Martin
4,461,052	A	7/1984	Mostul	D313,267	S	12/1990	Lenci et al.
4,465,308	A	8/1984	Martini	4,976,460	A	12/1990	Newcombe et al.
4,467,964	A	8/1984	Kaeser	D314,246	S	1/1991	Bache
4,495,550	A	1/1985	Visciano	D315,191	S	3/1991	Mikol
4,527,745	A	7/1985	Butterfield et al.	4,998,673	A	3/1991	Pilolla
4,540,202	A	9/1985	Amphoux et al.	5,004,158	A	4/1991	Halem et al.
4,545,081	A	10/1985	Nestor et al.	D317,348	S	6/1991	Geneve et al.
4,553,775	A	11/1985	Halling	5,020,570	A	6/1991	Cotter
				5,022,103	A	6/1991	Faist
				5,032,015	A	7/1991	Christianson
				5,033,528	A	7/1991	Volcani
				5,033,897	A	7/1991	Chen

(56)

References Cited

U.S. PATENT DOCUMENTS

D319,294 S	8/1991	Kohler, Jr. et al.	5,294,054 A	3/1994	Benedict et al.
D320,064 S	9/1991	Presman	5,297,735 A	3/1994	Heimann et al.
5,046,764 A	9/1991	Kimura et al.	5,297,739 A	3/1994	Allen
D321,062 S	10/1991	Bonbright	D345,811 S	4/1994	Van Deursen et al.
5,058,804 A	10/1991	Yonekubo et al.	D346,426 S	4/1994	Warshawsky
D322,119 S	12/1991	Haug et al.	D346,428 S	4/1994	Warshawsky
D322,681 S	12/1991	Yuen	D346,430 S	4/1994	Warshawsky
5,070,552 A	12/1991	Gentry et al.	D347,262 S	5/1994	Black et al.
D323,545 S	1/1992	Ward	D347,265 S	5/1994	Gottwald
5,082,019 A	1/1992	Tetrault	5,316,216 A	5/1994	Cammack et al.
5,086,878 A	2/1992	Swift	D348,720 S	7/1994	Haug et al.
5,090,624 A	2/1992	Rogers	5,329,650 A	7/1994	Zaccai et al.
5,100,055 A	3/1992	Rokitenetz et al.	D349,947 S	8/1994	Hing-Wah
D325,769 S	4/1992	Haug et al.	5,333,787 A	8/1994	Smith et al.
D325,770 S	4/1992	Haug et al.	5,333,789 A	8/1994	Garneys
5,103,384 A	4/1992	Drohan	5,340,064 A	8/1994	Heimann et al.
D326,311 S	5/1992	Lenci et al.	5,340,165 A	8/1994	Sheppard
D327,115 S	6/1992	Rogers	D350,808 S	9/1994	Warshawsky
5,121,511 A	6/1992	Sakamoto et al.	5,344,080 A	9/1994	Matsui
D327,729 S	7/1992	Rogers	5,349,987 A	9/1994	Shieh
5,127,580 A	7/1992	Fu-I	5,356,076 A	10/1994	Bishop
5,134,251 A	7/1992	Martin	5,356,077 A	10/1994	Shames
D328,944 S	8/1992	Robbins	D352,092 S	11/1994	Warshawsky
5,141,016 A	8/1992	Nowicki	D352,347 S	11/1994	Dannenber
D329,504 S	9/1992	Yuen	D352,766 S	11/1994	Hill et al.
5,143,300 A	9/1992	Cutler	5,368,235 A	11/1994	Drozdoff et al.
5,145,114 A	9/1992	Monch	5,369,556 A	11/1994	Zeller
5,148,556 A	9/1992	Bottoms et al.	5,370,427 A	12/1994	Hoelle et al.
D330,068 S	10/1992	Haug et al.	5,385,500 A	1/1995	Schmidt
D330,408 S	10/1992	Thacker	D355,242 S	2/1995	Warshawsky
D330,409 S	10/1992	Raffo	D355,703 S	2/1995	Duell
5,153,976 A	10/1992	Benchaar et al.	D356,626 S	3/1995	Wang
5,154,355 A	10/1992	Gonzalez	5,397,064 A	3/1995	Heitzman
5,154,483 A	10/1992	Zeller	5,398,872 A	3/1995	Joubran
5,161,567 A	11/1992	Humpert	5,398,977 A	3/1995	Berger et al.
5,163,752 A	11/1992	Copeland et al.	5,402,812 A	4/1995	Moineau et al.
5,171,429 A	12/1992	Yasuo	5,405,089 A	4/1995	Heimann et al.
5,172,860 A	12/1992	Yuch	5,414,879 A	5/1995	Hiraishi et al.
5,172,862 A	12/1992	Heimann et al.	5,423,348 A	6/1995	Jezek et al.
5,172,866 A	12/1992	Ward	5,433,384 A	7/1995	Chan et al.
D332,303 S	1/1993	Klose	D361,399 S	8/1995	Carbone et al.
D332,994 S	2/1993	Huen	D361,623 S	8/1995	Huen
D333,339 S	2/1993	Klose	5,441,075 A	8/1995	Clare
5,197,767 A	3/1993	Kimura et al.	5,449,206 A	9/1995	Lockwood
D334,794 S	4/1993	Klose	D363,360 S	10/1995	Santarsiero
D335,171 S	4/1993	Lenci et al.	5,454,809 A	10/1995	Janssen
5,201,468 A	4/1993	Freier et al.	5,468,057 A	11/1995	Megerle et al.
5,206,963 A	5/1993	Wiens	D364,935 S	12/1995	deBlois
5,207,499 A	5/1993	Vajda et al.	D365,625 S	12/1995	Bova
5,213,267 A	5/1993	Heimann et al.	D365,646 S	12/1995	deBlois
5,220,697 A	6/1993	Birchfield	5,476,225 A	12/1995	Chan
D337,839 S	7/1993	Zeller	D366,309 S	1/1996	Huang
5,228,625 A	7/1993	Grassberger	D366,707 S	1/1996	Kaiser
5,230,106 A	7/1993	Henkin et al.	D366,708 S	1/1996	Santarsiero
D338,542 S	8/1993	Yuen	D366,709 S	1/1996	Szymanski
5,232,162 A	8/1993	Chih	D366,710 S	1/1996	Szymanski
D339,492 S	9/1993	Klose	5,481,765 A	1/1996	Wang
D339,627 S	9/1993	Klose	D366,948 S	2/1996	Carbone
D339,848 S	9/1993	Gottwald	D367,315 S	2/1996	Andrus
5,246,169 A	9/1993	Heimann et al.	D367,333 S	2/1996	Swyst
5,246,301 A	9/1993	Hirasawa	D367,696 S	3/1996	Andrus
D340,376 S	10/1993	Klose	D367,934 S	3/1996	Carbone
5,253,670 A	10/1993	Perrott	D368,146 S	3/1996	Carbone
5,253,807 A	10/1993	Newbegin	D368,317 S	3/1996	Swyst
5,254,809 A	10/1993	Martin	5,499,767 A	3/1996	Morand
D341,007 S	11/1993	Haug et al.	D368,539 S	4/1996	Carbone et al.
D341,191 S	11/1993	Klose	D368,540 S	4/1996	Santarsiero
D341,220 S	11/1993	Eagan	D368,541 S	4/1996	Kaiser et al.
5,263,646 A	11/1993	McCauley	D368,542 S	4/1996	deBlois et al.
5,265,833 A	11/1993	Heimann et al.	D369,204 S	4/1996	Andrus
5,268,826 A	12/1993	Greene	D369,205 S	4/1996	Andrus
5,276,596 A	1/1994	Krenzel	5,507,436 A	4/1996	Ruttenberg
5,277,391 A	1/1994	Haug et al.	D369,873 S	5/1996	deBlois et al.
5,286,071 A	2/1994	Storage	D369,874 S	5/1996	Santarsiero
5,288,110 A	2/1994	Allread	D369,875 S	5/1996	Carbone
			D370,052 S	5/1996	Chan et al.
			D370,250 S	5/1996	Fawcett et al.
			D370,277 S	5/1996	Kaiser
			D370,278 S	5/1996	Nolan

(56)

References Cited

U.S. PATENT DOCUMENTS

D370,279 S	5/1996	deBlois	5,718,380 A	2/1998	Schorn et al.
D370,280 S	5/1996	Kaiser	D392,369 S	3/1998	Chan
D370,281 S	5/1996	Johnstone et al.	5,730,361 A	3/1998	Thonnes
5,517,392 A	5/1996	Rouso et al.	5,730,362 A	3/1998	Cordes
5,521,803 A	5/1996	Eckert et al.	5,730,363 A	3/1998	Kress
D370,542 S	6/1996	Santarsiero	5,742,961 A	4/1998	Casperson et al.
D370,735 S	6/1996	deBlois	D394,490 S	5/1998	Andrus et al.
D370,987 S	6/1996	Santarsiero	5,746,375 A	5/1998	Guo
D370,988 S	6/1996	Santarsiero	5,749,552 A	5/1998	Fan
D371,448 S	7/1996	Santarsiero	5,749,602 A	5/1998	Delaney et al.
D371,618 S	7/1996	Nolan	D394,899 S	6/1998	Caroen et al.
D371,619 S	7/1996	Szymanski	D395,074 S	6/1998	Neibrook et al.
D371,856 S	7/1996	Carbone	D395,075 S	6/1998	Kolada
D372,318 S	7/1996	Szymanski	D395,142 S	6/1998	Neibrook
D372,319 S	7/1996	Carbone	5,764,760 A	6/1998	Grandbert et al.
5,531,625 A	7/1996	Zhong	5,765,760 A	6/1998	Kuo
5,539,624 A	7/1996	Dougherty	5,769,802 A	6/1998	Wang
D372,548 S	8/1996	Carbone	5,772,120 A	6/1998	Huber
D372,998 S	8/1996	Carbone	5,778,939 A	7/1998	Hok-Yin
D373,210 S	8/1996	Santarsiero	5,788,157 A	8/1998	Kress
D373,434 S	9/1996	Nolan	D398,370 S	9/1998	Purdy
D373,435 S	9/1996	Nolan	5,806,771 A	9/1998	Loschelder et al.
D373,645 S	9/1996	Johnstone et al.	5,819,791 A	10/1998	Chronister et al.
D373,646 S	9/1996	Szymanski et al.	5,820,574 A	10/1998	Henkin et al.
D373,647 S	9/1996	Kaiser	5,823,431 A	10/1998	Pierce
D373,648 S	9/1996	Kaiser	5,823,442 A	10/1998	Guo
D373,649 S	9/1996	Carbone	5,826,803 A	10/1998	Cooper
D373,651 S	9/1996	Szymanski	5,833,138 A	11/1998	Crane et al.
D373,652 S	9/1996	Kaiser	5,839,666 A	11/1998	Heimann et al.
5,551,637 A	9/1996	Lo	D402,350 S	12/1998	Andrus
5,552,973 A	9/1996	Hsu	D403,754 S	1/1999	Gottwald
5,558,278 A	9/1996	Gallorini	D404,116 S	1/1999	Bosio
D374,271 S	10/1996	Fleischmann	5,855,348 A	1/1999	Fornara
D374,297 S	10/1996	Kaiser	5,860,599 A	1/1999	Lin
D374,298 S	10/1996	Swyst	5,862,543 A	1/1999	Reynoso et al.
D374,299 S	10/1996	Carbone	5,862,985 A	1/1999	Neibrook et al.
D374,493 S	10/1996	Szymanski	D405,502 S	2/1999	Tse
D374,494 S	10/1996	Santarsiero	5,865,375 A	2/1999	Hsu
D374,732 S	10/1996	Kaiser	5,865,378 A	2/1999	Hollinshead et al.
D374,733 S	10/1996	Santarsiero	5,873,647 A	2/1999	Kurtz et al.
5,560,548 A	10/1996	Mueller et al.	D408,893 S	4/1999	Tse
5,567,115 A	10/1996	Carbone	D409,276 S	5/1999	Ratzlaff
D375,541 S	11/1996	Michaluk	D410,276 S	5/1999	Ben-Tsur
5,577,664 A	11/1996	Heitzman	5,918,809 A	7/1999	Simmons
D376,217 S	12/1996	Kaiser	5,918,811 A	7/1999	Denham et al.
D376,860 S	12/1996	Santarsiero	D413,157 S	8/1999	Ratzlaff
D376,861 S	12/1996	Johnstone et al.	5,937,905 A	8/1999	Santos
D376,862 S	12/1996	Carbone	5,938,123 A	8/1999	Heitzman
5,605,173 A	2/1997	Arnaud	5,941,462 A	8/1999	Sandor
D378,401 S	3/1997	Neufeld et al.	5,947,388 A	9/1999	Woodruff
5,613,638 A	3/1997	Blessing	D415,247 S	10/1999	Haverstraw et al.
5,613,639 A	3/1997	Storm et al.	5,961,046 A	10/1999	Joubran
5,615,837 A	4/1997	Roman	5,967,417 A	10/1999	Mantel
5,624,074 A	4/1997	Parisi	5,979,776 A	11/1999	Williams
5,624,498 A	4/1997	Lee et al.	5,992,762 A	11/1999	Wang
D379,212 S	5/1997	Chan	D418,200 S	12/1999	Ben-Tsur
D379,404 S	5/1997	Spelts	5,997,047 A	12/1999	Pimentel et al.
5,632,049 A	5/1997	Chen	6,003,165 A	12/1999	Loyd
D381,405 S	7/1997	Waidele et al.	D418,902 S	1/2000	Haverstraw et al.
D381,737 S	7/1997	Chan	D418,903 S	1/2000	Haverstraw et al.
D382,936 S	8/1997	Shfaram	D418,904 S	1/2000	Milrud
5,653,260 A	8/1997	Huber	D421,099 S	2/2000	Mullenmeister
5,667,146 A	9/1997	Pimentel et al.	6,021,960 A	2/2000	Kehat
D385,332 S	10/1997	Andrus	D422,053 S	3/2000	Brenner et al.
D385,333 S	10/1997	Caroen et al.	6,042,027 A	3/2000	Sandvik
D385,334 S	10/1997	Caroen et al.	6,042,155 A	3/2000	Lockwood
D385,616 S	10/1997	Dow et al.	D422,336 S	4/2000	Haverstraw et al.
D385,947 S	11/1997	Dow et al.	D422,337 S	4/2000	Chan
D387,230 S	12/1997	von Buelow et al.	D423,083 S	4/2000	Haug et al.
5,697,557 A	12/1997	Blessing et al.	D423,110 S	4/2000	Cipkowski
5,699,964 A	12/1997	Bergmann et al.	D424,160 S	5/2000	Haug et al.
5,702,057 A	12/1997	Huber	D424,161 S	5/2000	Haug et al.
D389,558 S	1/1998	Andrus	D424,162 S	5/2000	Haug et al.
5,704,080 A	1/1998	Kuhne	D424,163 S	5/2000	Haug et al.
5,707,011 A	1/1998	Bosio	D426,290 S	6/2000	Haug et al.
			D427,661 S	7/2000	Haverstraw et al.
			D428,110 S	7/2000	Haug et al.
			D428,125 S	7/2000	Chan
			6,085,780 A	7/2000	Morris

(56)

References Cited

U.S. PATENT DOCUMENTS

D430,267 S	8/2000	Milrud et al.	6,450,425 B1	9/2002	Chen
6,095,801 A	8/2000	Spiewak	6,454,186 B2	9/2002	Haverstraw et al.
D430,643 S	9/2000	Tse	6,463,658 B1	10/2002	Larsson
6,113,002 A	9/2000	Finkbeiner	6,464,265 B1	10/2002	Mikol
6,123,272 A	9/2000	Havican et al.	D465,552 S	11/2002	Tse
6,123,308 A	9/2000	Faisst	D465,553 S	11/2002	Singtoroj
D432,624 S	10/2000	Chan	6,484,952 B2	11/2002	Koren
D432,625 S	10/2000	Chan	D468,800 S	1/2003	Tse
D433,096 S	10/2000	Tse	D469,165 S	1/2003	Lim
D433,097 S	10/2000	Tse	6,502,796 B1	1/2003	Wales
6,126,091 A	10/2000	Heitzman	6,508,415 B2	1/2003	Wang
6,126,290 A	10/2000	Veigel	6,511,001 B1	1/2003	Huang
D434,109 S	11/2000	Ko	D470,219 S	2/2003	Schweitzer
6,164,569 A	12/2000	Hollinshead et al.	6,516,070 B2	2/2003	Macey
6,164,570 A	12/2000	Smeltzer	D471,253 S	3/2003	Tse
D435,889 S	1/2001	Ben-Tsur et al.	D471,953 S	3/2003	Colligan et al.
D439,305 S	3/2001	Slothower	6,533,194 B2	3/2003	Marsh et al.
6,199,580 B1	3/2001	Morris	6,537,455 B2	3/2003	Farley
6,202,679 B1	3/2001	Titus	D472,958 S	4/2003	Ouyoung
D440,276 S	4/2001	Slothower	6,550,697 B2	4/2003	Lai
D440,277 S	4/2001	Slothower	6,585,174 B1	7/2003	Huang
D440,278 S	4/2001	Slothower	6,595,439 B1	7/2003	Chen
D441,059 S	4/2001	Fleischmann	6,607,148 B1	8/2003	Marsh et al.
6,209,799 B1	4/2001	Finkbeiner	6,611,971 B1	9/2003	Antoniello et al.
D443,025 S	5/2001	Kollmann et al.	6,637,676 B2	10/2003	Zieger et al.
D443,026 S	5/2001	Kollmann et al.	6,641,057 B2	11/2003	Thomas et al.
D443,027 S	5/2001	Kollmann et al.	D483,837 S	12/2003	Fan
D443,029 S	5/2001	Kollmann et al.	6,659,117 B2	12/2003	Gilmore
6,223,998 B1	5/2001	Heitzman	6,659,372 B2	12/2003	Marsh et al.
6,230,984 B1	5/2001	Jager	D485,887 S	1/2004	Luetzgen et al.
6,230,988 B1	5/2001	Chao et al.	D486,888 S	2/2004	Lobermeier
6,230,989 B1	5/2001	Haverstraw et al.	6,691,338 B2	2/2004	Zieger
D443,335 S	6/2001	Andrus	6,691,933 B1	2/2004	Bosio
D443,336 S	6/2001	Kollmann et al.	D487,301 S	3/2004	Haug et al.
D443,347 S	6/2001	Gottwald	D487,498 S	3/2004	Blomstrom
6,241,166 B1	6/2001	Overington et al.	6,701,953 B2	3/2004	Agosta
6,250,572 B1	6/2001	Chen	6,715,699 B1	4/2004	Greenberg et al.
D444,865 S	7/2001	Gottwald	6,719,218 B2	4/2004	Cool et al.
D445,871 S	7/2001	Fan	D489,798 S	5/2004	Hunt
6,254,014 B1	7/2001	Clearman et al.	D490,498 S	5/2004	Golichowski
6,270,278 B1	8/2001	Mauro	6,736,336 B2	5/2004	Wong
6,276,004 B1	8/2001	Bertrand et al.	6,739,523 B2	5/2004	Haverstraw et al.
6,283,447 B1	9/2001	Fleet	6,739,527 B1	5/2004	Chung
6,286,764 B1	9/2001	Garvey et al.	D492,004 S	6/2004	Haug et al.
D449,673 S	10/2001	Kollmann et al.	D492,007 S	6/2004	Kollmann et al.
D450,370 S	11/2001	Wales et al.	6,742,725 B1	6/2004	Fan
D450,805 S	11/2001	Lindholm et al.	D493,208 S	7/2004	Lin
D450,806 S	11/2001	Lindholm et al.	D493,864 S	8/2004	Haug et al.
D450,807 S	11/2001	Lindholm et al.	D494,655 S	8/2004	Lin
D451,169 S	11/2001	Lindholm et al.	D494,661 S	8/2004	Zieger et al.
D451,170 S	11/2001	Lindholm et al.	D495,027 S	8/2004	Mazzola
D451,171 S	11/2001	Lindholm et al.	6,776,357 B1	8/2004	Naito
D451,172 S	11/2001	Lindholm et al.	6,789,751 B1	9/2004	Fan
6,321,777 B1	11/2001	Wu	D496,987 S	10/2004	Glunk
6,322,006 B1	11/2001	Guo	D497,974 S	11/2004	Haug et al.
D451,583 S	12/2001	Lindholm et al.	D498,514 S	11/2004	Haug et al.
D451,980 S	12/2001	Lindholm et al.	D500,121 S	12/2004	Blomstrom
D452,553 S	12/2001	Lindholm et al.	D500,549 S	1/2005	Blomstrom
D452,725 S	1/2002	Lindholm et al.	D501,242 S	1/2005	Blomstrom
D452,897 S	1/2002	Gillette et al.	D502,760 S	3/2005	Zieger et al.
6,336,764 B1	1/2002	Liu	D502,761 S	3/2005	Zieger et al.
6,338,170 B1	1/2002	De Simone	D503,211 S	3/2005	Lin
D453,369 S	2/2002	Lobermeier	6,863,227 B2	3/2005	Wollenberg et al.
D453,370 S	2/2002	Lindholm et al.	6,869,030 B2	3/2005	Blessing et al.
D453,551 S	2/2002	Lindholm et al.	D503,774 S	4/2005	Zieger
6,349,735 B2	2/2002	Gul	D503,775 S	4/2005	Zieger
D454,617 S	3/2002	Curbbun et al.	D503,966 S	4/2005	Zieger
D454,938 S	3/2002	Lord	6,899,292 B2	5/2005	Titinet
6,375,342 B1	4/2002	Koren et al.	D506,243 S	6/2005	Wu
D457,937 S	5/2002	Lindholm et al.	D507,037 S	7/2005	Wu
6,382,531 B1	5/2002	Tracy	6,935,581 B2	8/2005	Titinet
D458,348 S	6/2002	Mullenmeister	D509,280 S	9/2005	Bailey et al.
6,412,711 B1	7/2002	Fan	D509,563 S	9/2005	Bailey et al.
D461,224 S	8/2002	Lobermeier	D510,123 S	9/2005	Tsai
D461,878 S	8/2002	Green et al.	D511,809 S	11/2005	Haug et al.
			D512,119 S	11/2005	Haug et al.
			6,981,661 B1	1/2006	Chen
			D516,169 S	2/2006	Wu
			7,000,854 B2	2/2006	Malek et al.

(56)

References Cited

U.S. PATENT DOCUMENTS

7,004,409 B2 2/2006 Okubo
 7,004,410 B2 2/2006 Li
 D520,109 S 5/2006 Wu
 7,040,554 B2 5/2006 Drennow
 7,048,210 B2 5/2006 Clark
 7,055,767 B1 6/2006 Ko
 7,070,125 B2 7/2006 Williams et al.
 7,077,342 B2 7/2006 Lee
 D527,440 S 8/2006 Macan
 7,093,780 B1 8/2006 Chung
 7,097,122 B1 8/2006 Farley
 D528,631 S 9/2006 Gillette et al.
 7,100,845 B1 9/2006 Hsieh
 7,111,795 B2 9/2006 Thong
 7,111,798 B2 9/2006 Thomas et al.
 D530,389 S 10/2006 Genslak et al.
 D530,392 S 10/2006 Tse
 D531,259 S 10/2006 Hsieh
 7,114,666 B2 10/2006 Luetttgen et al.
 D533,253 S 12/2006 Luetttgen et al.
 D534,239 S 12/2006 Dingler et al.
 D535,354 S 1/2007 Wu
 D536,060 S 1/2007 Sadler
 7,156,325 B1 1/2007 Chen
 D538,391 S 3/2007 Mazzola
 D540,424 S 4/2007 Kirar
 D540,425 S 4/2007 Endo et al.
 D540,426 S 4/2007 Cropelli
 D540,427 S 4/2007 Bouroullec et al.
 D542,391 S 5/2007 Gilbert
 D542,393 S 5/2007 Haug et al.
 7,229,031 B2 6/2007 Schmidt
 7,243,863 B2 7/2007 Glunk
 7,246,760 B2 7/2007 Marty et al.
 D552,713 S 10/2007 Rexach
 7,278,591 B2 10/2007 Clearman et al.
 D556,295 S 11/2007 Genord et al.
 7,299,510 B2 11/2007 Tsai
 D557,763 S 12/2007 Schonherr et al.
 D557,764 S 12/2007 Schonherr et al.
 D557,765 S 12/2007 Schonherr et al.
 D558,301 S 12/2007 Hoernig
 7,303,151 B2 12/2007 Wu
 D559,357 S 1/2008 Wang et al.
 D559,945 S 1/2008 Patterson et al.
 D560,269 S 1/2008 Tse
 D562,937 S 2/2008 Schonherr et al.
 D562,938 S 2/2008 Blessing
 D562,941 S 2/2008 Pan
 7,331,536 B1 2/2008 Zhen et al.
 7,347,388 B2 3/2008 Chung
 D565,699 S 4/2008 Berberet
 D565,702 S 4/2008 Daunter et al.
 D565,703 S 4/2008 Lammel et al.
 D566,228 S 4/2008 Neagoe
 D566,229 S 4/2008 Rexach
 D567,328 S 4/2008 Spangler et al.
 D567,335 S * 4/2008 Huang D23/229
 7,360,723 B2 4/2008 Lev
 7,364,097 B2 4/2008 Okuma
 7,374,112 B1 5/2008 Bulan et al.
 7,384,007 B2 6/2008 Ho
 D577,099 S 9/2008 Leber
 D577,793 S 9/2008 Leber
 D578,608 S * 10/2008 Wu et al. D23/229
 D580,012 S 11/2008 Quinn et al.
 D580,513 S 11/2008 Quinn et al.
 D581,013 S 11/2008 Citterio
 D581,014 S 11/2008 Quinn et al.
 D586,426 S * 2/2009 Schoenherr et al. D23/213
 7,503,345 B2 3/2009 Paterson et al.
 D590,048 S 4/2009 Leber et al.
 7,520,448 B2 4/2009 Luetttgen et al.
 D592,276 S 5/2009 Schoenherr et al.
 D592,278 S 5/2009 Leber

7,533,906 B2 5/2009 Luetttgen et al.
 7,537,175 B2 5/2009 Miura et al.
 D600,777 S 9/2009 Whitaker et al.
 D603,935 S 11/2009 Leber
 7,617,990 B2 11/2009 Huffman
 D605,731 S 12/2009 Leber
 D606,623 S 12/2009 Whitaker et al.
 D608,412 S 1/2010 Barnard et al.
 D608,413 S 1/2010 Barnard et al.
 D616,061 S 5/2010 Whitaker et al.
 7,721,979 B2 5/2010 Mazzola
 7,740,186 B2 6/2010 Macan et al.
 D621,904 S 8/2010 Yoo et al.
 D621,905 S 8/2010 Yoo et al.
 7,770,820 B2 8/2010 Clearman et al.
 7,770,822 B2 8/2010 Leber
 D624,156 S 9/2010 Leber
 7,789,326 B2 9/2010 Luetttgen et al.
 D625,776 S 10/2010 Williams
 7,832,662 B2 11/2010 Gallo
 D628,676 S 12/2010 Lee
 D629,867 S 12/2010 Rexach et al.
 D641,831 S 7/2011 Williams
 8,020,787 B2 9/2011 Leber
 8,020,788 B2 9/2011 Luetttgen et al.
 8,024,822 B2 9/2011 Macan et al.
 8,028,935 B2 10/2011 Leber
 D652,114 S * 1/2012 Yoo D23/229
 8,109,450 B2 2/2012 Luetttgen et al.
 D656,582 S * 3/2012 Flowers et al. D23/213
 8,132,745 B2 3/2012 Leber et al.
 8,146,838 B2 4/2012 Luetttgen et al.
 D669,158 S * 10/2012 Flowers et al. D23/229
 8,292,200 B2 10/2012 Macan et al.
 D673,649 S 1/2013 Quinn et al.
 D674,050 S 1/2013 Quinn et al.
 8,348,181 B2 1/2013 Whitaker
 D678,463 S 3/2013 Quinn et al.
 D678,467 S 3/2013 Quinn et al.
 2002/0109023 A1 8/2002 Thomas et al.
 2003/0062426 A1 4/2003 Gregory et al.
 2003/0121993 A1 7/2003 Haverstraw et al.
 2004/0074993 A1 4/2004 Thomas et al.
 2004/0118949 A1 6/2004 Marks
 2004/0217209 A1 11/2004 Bui
 2004/0244105 A1 12/2004 Tsai
 2005/0001072 A1 1/2005 Bolus et al.
 2005/0284967 A1 12/2005 Korb
 2006/0016908 A1 1/2006 Chung
 2006/0016913 A1 1/2006 Lo
 2006/0102747 A1 5/2006 Ho
 2006/0163391 A1 7/2006 Schorn
 2006/0219822 A1 10/2006 Miller et al.
 2007/0040054 A1 2/2007 Farzan
 2007/0200013 A1 8/2007 Hsiao
 2007/0246577 A1 10/2007 Leber
 2007/0252021 A1 11/2007 Cristina
 2007/0272770 A1 11/2007 Leber et al.
 2008/0073449 A1 3/2008 Haynes et al.
 2008/0083844 A1 4/2008 Leber et al.
 2008/0121293 A1 5/2008 Leber et al.
 2008/0156897 A1 7/2008 Leber
 2008/0223957 A1 9/2008 Schorn
 2008/0272591 A1 11/2008 Leber
 2009/0200404 A1 8/2009 Cristina
 2009/0218420 A1 9/2009 Mazzola
 2009/0307836 A1 12/2009 Blattner et al.
 2010/0127096 A1 5/2010 Leber
 2011/0000983 A1 1/2011 Chang
 2011/0011953 A1 1/2011 Macan et al.
 2011/0121098 A1 5/2011 Luetttgen et al.
 2012/0048968 A1 3/2012 Williams
 2013/0147186 A1 6/2013 Leber

FOREIGN PATENT DOCUMENTS

CH 234284 3/1963
 DE 352813 5/1922
 DE 848627 9/1952

(56)

References Cited

FOREIGN PATENT DOCUMENTS

DE	854100	10/1952
DE	2360534	6/1974
DE	2806093	8/1979
DE	3107808	9/1982
DE	3246327	6/1984
DE	3440901	7/1985
DE	3706320	3/1988
DE	8804236	6/1988
DE	4034695	5/1991
DE	19608085	9/1996
DE	202005000881	3/2005
DE	102006032017	1/2008
EP	0167063	6/1985
EP	0478999	4/1992
EP	0514753	11/1992
EP	0435030	7/1993
EP	0617644	10/1994
EP	0683354	11/1995
EP	0687851	12/1995
EP	0695907	2/1996
EP	0700729	3/1996
EP	0719588	7/1996
EP	0721082	7/1996
EP	0733747	9/1996
EP	0808661	11/1997
EP	0726811	1/1998
EP	2164642	10/2010
EP	2260945	12/2010
FR	538538	6/1922
FR	873808	7/1942
FR	1039750	10/1953
FR	1098836	8/1955
FR	2596492	10/1987
FR	2695452	3/1994
GB	3314	0/1914

GB	10086	0/1894
GB	129812	7/1919
GB	204600	10/1923
GB	634483	3/1950
GB	971866	10/1964
GB	1111126	4/1968
GB	2066074	1/1980
GB	2066704	7/1981
GB	2068778	8/1981
GB	2121319	12/1983
GB	2155984	10/1985
GB	2156932 A	10/1985
GB	2199771	7/1988
GB	2298595	11/1996
GB	2337471	11/1999
IT	327400	7/1935
IT	350359	7/1937
IT	563459	5/1957
JP	S63-181459	11/1988
JP	H2-78660	6/1990
JP	4062238	2/1992
JP	4146708	5/1992
NL	8902957	6/1991
WO	WO93/12894	7/1993
WO	WO93/25839	12/1993
WO	WO96/00617	1/1996
WO	WO98/30336	7/1998
WO	WO99/59726	11/1999
WO	WO00/10720	3/2000
WO	WO2010/004593	1/2010

OTHER PUBLICATIONS

Color Copy, Labeled 1A, Gemlo, available at least as early as Dec. 2, 1998.

Color Copy, Labeled 1B, Gemlo, available at least as early as Dec. 2, 1998.

* cited by examiner

FIG. 1

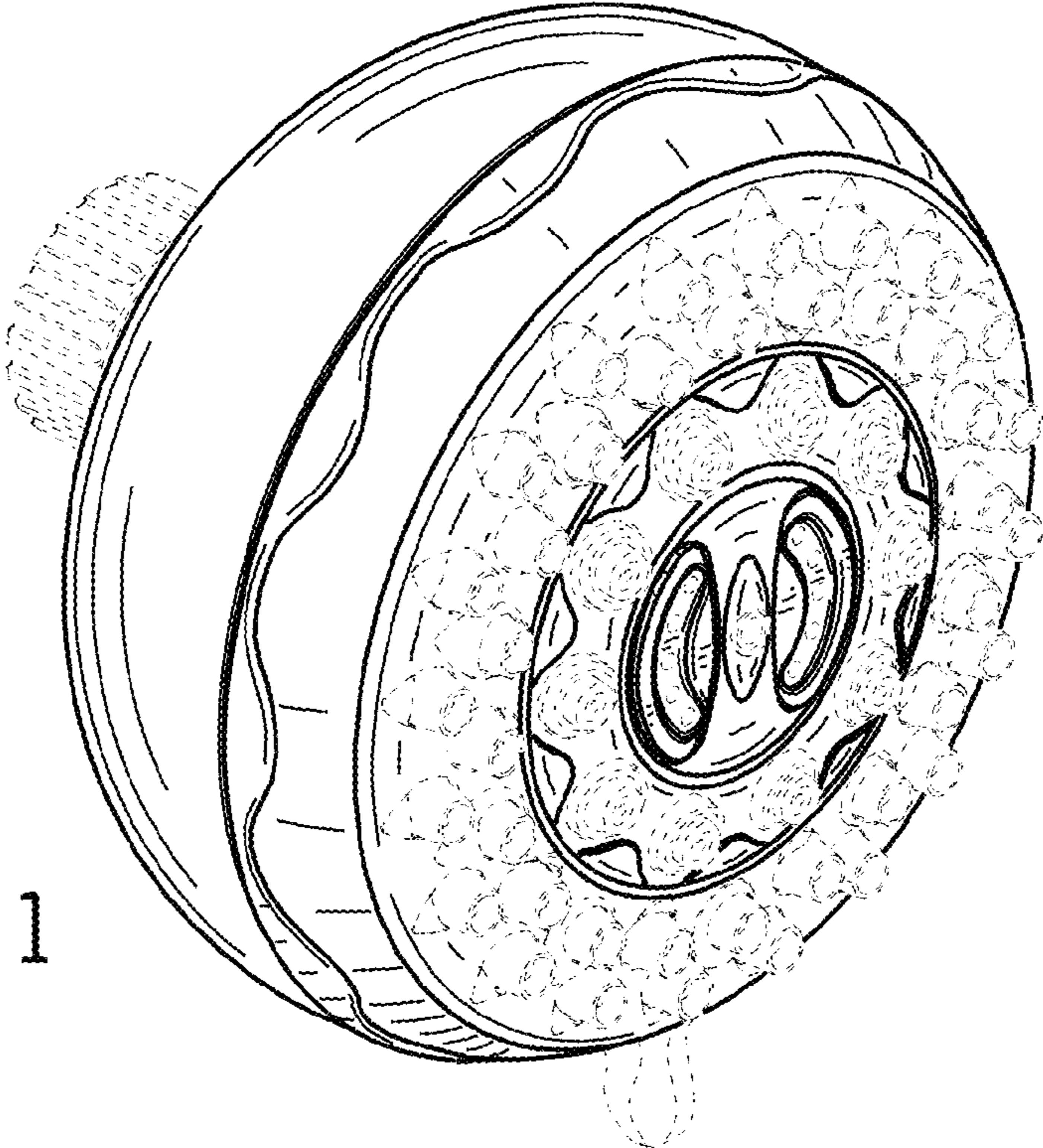
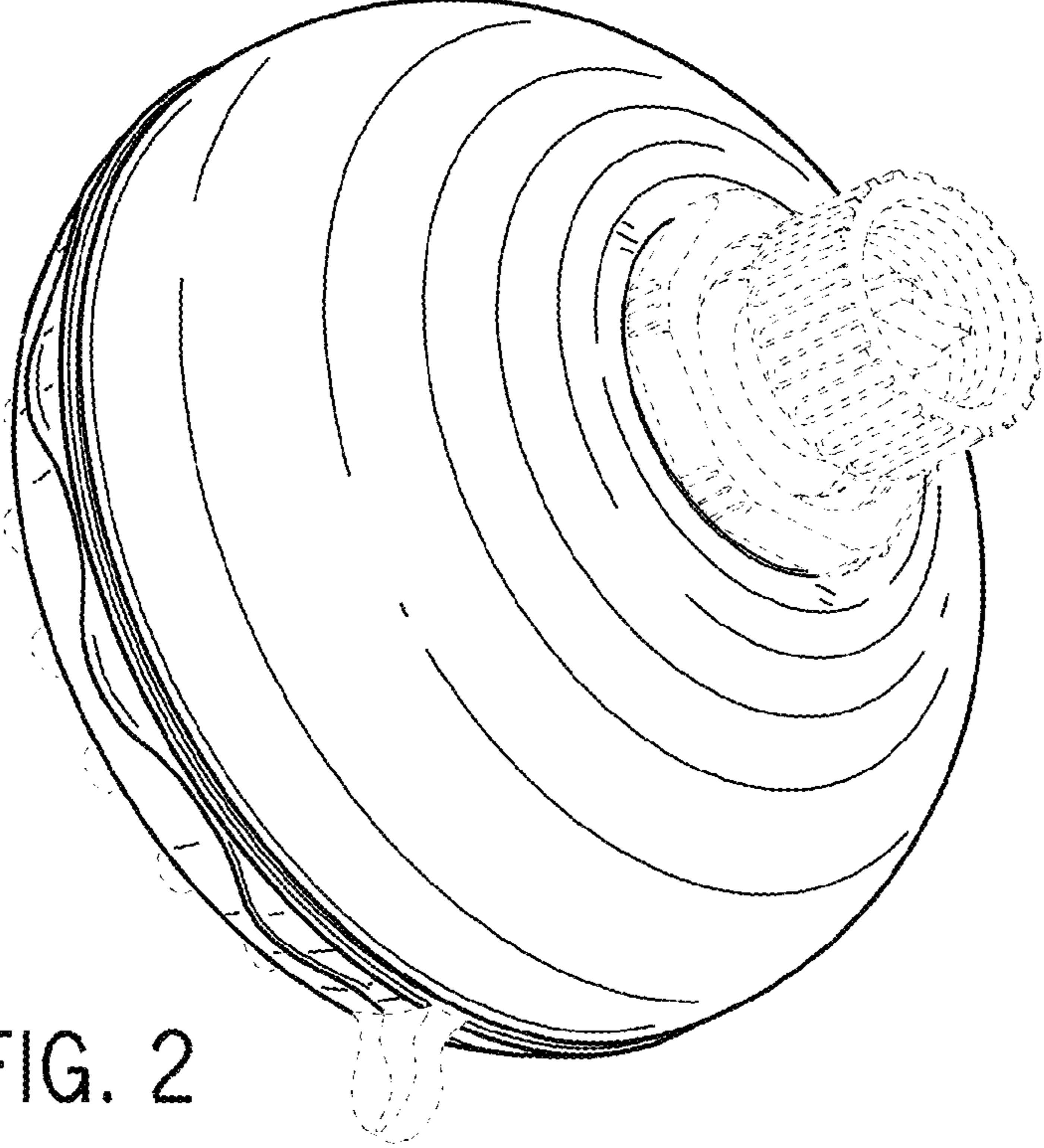


FIG. 2



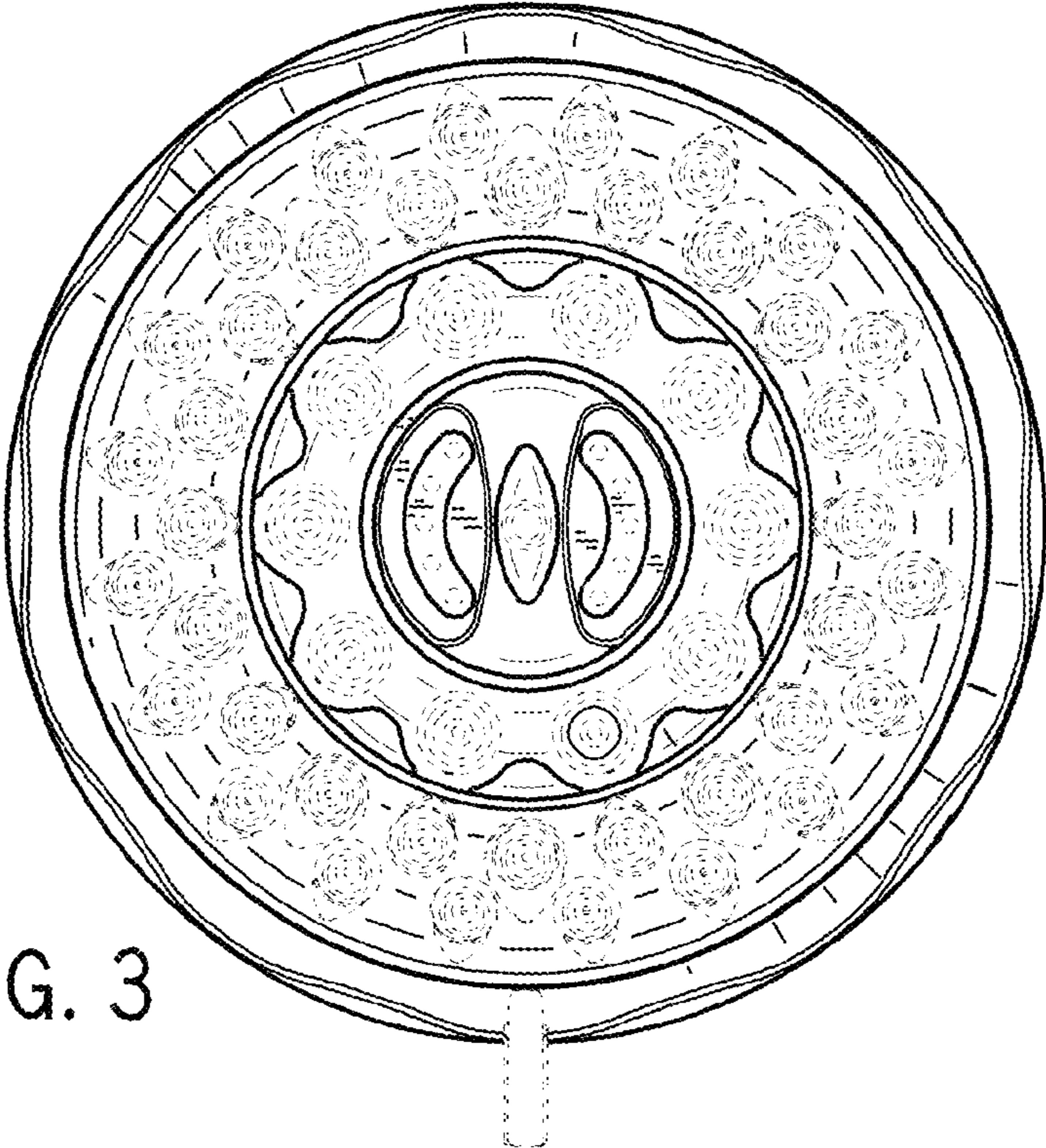


FIG. 3

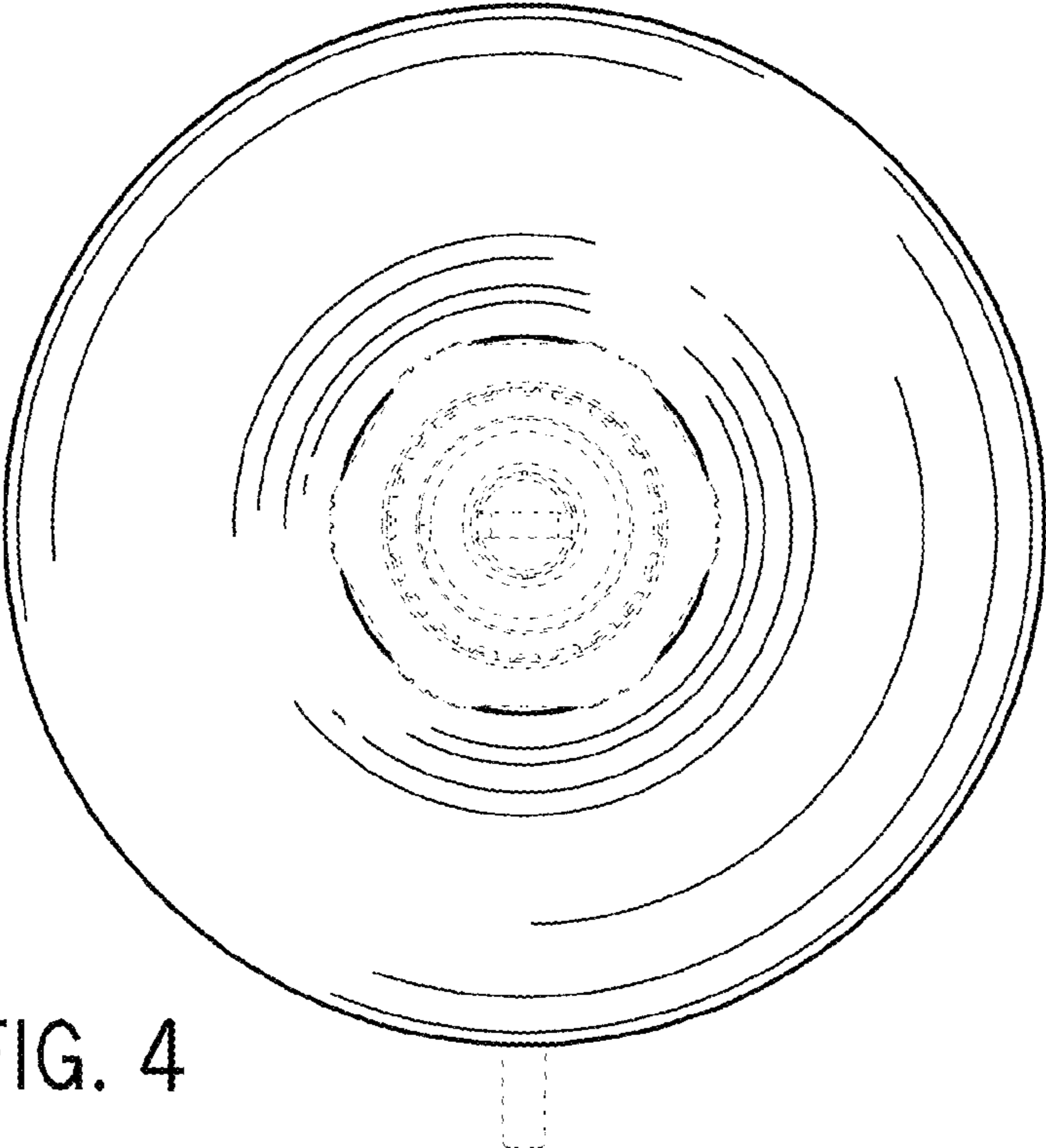


FIG. 4

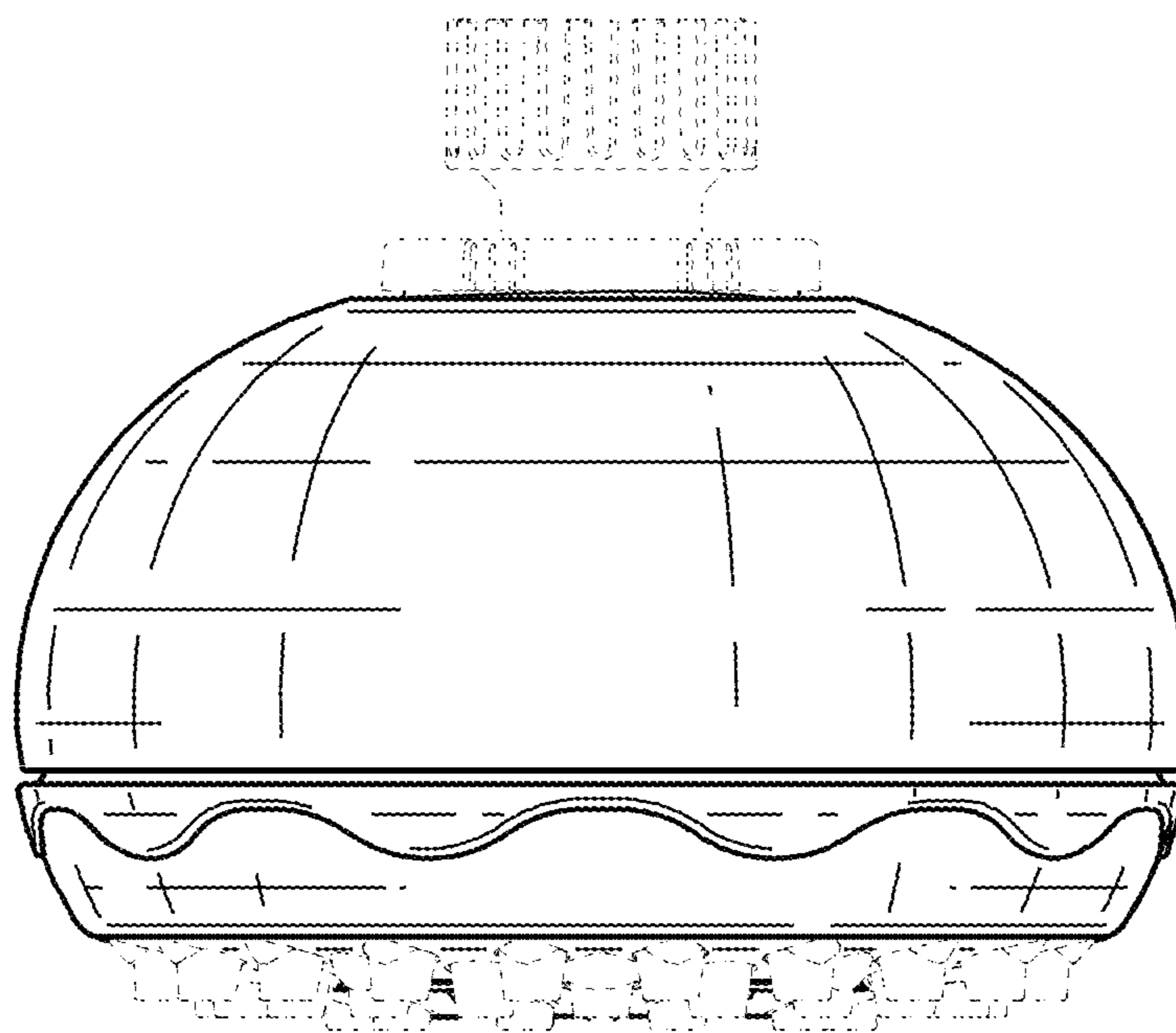


FIG. 5

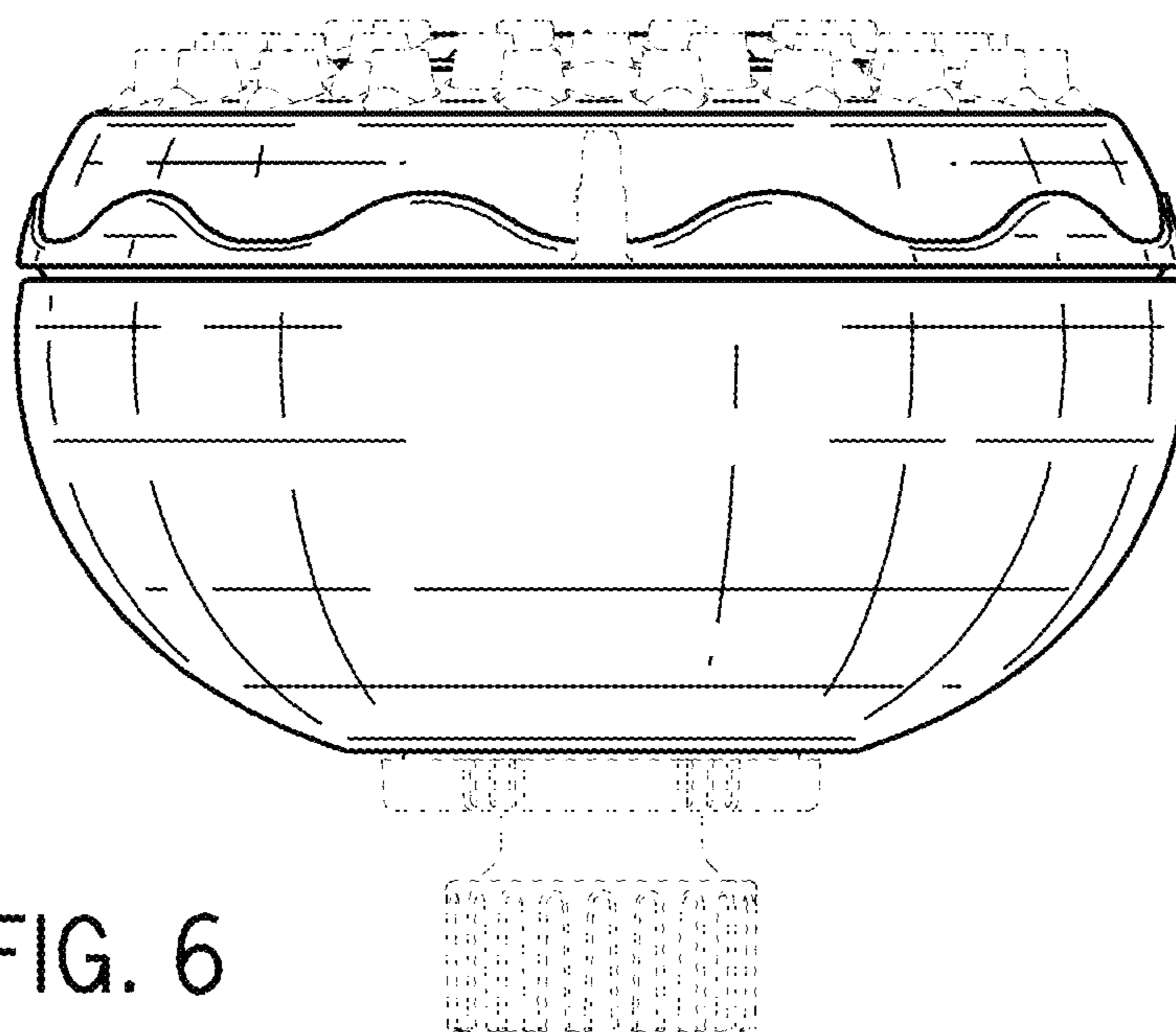


FIG. 6

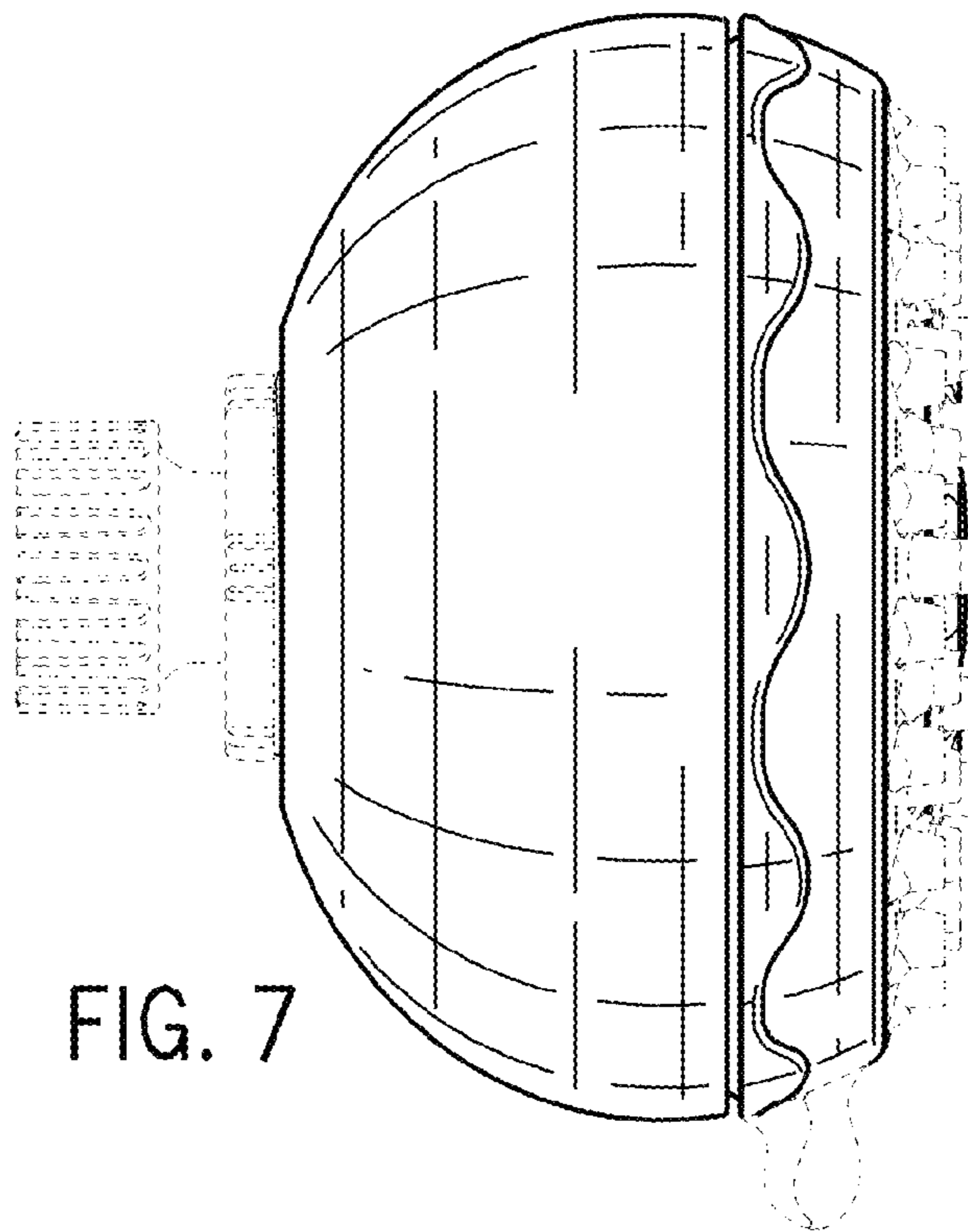


FIG. 7

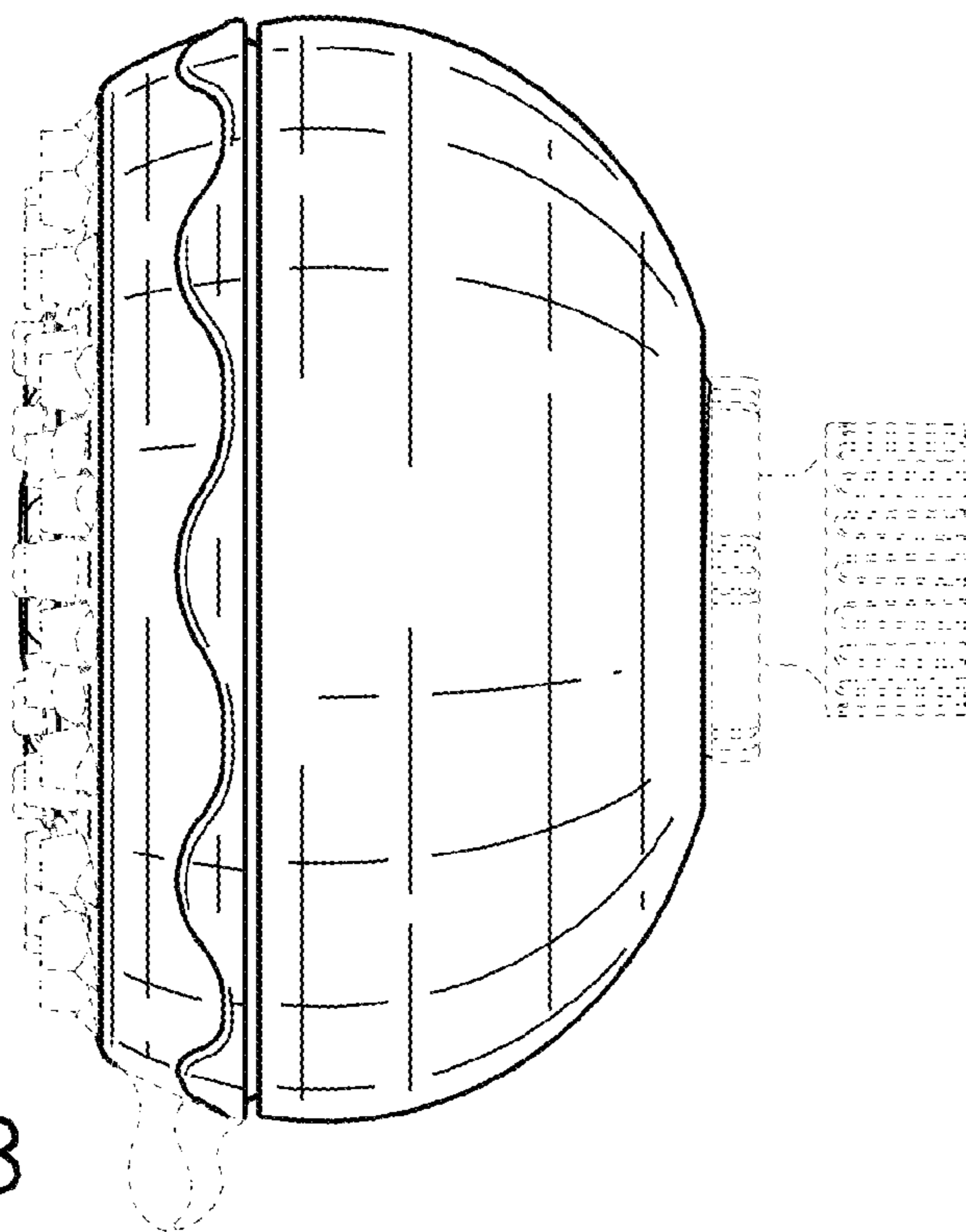


FIG. 8