



US00D744065S

(12) **United States Design Patent**  
**Peterson et al.**

(10) **Patent No.:** **US D744,065 S**

(45) **Date of Patent:** **\*\* Nov. 24, 2015**

(54) **HANDHELD SHOWERHEAD**

FOREIGN PATENT DOCUMENTS

(71) Applicant: **WATER PIK, INC.**, Fort Collins, CO  
(US)

CA 659510 3/1963  
CA 2341041 8/1999

(Continued)

(72) Inventors: **Preston Peterson**, Loveland, CO (US);  
**Zuqiang Zhuang**, Xiamen (CN)

OTHER PUBLICATIONS

(73) Assignee: **WATER PIK, INC.**, Fort Collins, CO  
(US)

Author Unknown, "Flipside: The Bold Look of Kohler," 1 page, at least as early as Jun. 2011.

(Continued)

(\*\*) Term: **14 Years**

*Primary Examiner* — Robin V Webster

(21) Appl. No.: **29/493,889**

(74) *Attorney, Agent, or Firm* — Dorsey & Whitney LLP

(22) Filed: **Jun. 13, 2014**

(51) **LOC (10) Cl.** ..... **23-01**

(57) **CLAIM**

(52) **U.S. Cl.**

We claim the ornamental design for a handheld showerhead, as shown and described.

USPC ..... **D23/223**

(58) **Field of Classification Search**

USPC ..... D23/213, 223, 229, 230; 239/282, 283,  
239/461, 462

CPC ..... B05B 1/00; B05B 1/18

See application file for complete search history.

**DESCRIPTION**

(56) **References Cited**

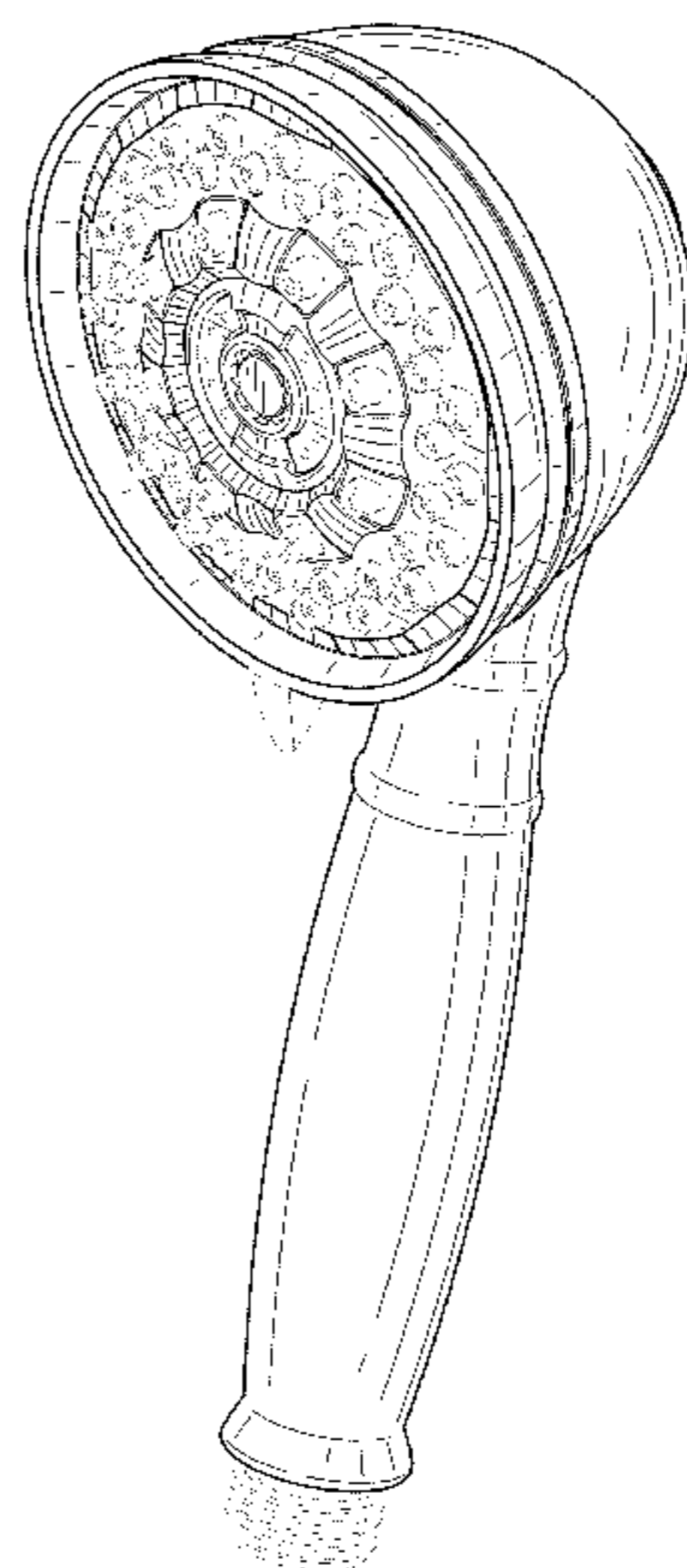
U.S. PATENT DOCUMENTS

203,094	A	4/1878	Wakeman
204,333	A	5/1878	Josias
309,349	A	12/1884	Hart
428,023	A	5/1890	Schoff
432,712	A	7/1890	Taylor
445,250	A	1/1891	Lawless
453,109	A	5/1891	Dreisorner
486,986	A	11/1892	Schinke
566,384	A	8/1896	Engelhart
566,410	A	8/1896	Schinke
570,405	A	10/1896	Jerguson et al.
694,888	A	3/1902	Pflugger
800,802	A	10/1905	Franquist
832,523	A	10/1906	Andersson
835,678	A	11/1906	Hammond

(Continued)

FIG. 1 is a front isometric view of a handheld showerhead.  
 FIG. 2 is a rear isometric view of the handheld showerhead of FIG. 1.  
 FIG. 3 is a front elevation view of the handheld showerhead of FIG. 1.  
 FIG. 4 is a rear elevation view of the handheld showerhead of FIG. 1.  
 FIG. 5 is a top plan view of the handheld showerhead of FIG. 1.  
 FIG. 6 is a bottom plan view of the handheld showerhead of FIG. 1.  
 FIG. 7 is a left-side elevation view of the handheld showerhead of FIG. 1; and,  
 FIG. 8 is a right-side elevation view of the handheld showerhead of FIG. 1.  
 The broken lines, which define the bounds of the claimed design, form no part of the claimed design.

**1 Claim, 7 Drawing Sheets**



(56)

## References Cited

## U.S. PATENT DOCUMENTS

845,540 A	2/1907	Ferguson	2,949,242 A	8/1960	Blumberg et al.
854,094 A	5/1907	Klein	2,957,587 A	10/1960	Tobin
926,929 A	7/1909	Dusseau	2,966,311 A	12/1960	Davis
1,001,842 A	8/1911	Greenfield	D190,295 S	5/1961	Becker
1,003,037 A	9/1911	Crowe	2,992,437 A	7/1961	Nelson et al.
1,018,143 A	2/1912	Vissering	3,007,648 A	11/1961	Fraser
1,046,573 A	12/1912	Ellis	D192,935 S	5/1962	Becker
1,130,520 A	3/1915	Kenney	3,032,357 A	5/1962	Shames et al.
1,203,466 A	10/1916	Benson	3,034,809 A	5/1962	Greenberg
1,217,254 A	2/1917	Winslow	3,037,799 A	6/1962	Mulac
1,218,895 A	3/1917	Porter	3,081,339 A	3/1963	Green et al.
1,255,577 A	2/1918	Berry	3,092,333 A	6/1963	Gaiotto
1,260,181 A	3/1918	Garnero	3,098,508 A	7/1963	Gerdes
1,276,117 A	8/1918	Riebe	3,103,723 A	9/1963	Becker
1,284,099 A	11/1918	Harris	3,104,815 A	9/1963	Schultz
1,327,428 A	1/1920	Gregory	3,104,827 A	9/1963	Aghnides
1,451,800 A	4/1923	Agner	3,111,277 A	11/1963	Grimsley
1,459,582 A	6/1923	Dubee	3,112,073 A	11/1963	Larson et al.
1,469,528 A	10/1923	Owens	3,143,857 A	8/1964	Eaton
1,500,921 A	7/1924	Bramson et al.	3,196,463 A	7/1965	Farneth
1,560,789 A	11/1925	Johnson et al.	3,231,200 A	1/1966	Heald
1,597,477 A	8/1926	Panhorst	3,236,545 A	2/1966	Parkes et al.
1,633,531 A	6/1927	Keller	3,239,152 A	3/1966	Bachli et al.
1,692,394 A	11/1928	Sundh	3,266,059 A	8/1966	Stelle
1,695,263 A	12/1928	Jacques	3,272,437 A	9/1966	Coson
1,724,147 A	8/1929	Russell	3,273,359 A	9/1966	Fregeolle
1,724,161 A	8/1929	Wuesthoff	3,306,634 A	2/1967	Groves et al.
1,736,160 A	11/1929	Jonsson	3,323,148 A	6/1967	Burnon
1,754,127 A	4/1930	Srulowitz	3,329,967 A	7/1967	Martinez et al.
1,758,115 A	5/1930	Kelly	3,341,132 A	9/1967	Parkison
1,778,658 A	10/1930	Baker	3,342,419 A	9/1967	Weese
1,821,274 A	9/1931	Plummer	3,344,994 A	10/1967	Fife
1,849,517 A	3/1932	Fraser	3,363,842 A	1/1968	Burns
1,890,156 A	12/1932	Konig	3,383,051 A	5/1968	Fiorentino
1,906,575 A	5/1933	Goeriz	3,389,925 A	6/1968	Gottschald
1,934,553 A	11/1933	Mueller et al.	3,393,311 A	7/1968	Dahl
1,946,207 A	2/1934	Haire	3,393,312 A	7/1968	Dahl
2,011,446 A	8/1935	Judell	3,404,410 A	10/1968	Sumida
2,024,930 A	12/1935	Judell	3,492,029 A	1/1970	French et al.
2,033,467 A	3/1936	Groeniger	3,516,611 A	6/1970	Piggott
2,044,445 A	6/1936	Price et al.	3,546,961 A	12/1970	Marion
2,085,854 A	7/1937	Hathaway et al.	3,550,863 A	12/1970	McDermott
2,096,912 A	10/1937	Morris	3,552,436 A	1/1971	Stewart
2,117,152 A	5/1938	Crosti	3,565,116 A	2/1971	Gabin
D113,439 S	2/1939	Reinecke	3,566,917 A	3/1971	White
2,196,783 A	4/1940	Shook	3,580,513 A	5/1971	Martin
2,197,667 A	4/1940	Shook	3,584,822 A	6/1971	Oram
2,216,149 A	10/1940	Weiss	3,596,835 A	8/1971	Smith et al.
D126,433 S	4/1941	Enthof	3,612,577 A	10/1971	Pope
2,251,192 A	7/1941	Krumsiek et al.	3,637,143 A	1/1972	Shames et al.
2,268,263 A	12/1941	Newell et al.	3,641,333 A	2/1972	Gendron
2,285,831 A	6/1942	Pennypacker	3,647,144 A	3/1972	Parkison et al.
2,342,757 A	2/1944	Roser	3,663,044 A	5/1972	Contreras et al.
2,402,741 A	6/1946	Draviner	3,669,470 A	6/1972	Deurloo
D147,258 S	8/1947	Becker	3,672,648 A	6/1972	Price
D152,584 S	2/1949	Becker	3,682,392 A	8/1972	Kint
2,467,954 A	4/1949	Becker	3,685,745 A	8/1972	Peschcke-Koedt
2,546,348 A	3/1951	Schuman	D224,834 S	9/1972	Laudell
2,567,642 A	9/1951	Penshaw	3,711,029 A	1/1973	Bartlett
2,581,129 A	1/1952	Muldoon	3,722,798 A	3/1973	Bletcher et al.
D166,073 S	3/1952	Dunkelberger	3,722,799 A	3/1973	Rauh
2,648,762 A	8/1953	Dunkelberger	3,731,084 A	5/1973	Trevorrow
2,664,271 A	12/1953	Arutunoff	3,754,779 A	8/1973	Peress
2,671,693 A	3/1954	Hyser et al.	D228,622 S	10/1973	Juhlin
2,676,806 A	4/1954	Bachman	3,762,648 A	10/1973	Deines et al.
2,679,575 A	5/1954	Haberstump	3,768,735 A	10/1973	Ward
2,680,358 A	6/1954	Zublin	3,786,995 A	1/1974	Manoogian et al.
2,726,120 A	12/1955	Bletcher et al.	3,801,019 A	4/1974	Trenary et al.
2,759,765 A	8/1956	Pawley	3,810,580 A	5/1974	Rauh
2,776,168 A	1/1957	Schweda	3,826,454 A	7/1974	Zieger
2,792,847 A	5/1957	Spencer	3,840,734 A	10/1974	Oram
2,873,999 A	2/1959	Webb	3,845,291 A	10/1974	Portyrata
2,930,505 A	3/1960	Meyer	3,860,271 A	1/1975	Rodgers
2,931,672 A	4/1960	Merritt et al.	3,861,719 A	1/1975	Hand
2,935,265 A	5/1960	Richter	3,865,310 A	2/1975	Elkins et al.
			3,869,151 A	3/1975	Fletcher et al.
			3,896,845 A	7/1975	Parker
			3,902,671 A	9/1975	Symmons
			3,910,277 A	10/1975	Zimmer

(56)

## References Cited

## U.S. PATENT DOCUMENTS

D237,708 S	11/1975	Grohe	4,467,964 A	8/1984	Kaeser
3,929,164 A	12/1975	Richter	4,495,550 A	1/1985	Visciano
3,929,287 A	12/1975	Givler et al.	4,527,745 A	7/1985	Butterfield et al.
3,958,756 A	5/1976	Trenary et al.	4,540,202 A	9/1985	Amphoux et al.
D240,322 S	6/1976	Staub	4,545,081 A	10/1985	Nestor et al.
3,963,179 A	6/1976	Tomaro	4,553,775 A	11/1985	Halling
3,967,783 A	7/1976	Halsted et al.	D281,820 S	12/1985	Oba et al.
3,979,096 A	9/1976	Zieger	4,561,593 A	12/1985	Cammack et al.
3,997,116 A	12/1976	Moen	4,564,889 A	1/1986	Bolson
3,998,390 A	12/1976	Peterson et al.	4,571,003 A	2/1986	Roling et al.
3,999,714 A	12/1976	Lang	4,572,232 A	2/1986	Gruber
4,005,880 A	2/1977	Anderson et al.	D283,645 S	4/1986	Tanaka
4,006,920 A	2/1977	Sadler et al.	4,587,991 A	5/1986	Chorkey
4,023,782 A	5/1977	Eifer	4,588,130 A	5/1986	Trenary et al.
4,042,984 A	8/1977	Butler	4,598,866 A	7/1986	Cammack et al.
4,045,054 A	8/1977	Arnold	4,614,303 A	9/1986	Moseley, Jr. et al.
D245,858 S	9/1977	Grube	4,616,298 A	10/1986	Bolson
D245,860 S	9/1977	Grube	4,618,100 A	10/1986	White et al.
4,068,801 A	1/1978	Leutheuser	4,629,124 A	12/1986	Gruber
4,081,135 A	3/1978	Tomaro	4,629,125 A	12/1986	Liu
4,084,271 A	4/1978	Ginsberg	4,643,463 A	2/1987	Halling et al.
4,091,998 A	5/1978	Peterson	4,645,244 A	2/1987	Curtis
D249,356 S	9/1978	Nagy	RE32,386 E	3/1987	Hunter
4,117,979 A	10/1978	Lagarelli et al.	4,650,120 A	3/1987	Kress
4,129,257 A	12/1978	Eggert	4,650,470 A	3/1987	Epstein
4,130,120 A	12/1978	Kohler, Jr.	4,652,025 A	3/1987	Conroy, Sr.
4,131,233 A	12/1978	Koenig	4,654,900 A	4/1987	McGhee
4,133,486 A	1/1979	Fanella	4,657,185 A	4/1987	Rundzaitis
4,135,549 A	1/1979	Baker	4,669,666 A	6/1987	Finkbeiner
D251,045 S	2/1979	Grube	4,669,757 A	6/1987	Bartholomew
4,141,502 A	2/1979	Grohe	4,674,687 A	6/1987	Smith et al.
4,151,955 A	5/1979	Stouffer	4,683,917 A	8/1987	Bartholomew
4,151,957 A	5/1979	Gecewicz et al.	4,703,893 A	11/1987	Gruber
4,162,801 A	7/1979	Kresky et al.	4,717,180 A	1/1988	Roman
4,165,837 A	8/1979	Rundzaitis	4,719,654 A	1/1988	Blessing
4,167,196 A	9/1979	Morris	4,733,337 A	3/1988	Bieberstein
4,174,822 A	11/1979	Larsson	D295,437 S	4/1988	Fabian
4,185,781 A	1/1980	O'Brien	4,739,801 A	4/1988	Kimura et al.
4,190,207 A	2/1980	Fienhold et al.	4,749,126 A	6/1988	Kessener et al.
4,191,332 A	3/1980	De Langis et al.	D296,582 S	7/1988	Haug et al.
4,203,550 A	5/1980	On	4,754,928 A	7/1988	Rogers et al.
4,209,132 A	6/1980	Kwan	D297,160 S	8/1988	Robbins
D255,626 S	7/1980	Grube	4,764,047 A	8/1988	Johnston et al.
4,219,160 A	8/1980	Allred, Jr.	4,778,104 A	10/1988	Fisher
4,221,338 A	9/1980	Shames et al.	4,787,591 A	11/1988	Villacorta
4,239,409 A	12/1980	Osrwo	4,790,294 A	12/1988	Allred, III et al.
4,243,253 A	1/1981	Rogers, Jr.	4,801,091 A	1/1989	Sandvik
4,244,526 A	1/1981	Arth	4,809,369 A	3/1989	Bowden
D258,677 S	3/1981	Larsson	4,839,599 A	6/1989	Fischer
4,254,914 A	3/1981	Shames et al.	4,841,590 A	6/1989	Terry
4,258,414 A	3/1981	Sokol	4,842,059 A	6/1989	Tomek
4,272,022 A	6/1981	Evans	D302,325 S	7/1989	Charet et al.
4,274,400 A	6/1981	Baus	4,850,616 A	7/1989	Pava
4,282,612 A	8/1981	King	4,854,499 A	8/1989	Neuman
D261,300 S	10/1981	Klose	4,856,822 A	8/1989	Parker
D261,417 S	10/1981	Klose	4,865,362 A	9/1989	Holden
4,303,201 A	12/1981	Elkins et al.	D303,830 S	10/1989	Ramsey et al.
4,319,608 A	3/1982	Raikov et al.	4,871,196 A	10/1989	Kingsford
4,330,089 A	5/1982	Finkbeiner	4,896,658 A	1/1990	Yonekubo et al.
D266,212 S	9/1982	Haug et al.	D306,351 S	2/1990	Charet et al.
4,350,298 A	9/1982	Tada	4,901,927 A	2/1990	Valdivia
4,353,508 A	10/1982	Butterfield et al.	4,903,178 A	2/1990	Englot et al.
4,358,056 A	11/1982	Greenhut et al.	4,903,897 A	2/1990	Hayes
D267,582 S	1/1983	Mackay et al.	4,903,922 A	2/1990	Harris, III
D268,359 S	3/1983	Klose	4,907,137 A	3/1990	Schladitz et al.
D268,442 S	3/1983	Darmon	4,907,744 A	3/1990	Jousson
D268,611 S	4/1983	Klose	4,909,435 A	3/1990	Kidouchi et al.
4,383,554 A	5/1983	Merriman	4,914,759 A	4/1990	Goff
4,396,797 A	8/1983	Sakuragi et al.	4,946,202 A	8/1990	Perricone
4,398,669 A	8/1983	Fienhold	4,951,329 A	8/1990	Shaw
4,425,965 A	1/1984	Bayh, III et al.	4,953,585 A	9/1990	Rollini et al.
4,432,392 A	2/1984	Paley	4,964,573 A	10/1990	Lipski
D274,457 S	6/1984	Haug	4,972,048 A	11/1990	Martin
4,461,052 A	7/1984	Mostul	D313,267 S	12/1990	Lenci et al.
4,465,308 A	8/1984	Martini	4,976,460 A	12/1990	Newcombe et al.
			D314,246 S	1/1991	Bache
			D315,191 S	3/1991	Mikol
			4,998,673 A	3/1991	Pilolla
			5,004,158 A	4/1991	Halem et al.

(56)

## References Cited

## U.S. PATENT DOCUMENTS

D317,348 S	6/1991	Geneve et al.	5,265,833 A	11/1993	Heimann et al.
5,020,570 A	6/1991	Cotter	5,268,826 A	12/1993	Greene
5,022,103 A	6/1991	Faist	5,276,596 A	1/1994	Krenzel
5,032,015 A	7/1991	Christianson	5,277,391 A	1/1994	Haug et al.
5,033,528 A	7/1991	Volcani	5,286,071 A	2/1994	Storage
5,033,897 A	7/1991	Chen	5,288,110 A	2/1994	Allread
D319,294 S	8/1991	Kohler, Jr. et al.	5,294,054 A	3/1994	Benedict et al.
D320,064 S	9/1991	Presman	5,297,735 A	3/1994	Heimann et al.
5,046,764 A	9/1991	Kimura et al.	5,297,739 A	3/1994	Allen
D321,062 S	10/1991	Bonbright	D345,811 S	4/1994	Van Deursen et al.
5,058,804 A	10/1991	Yonekubo et al.	D346,426 S	4/1994	Warshawsky
D322,119 S	12/1991	Haug et al.	D346,428 S	4/1994	Warshawsky
D322,681 S	12/1991	Yuen	D346,430 S	4/1994	Warshawsky
5,070,552 A	12/1991	Gentry et al.	D347,262 S	5/1994	Black et al.
D323,545 S	1/1992	Ward	D347,265 S	5/1994	Gottwald
5,082,019 A	1/1992	Tetrault	5,316,216 A	5/1994	Cammack et al.
5,086,878 A	2/1992	Swift	D348,720 S	7/1994	Haug et al.
5,090,624 A	2/1992	Rogers	5,329,650 A	7/1994	Zaccai et al.
5,100,055 A	3/1992	Rokitenetz et al.	D349,947 S	8/1994	Hing-Wah
D325,769 S	4/1992	Haug et al.	5,333,787 A	8/1994	Smith et al.
D325,770 S	4/1992	Haug et al.	5,333,789 A	8/1994	Garneys
5,103,384 A	4/1992	Drohan	5,340,064 A	8/1994	Heimann et al.
D326,311 S	5/1992	Lenci et al.	5,340,165 A	8/1994	Sheppard
D327,115 S	6/1992	Rogers	D350,808 S	9/1994	Warshawsky
5,121,511 A	6/1992	Sakamoto et al.	5,344,080 A	9/1994	Matsui
D327,729 S	7/1992	Rogers	5,349,987 A	9/1994	Shieh
5,127,580 A	7/1992	Fu-I	5,356,076 A	10/1994	Bishop
5,134,251 A	7/1992	Martin	5,356,077 A	10/1994	Shames
D328,944 S	8/1992	Robbins	D352,092 S	11/1994	Warshawsky
5,141,016 A	8/1992	Nowicki	D352,347 S	11/1994	Dannenberg
D329,504 S	9/1992	Yuen	D352,766 S	11/1994	Hill et al.
5,143,300 A	9/1992	Cutler	5,368,235 A	11/1994	Drozdoff et al.
5,145,114 A	9/1992	Monch	5,369,556 A	11/1994	Zeller
5,148,556 A	9/1992	Bottoms et al.	5,370,427 A	12/1994	Hoelle et al.
D330,068 S	10/1992	Haug et al.	5,385,500 A	1/1995	Schmidt
D330,408 S	10/1992	Thacker	D355,242 S	2/1995	Warshawsky
D330,409 S	10/1992	Raffo	D355,703 S	2/1995	Duell
5,153,976 A	10/1992	Benchaar et al.	D356,626 S	3/1995	Wang
5,154,355 A	10/1992	Gonzalez	5,397,064 A	3/1995	Heitzman
5,154,483 A	10/1992	Zeller	5,398,872 A	3/1995	Joubran
5,161,567 A	11/1992	Humpert	5,398,977 A	3/1995	Berger et al.
5,163,752 A	11/1992	Copeland et al.	5,402,812 A	4/1995	Moineau et al.
5,171,429 A	12/1992	Yasuo	5,405,089 A	4/1995	Heimann et al.
5,172,860 A	12/1992	Yuch	5,414,879 A	5/1995	Hiraishi et al.
5,172,862 A	12/1992	Heimann et al.	5,423,348 A	6/1995	Jezek et al.
5,172,866 A	12/1992	Ward	5,433,384 A	7/1995	Chan et al.
D332,303 S	1/1993	Klose	D361,399 S	8/1995	Carbone et al.
D332,994 S	2/1993	Huen	D361,623 S	8/1995	Huen
D333,339 S	2/1993	Klose	5,441,075 A	8/1995	Clare
5,197,767 A	3/1993	Kimura et al.	5,449,206 A	9/1995	Lockwood
D334,794 S	4/1993	Klose	D363,360 S	10/1995	Santarsiero
D335,171 S	4/1993	Lenci et al.	5,454,809 A	10/1995	Janssen
5,201,468 A	4/1993	Freier et al.	5,468,057 A	11/1995	Megerle et al.
5,206,963 A	5/1993	Wiens	D364,935 S	12/1995	deBlois
5,207,499 A	5/1993	Vajda et al.	D365,625 S	12/1995	Bova
5,213,267 A	5/1993	Heimann et al.	D365,646 S	12/1995	deBlois
5,220,697 A	6/1993	Birchfield	5,476,225 A	12/1995	Chan
D337,839 S	7/1993	Zeller	D366,309 S	1/1996	Huang
5,228,625 A	7/1993	Grassberger	D366,707 S	1/1996	Kaiser
5,230,106 A	7/1993	Henkin et al.	D366,708 S	1/1996	Santarsiero
D338,542 S	8/1993	Yuen	D366,709 S	1/1996	Szmanski
5,232,162 A	8/1993	Chih	D366,710 S	1/1996	Szymanski
D339,492 S	9/1993	Klose	5,481,765 A	1/1996	Wang
D339,627 S	9/1993	Klose	D366,948 S	2/1996	Carbone
D339,848 S	9/1993	Gottwald	D367,315 S	2/1996	Andrus
5,246,169 A	9/1993	Heimann et al.	D367,333 S	2/1996	Swyst
5,246,301 A	9/1993	Hirasawa	D367,696 S	3/1996	Andrus
D340,376 S	10/1993	Klose	D367,934 S	3/1996	Carbone
5,253,670 A	10/1993	Perrott	D368,146 S	3/1996	Carbone
5,253,807 A	10/1993	Newbegin	D368,317 S	3/1996	Swyst
5,254,809 A	10/1993	Martin	5,499,767 A	3/1996	Morand
D341,007 S	11/1993	Haug et al.	D368,539 S	4/1996	Carbone et al.
D341,191 S	11/1993	Klose	D368,540 S	4/1996	Santarsiero
D341,220 S	11/1993	Eagan	D368,541 S	4/1996	Kaiser et al.
5,263,646 A	11/1993	McCauley	D368,542 S	4/1996	deBlois et al.
			D369,204 S	4/1996	Andrus
			D369,205 S	4/1996	Andrus
			5,507,436 A	4/1996	Ruttenberg
			D369,873 S	5/1996	deBlois et al.

(56)

## References Cited

## U.S. PATENT DOCUMENTS

D369,874 S	5/1996	Santarsiero	5,697,557 A	12/1997	Blessing et al.
D369,875 S	5/1996	Carbone	5,699,964 A	12/1997	Bergmann et al.
D370,052 S	5/1996	Chan et al.	5,702,057 A	12/1997	Huber
D370,250 S	5/1996	Fawcett et al.	D389,558 S	1/1998	Andrus
D370,277 S	5/1996	Kaiser	5,704,080 A	1/1998	Kuhne
D370,278 S	5/1996	Nolan	5,707,011 A	1/1998	Bosio
D370,279 S	5/1996	deBlois	5,718,380 A	2/1998	Schorn et al.
D370,280 S	5/1996	Kaiser	D392,369 S	3/1998	Chan
D370,281 S	5/1996	Johnstone et al.	5,730,361 A	3/1998	Thonnes
5,517,392 A	5/1996	Roussio et al.	5,730,362 A	3/1998	Cordes
5,521,803 A	5/1996	Eckert et al.	5,730,363 A	3/1998	Kress
D370,542 S	6/1996	Santarsiero	5,742,961 A	4/1998	Casperson et al.
D370,735 S	6/1996	deBlois	D394,490 S	5/1998	Andrus et al.
D370,987 S	6/1996	Santarsiero	5,746,375 A	5/1998	Guo
D370,988 S	6/1996	Santarsiero	5,749,552 A	5/1998	Fan
D371,448 S	7/1996	Santarsiero	5,749,602 A	5/1998	Delaney et al.
D371,618 S	7/1996	Nolan	D394,899 S	6/1998	Caroen et al.
D371,619 S	7/1996	Szymanski	D395,074 S	6/1998	Neibrook et al.
D371,856 S	7/1996	Carbone	D395,075 S	6/1998	Kolada
D372,318 S	7/1996	Szymanski	D395,142 S	6/1998	Neibrook
D372,319 S	7/1996	Carbone	5,764,760 A	6/1998	Grandbert et al.
5,531,625 A	7/1996	Zhong	5,765,760 A	6/1998	Kuo
5,539,624 A	7/1996	Dougherty	5,769,802 A	6/1998	Wang
D372,548 S	8/1996	Carbone	5,772,120 A	6/1998	Huber
D372,998 S	8/1996	Carbone	5,778,939 A	7/1998	Hok-Yin
D373,210 S	8/1996	Santarsiero	5,788,157 A	8/1998	Kress
D373,434 S	9/1996	Nolan	D398,370 S	9/1998	Purdy
D373,435 S	9/1996	Nolan	5,806,771 A	9/1998	Loschelder et al.
D373,645 S	9/1996	Johnstone et al.	5,819,791 A	10/1998	Chronister et al.
D373,646 S	9/1996	Szymanski et al.	5,820,574 A	10/1998	Henkin et al.
D373,647 S	9/1996	Kaiser	5,823,431 A	10/1998	Pierce
D373,648 S	9/1996	Kaiser	5,823,442 A	10/1998	Guo
D373,649 S	9/1996	Carbone	5,826,803 A	10/1998	Cooper
D373,651 S	9/1996	Szymanski	5,833,138 A	11/1998	Crane et al.
D373,652 S	9/1996	Kaiser	5,839,666 A	11/1998	Heimann et al.
5,551,637 A	9/1996	Lo	D402,350 S	12/1998	Andrus et al.
5,552,973 A	9/1996	Hsu	D403,754 S	1/1999	Gottwald
5,558,278 A	9/1996	Gallorini	D404,116 S	1/1999	Bosio
D374,271 S	10/1996	Fleischmann	5,855,348 A	1/1999	Fornara
D374,297 S	10/1996	Kaiser	5,860,599 A	1/1999	Lin
D374,298 S	10/1996	Swyst	5,862,543 A	1/1999	Reynoso et al.
D374,299 S	10/1996	Carbone	5,862,985 A	1/1999	Neibrook et al.
D374,493 S	10/1996	Szymanski	D405,502 S	2/1999	Tse
D374,494 S	10/1996	Santarsiero	5,865,375 A	2/1999	Hsu
D374,732 S	10/1996	Kaiser	5,865,378 A	2/1999	Hollinshead et al.
D374,733 S	10/1996	Santarsiero	5,873,647 A	2/1999	Kurtz et al.
5,560,548 A	10/1996	Mueller et al.	D408,893 S	4/1999	Tse
5,567,115 A	10/1996	Carbone	D409,276 S	5/1999	Ratzlaff
D375,541 S	11/1996	Michaluk	D410,276 S	5/1999	Ben-Tsur
5,577,664 A	11/1996	Heitzman	5,918,809 A	7/1999	Simmons
D376,217 S	12/1996	Kaiser	5,918,811 A	7/1999	Denham et al.
D376,860 S	12/1996	Santarsiero	D413,157 S	8/1999	Ratzlaff
D376,861 S	12/1996	Johnstone et al.	5,937,905 A	8/1999	Santos
D376,862 S	12/1996	Carbone	5,938,123 A	8/1999	Heitzman
5,605,173 A	2/1997	Arnaud	5,941,462 A	8/1999	Sandor
D378,401 S	3/1997	Neufeld et al.	5,947,388 A	9/1999	Woodruff
5,613,638 A	3/1997	Blessing	D415,247 S	10/1999	Haverstraw et al.
5,613,639 A	3/1997	Storm et al.	5,961,046 A	10/1999	Joubran
5,615,837 A	4/1997	Roman	5,967,417 A	10/1999	Mantel
5,624,074 A	4/1997	Parisi	5,979,776 A	11/1999	Williams
5,624,498 A	4/1997	Lee et al.	5,992,762 A	11/1999	Wang
D379,212 S	5/1997	Chan	D418,200 S	12/1999	Ben-Tsur
D379,404 S	5/1997	Spelts	5,997,047 A	12/1999	Pimentel et al.
5,632,049 A	5/1997	Chen	6,003,165 A	12/1999	Loyd
D381,405 S	7/1997	Waidele et al.	D418,902 S	1/2000	Haverstraw et al.
D381,737 S	7/1997	Chan	D418,903 S	1/2000	Haverstraw et al.
D382,936 S	8/1997	Shfaram	D418,904 S	1/2000	Milrud
5,653,260 A	8/1997	Huber	D421,099 S	2/2000	Mullenmeister
5,667,146 A	9/1997	Pimentel et al.	6,021,960 A	2/2000	Kehat
D385,332 S	10/1997	Andrus	D422,053 S	3/2000	Brenner et al.
D385,333 S	10/1997	Caroen et al.	6,042,027 A	3/2000	Sandvik
D385,334 S	10/1997	Caroen et al.	6,042,155 A	3/2000	Lockwood
D385,616 S	10/1997	Dow et al.	D422,336 S	4/2000	Haverstraw et al.
D385,947 S	11/1997	Dow et al.	D422,337 S	4/2000	Chan
D387,230 S	12/1997	von Buelow et al.	D423,083 S	4/2000	Haug et al.
			D423,110 S	4/2000	Cipkowski
			D424,160 S	5/2000	Haug et al.
			D424,161 S	5/2000	Haug et al.
			D424,162 S	5/2000	Haug et al.

(56)

References Cited

U.S. PATENT DOCUMENTS

D424,163 S	5/2000	Haug et al.	D457,937 S	5/2002	Lindholm et al.
D426,290 S	6/2000	Haug et al.	6,382,531 B1	5/2002	Tracy
D427,661 S	7/2000	Haverstraw et al.	D458,348 S	6/2002	Mullenmeister
D428,110 S	7/2000	Haug et al.	6,412,711 B1	7/2002	Fan
D428,125 S	7/2000	Chan	D461,224 S	8/2002	Lobermeier
6,085,780 A	7/2000	Morris	D461,878 S	8/2002	Green et al.
D430,267 S	8/2000	Milrud et al.	6,450,425 B1	9/2002	Chen
6,095,801 A	8/2000	Spiewak	6,454,186 B2	9/2002	Haverstraw et al.
D430,643 S	9/2000	Tse	6,463,658 B1	10/2002	Larsson
6,113,002 A	9/2000	Finkbeiner	6,464,265 B1	10/2002	Mikol
6,123,272 A	9/2000	Havican et al.	D465,552 S	11/2002	Tse
6,123,308 A	9/2000	Faisst	D465,553 S	11/2002	Singtoroj
D432,624 S	10/2000	Chan	6,484,952 B2	11/2002	Koren
D432,625 S	10/2000	Chan	D468,800 S	1/2003	Tse
D433,096 S	10/2000	Tse	D469,165 S	1/2003	Lim
D433,097 S	10/2000	Tse	6,502,796 B1	1/2003	Wales
6,126,091 A	10/2000	Heitzman	6,508,415 B2	1/2003	Wang
6,126,290 A	10/2000	Veigel	6,511,001 B1	1/2003	Huang
D434,109 S	11/2000	Ko	D470,219 S	2/2003	Schweitzer
6,164,569 A	12/2000	Hollinshead et al.	6,516,070 B2	2/2003	Macey
6,164,570 A	12/2000	Smeltzer	D471,253 S	3/2003	Tse
D435,889 S	1/2001	Ben-Tsur et al.	D471,953 S	3/2003	Colligan et al.
D439,305 S	3/2001	Slothower	6,533,194 B2	3/2003	Marsh et al.
6,199,580 B1	3/2001	Morris	6,537,455 B2	3/2003	Farley
6,202,679 B1	3/2001	Titus	D472,958 S	4/2003	Ouyoung
D440,276 S	4/2001	Slothower	6,550,697 B2	4/2003	Lai
D440,277 S	4/2001	Slothower	6,585,174 B1	7/2003	Huang
D440,278 S	4/2001	Slothower	6,595,439 B1	7/2003	Chen
D441,059 S	4/2001	Fleischmann	6,607,148 B1	8/2003	Marsh et al.
6,209,799 B1	4/2001	Finkbeiner	6,611,971 B1	9/2003	Antoniello et al.
D443,025 S	5/2001	Kollmann et al.	6,637,676 B2	10/2003	Zieger et al.
D443,026 S	5/2001	Kollmann et al.	6,641,057 B2	11/2003	Thomas et al.
D443,027 S	5/2001	Kollmann et al.	D483,837 S	12/2003	Fan
D443,029 S	5/2001	Kollmann et al.	6,659,117 B2	12/2003	Gilmore
6,223,998 B1	5/2001	Heitzman	6,659,372 B2	12/2003	Marsh et al.
6,230,984 B1	5/2001	Jager	D485,887 S	1/2004	Luetzgen et al.
6,230,988 B1	5/2001	Chao et al.	D486,888 S	2/2004	Lobermeier
6,230,989 B1	5/2001	Haverstraw et al.	6,691,338 B2	2/2004	Zieger
D443,335 S	6/2001	Andrus	6,691,933 B1	2/2004	Bosio
D443,336 S	6/2001	Kollmann et al.	D487,301 S	3/2004	Haug et al.
D443,347 S	6/2001	Gottwald	D487,498 S	3/2004	Blomstrom
6,241,166 B1	6/2001	Overington et al.	6,701,953 B2	3/2004	Agosta
6,250,572 B1	6/2001	Chen	6,715,699 B1	4/2004	Greenberg et al.
D444,865 S	7/2001	Gottwald	6,719,218 B2	4/2004	Cool et al.
D445,871 S	7/2001	Fan	D489,798 S	5/2004	Hunt
6,254,014 B1	7/2001	Clearman et al.	D490,498 S	5/2004	Golichowski
6,270,278 B1	8/2001	Mauro	6,736,336 B2	5/2004	Wong
6,276,004 B1	8/2001	Bertrand et al.	6,739,523 B2	5/2004	Haverstraw et al.
6,283,447 B1	9/2001	Fleet	6,739,527 B1	5/2004	Chung
6,286,764 B1	9/2001	Garvey et al.	D492,004 S	6/2004	Haug et al.
D449,673 S	10/2001	Kollmann et al.	D492,007 S	6/2004	Kollmann et al.
D450,370 S	11/2001	Wales et al.	6,742,725 B1	6/2004	Fan
D450,805 S	11/2001	Lindholm et al.	D493,208 S	7/2004	Lin
D450,806 S *	11/2001	Lindholm et al. .... D23/223	D493,864 S	8/2004	Haug et al.
D450,807 S	11/2001	Lindholm et al.	D494,655 S	8/2004	Lin
D451,169 S *	11/2001	Lindholm et al. .... D23/223	D494,661 S	8/2004	Zieger et al.
D451,170 S	11/2001	Lindholm et al.	D495,027 S	8/2004	Mazzola
D451,171 S	11/2001	Lindholm et al.	6,776,357 B1	8/2004	Naito
D451,172 S	11/2001	Lindholm et al.	6,789,751 B1	9/2004	Fan
6,321,777 B1	11/2001	Wu	D496,987 S	10/2004	Glunk
6,322,006 B1	11/2001	Guo	D497,974 S	11/2004	Haug et al.
D451,583 S	12/2001	Lindholm et al.	D498,514 S	11/2004	Haug et al.
D451,980 S	12/2001	Lindholm et al.	D500,121 S	12/2004	Blomstrom
D452,553 S	12/2001	Lindholm et al.	D500,549 S	1/2005	Blomstrom
D452,725 S	1/2002	Lindholm et al.	D501,242 S	1/2005	Blomstrom
D452,897 S	1/2002	Gillette et al.	D502,760 S	3/2005	Zieger et al.
6,336,764 B1	1/2002	Liu	D502,761 S	3/2005	Zieger et al.
6,338,170 B1	1/2002	De Simone	D503,211 S	3/2005	Lin
D453,369 S	2/2002	Lobermeier	6,863,227 B2	3/2005	Wollenberg et al.
D453,370 S	2/2002	Lindholm et al.	6,869,030 B2	3/2005	Blessing et al.
D453,551 S	2/2002	Lindholm et al.	D503,774 S	4/2005	Zieger
6,349,735 B2	2/2002	Gul	D503,775 S	4/2005	Zieger
D454,617 S	3/2002	Curbbun et al.	D503,966 S	4/2005	Zieger
D454,938 S	3/2002	Lord	6,899,292 B2	5/2005	Titinet
6,375,342 B1	4/2002	Koren et al.	D506,243 S *	6/2005	Wu ..... D23/223
			D507,037 S	7/2005	Wu
			6,935,581 B2	8/2005	Titinet
			D509,280 S	9/2005	Bailey et al.
			D509,563 S	9/2005	Bailey et al.

(56)

References Cited

U.S. PATENT DOCUMENTS

D510,123 S	9/2005	Tsai	D581,014 S	11/2008	Quinn et al.
D511,809 S	11/2005	Haug et al.	7,503,345 B2	3/2009	Paterson et al.
D512,119 S	11/2005	Haug et al.	D590,048 S	4/2009	Leber et al.
6,981,661 B1	1/2006	Chen	7,520,448 B2	4/2009	Luetzgen et al.
D516,169 S	2/2006	Wu	D592,276 S	5/2009	Schoenherr et al.
7,000,854 B2	2/2006	Malek et al.	D592,278 S	5/2009	Leber
7,004,409 B2	2/2006	Okubo	7,533,906 B2	5/2009	Luetzgen et al.
7,004,410 B2	2/2006	Li	7,537,175 B2	5/2009	Miura et al.
D520,109 S	5/2006	Wu	D600,777 S	9/2009	Whitaker et al.
7,040,554 B2	5/2006	Drennow	D603,935 S	11/2009	Leber
7,048,210 B2	5/2006	Clark	7,617,990 B2	11/2009	Huffman
7,055,767 B1	6/2006	Ko	D605,731 S	12/2009	Leber
7,070,125 B2	7/2006	Williams et al.	D606,623 S	12/2009	Whitaker et al.
7,077,342 B2	7/2006	Lee	D608,412 S	1/2010	Barnard et al.
D527,440 S	8/2006	Macan	D608,413 S	1/2010	Barnard et al.
7,093,780 B1	8/2006	Chung	D616,061 S	5/2010	Whitaker et al.
7,097,122 B1	8/2006	Farley	7,721,979 B2	5/2010	Mazzola
D528,631 S	9/2006	Gillette et al.	7,740,186 B2	6/2010	Macan et al.
7,100,845 B1	9/2006	Hsieh	D621,904 S	8/2010	Yoo et al.
7,111,795 B2	9/2006	Thong	D621,905 S	8/2010	Yoo et al.
7,111,798 B2	9/2006	Thomas et al.	7,770,820 B2	8/2010	Clearman et al.
D530,389 S	10/2006	Genslak et al.	7,770,822 B2	8/2010	Leber
D530,392 S	10/2006	Tse	D624,156 S	9/2010	Leber
D531,259 S	10/2006	Hsieh	7,789,326 B2	9/2010	Luetzgen et al.
7,114,666 B2	10/2006	Luetzgen et al.	D625,776 S	10/2010	Williams
D533,253 S	12/2006	Luetzgen et al.	7,832,662 B2	11/2010	Gallo
D534,239 S	12/2006	Dingler et al.	D628,676 S	12/2010	Lee
D535,354 S	1/2007	Wu	D629,867 S	12/2010	Rexach et al.
D536,060 S	1/2007	Sadler	D641,831 S	7/2011	Williams
7,156,325 B1	1/2007	Chen	8,020,787 B2	9/2011	Leber et al.
D538,391 S	3/2007	Mazzola	8,020,788 B2	9/2011	Luetzgen et al.
D540,424 S	4/2007	Kirar	8,024,822 B2	9/2011	Macan et al.
D540,425 S	4/2007	Endo et al.	8,028,935 B2	10/2011	Leber
D540,426 S	4/2007	Cropelli	8,109,450 B2	2/2012	Luetzgen et al.
D540,427 S	4/2007	Bouroullec et al.	8,132,745 B2	3/2012	Leber et al.
D542,391 S	5/2007	Gilbert	8,146,838 B2	4/2012	Luetzgen et al.
D542,393 S	5/2007	Haug et al.	D667,531 S *	9/2012	Romero et al. .... D23/223
D544,573 S *	6/2007	Dingler et al. .... D23/223	8,292,200 B2	10/2012	Macan et al.
7,229,031 B2	6/2007	Schmidt	D672,433 S *	12/2012	Yoo et al. .... D23/223
7,243,863 B2	7/2007	Glunk	D673,649 S	1/2013	Quinn et al.
7,246,760 B2	7/2007	Marty et al.	D674,047 S *	1/2013	Yoo et al. .... D23/223
D552,713 S	10/2007	Rexach	D674,050 S	1/2013	Quinn et al.
7,278,591 B2	10/2007	Clearman et al.	8,348,181 B2	1/2013	Whitaker
D556,295 S	11/2007	Genord et al.	D678,463 S	3/2013	Quinn et al.
7,299,510 B2	11/2007	Tsai	D678,467 S	3/2013	Quinn et al.
D557,763 S	12/2007	Schoenherr et al.	2002/0109023 A1	8/2002	Thomas et al.
D557,764 S	12/2007	Schoenherr et al.	2003/0062426 A1	4/2003	Gregory et al.
D557,765 S	12/2007	Schoenherr et al.	2003/0121993 A1	7/2003	Haverstraw et al.
D558,301 S	12/2007	Hoernig	2004/0074993 A1	4/2004	Thomas et al.
7,303,151 B2	12/2007	Wu	2004/0118949 A1	6/2004	Marks
D559,357 S	1/2008	Wang et al.	2004/0217209 A1	11/2004	Bui
D559,945 S	1/2008	Patterson et al.	2004/0244105 A1	12/2004	Tsai
D560,269 S	1/2008	Tse	2005/0001072 A1	1/2005	Bolus et al.
D562,937 S	2/2008	Schoenherr et al.	2005/0284967 A1	12/2005	Korb et al.
D562,938 S	2/2008	Blessing	2006/0016908 A1	1/2006	Chung
D562,941 S	2/2008	Pan	2006/0016913 A1	1/2006	Lo
7,331,536 B1	2/2008	Zhen et al.	2006/0102747 A1	5/2006	Ho
7,347,388 B2	3/2008	Chung	2006/0163391 A1	7/2006	Schorn
D565,699 S	4/2008	Berberet	2006/0219822 A1	10/2006	Miller et al.
D565,702 S	4/2008	Daunter et al.	2007/0040054 A1	2/2007	Farzan
D565,703 S	4/2008	Lammel et al.	2007/0200013 A1	8/2007	Hsiao
D566,228 S	4/2008	Neagoe	2007/0246577 A1	10/2007	Leber
D566,229 S	4/2008	Rexach	2007/0252021 A1	11/2007	Cristina
D567,328 S	4/2008	Spangler et al.	2007/0272770 A1	11/2007	Leber et al.
7,360,723 B2	4/2008	Lev	2008/0073449 A1	3/2008	Haynes et al.
7,364,097 B2	4/2008	Okuma	2008/0083844 A1	4/2008	Leber et al.
7,374,112 B1	5/2008	Bulan et al.	2008/0121293 A1	5/2008	Leber et al.
7,384,007 B2	6/2008	Ho	2008/0156897 A1	7/2008	Leber
D577,099 S	9/2008	Leber	2008/0223957 A1	9/2008	Schorn
D577,793 S	9/2008	Leber	2008/0272591 A1	11/2008	Leber
D578,604 S *	10/2008	Wu et al. .... D23/223	2009/0200404 A1	8/2009	Cristina
D578,605 S *	10/2008	Wu et al. .... D23/223	2009/0218420 A1	9/2009	Mazzola
D580,012 S	11/2008	Quinn et al.	2009/0307836 A1	12/2009	Blattner et al.
D580,513 S	11/2008	Quinn et al.	2010/0127096 A1	5/2010	Leber
D581,013 S	11/2008	Citterio	2011/0000983 A1	1/2011	Chang
			2011/0011953 A1	1/2011	Macan et al.

(56)

References Cited

U.S. PATENT DOCUMENTS

2011/0121098 A1 5/2011 Luetngen et al.  
 2012/0048968 A1 3/2012 Williams  
 2013/0147186 A1 6/2013 Leber

FOREIGN PATENT DOCUMENTS

CH 234284 3/1963  
 DE 352813 5/1922  
 DE 848627 9/1952  
 DE 854100 10/1952  
 DE 2360534 6/1974  
 DE 2806093 8/1979  
 DE 3107808 9/1982  
 DE 3246327 6/1984  
 DE 3440901 7/1985  
 DE 3706320 3/1988  
 DE 8804236 6/1988  
 DE 4034695 5/1991  
 DE 19608085 9/1996  
 DE 202005000881 3/2005  
 DE 102006032017 1/2008  
 EP 0167063 6/1985  
 EP 0478999 4/1992  
 EP 0514753 11/1992  
 EP 0435030 7/1993  
 EP 0617644 10/1994  
 EP 0683354 11/1995  
 EP 0687851 12/1995  
 EP 0695907 2/1996  
 EP 0700729 3/1996  
 EP 0719588 7/1996  
 EP 0721082 7/1996  
 EP 0733747 9/1996  
 EP 0808661 11/1997  
 EP 0726811 1/1998  
 EP 2164642 10/2010  
 EP 2260945 12/2010  
 FR 538538 6/1922  
 FR 873808 7/1942  
 FR 1039750 10/1953

FR 1098836 8/1955  
 FR 2596492 10/1987  
 FR 2695452 3/1994  
 GB 3314 0/1914  
 GB 10086 0/1894  
 GB 129812 7/1919  
 GB 204600 10/1923  
 GB 634483 3/1950  
 GB 971866 10/1964  
 GB 1111126 4/1968  
 GB 2066074 1/1980  
 GB 2066704 7/1981  
 GB 2068778 8/1981  
 GB 2121319 12/1983  
 GB 2155984 10/1985  
 GB 2156932 A 10/1985  
 GB 2199771 7/1988  
 GB 2298595 11/1996  
 GB 2337471 11/1999  
 IT 327400 7/1935  
 IT 350359 7/1937  
 IT 563459 5/1957  
 JP S63-181459 11/1988  
 JP H2-78660 6/1990  
 JP 4062238 2/1992  
 JP 4146708 5/1992  
 NL 8902957 6/1991  
 WO WO93/12894 7/1993  
 WO WO93/25839 12/1993  
 WO WO96/00617 1/1996  
 WO WO98/30336 7/1998  
 WO WO99/59726 11/1999  
 WO WO00/10720 3/2000  
 WO WO2010/004593 1/2010

OTHER PUBLICATIONS

Color Copy, Labeled 1A, Gemlo, available at least as early as Dec. 2, 1998.  
 Color Copy, Labeled 1B, Gemlo, available at least as early as Dec. 2, 1998.

\* cited by examiner



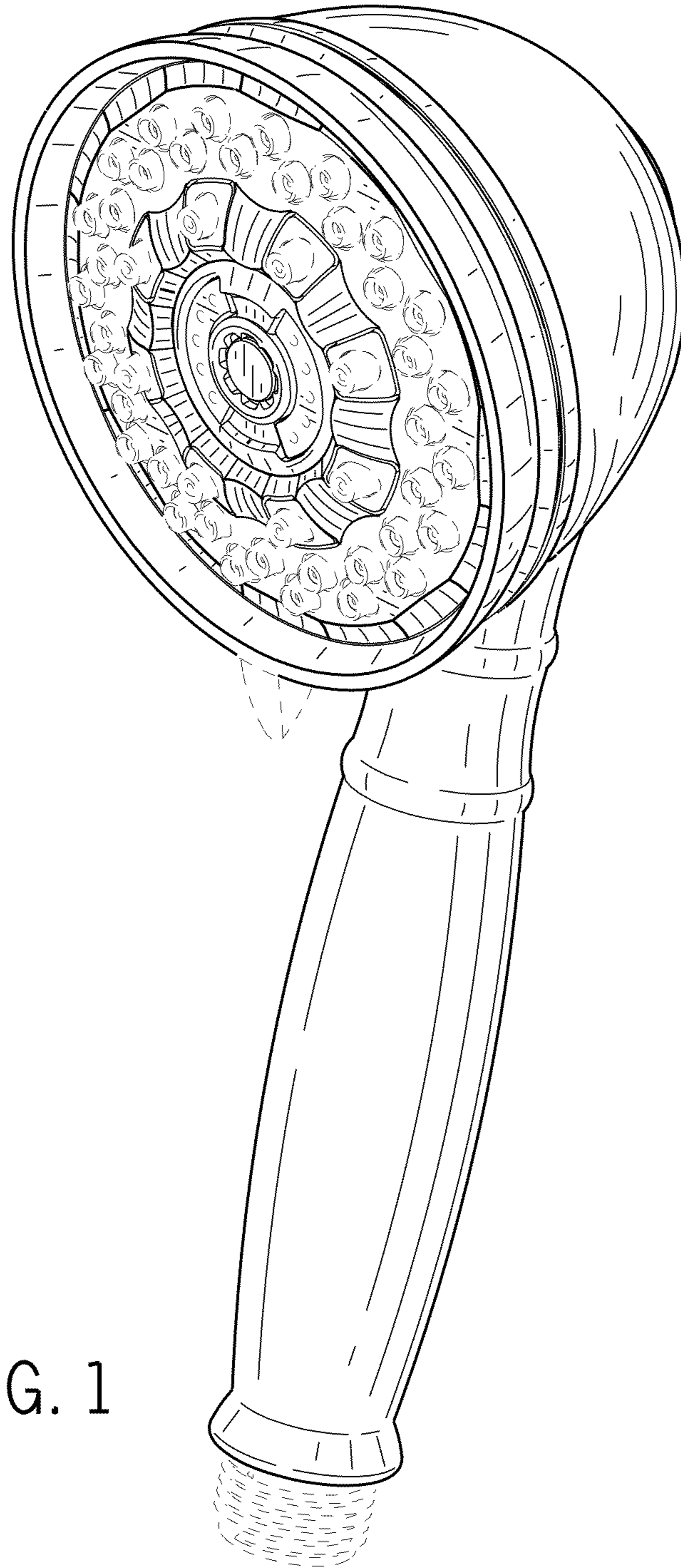


FIG. 1

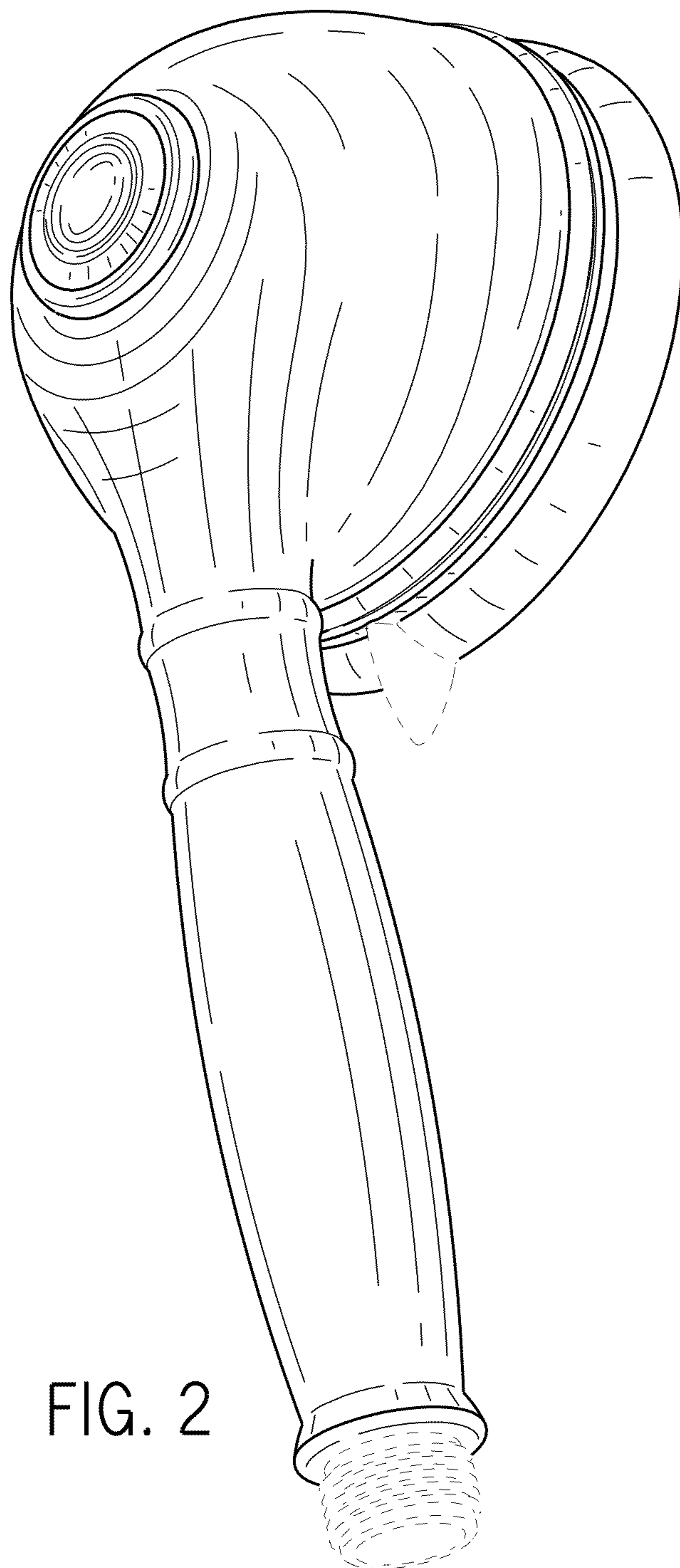


FIG. 2

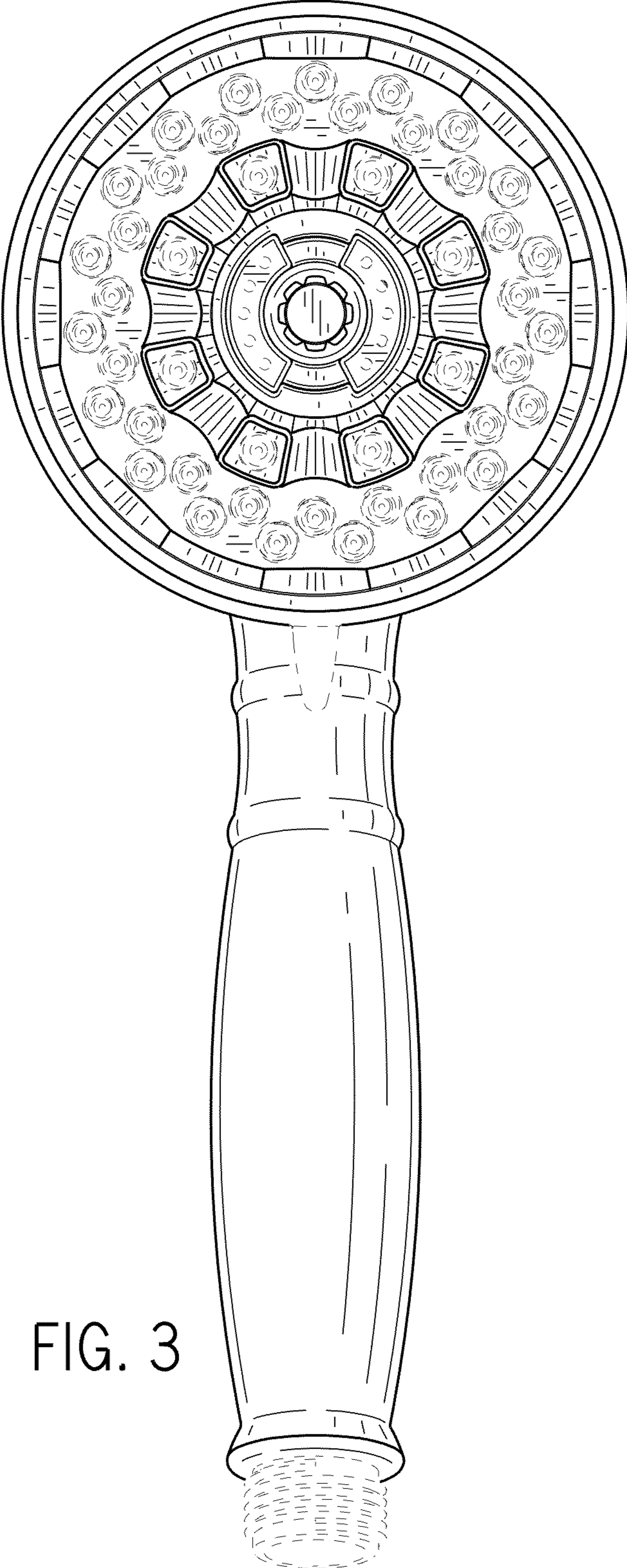


FIG. 3

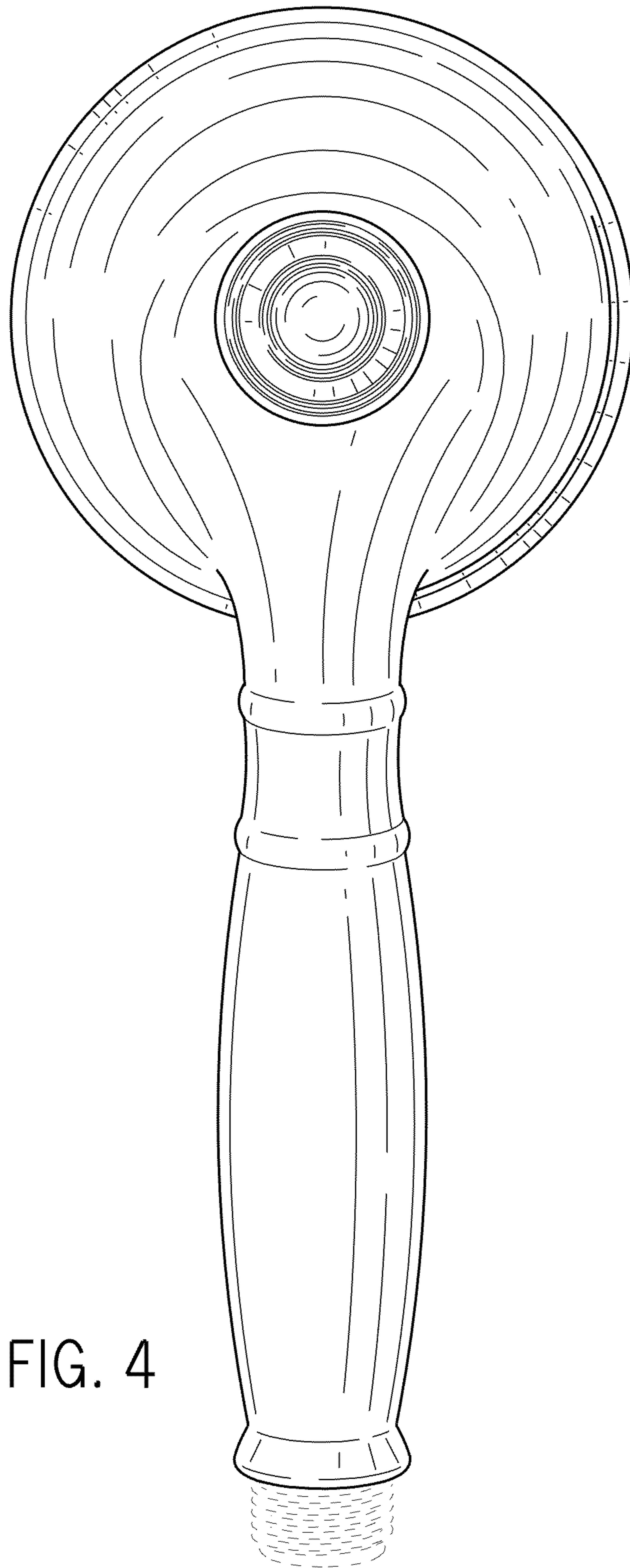


FIG. 4

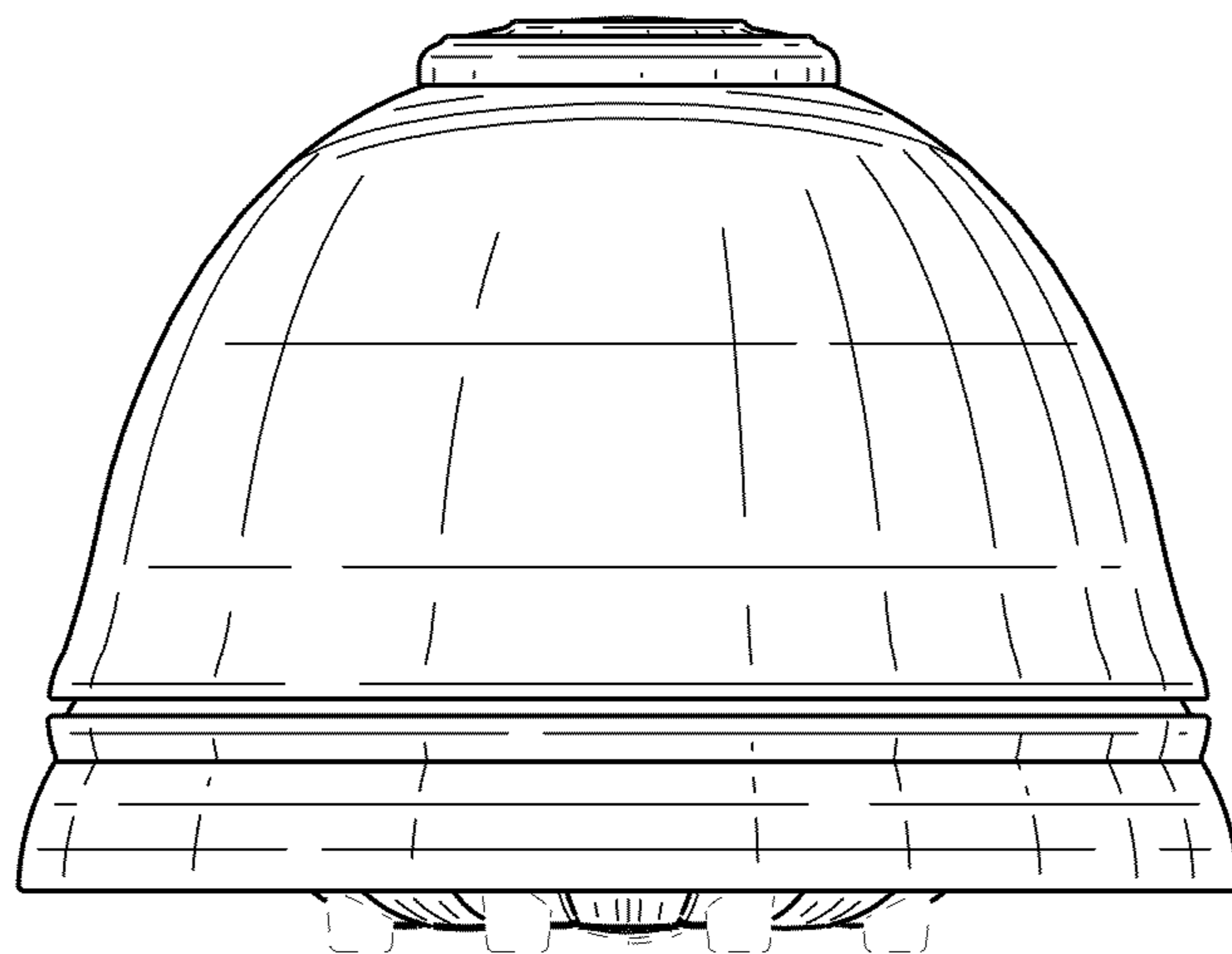


FIG. 5

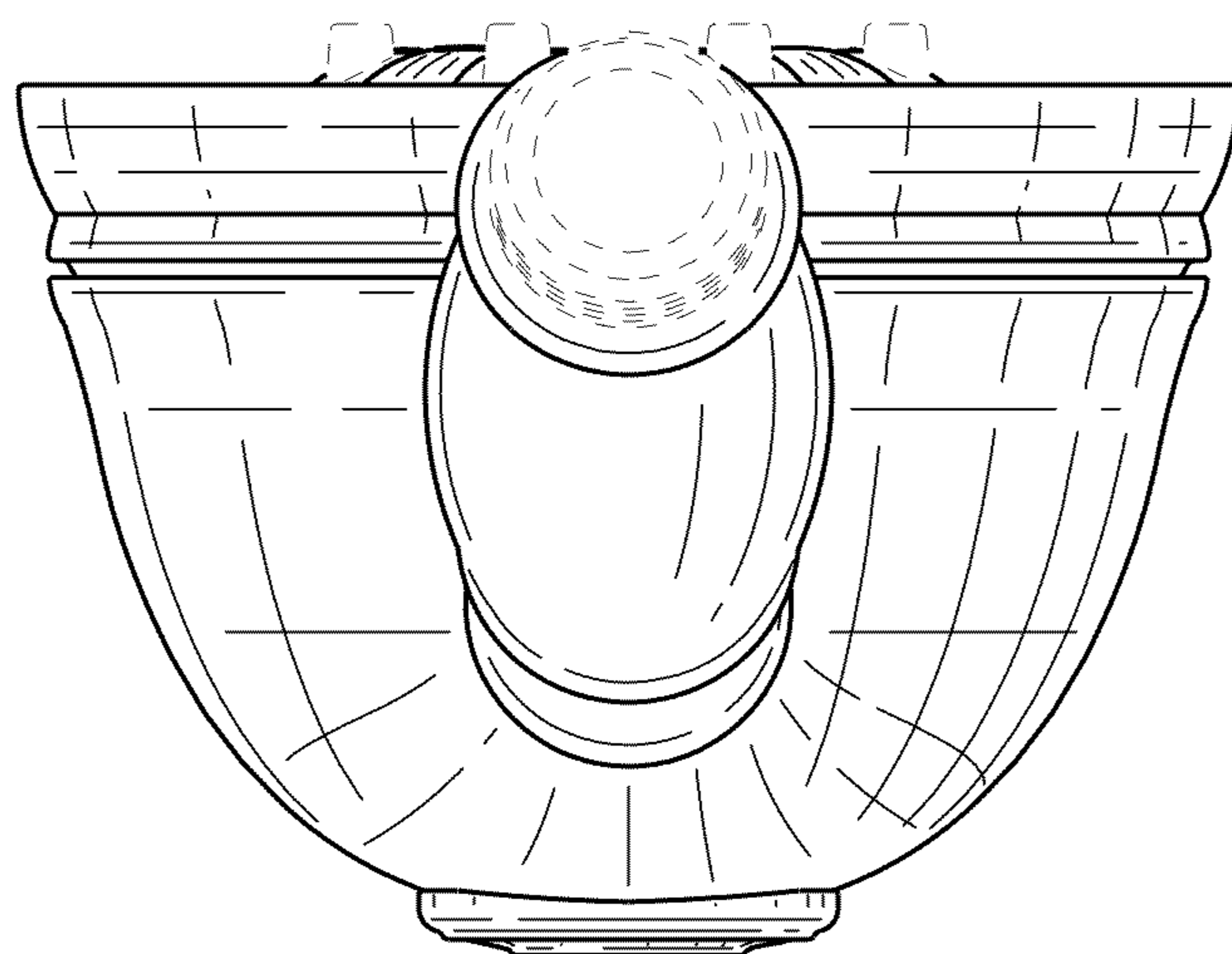


FIG. 6

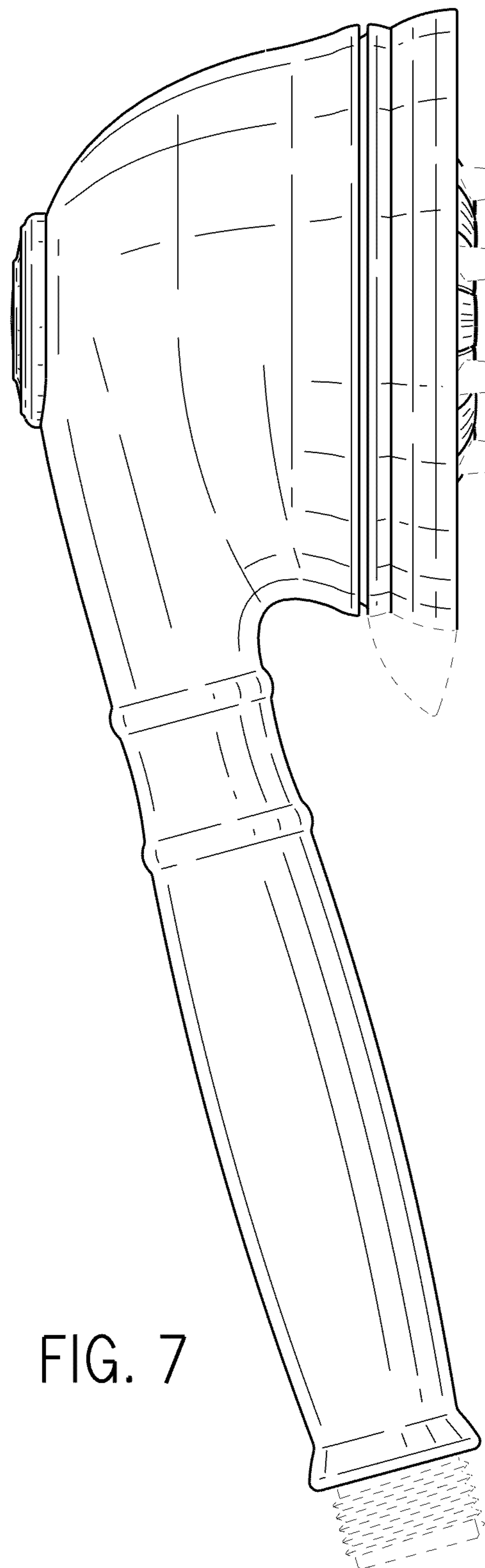


FIG. 7

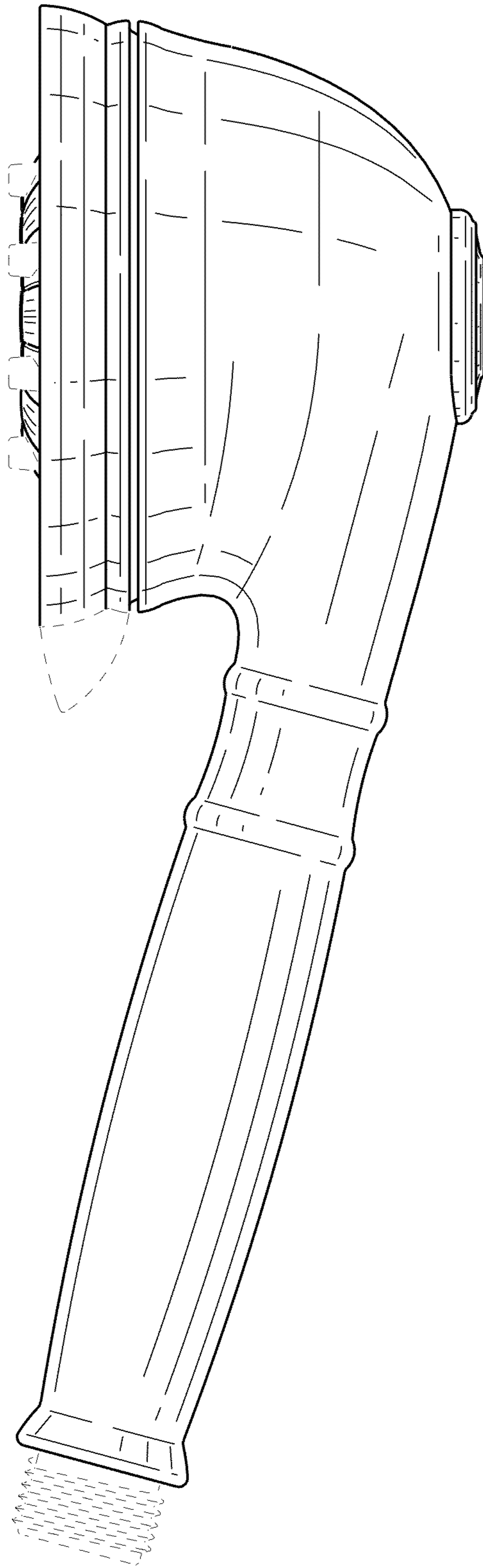


FIG. 8