

US00D744063S

(12) **United States Design Patent**  
**Holtby et al.**

(10) **Patent No.:** **US D744,063 S**  
(45) **Date of Patent:** **\*\* Nov. 24, 2015**

- (54) **WELL CONTAINMENT DEVICE**
- (71) Applicant: **Katch Kan Holdings Ltd.**, Edmonton (CA)
- (72) Inventors: **Quinn A. J. Holtby**, Edmonton (CA); **Dallas Laird Greenwood**, Edmonton (CA)
- (73) Assignee: **Katch Kan Holdings Ltd.**, Edmonton (CA)

2,568,247 A	9/1951	Medearis
2,610,690 A	9/1952	Beatty
2,655,679 A	10/1953	Grant
2,716,455 A	8/1955	Jones, Jr.
3,186,722 A	6/1965	Johnston
3,322,198 A	5/1967	McHenry
4,121,390 A *	10/1978	Hall et al. .... 52/20
4,450,905 A	5/1984	Crain
4,949,784 A	8/1990	Evans
5,121,794 A	6/1992	Hibdon et al.
5,121,796 A	6/1992	Wigington, Sr.
5,150,751 A	9/1992	Burton et al.
5,158,114 A	10/1992	Botsolas

(\*\*) Term: **14 Years**

(21) Appl. No.: **29/476,097**

(22) Filed: **Dec. 11, 2013**

(30) **Foreign Application Priority Data**

Jun. 11, 2013 (CA) ..... 151557

(51) **LOC (10) Cl.** ..... **23-01**

(52) **U.S. Cl.**  
USPC ..... **D23/200; D23/206**

(58) **Field of Classification Search**  
USPC ..... D23/202, 206, 200; D9/428; 150/154;  
206/386; 220/587, 565, 581, 582;  
137/312, 313; 52/20  
See application file for complete search history.

(56) **References Cited**

**U.S. PATENT DOCUMENTS**

1,418,612 A	6/1922	Beard
1,448,243 A	3/1923	Wilson
1,507,628 A	9/1924	Schuyler
1,542,776 A	6/1925	Ingram
2,096,882 A	10/1937	Chernosky
2,137,832 A	11/1938	Cordes
2,214,428 A	9/1940	Miller
2,353,412 A	7/1944	Miller
2,505,282 A	4/1950	Endsley
2,522,444 A	9/1950	Grable

(Continued)

**FOREIGN PATENT DOCUMENTS**

CA	2187717	4/1998
CA	2187717 A1	4/1998

*Primary Examiner* — Robin V Webster

(74) *Attorney, Agent, or Firm* — Seed IP Law Group PLLC

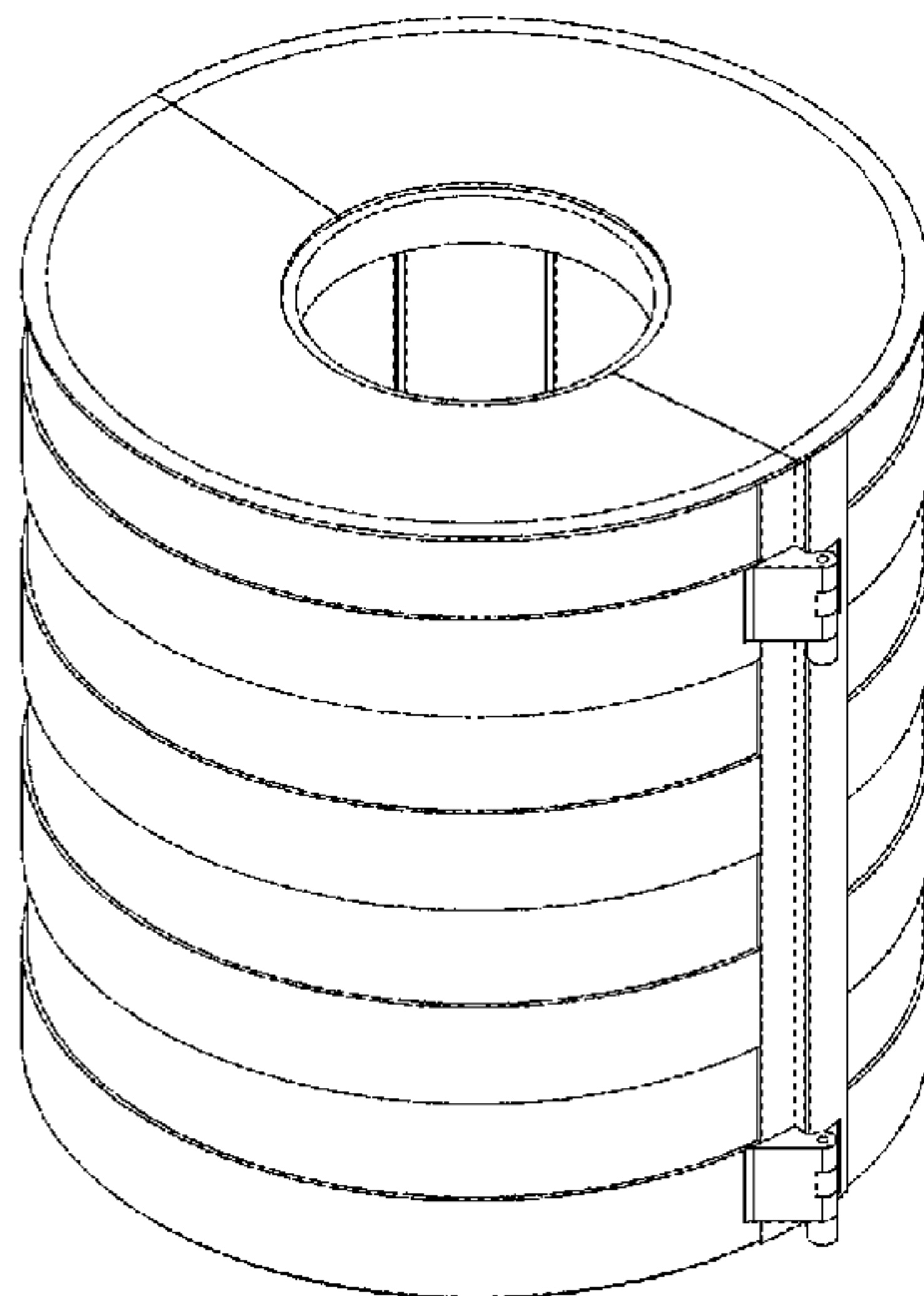
(57) **CLAIM**

The ornamental design for a well containment device, as shown and described.

**DESCRIPTION**

FIG. 1 is a first side view of a well containment device showing our new design;  
 FIG. 2 is a second side view of the well containment device shown in FIG. 1;  
 FIG. 3 is a third side view of the well containment device shown in FIG. 1;  
 FIG. 4 is a top plan view of the well containment device shown in FIG. 1;  
 FIG. 5 is a perspective view of the well containment device shown in FIG. 1;  
 FIG. 6 is a bottom view of the well containment device shown in FIG. 1; and,  
 FIG. 7 is a bottom perspective view of the well containment device shown in FIG. 1.

**1 Claim, 2 Drawing Sheets**



(56)

**References Cited**

U.S. PATENT DOCUMENTS

5,167,277	A	12/1992	Evans	5,937,947	A	8/1999	Holtby
5,343,943	A	9/1994	Norris et al.	6,119,772	A	9/2000	Pruet
5,351,753	A	10/1994	Golson	6,199,254	B1	3/2001	Suresh
5,377,748	A	1/1995	Gayaut	6,286,593	B1	9/2001	Holtby
5,394,939	A	3/1995	Walker	6,591,916	B1	7/2003	Ayling
5,484,024	A	1/1996	Ladd et al.	D611,566	S *	3/2010	Brockington et al. .... D23/206
5,551,511	A	9/1996	Holtby	D635,639	S *	4/2011	Dzwonczyk ..... D23/206
5,634,485	A	6/1997	Holtby	8,245,452	B2 *	8/2012	Koteskey ..... 52/19
5,775,419	A	7/1998	Gramlich	8,251,151	B2	8/2012	Haugen
				2002/0179300	A1	12/2002	Gay et al.
				2011/0265992	A1	11/2011	Pearson
				2014/0124222	A1	5/2014	Holtby

\* cited by examiner

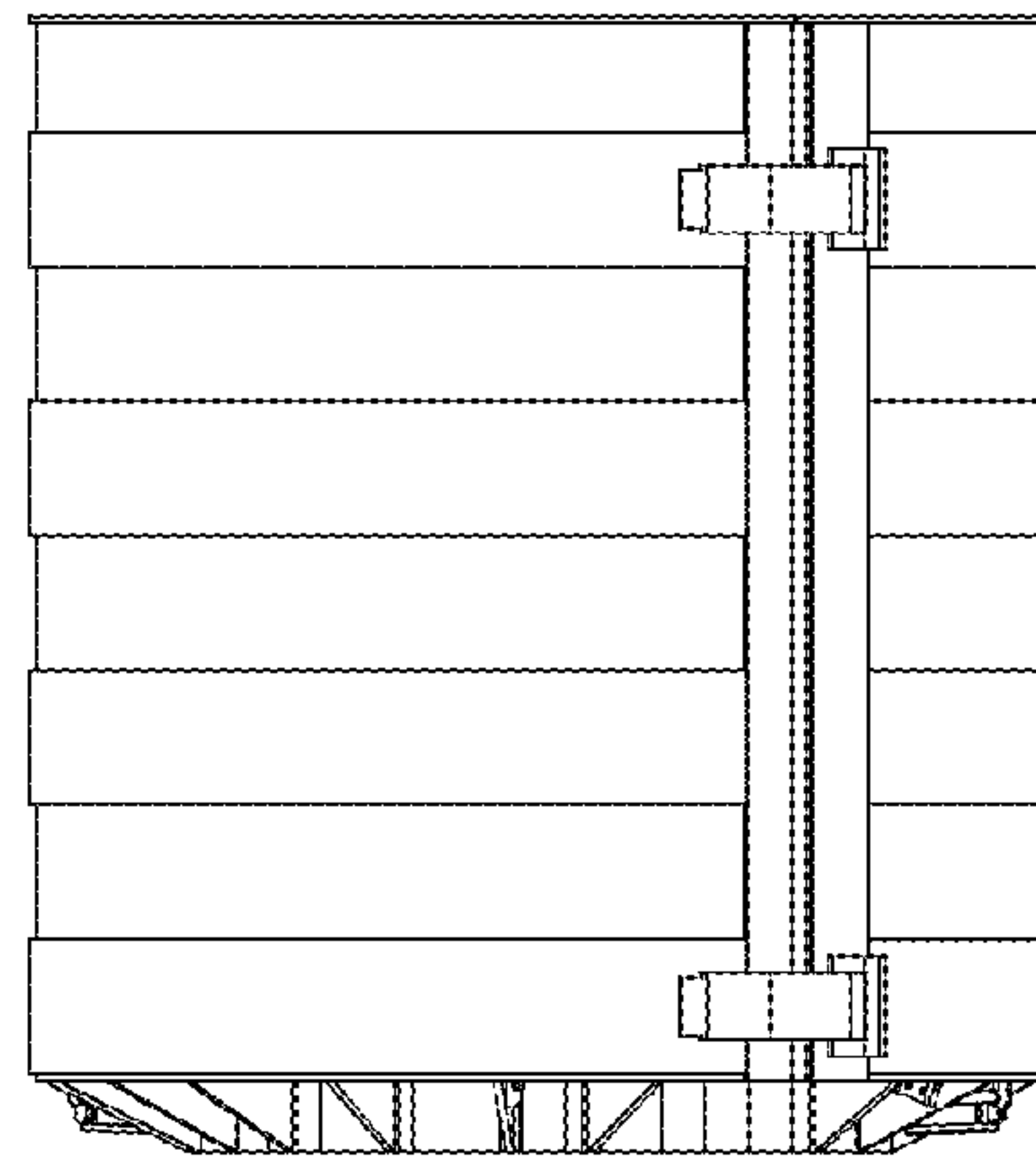


FIG. 1

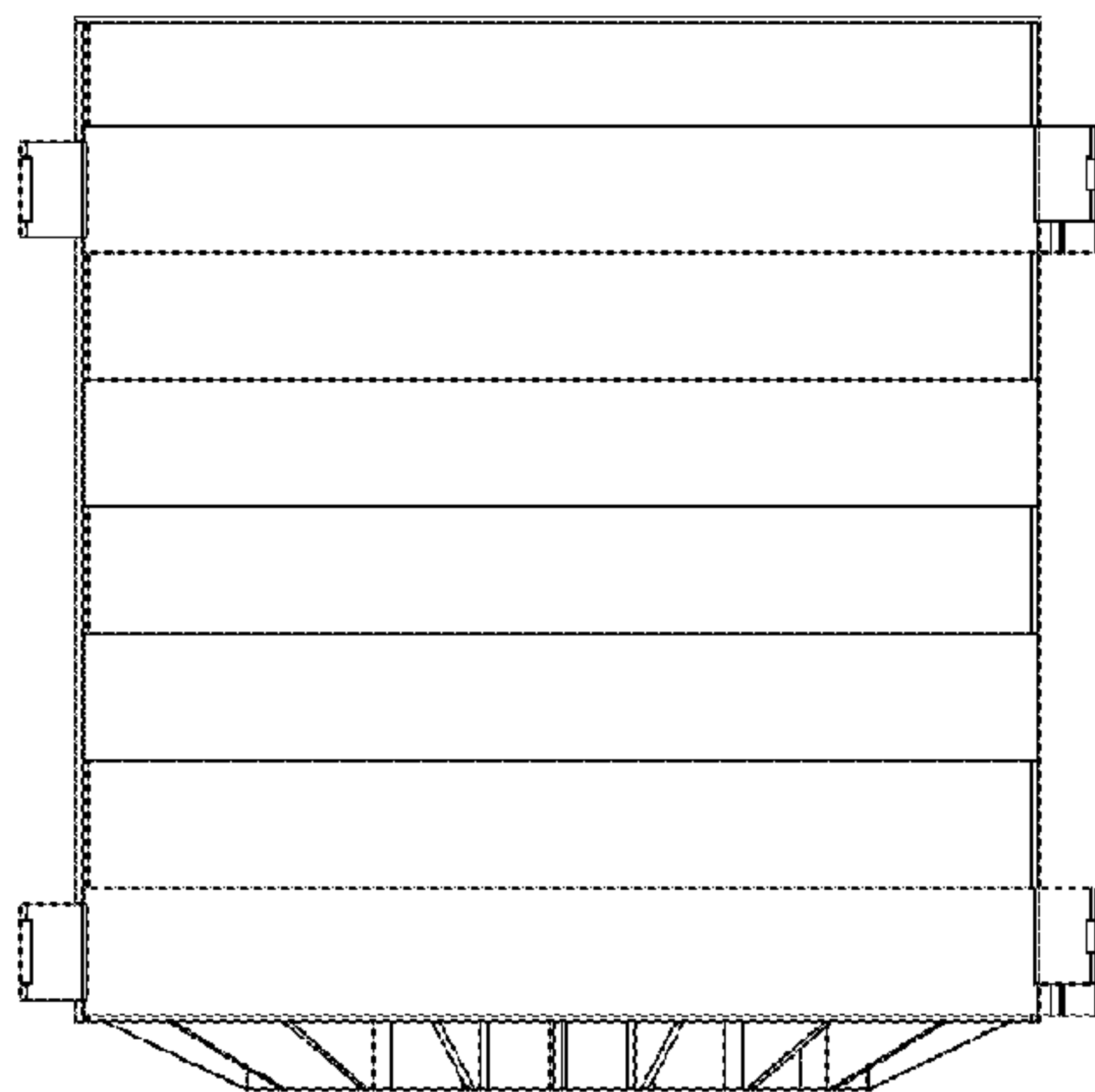


FIG. 2

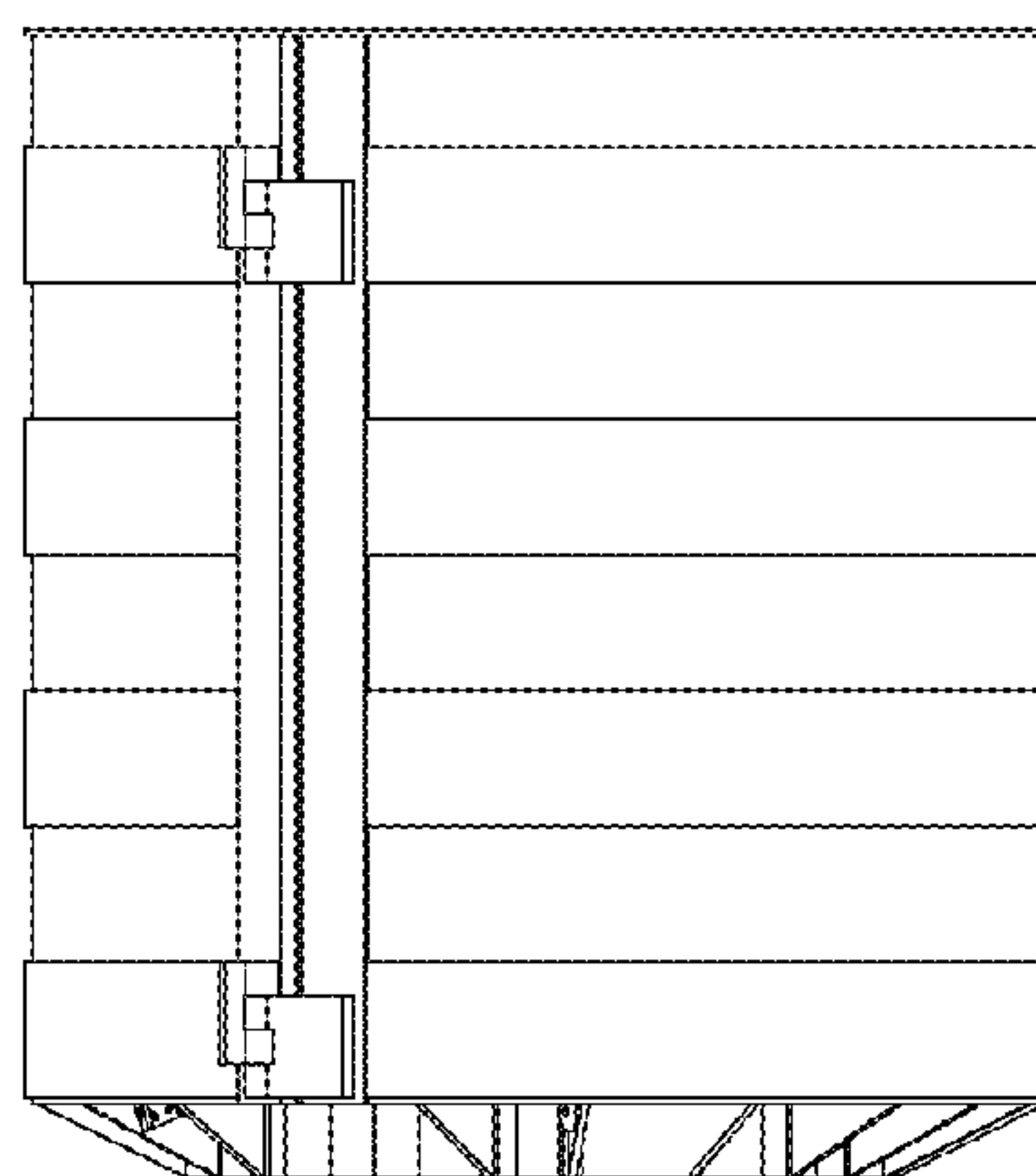


FIG. 3

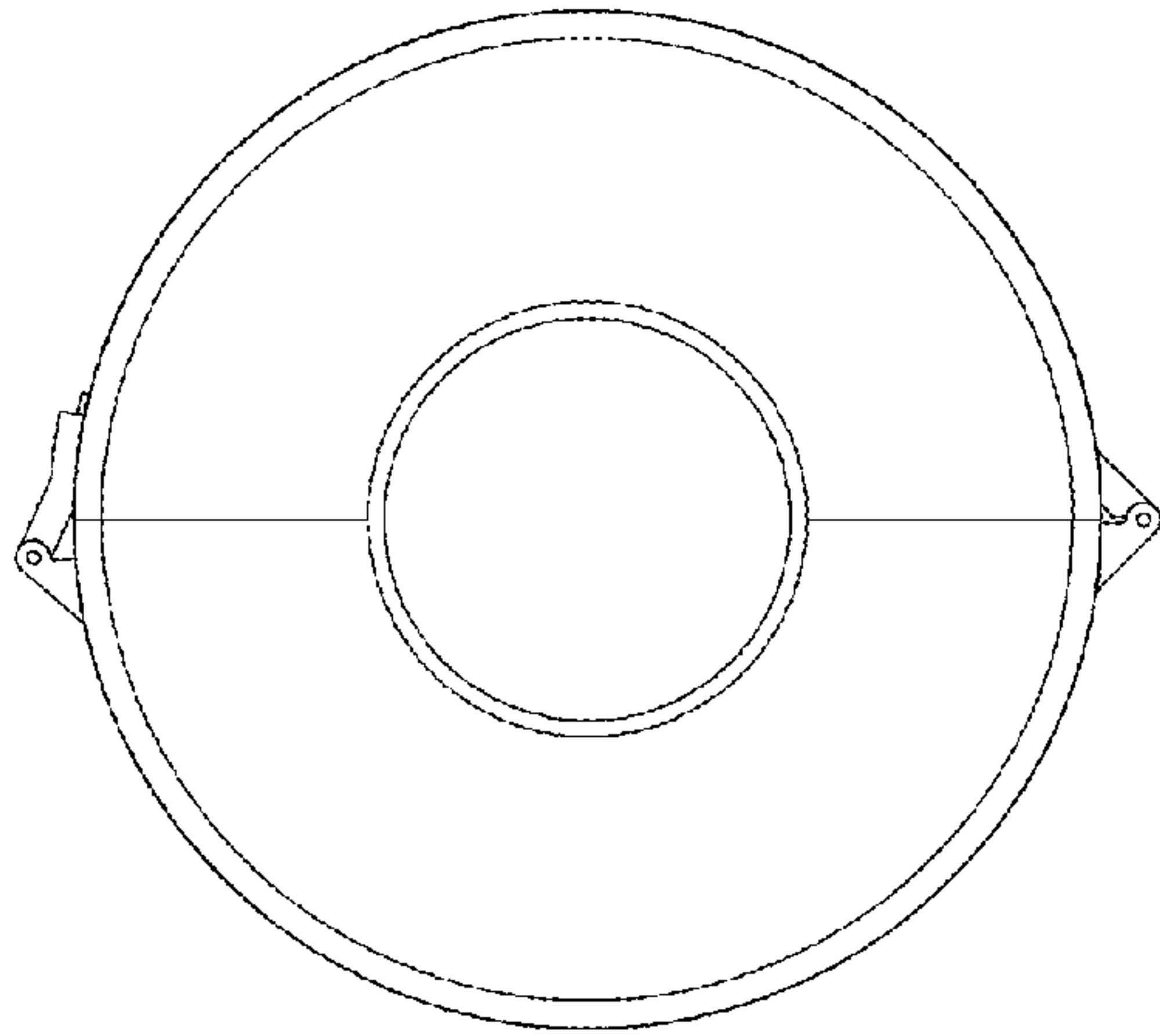


FIG. 4

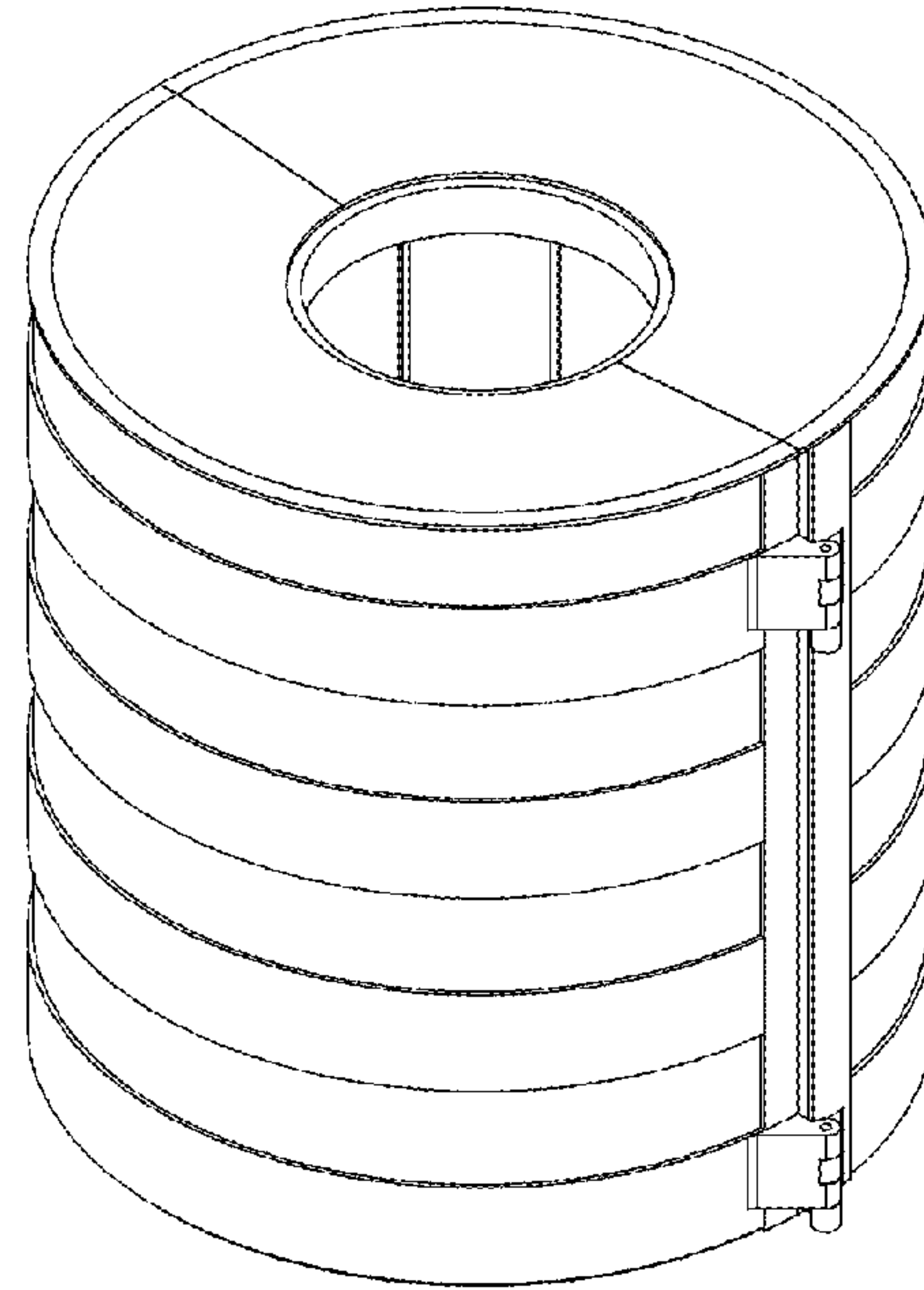


FIG. 5

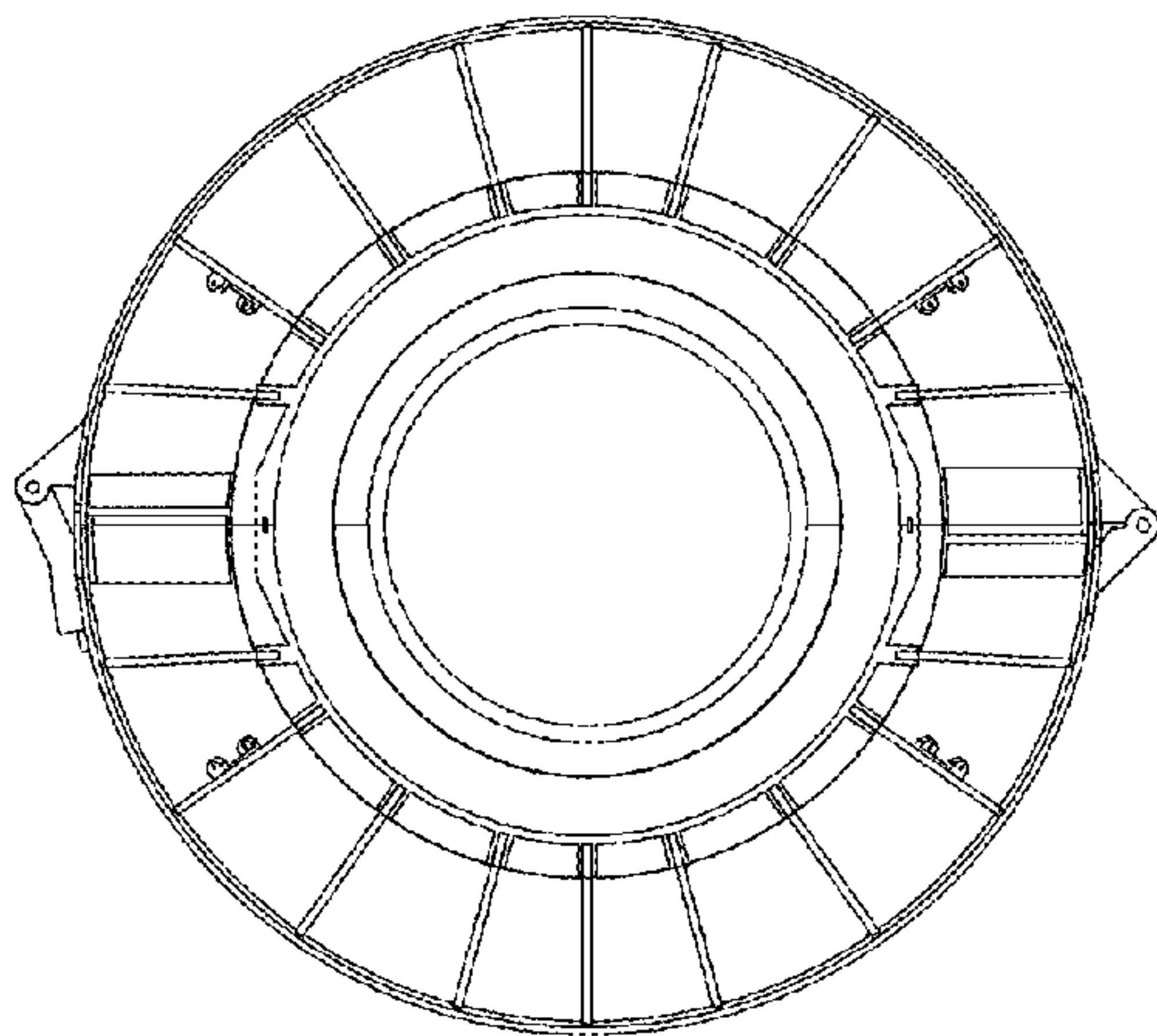


FIG. 6

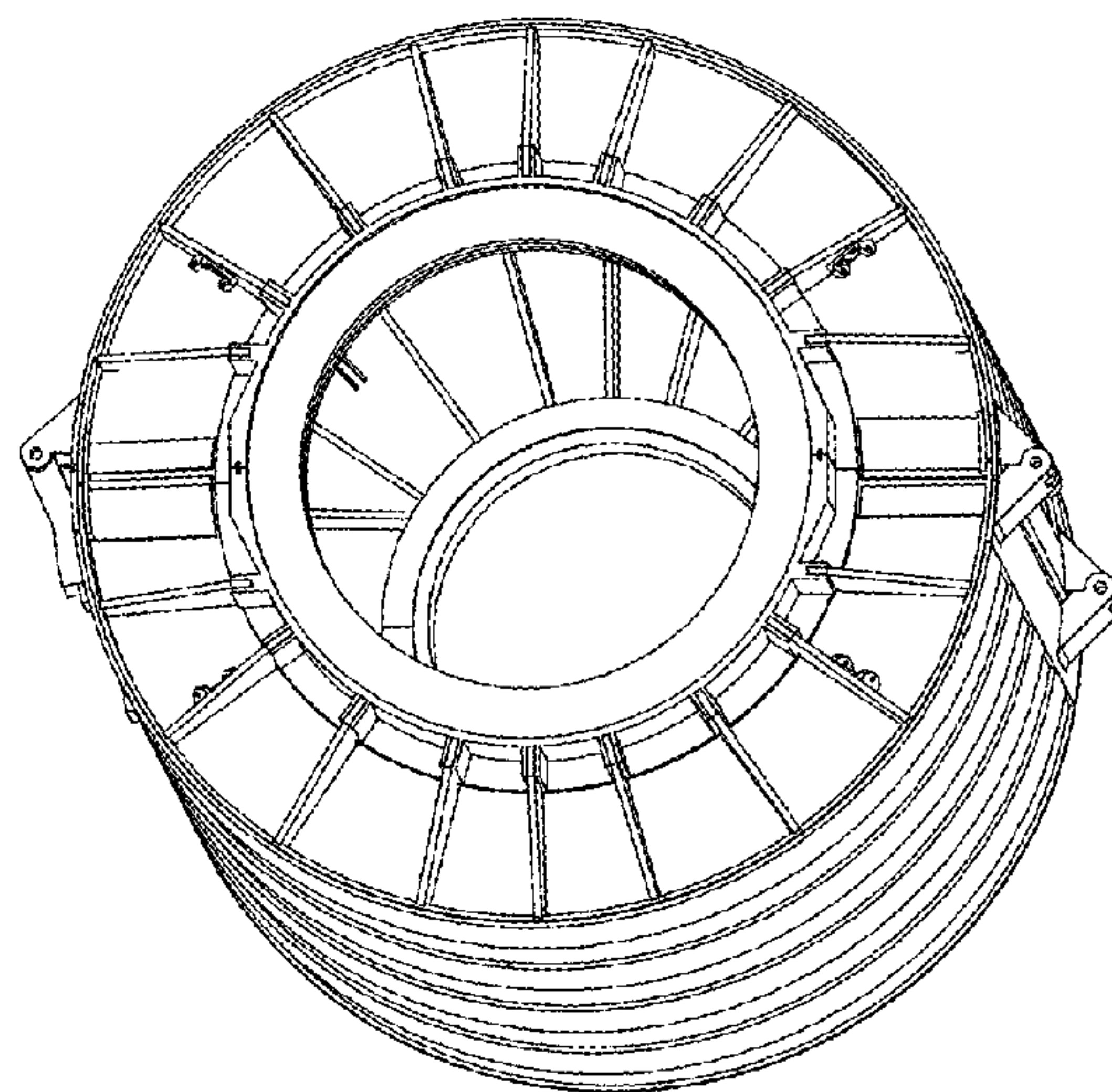


FIG. 7