



US00D744061S

(12) **United States Design Patent**
Dick et al.

(10) **Patent No.:** **US D744,061 S**

(45) **Date of Patent:** **** Nov. 24, 2015**

(54) **FISHING BOBBER**

(71) Applicant: **MMC Designs, LLC**, Fort Myers, FL (US)

(72) Inventors: **Ryan Matthew Dick**, Fort Myers, FL (US); **Christopher Michael Brightman**, Fort Myers, FL (US); **Josh Crank**, Fort Myers, FL (US)

(73) Assignee: **MMC DESIGNS, LLC.**, Ft. Myers, FL (US)

(**) Term: **14 Years**

(21) Appl. No.: **29/488,910**

(22) Filed: **Apr. 24, 2014**

(51) **LOC (10) Cl.** **22-05**

(52) **U.S. Cl.**
USPC **D22/146**

(58) **Field of Classification Search**
USPC D22/145-146, 126; 43/43.1, 44.87, 43/44.89, 44.9, 44.91, 44.92
See application file for complete search history.

(56) **References Cited**

U.S. PATENT DOCUMENTS

2,807,907	A *	10/1957	Brite	43/44.91
D314,417	S *	2/1991	Lovelady et al.	D22/146
D416,975	S *	11/1999	Haney	D22/146
D423,637	S *	4/2000	Matthews	D22/145
D458,982	S *	6/2002	Ratte	D22/145
D463,842	S *	10/2002	Gentry	D22/145
7,162,830	B2 *	1/2007	Sims	43/44.9

D562,934	S *	2/2008	Haney	D22/146
7,805,881	B2 *	10/2010	Kavanaugh	43/44.91
8,341,872	B2 *	1/2013	Ellard	43/44.9
D699,317	S *	2/2014	Garofalo et al.	D22/145

* cited by examiner

Primary Examiner — Catheri Oliver-Garcia

(57) **CLAIM**

We claim the ornamental design for a fishing bobber, as shown and described.

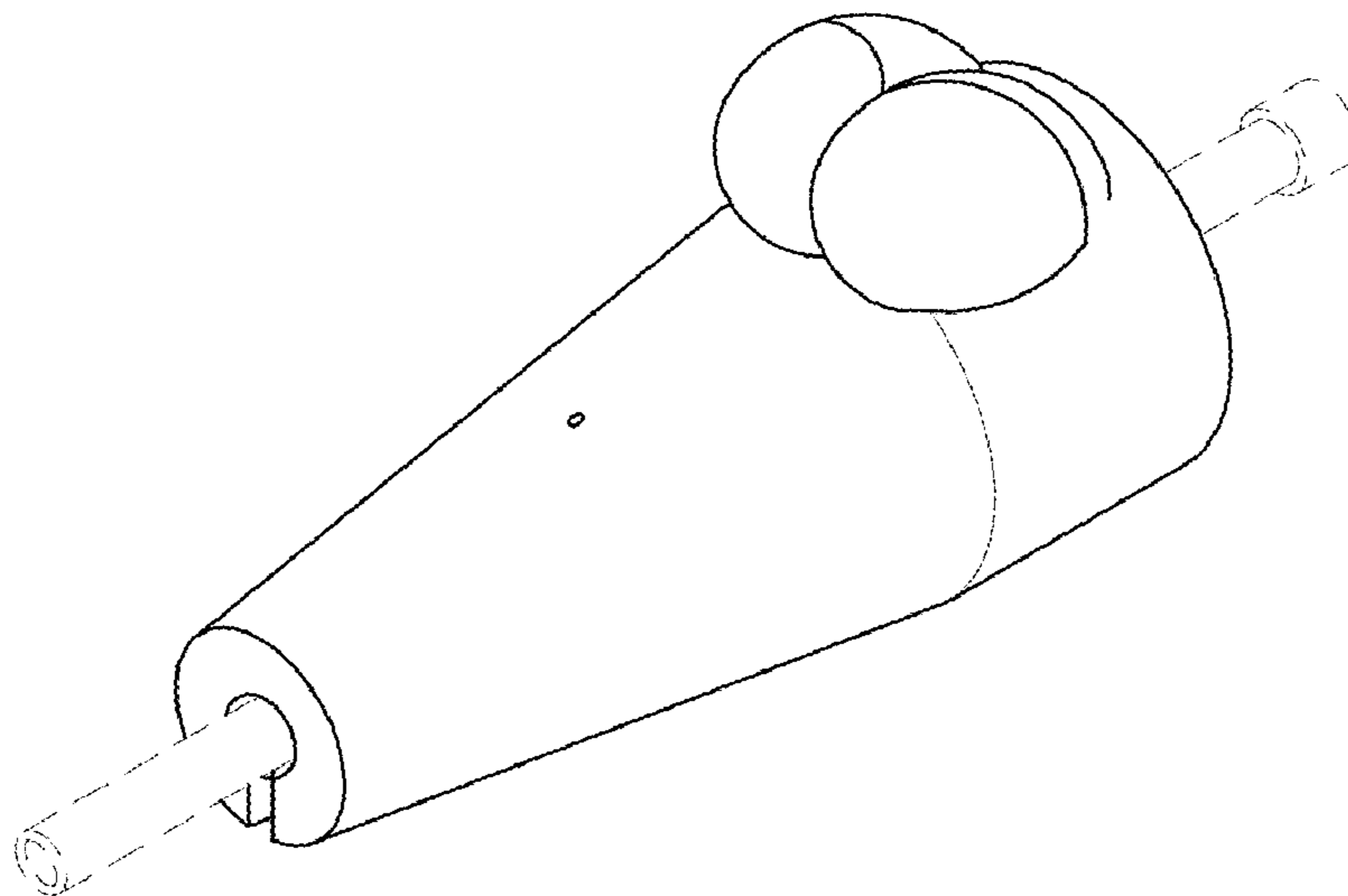
DESCRIPTION

FIG. 1 illustrates a left, front-side perspective view of a fishing bobber showing our ornamental design, having a shape, definition and figure of a torso of a woman wearing a bikini. FIG. 2 illustrates a right, front-side perspective view thereof. FIG. 3 illustrates a right, rear-side perspective view thereof. FIG. 4 illustrates a left, rear-side perspective view thereof. FIG. 5 illustrates a right, front-side elevational view thereof. FIG. 6 illustrates a left, front-side elevational view thereof. FIG. 7 illustrates a left, rear-side elevational view thereof. FIG. 8 illustrates a right, rear-side elevational view thereof. FIG. 9 illustrates a planar, right-side view thereof. FIG. 10 illustrates a planar, front view thereof. FIG. 11 illustrates a planar, left-side view thereof. FIG. 12 illustrates a planar, rear view thereof. FIG. 13 illustrates a planar, bottom view thereof; and, FIG. 14 illustrates a planar, top view thereof.

The appearance of the interior portions of the fishing bobber are not shown and disclaimed and form no part of the claimed design.

Any broken line illustrations contained in any of the Figures is not part of the design sought to be patented, for illustration purposes only to show environment.

1 Claim, 7 Drawing Sheets



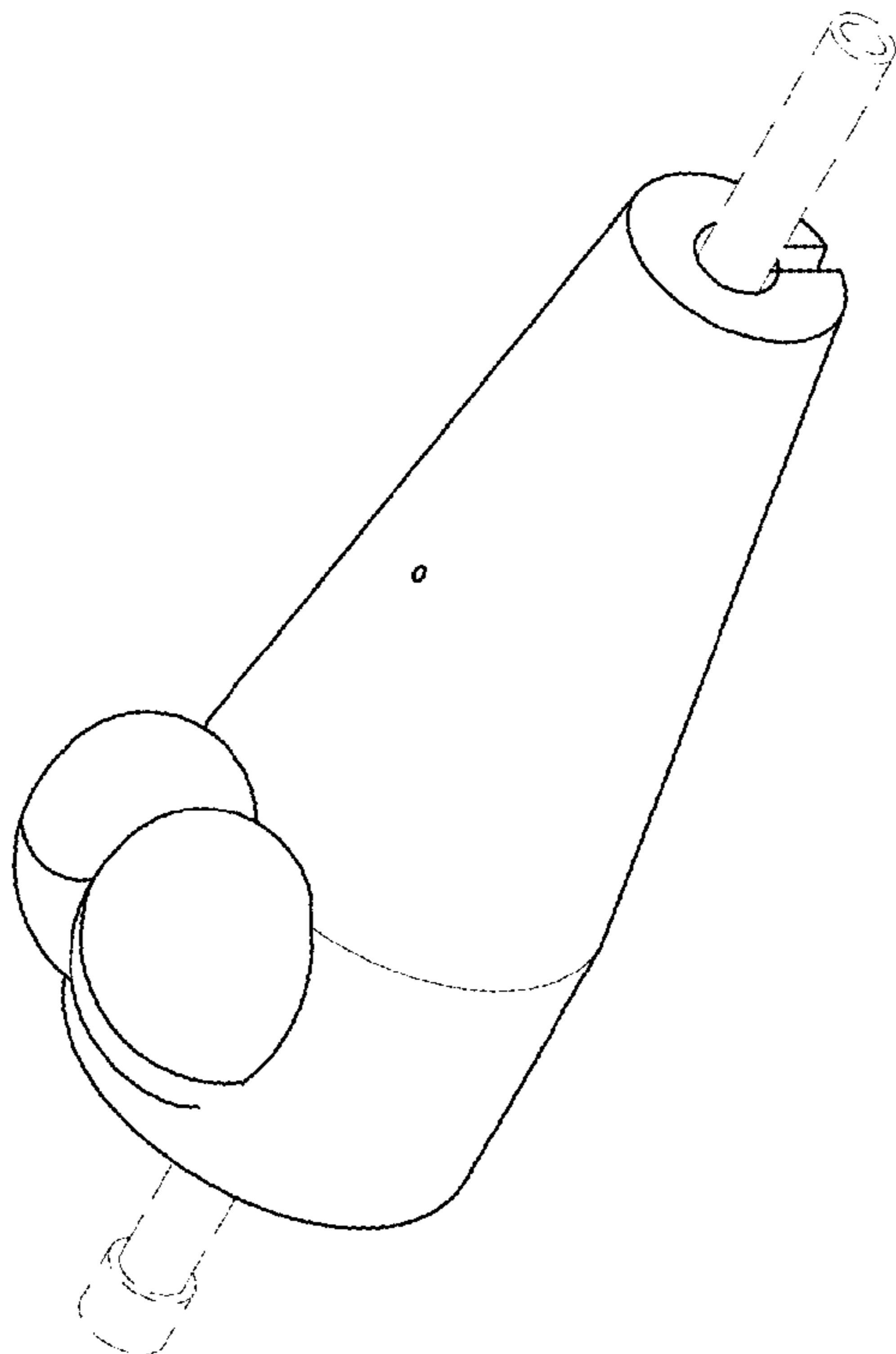


FIG. 1

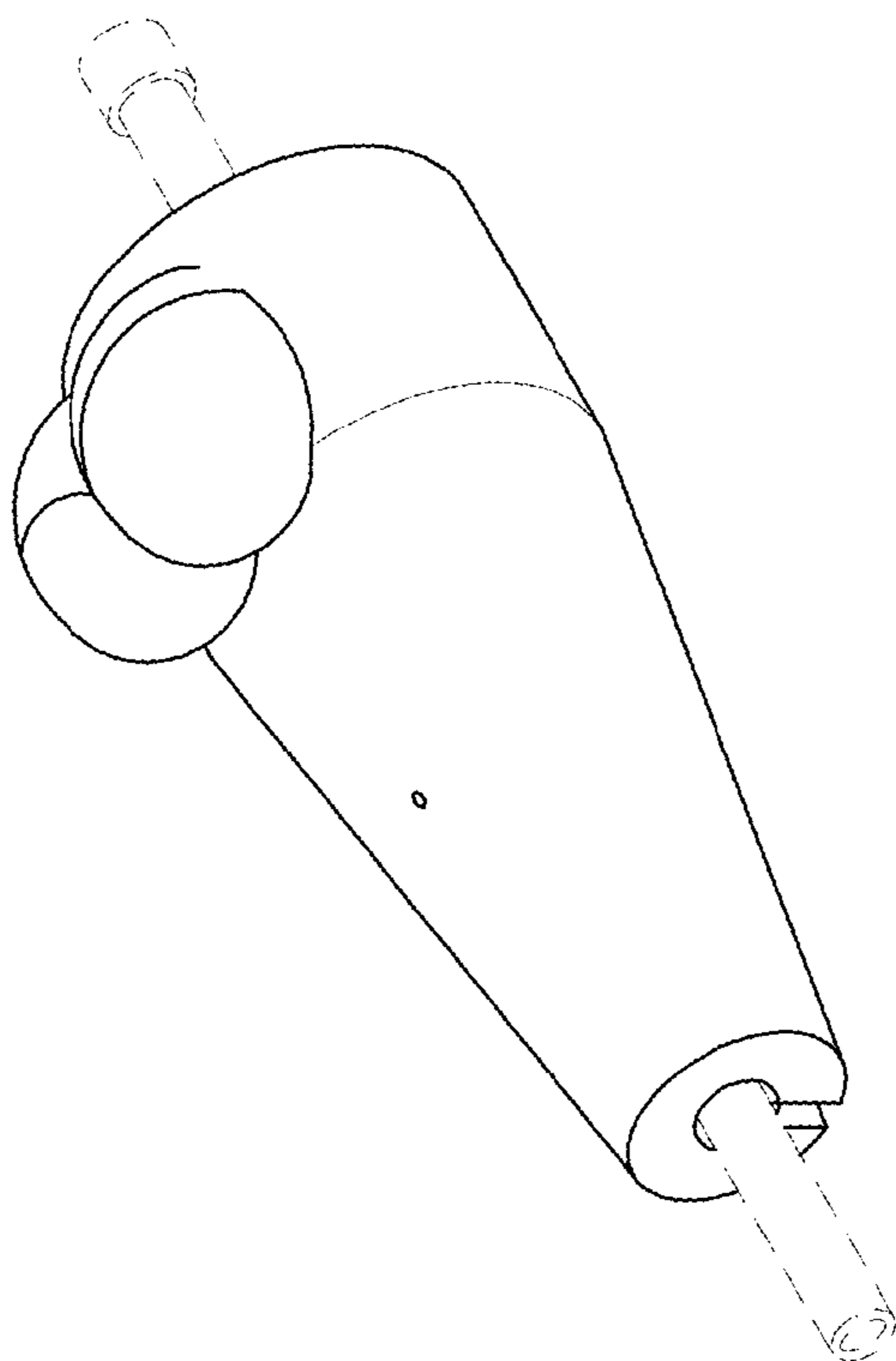


FIG. 2

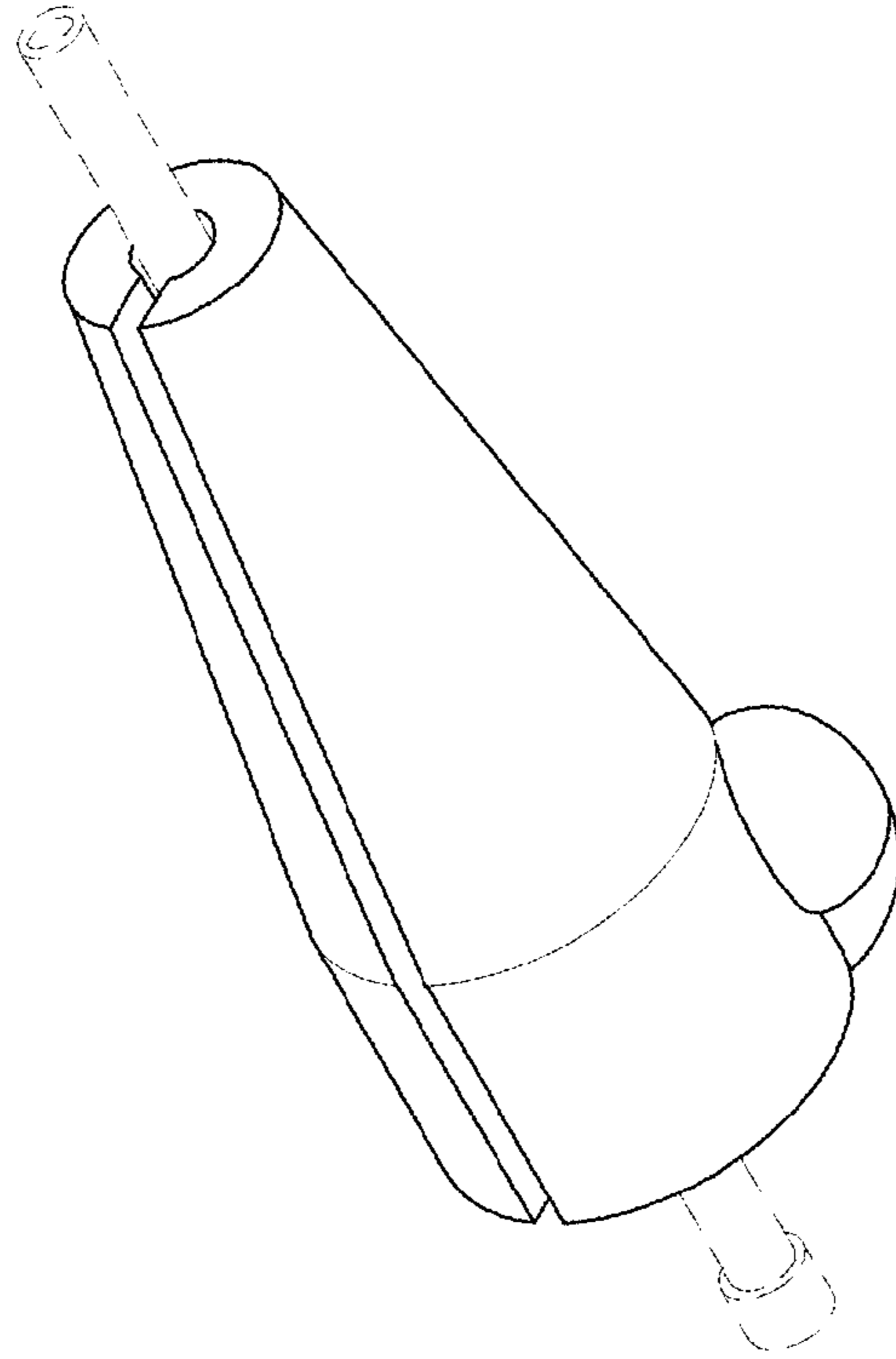


FIG. 4

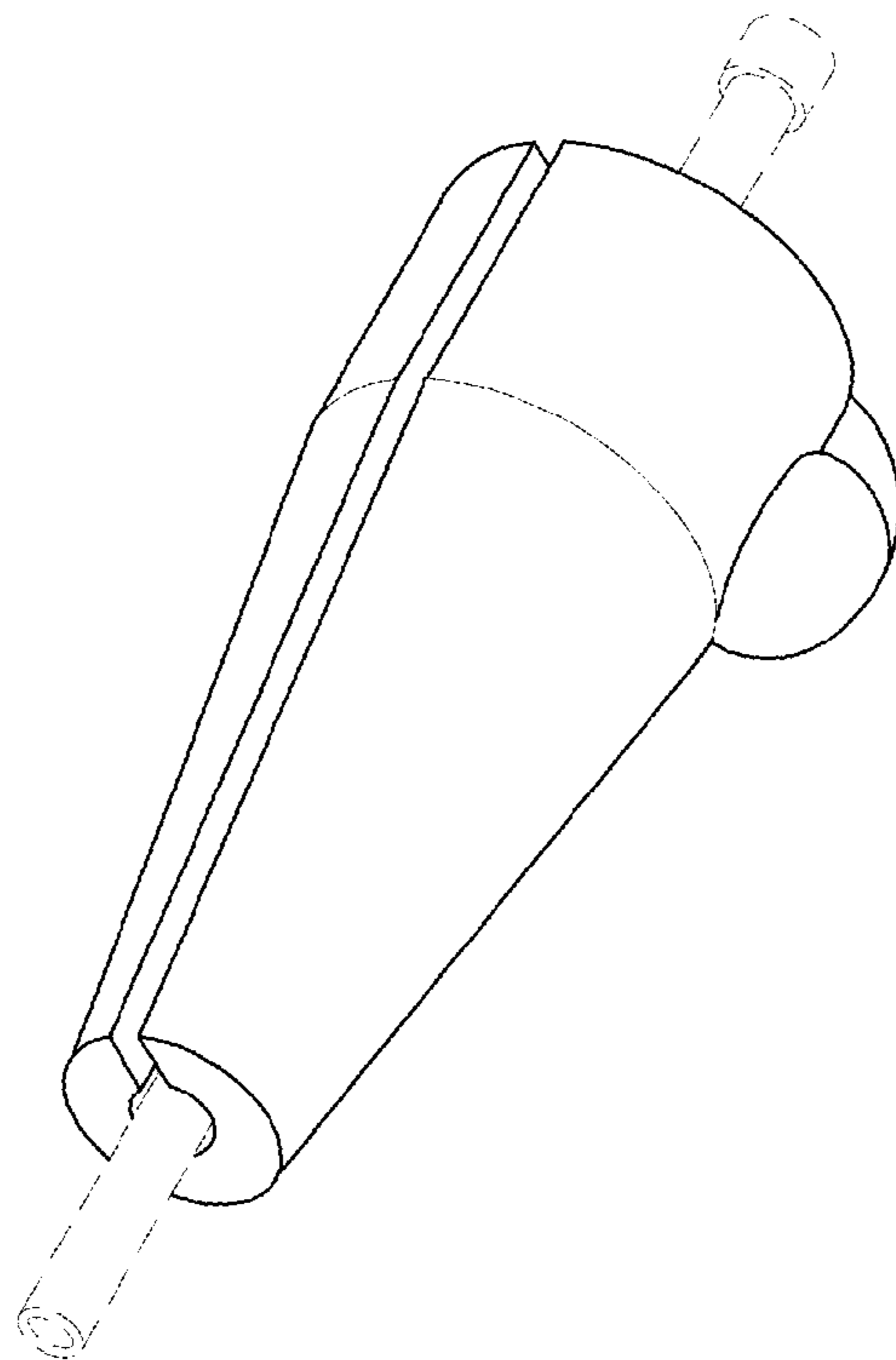


FIG. 3

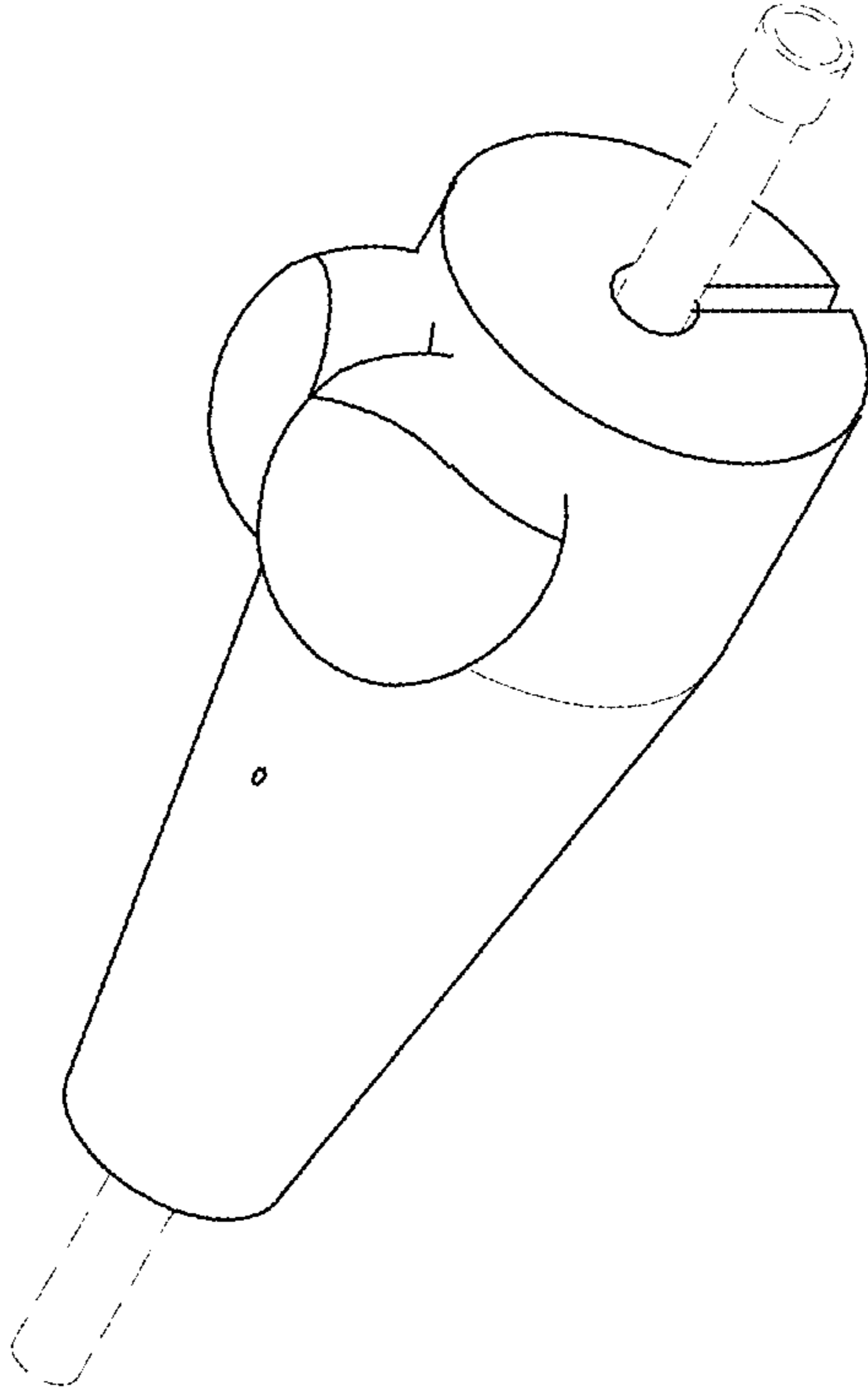


FIG. 5

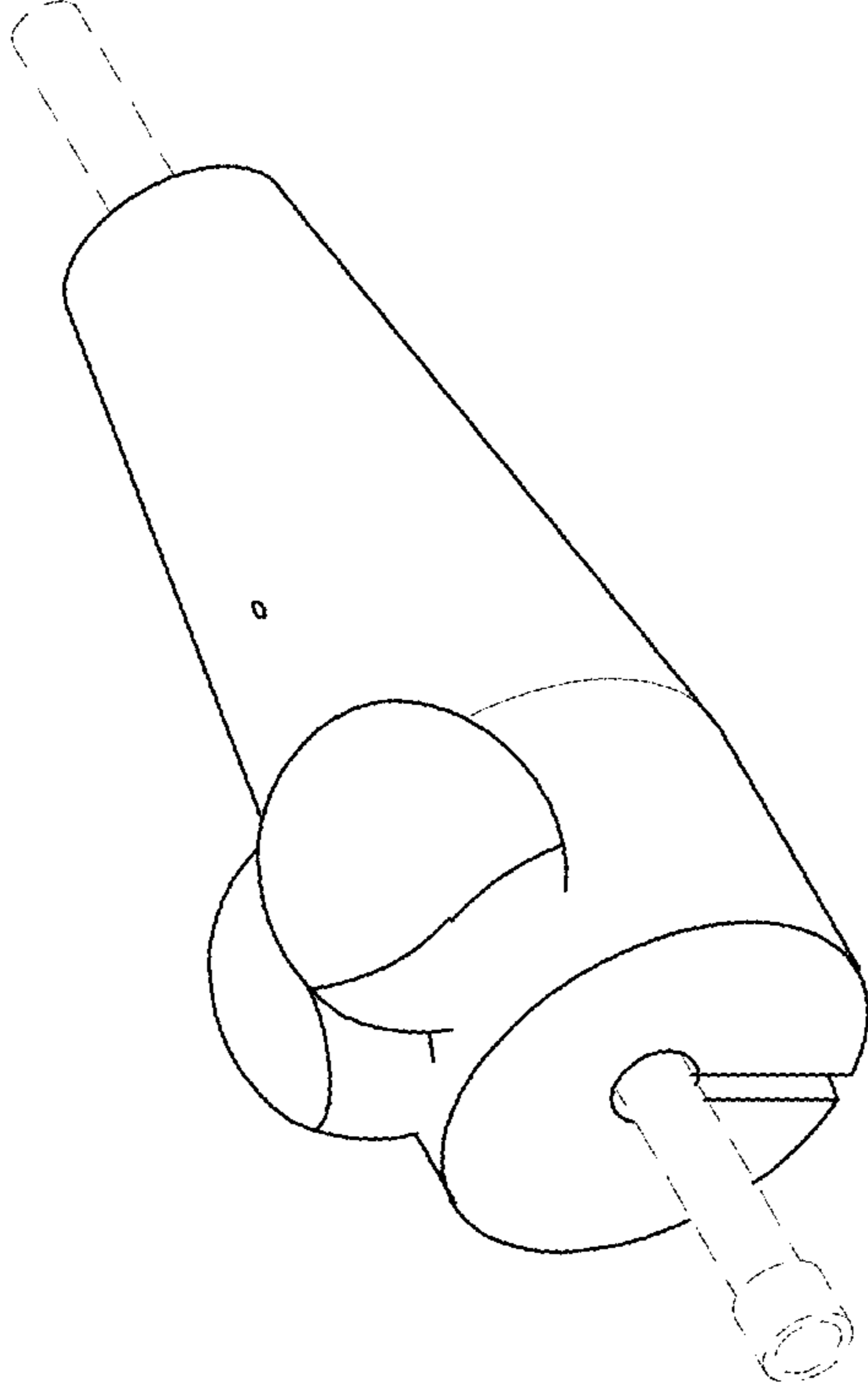


FIG. 6

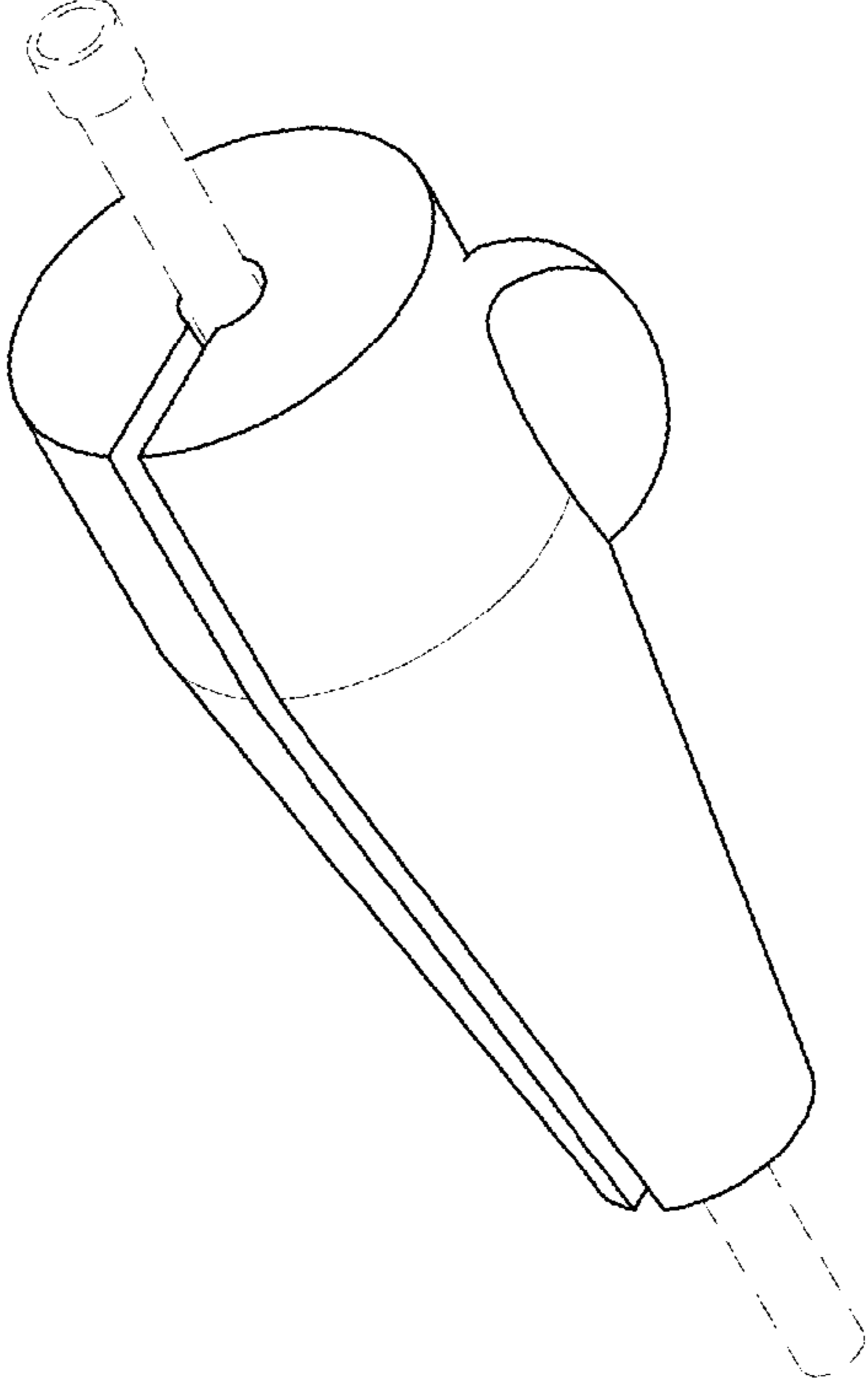


FIG. 8

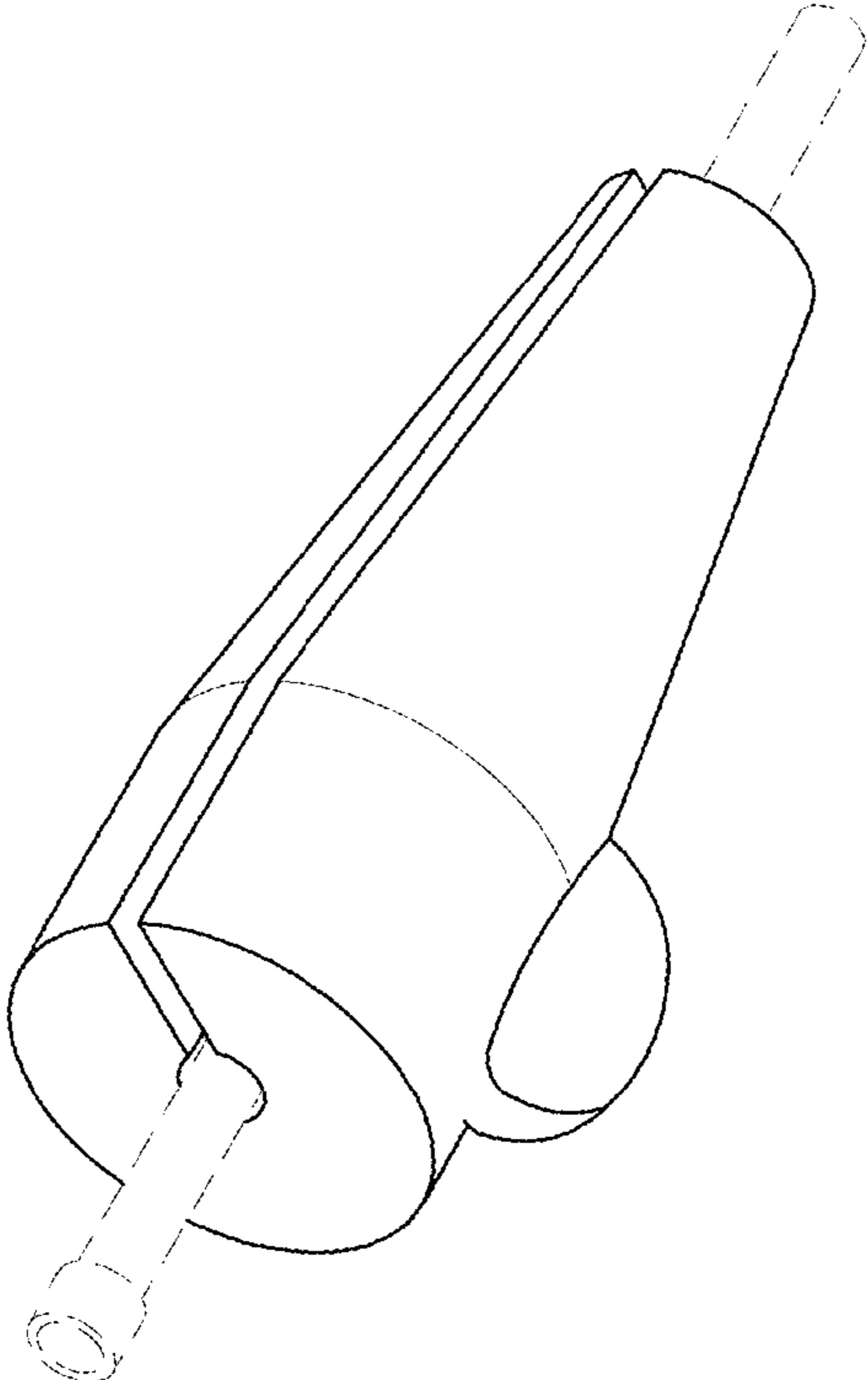


FIG. 7

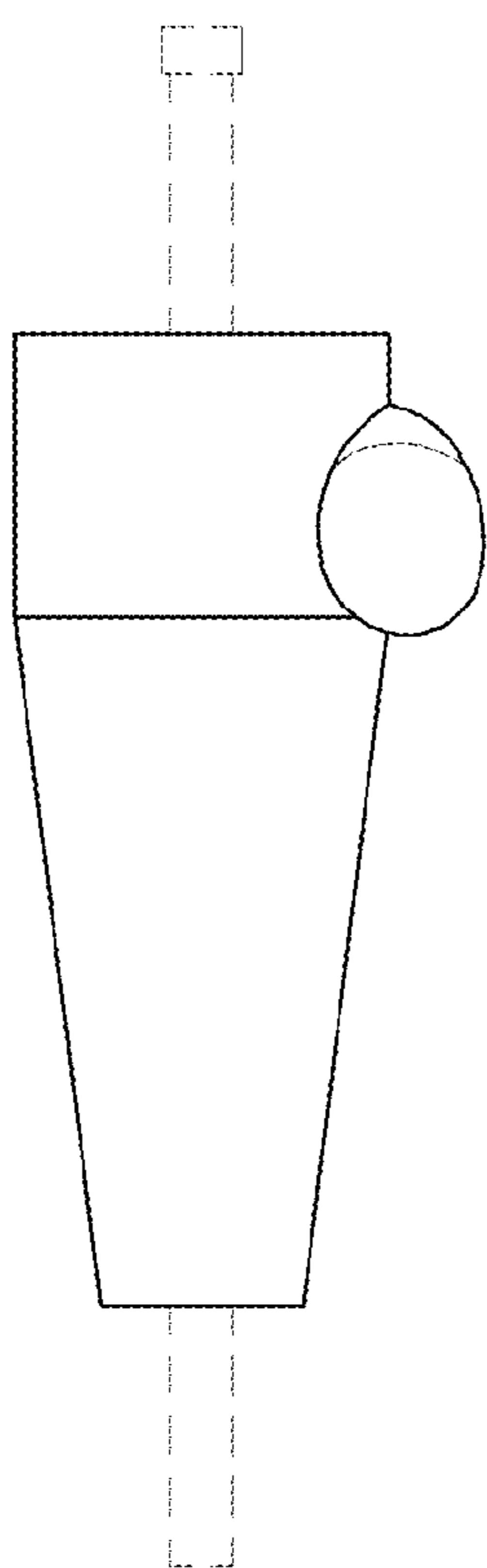


FIG. 9

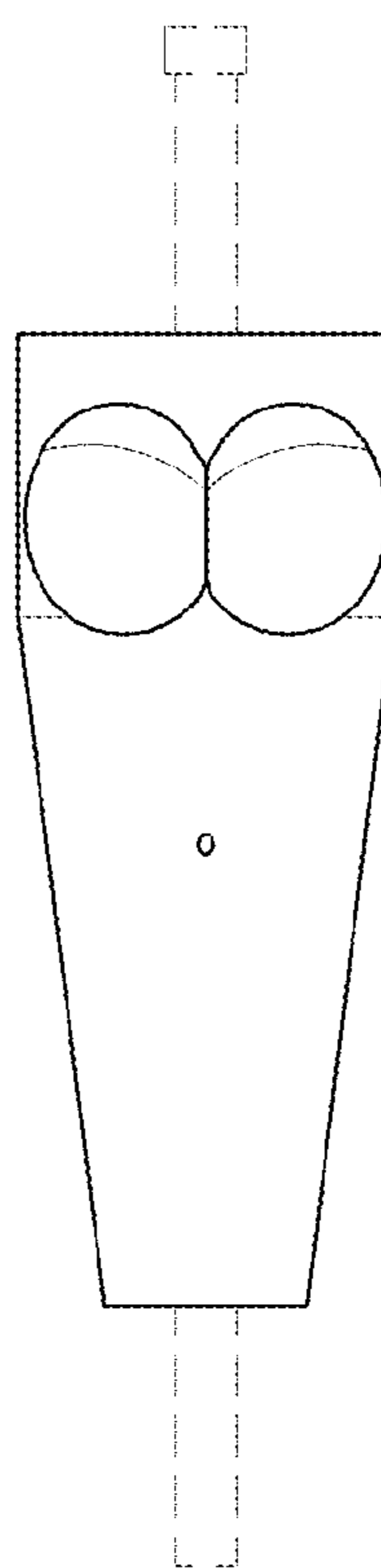


FIG. 10

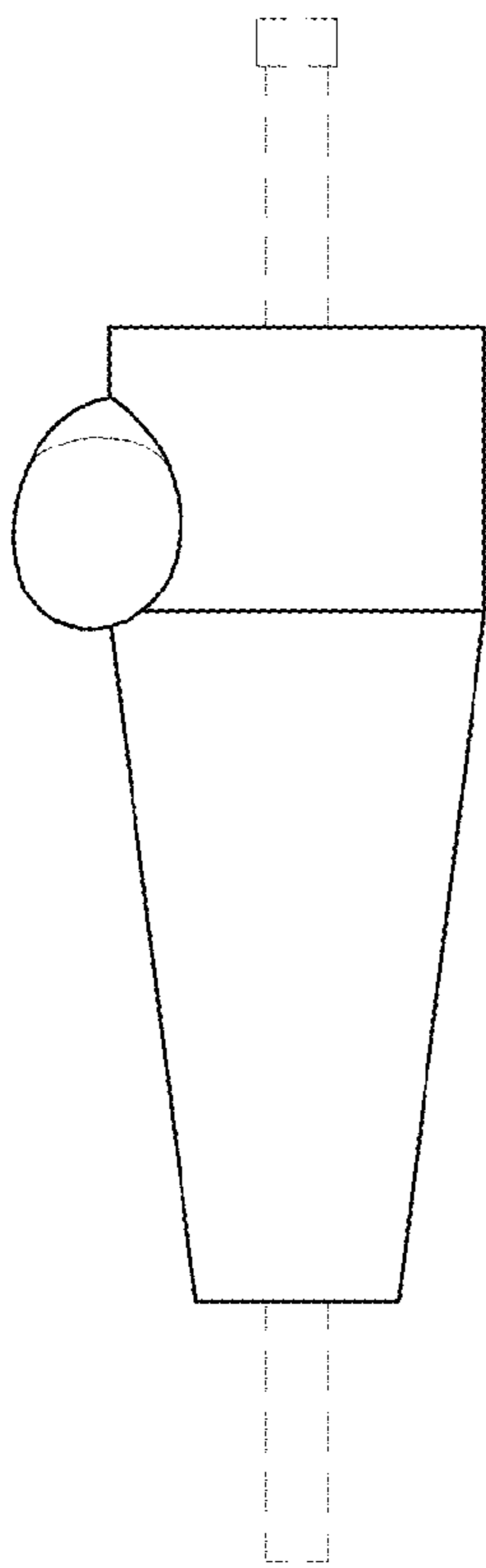


FIG. 11

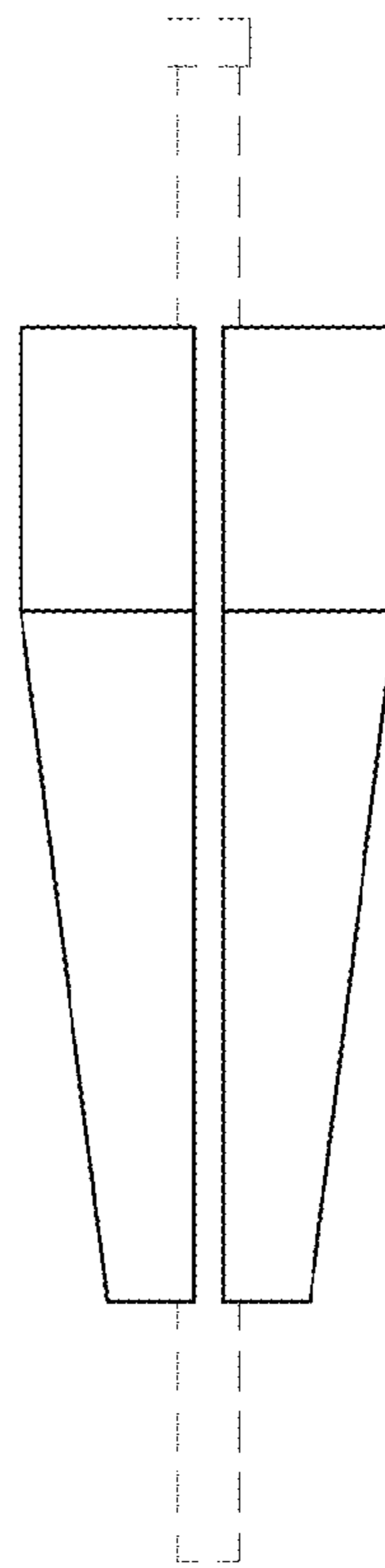


FIG. 12

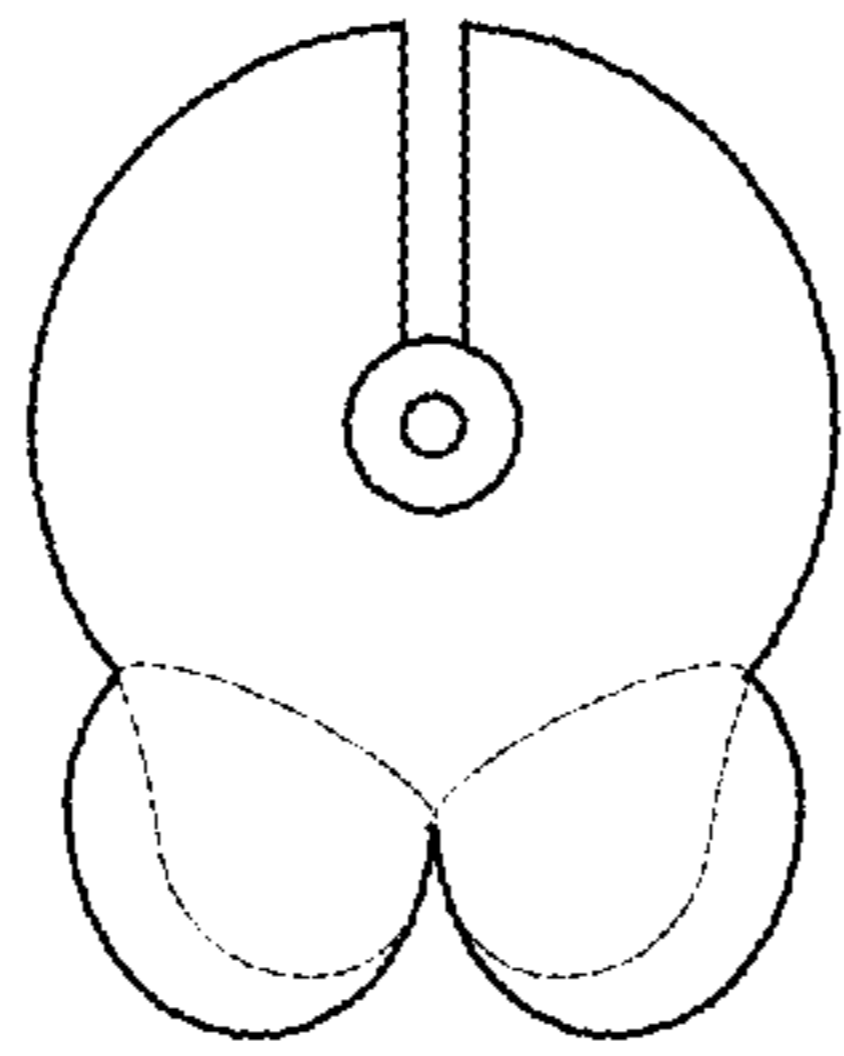


FIG. 14

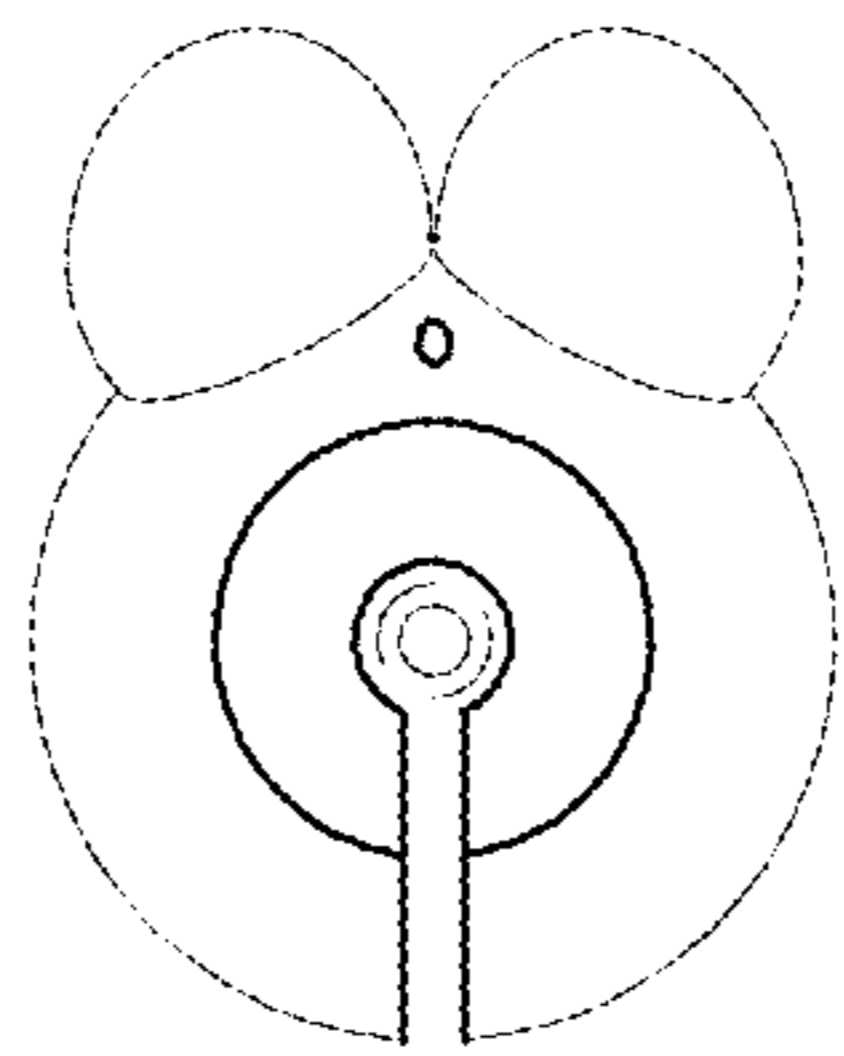


FIG. 13