



US00D744055S

(12) **United States Design Patent**  
**Bitz et al.**

(10) **Patent No.:** **US D744,055 S**  
(45) **Date of Patent:** **\*\* Nov. 24, 2015**

(54) **GUN STOCK WITH AN INTERCHANGEABLE BARREL CHANNEL IN THE FOREND**

**DESCRIPTION**

(71) Applicants: **Donald F. Bitz**, Lake Worth, FL (US);  
**Thomas O. Pierce**, Rochester, NY (US)

(72) Inventors: **Donald F. Bitz**, Lake Worth, FL (US);  
**Thomas O. Pierce**, Rochester, NY (US)

(\*\*) Term: **14 Years**

(21) Appl. No.: **29/489,061**

(22) Filed: **Apr. 25, 2014**

(51) **LOC (10) Cl.** ..... **22-01**

(52) **U.S. Cl.**  
USPC ..... **D22/108**

(58) **Field of Classification Search**  
USPC ..... D22/103, 108; D21/572-575; 42/51,  
42/71.01, 75.01, 75.02, 90, 94, 134, 136,  
42/139, 125, 72, 111; 89/40.06, 41.19,  
89/37.04, 33.04, 191.01, 200-204;  
124/67, 66, 72, 74  
CPC ..... F41C 7/00; F41C 7/11; F41C 7/12  
See application file for complete search history.

(56) **References Cited**

**U.S. PATENT DOCUMENTS**

6,487,805	B1 *	12/2002	Reynolds	.....	42/75.03
D631,526	S *	1/2011	Torre et al.	.....	D22/108
D637,681	S *	5/2011	Bentley et al.	.....	D22/108
D679,356	S *	4/2013	Klotz	.....	D22/103
D692,084	S *	10/2013	Eberle	.....	D22/103
D701,283	S *	3/2014	Vera et al.	.....	D22/108
D712,498	S *	9/2014	Du Plooy	.....	D22/108

(Continued)

*Primary Examiner* — Michael A Pratt

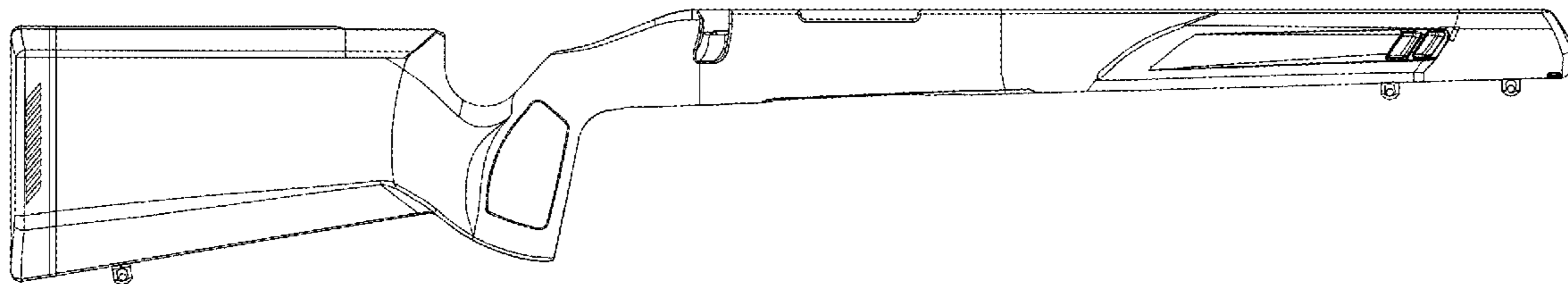
(74) *Attorney, Agent, or Firm* — Sonya C. Harris; Invention Services

(57) **CLAIM**

The ornamental design for the gun stock with an interchangeable barrel channel in the forend, as shown and described.

FIG. 1 is a right side elevational view of our design;  
 FIG. 2 is a right side elevational view of our design, the broken lines depicting an exemplary barrel attached to our design, and is environmental structure for illustrative purposes only, and form no part of the claimed design;  
 FIG. 3 is a top right side perspective view of our design, the broken lines depicting an exemplary barrel attached to our design, and is environmental structure for illustrative purposes only, and form no part of the claimed design;  
 FIG. 4 is a right side perspective exploded view of our design, the broken lines depicting an exemplary barrel attached to our design, and is environmental structure for illustrative purposes only, and form no part of the claimed design;  
 FIG. 5 is a left side elevational view of our design;  
 FIG. 6 is a left side elevational view of our design, the broken lines depicting an exemplary barrel attached to our design, and is environmental structure for illustrative purposes only, and form no part of the claimed design;  
 FIG. 7 is a left side perspective exploded view of our design;  
 FIG. 8 is a top left side perspective view of our design, the broken lines depicting an exemplary barrel attached to our design, and is environmental structure for illustrative purposes only, and form no part of the claimed design;  
 FIG. 9 is a top plan view of our design;  
 FIG. 10 is a top plan view of our design, the broken lines depicting an exemplary barrel attached to our design, and is environmental structure for illustrative purposes only, and form no part of the claimed design;  
 FIG. 11 is a bottom plan view of our design;  
 FIG. 12 is a front elevational view of our design;  
 FIG. 13 is a rear elevational view of our design; and,  
 FIG. 14 is a rear elevational view of our design, the broken lines depicting an exemplary barrel attached to our design, and is environmental structure for illustrative purposes only, and form no part of the claimed design.

**1 Claim, 14 Drawing Sheets**



# US D744,055 S

Page 2

---

(56)

## References Cited

U.S. PATENT DOCUMENTS

D725,215 S \* 3/2015 Eberle ..... D22/108  
2012/0159828 A1\* 6/2012 Jarboe et al. .... 42/16

D712,996 S \* 9/2014 Tresserras Torre ..... D22/108 \* cited by examiner

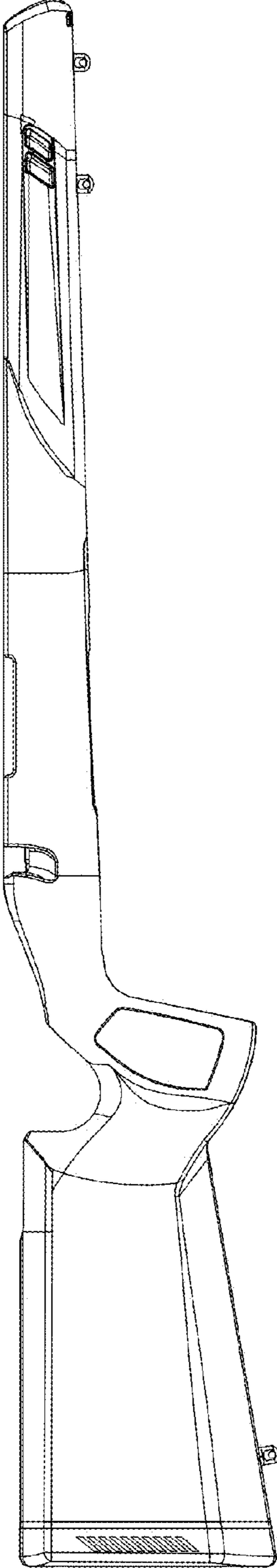


FIG. 1

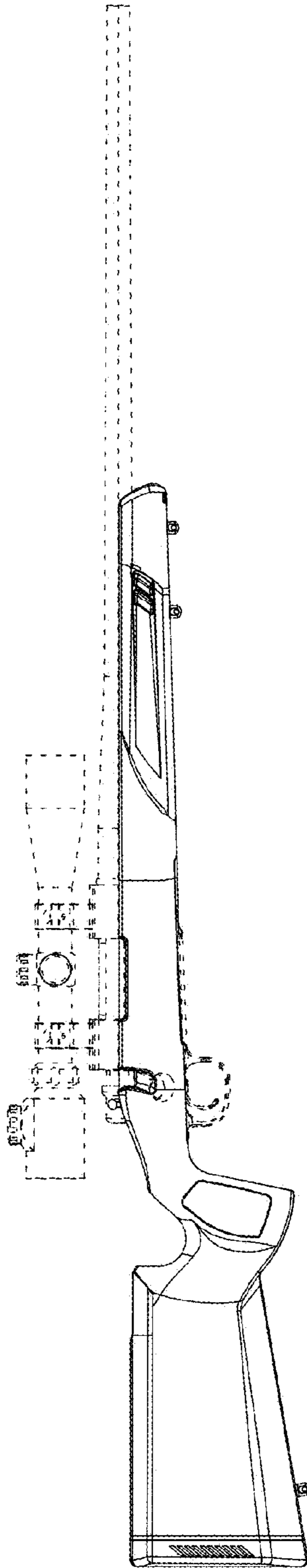


FIG. 2

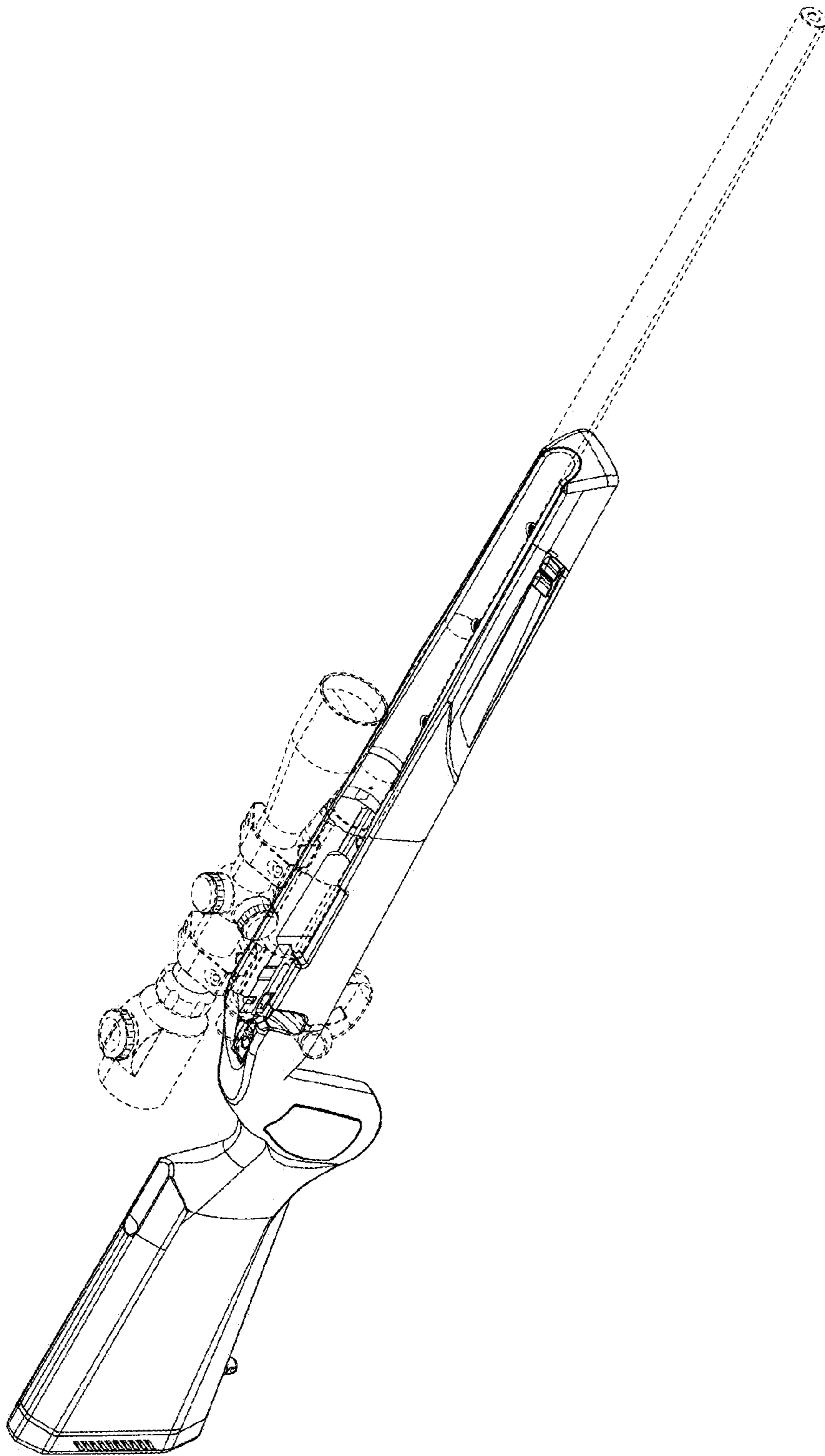


FIG. 3

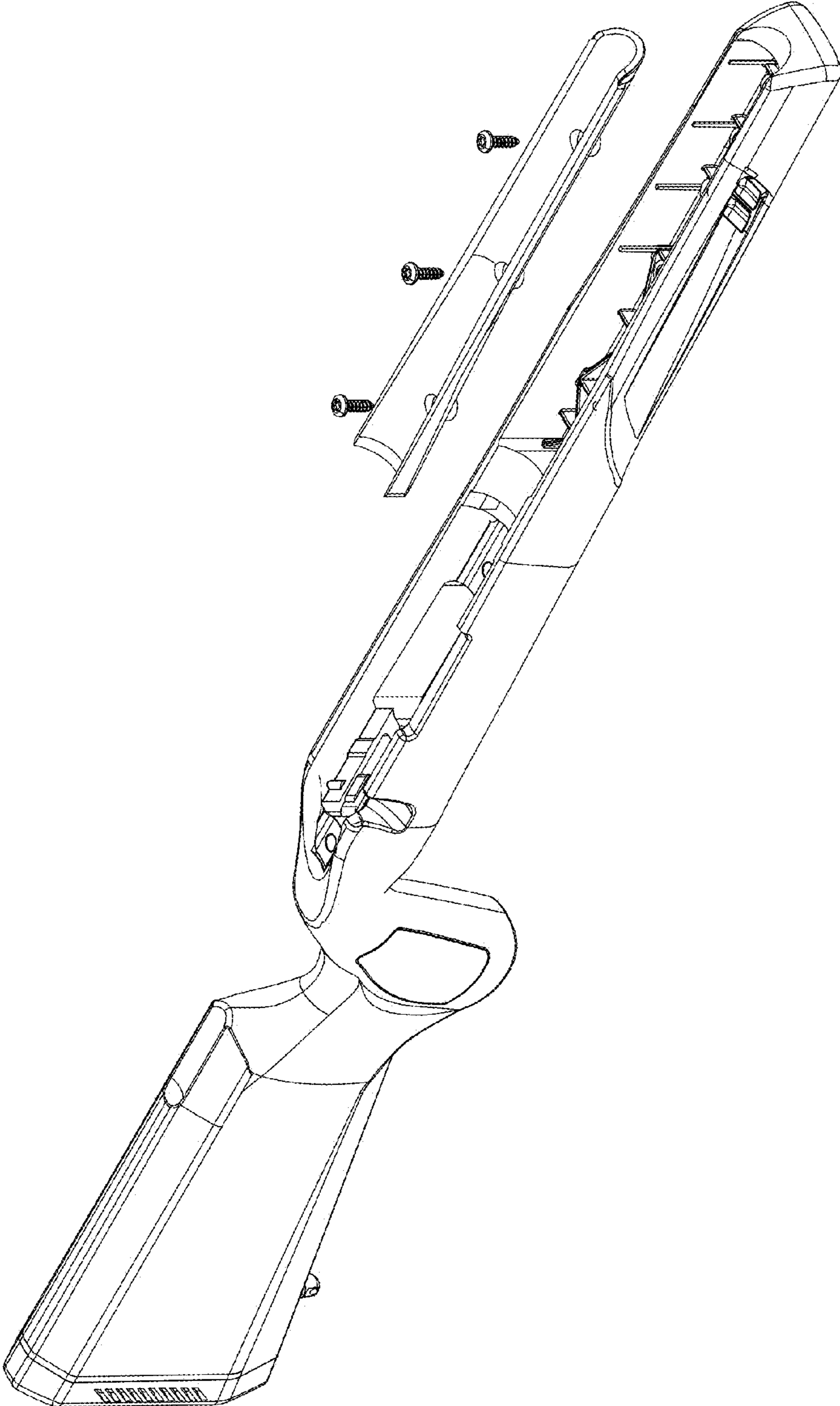


FIG. 4

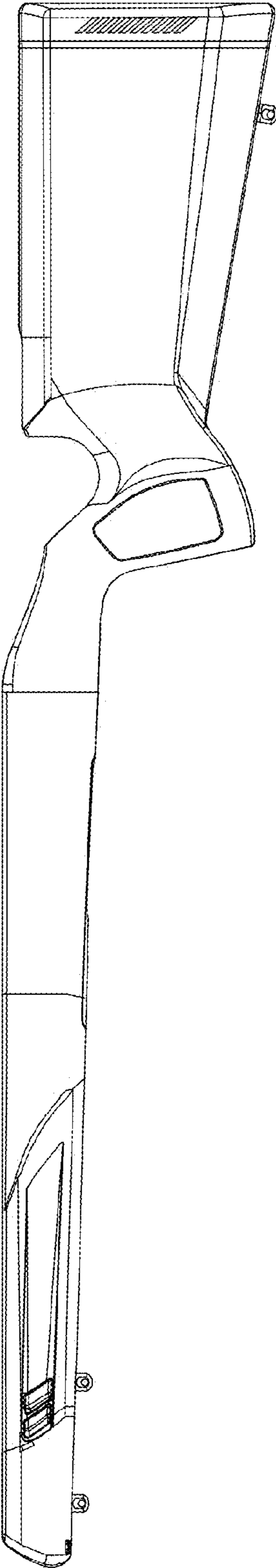


FIG. 5

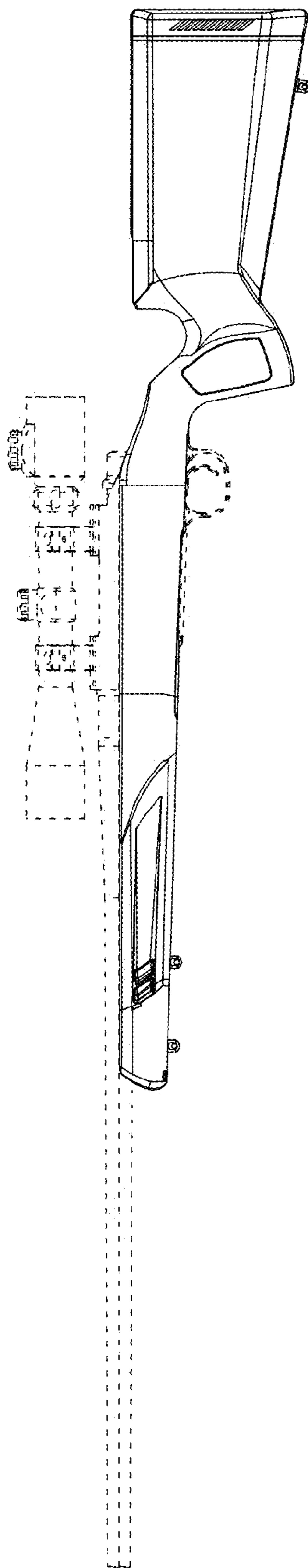


Fig. 6



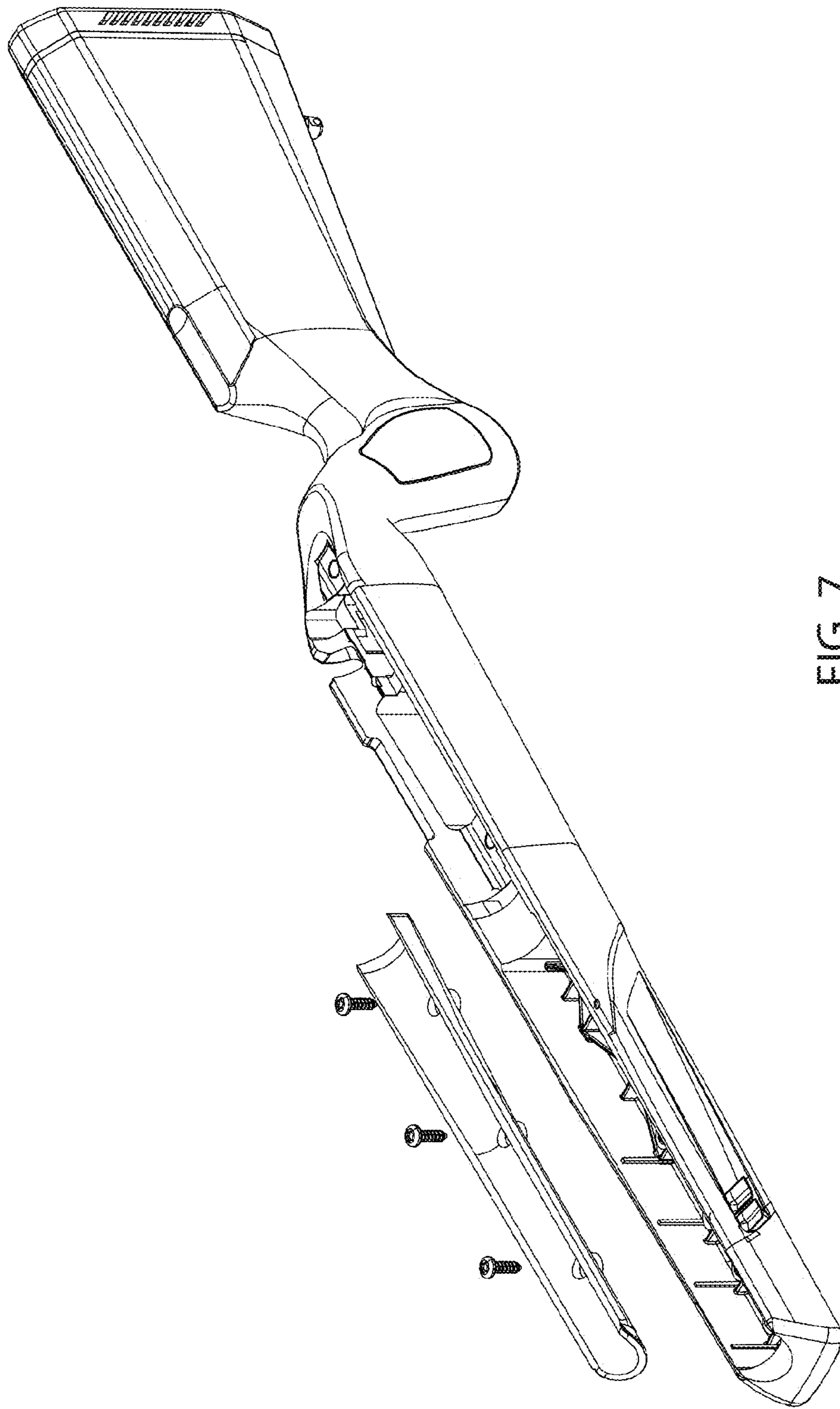


FIG. 7

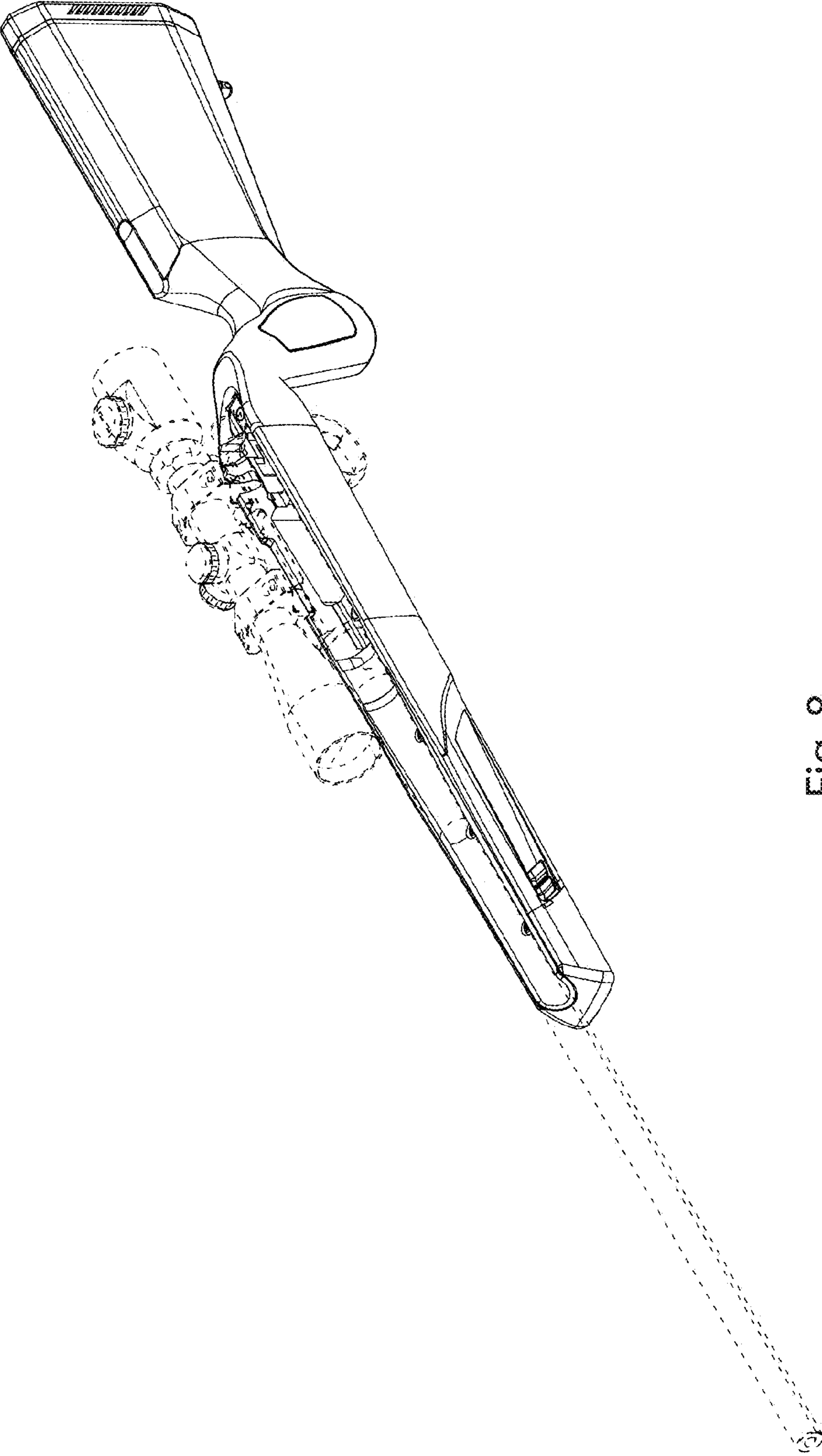


Fig. 8

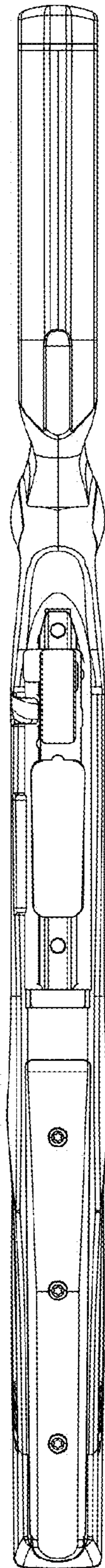


Fig. 9

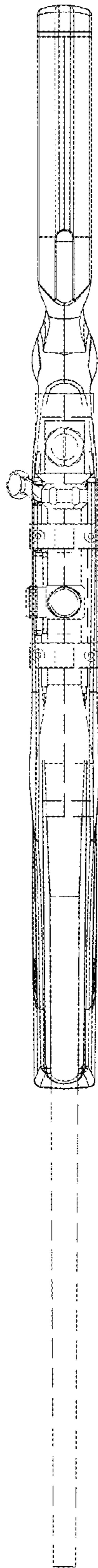


FIG. 10

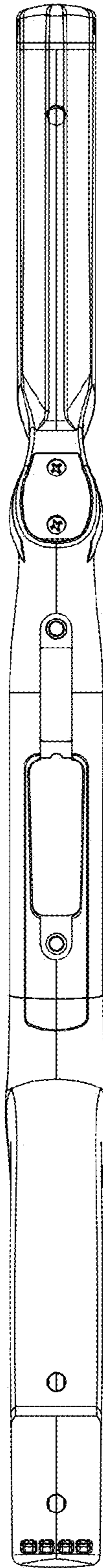


Fig. 11

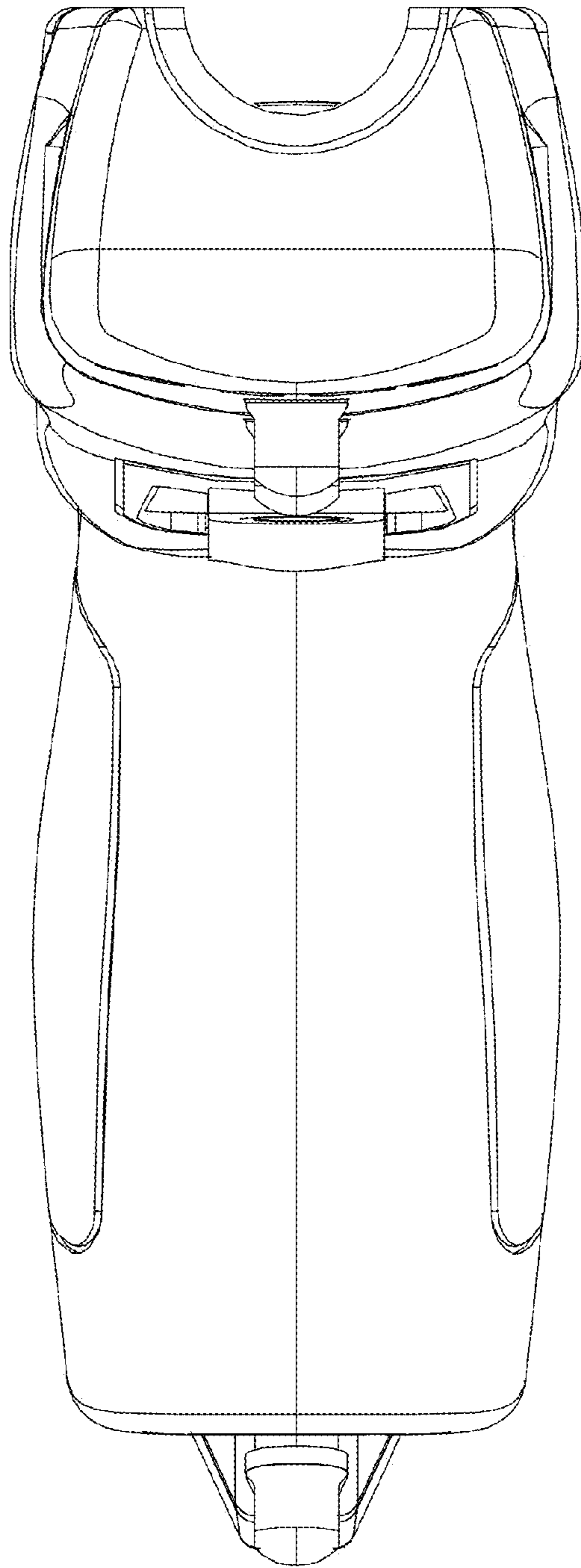


FIG. 12

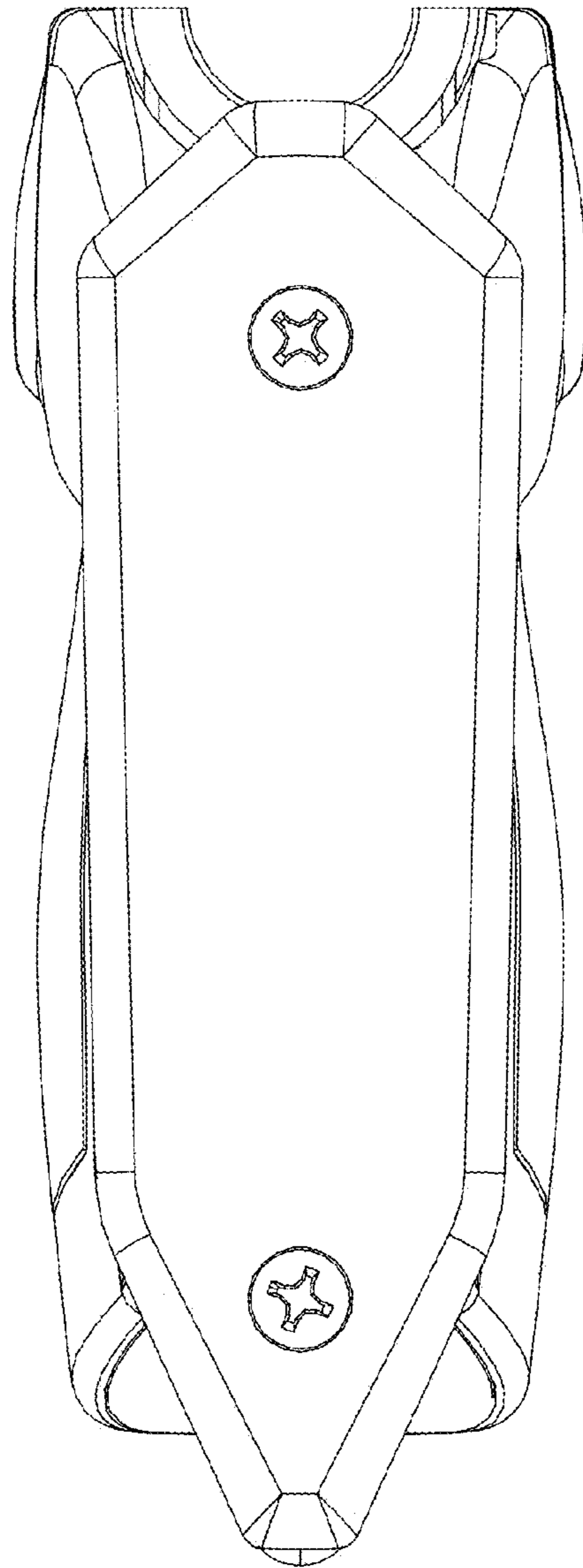


Fig. 13

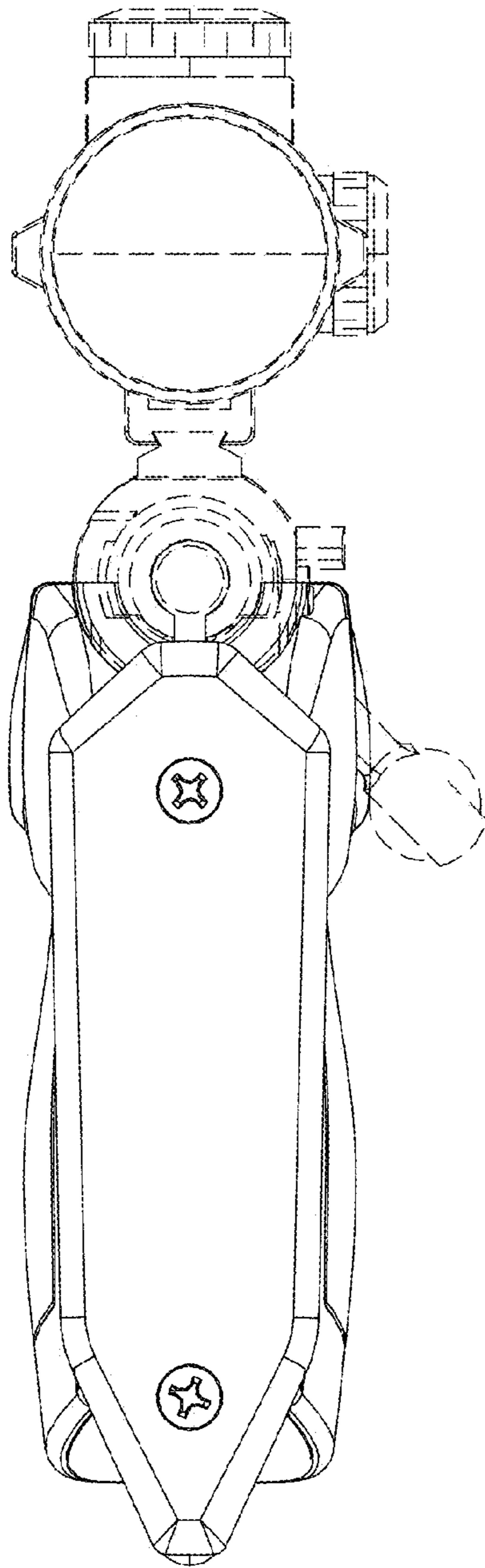


Fig. 14