



US00D744052S

(12) **United States Design Patent**
Rubey

(10) **Patent No.:** **US D744,052 S**

(45) **Date of Patent:** **** Nov. 24, 2015**

- (54) **BUOYANT POOL LOUNGE CHAIR FRAME**
- (71) Applicant: **TRC Recreation, LP**, Wichita Falls, TX (US)
- (72) Inventor: **Ulyss Ray Rubey**, Graham, TX (US)
- (73) Assignee: **TRC Recreation, LP**, Wichita Falls, TX (US)

(**) Term: **14 Years**

(21) Appl. No.: **29/496,503**

(22) Filed: **Jul. 14, 2014**

(51) **LOC (10) Cl.** **21-03**

(52) **U.S. Cl.**
USPC **D21/803**

(58) **Field of Classification Search**
USPC D21/769–770, 801, 803, 809; 114/253, 114/345–346; 441/35, 66, 74, 40–42, 441/129–132; 472/128–129; D12/5, 6, 316; D6/392, 595, 596, 601, 604, 605
CPC B63B 35/76
See application file for complete search history.

(56) **References Cited**

U.S. PATENT DOCUMENTS

3,074,759 A	1/1963	Bergenwall
3,154,345 A	10/1964	Lambrecht
3,620,570 A	11/1971	Wilson
3,984,888 A	10/1976	Delano
4,026,567 A	5/1977	Rye
4,358,866 A	11/1982	Rhodes
4,384,857 A	5/1983	Hoy, Jr.
4,435,165 A	3/1984	Johnson
4,484,781 A	11/1984	Phelps
4,662,852 A	5/1987	Schneider et al.
4,884,840 A	12/1989	Linden et al.
5,004,296 A	4/1991	Ziegenfuss, Jr.
5,052,965 A	10/1991	Klapp et al.
5,088,723 A	2/1992	Simmons

5,226,184 A	7/1993	Cheng	
5,307,527 A	5/1994	Schober	
5,403,220 A	4/1995	Goad, Sr.	
5,439,405 A	8/1995	Storey et al.	
D406,870 S *	3/1999	Bauman	D21/803
D416,063 S *	11/1999	Scheurer et al.	D21/809
6,045,423 A	4/2000	Silvia	
6,059,360 A	5/2000	Bedard	
6,086,150 A	7/2000	Scheurer et al.	
6,224,444 B1 *	5/2001	Klimenko	441/130
6,296,305 B1	10/2001	Lamka et al.	
6,312,054 B1	11/2001	Scheurer et al.	
6,527,343 B2	3/2003	Scheurer et al.	
6,691,337 B1	2/2004	Banks	
6,783,181 B2	8/2004	Scheurer et al.	
7,182,401 B2	2/2007	Scheurer et al.	

(Continued)

Primary Examiner — Zenia Bennett

(74) *Attorney, Agent, or Firm* — Scott T. Griggs; Griggs Bergen LLP

(57) **CLAIM**

The ornamental design for a buoyant pool lounge chair frame, as shown and described.

DESCRIPTION

FIG. 1 depicts a front perspective view of a buoyant pool lounge chair frame according to the teachings presented herein;

FIG. 2 depicts a rear perspective view of the buoyant pool lounge chair frame of FIG. 1;

FIG. 3 depicts a front elevation view of the buoyant pool lounge chair frame of FIG. 1;

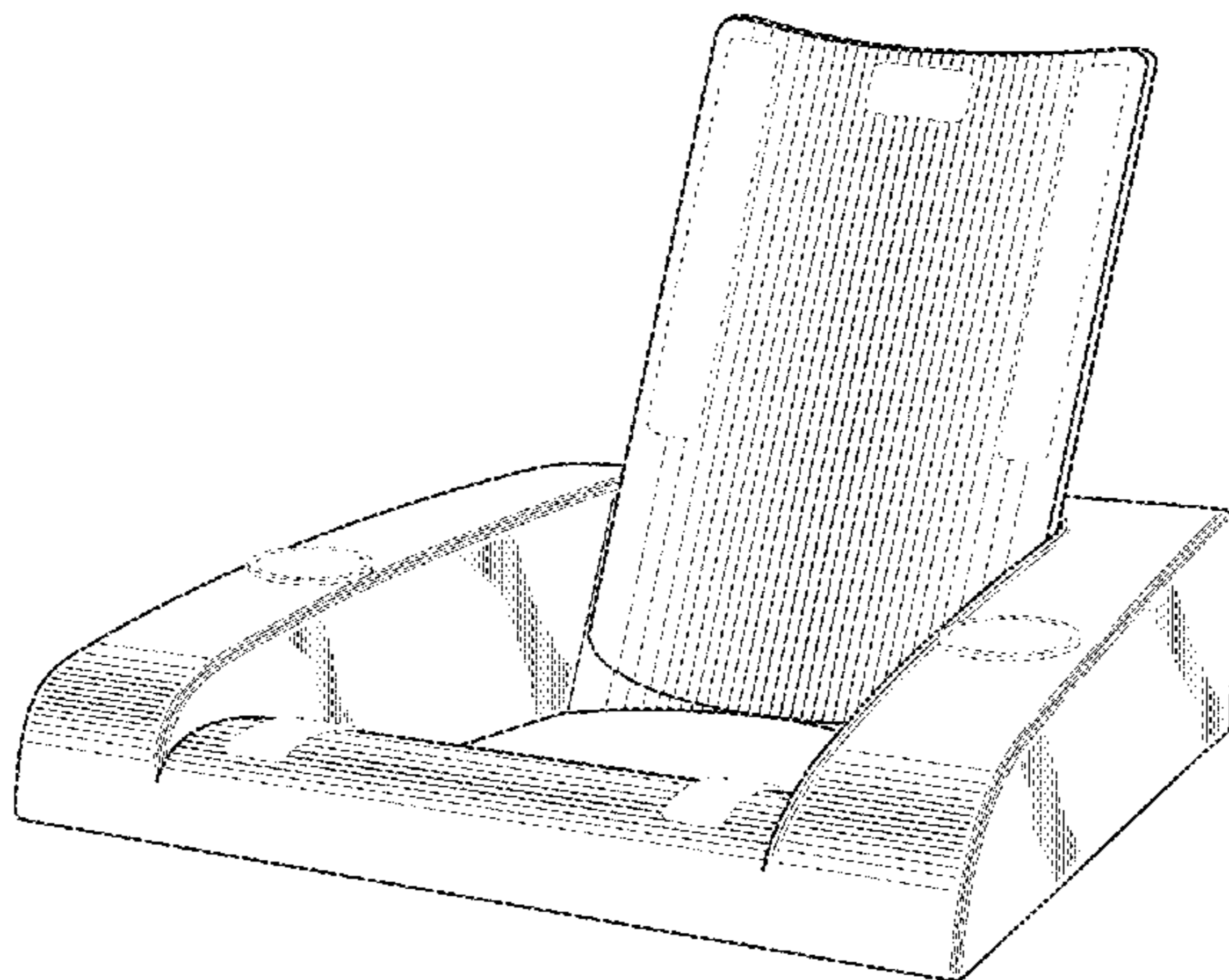
FIG. 4 depicts a rear elevation view of the buoyant pool lounge chair frame of FIG. 1;

FIG. 5 depicts a left side elevation view of the buoyant pool lounge chair frame of FIG. 1;

FIG. 6 depicts a top plan view of the buoyant pool lounge chair frame of FIG. 1; and,

FIG. 7 depicts a bottom plan view of the buoyant pool lounge chair frame of FIG. 1.

1 Claim, 3 Drawing Sheets



(56)

References Cited

U.S. PATENT DOCUMENTS

D554,224 S *	10/2007	Peterson	D21/803	7,727,038 B2 *	6/2010	Le Gette et al.	441/130
7,549,706 B2	6/2009	Scheurer et al.			8,057,369 B1	11/2011	Salach		
7,571,965 B1	8/2009	Perry			8,240,760 B2	8/2012	Scheurer et al.		
					8,366,502 B2 *	2/2013	Lin et al.	441/129

* cited by examiner

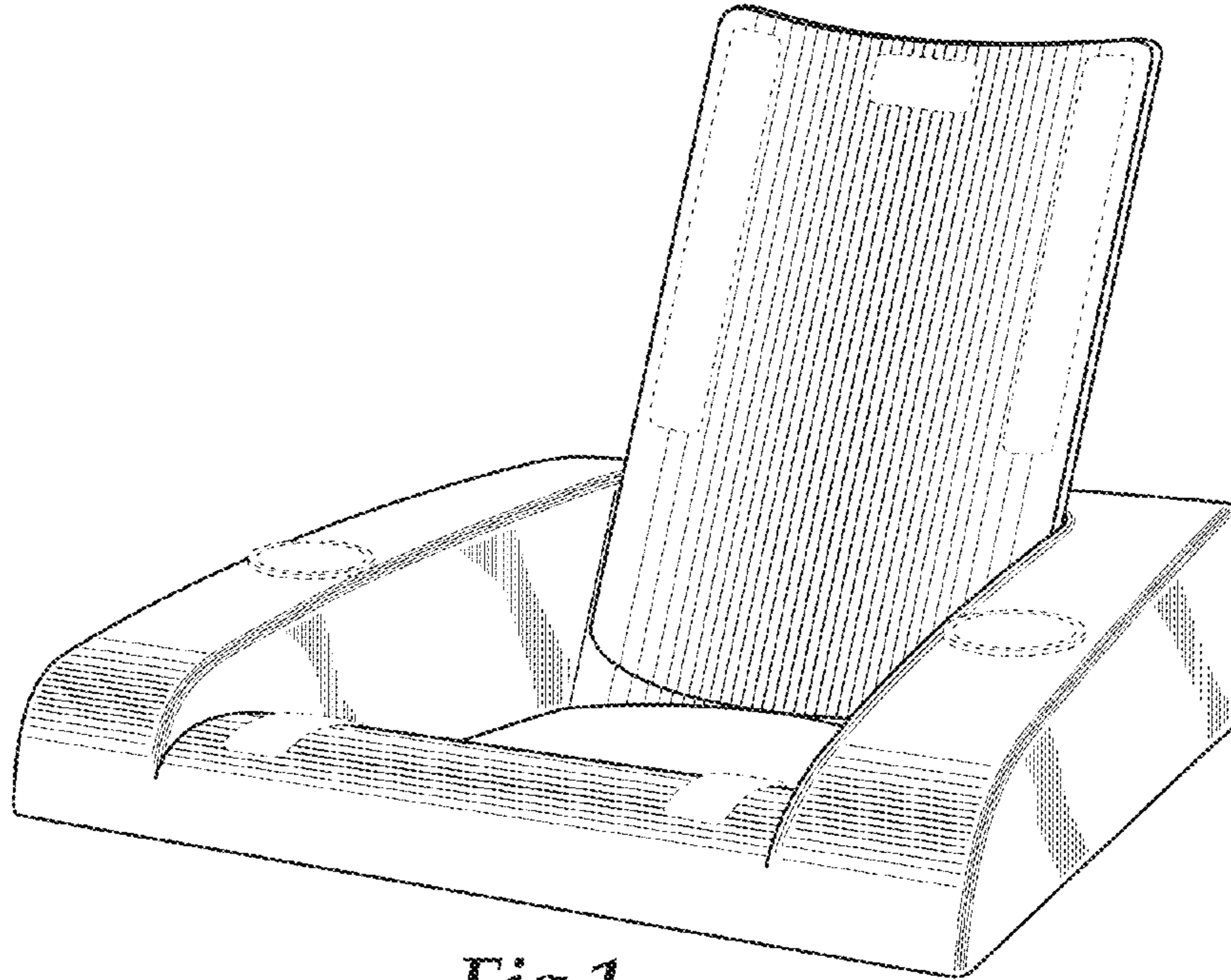


Fig.1

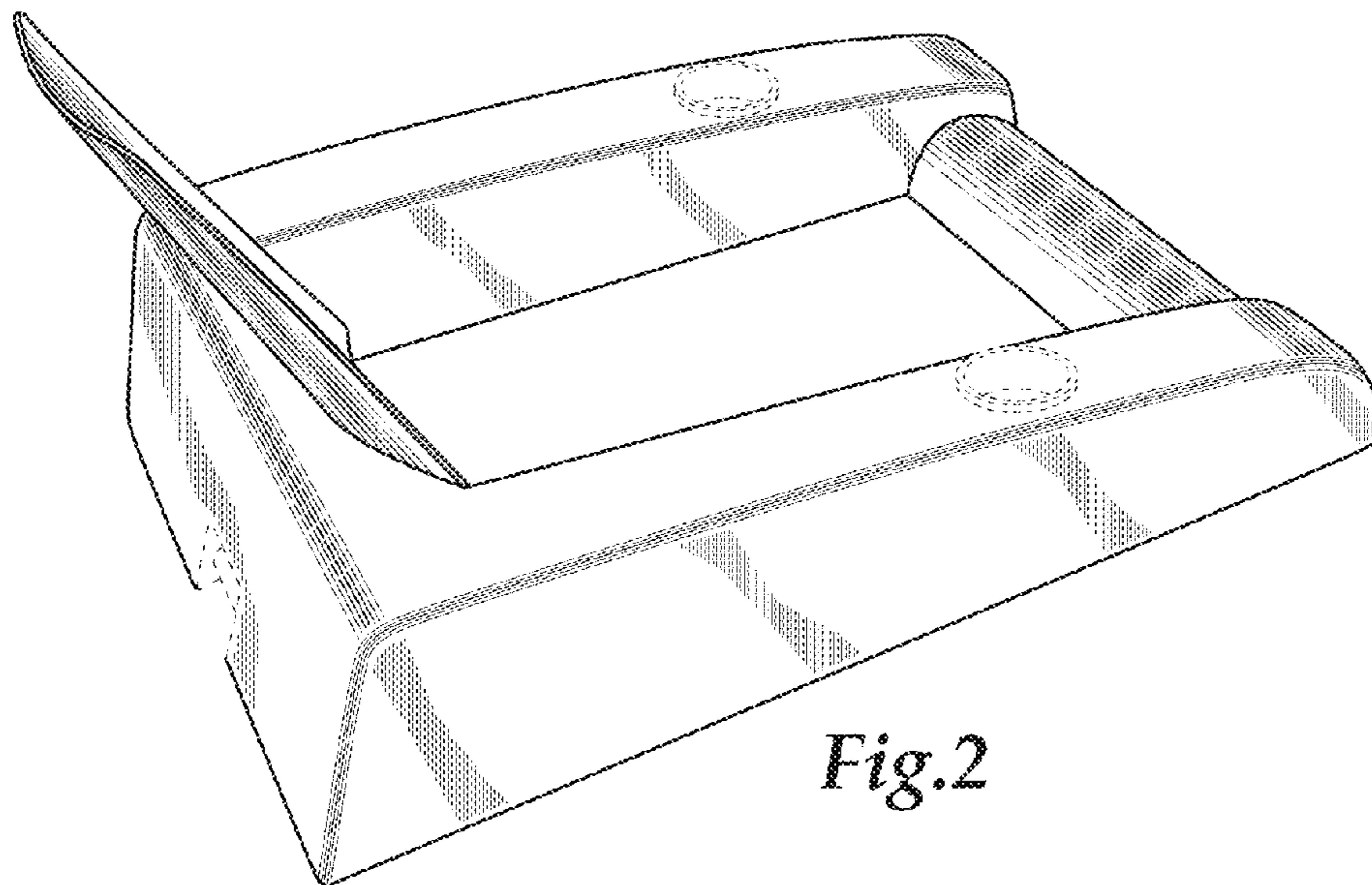


Fig.2

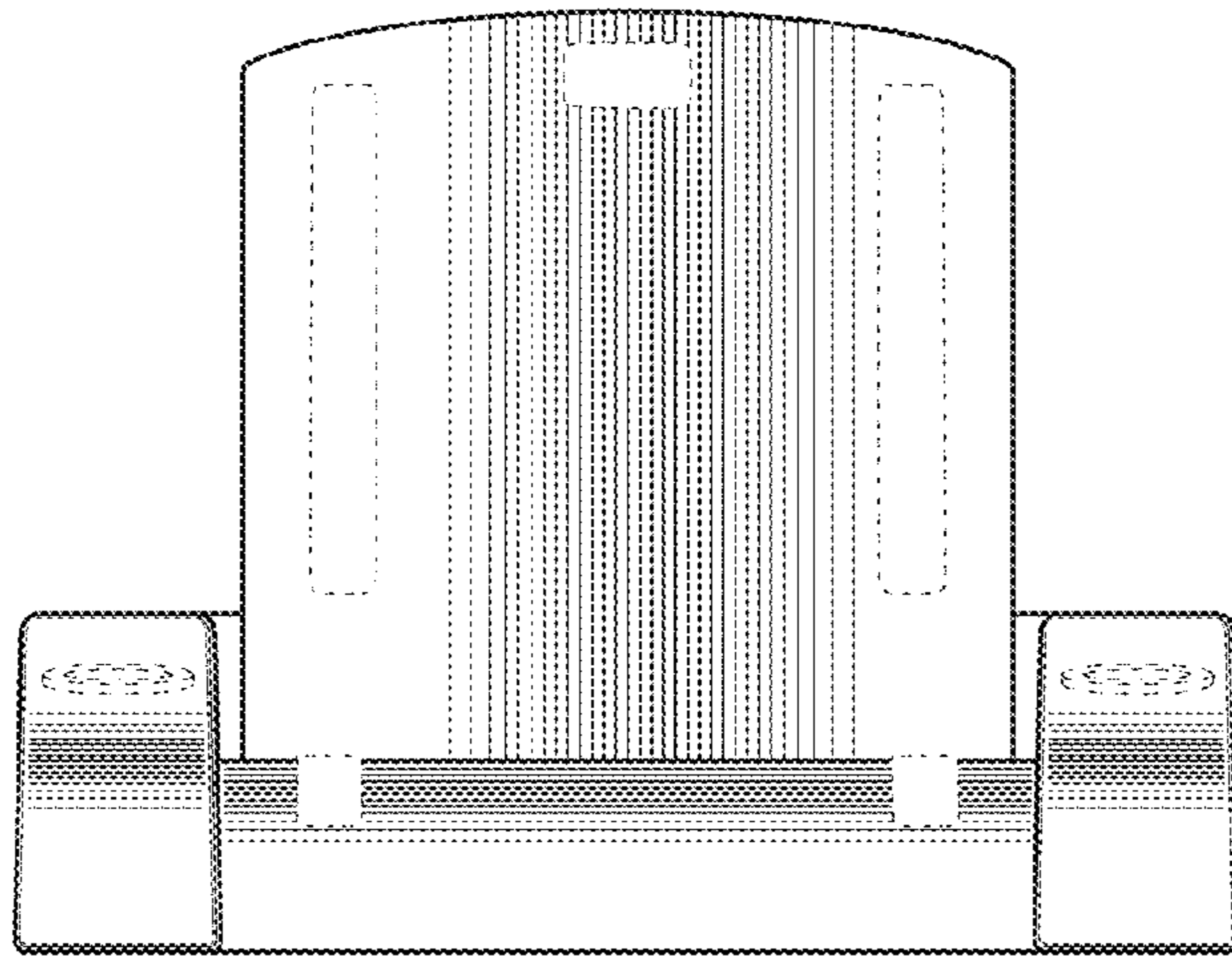


Fig.3

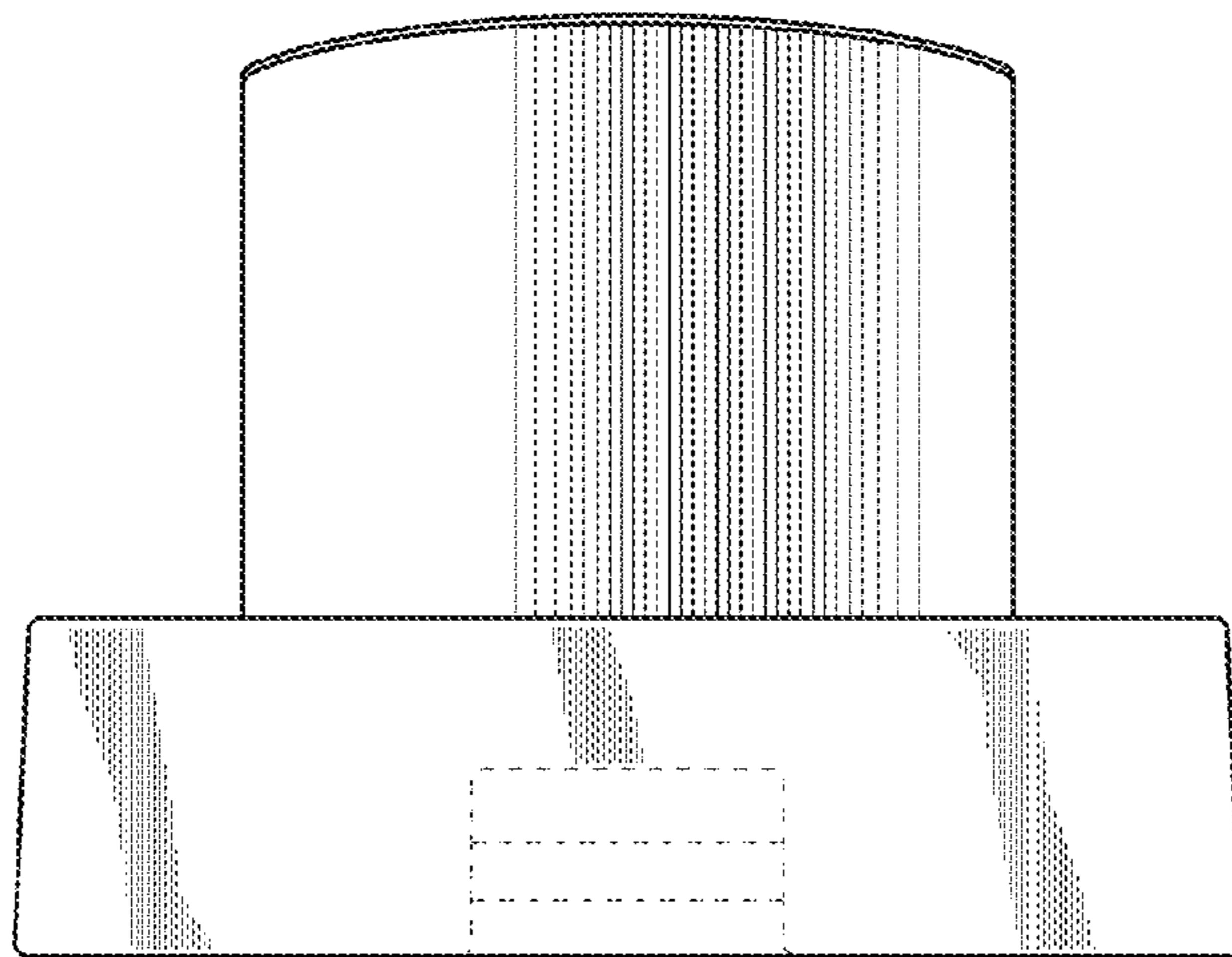


Fig.4

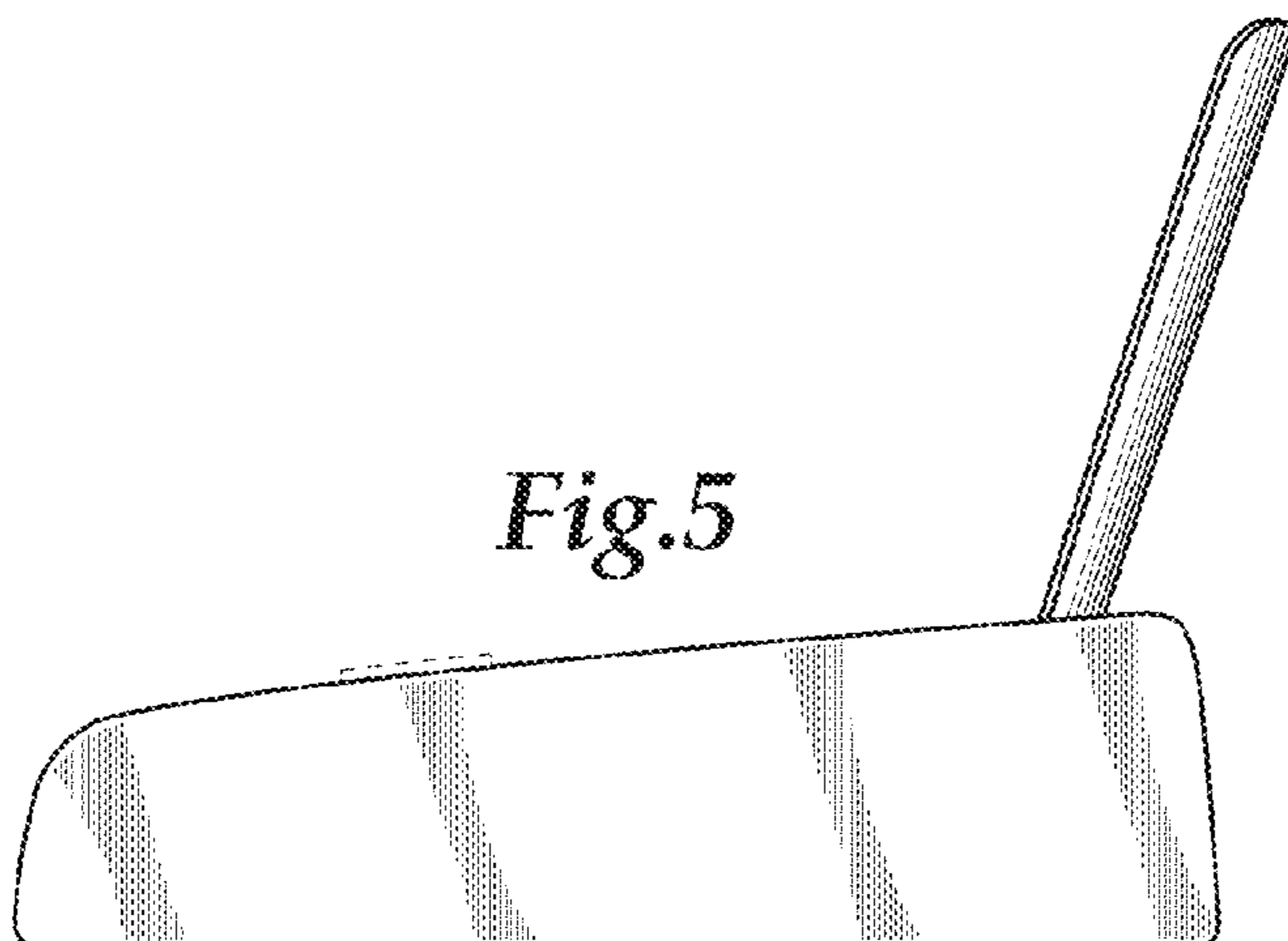


Fig.5

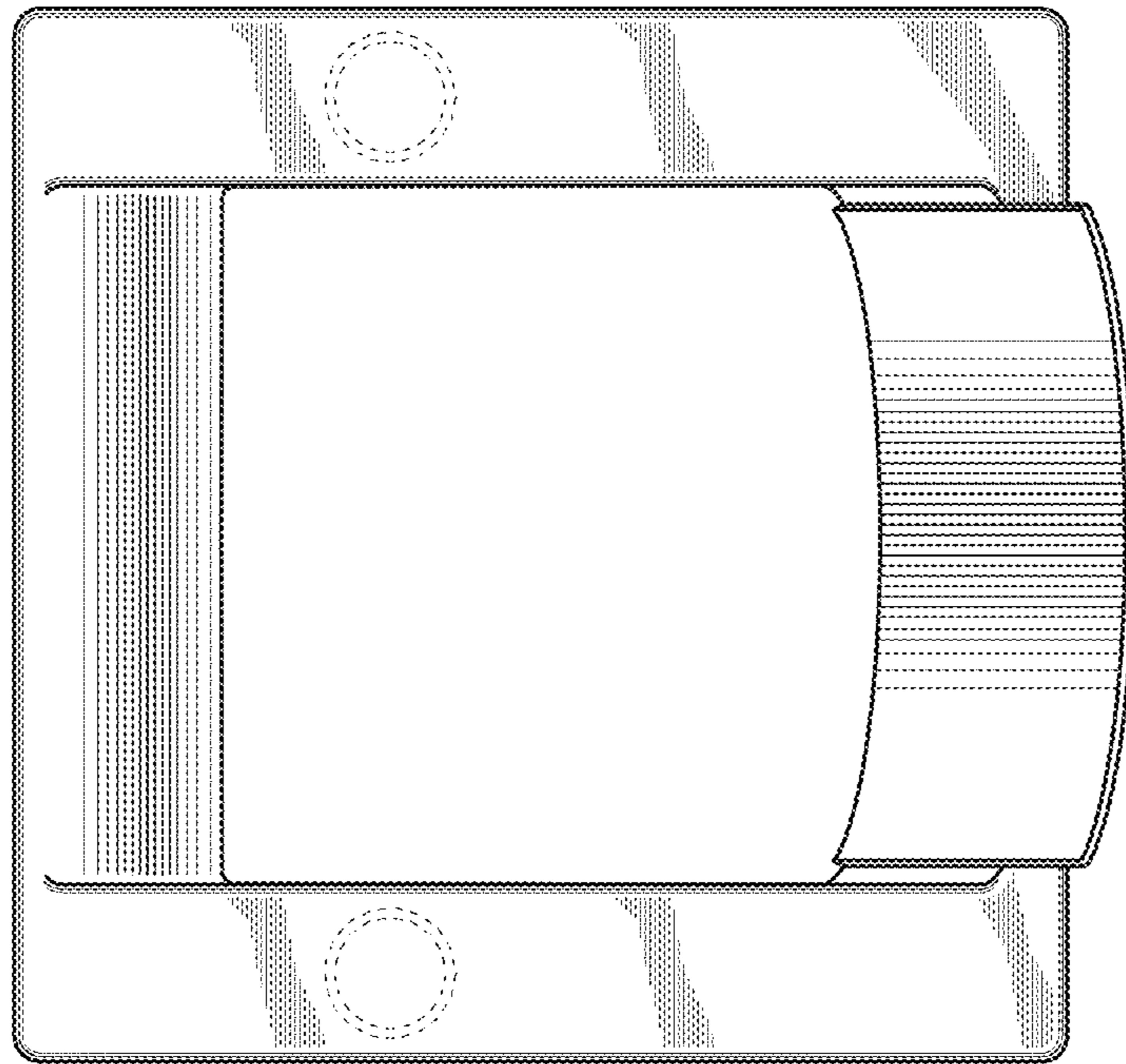


Fig.6

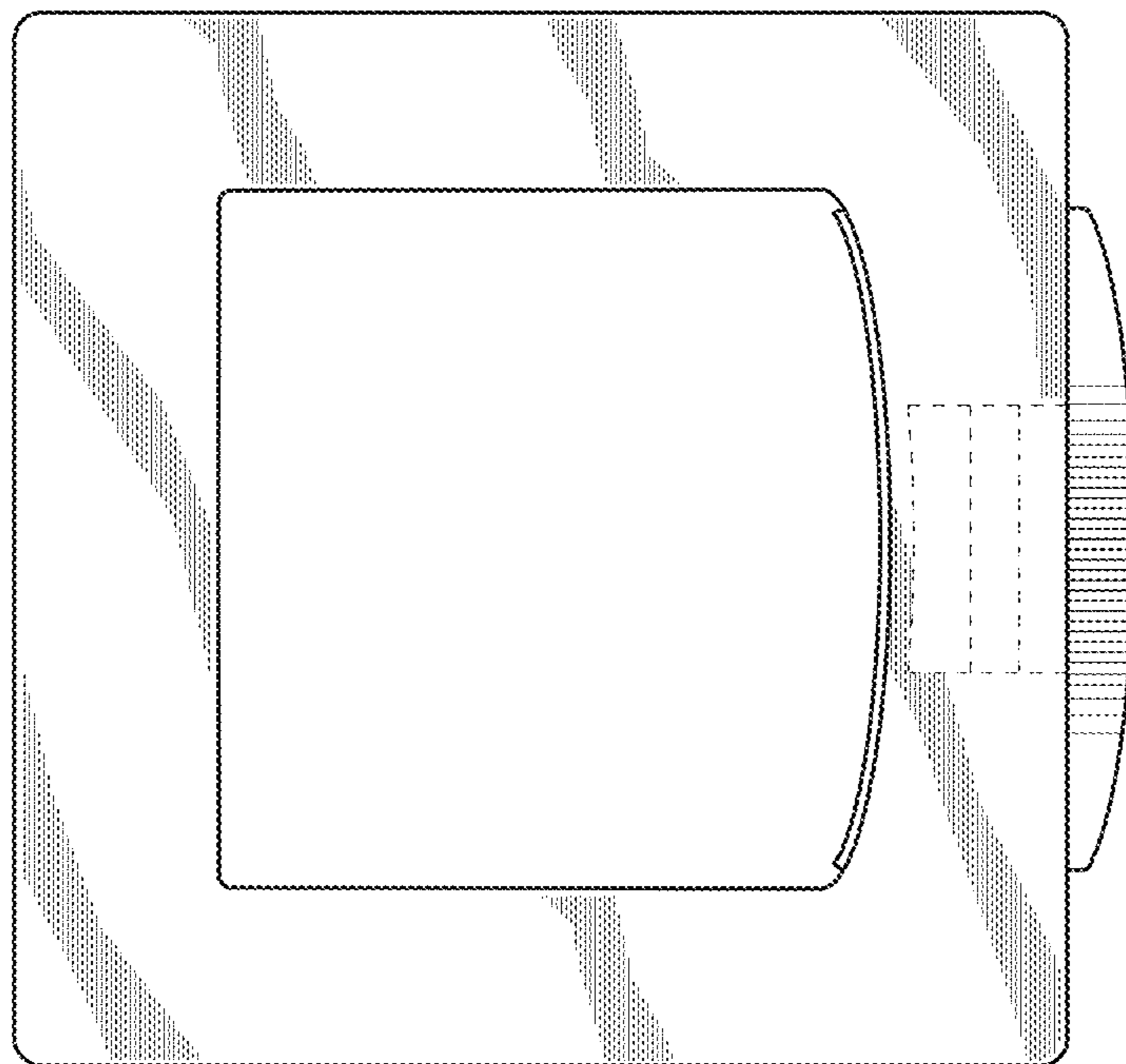


Fig.7