



US00D744050S

(12) **United States Design Patent**
Colburn

(10) **Patent No.:** **US D744,050 S**

(45) **Date of Patent:** **** Nov. 24, 2015**

- (54) **DESK EXERCISE CYCLE**
- (71) Applicant: **3D Innovations, LLC**, Greeley, CO
(US)
- (72) Inventor: **Kevin Lawrence Colburn**, Greeley, CO
(US)
- (73) Assignee: **3D Innovations, LLC**, Greeley, CO
(US)
- (**) Term: **14 Years**
- (21) Appl. No.: **29/525,719**
- (22) Filed: **May 1, 2015**

- D372,283 S * 7/1996 Chen D21/663
- D373,395 S * 9/1996 Chen D21/663
- 5,599,260 A 2/1997 Rovinsky et al.
- D393,890 S * 4/1998 Biliouris D21/663
- 5,762,584 A 6/1998 Daniels
- 5,807,212 A 9/1998 Nelson
- 5,855,538 A 1/1999 Argabright

(Continued)

FOREIGN PATENT DOCUMENTS

- TW 498768 8/2002
- TW M342183 10/2008
- TW M359342 6/2009

OTHER PUBLICATIONS

Design U.S. Appl. No. 29/475,143, filed Nov. 29, 2013.

(Continued)

Related U.S. Application Data

- (63) Continuation of application No. 29/475,143, filed on Nov. 29, 2013, now Pat. No. Des. 728,707.
- (51) **LOC (10) Cl.** **21-02**
- (52) **U.S. Cl.**
USPC **D21/663**
- (58) **Field of Classification Search**
USPC D21/663, 667, 666, 697, 694, 665, 668,
D21/664; 482/61, 57, 58, 127, 133, 51, 9,
482/60, 904, 8, 1, 900, 63, 908; 188/24.11;
74/502.4, 502.6, 551.1, 551.8;
248/444.1, 205.1; D8/303; D12/178,
D12/411
CPC .. A63B 22/0605; A63B 69/16; A63B 21/225;
Y10T 74/2078; Y10T 74/20822
See application file for complete search history.

Primary Examiner — Robert M Spear

Assistant Examiner — Ryan Harvey

(74) *Attorney, Agent, or Firm* — Craig R. Miles; CR Miles P.C.

(57) **CLAIM**

I claim the ornamental design for a desk exercise cycle, as shown and described.

DESCRIPTION

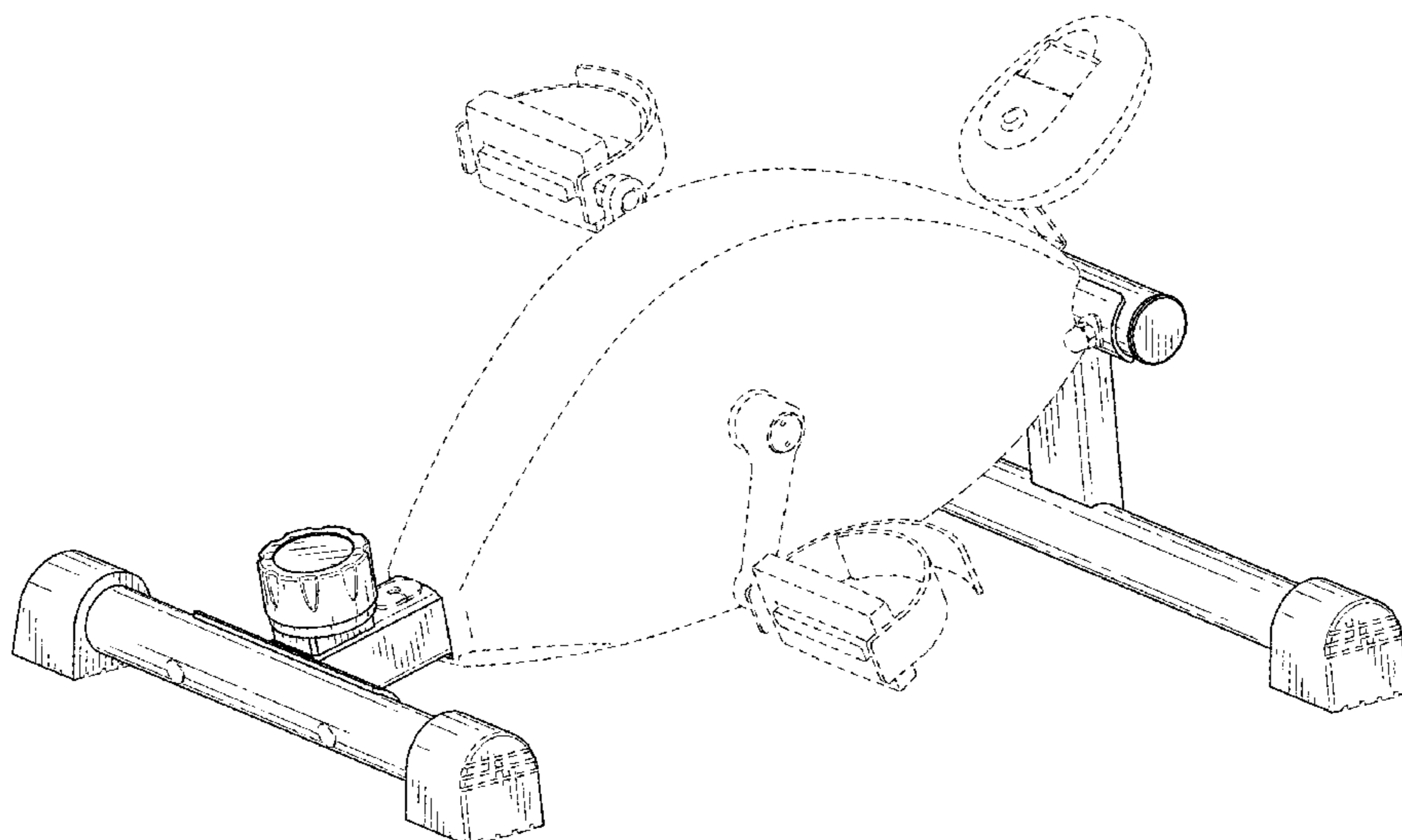
FIG. 1 is a top and right side perspective of a desk exercise cycle, embodying our new design;
 FIG. 2 is a front elevation view thereof;
 FIG. 3 is a rear elevation view thereof;
 FIG. 4 is a left side elevation view thereof;
 FIG. 5 is a right side elevation view thereof;
 FIG. 6 is a top plan view thereof; and,
 FIG. 7 is a bottom plan view thereof.
 The broken lines shown are included for the purpose of illustrating the unclaimed portions of the article and form no part of the claim.

(56) **References Cited**

U.S. PATENT DOCUMENTS

- 4,632,386 A 12/1986 Beech
- 5,257,701 A 11/1993 Edelson
- 5,314,392 A 5/1994 Hawkins et al.
- D372,061 S * 7/1996 Chen D21/697

1 Claim, 6 Drawing Sheets



(56)

References Cited

U.S. PATENT DOCUMENTS

D408,460 S * 4/1999 Garcia et al. D21/671
 6,027,429 A 2/2000 Daniels
 D438,580 S * 3/2001 Shaw D21/697
 D438,581 S * 3/2001 Shaw D21/697
 D438,919 S * 3/2001 Shaw D21/697
 D446,266 S * 8/2001 Lin D21/697
 D450,100 S * 11/2001 Hsu D21/697
 D462,099 S * 8/2002 Chen D21/663
 D480,119 S * 9/2003 Chen D21/663
 D482,084 S * 11/2003 Yang D21/663
 D482,416 S * 11/2003 Yang D21/663
 D484,931 S * 1/2004 Tsai D21/697
 7,115,072 B1 10/2006 Stoll

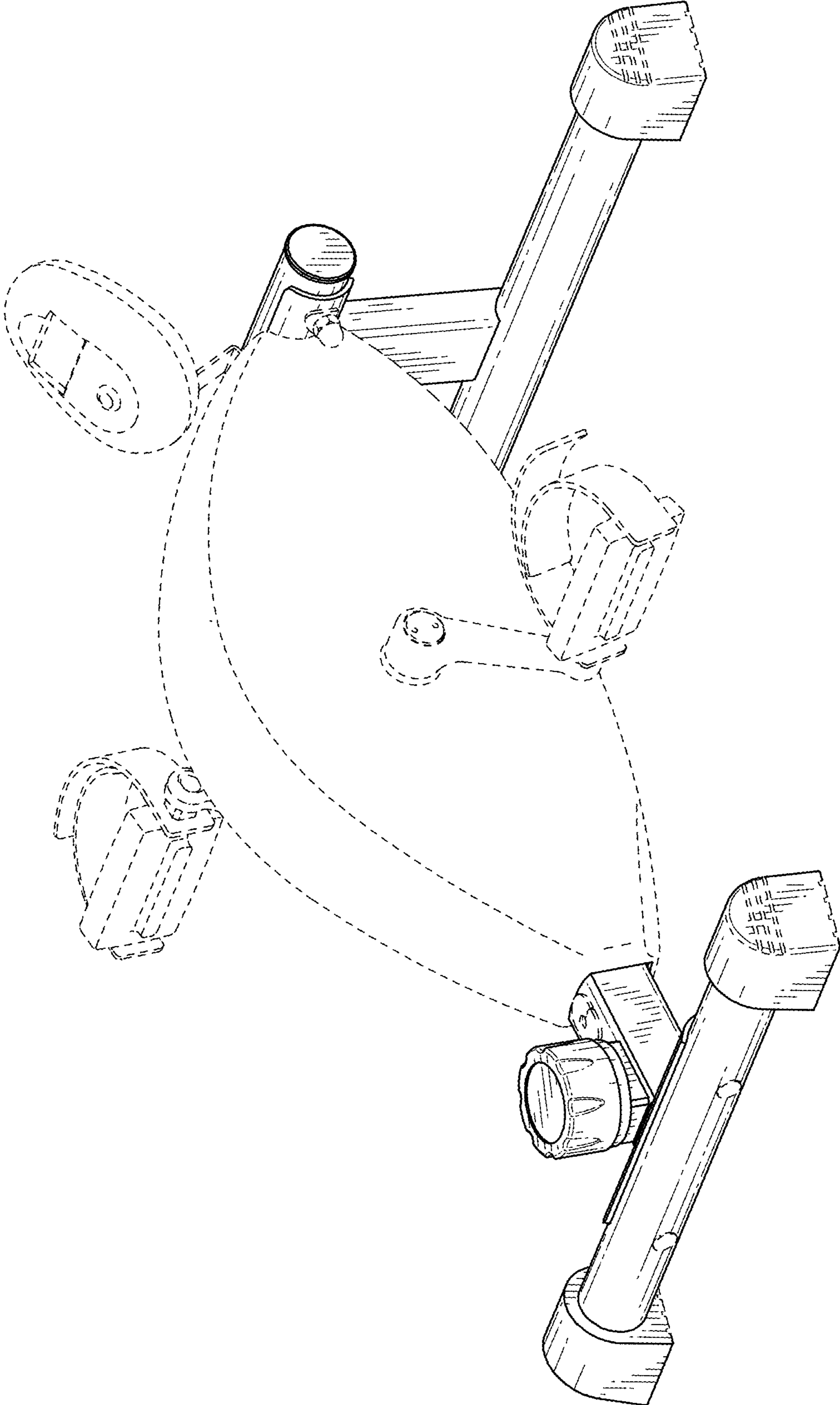
7,533,894 B2 5/2009 Ehler
 7,621,852 B2 11/2009 Bowser
 7,686,742 B2 3/2010 Tischler et al.
 7,938,761 B2 5/2011 Simonson et al.
 8,585,561 B2 11/2013 Watt et al.
 8,920,292 B1 * 12/2014 Myers et al. 482/57
 D728,707 S * 5/2015 Colburn D21/663
 2014/0287883 A1 * 9/2014 Decca 482/57

OTHER PUBLICATIONS

Isokinetics, Inc. Deluxe Pedal Exerciser. On-line catalog, <http://www.isokineticsinc.com>, originally downloaded Jan. 13, 2014, 1 page.

* cited by examiner

FIG. 1



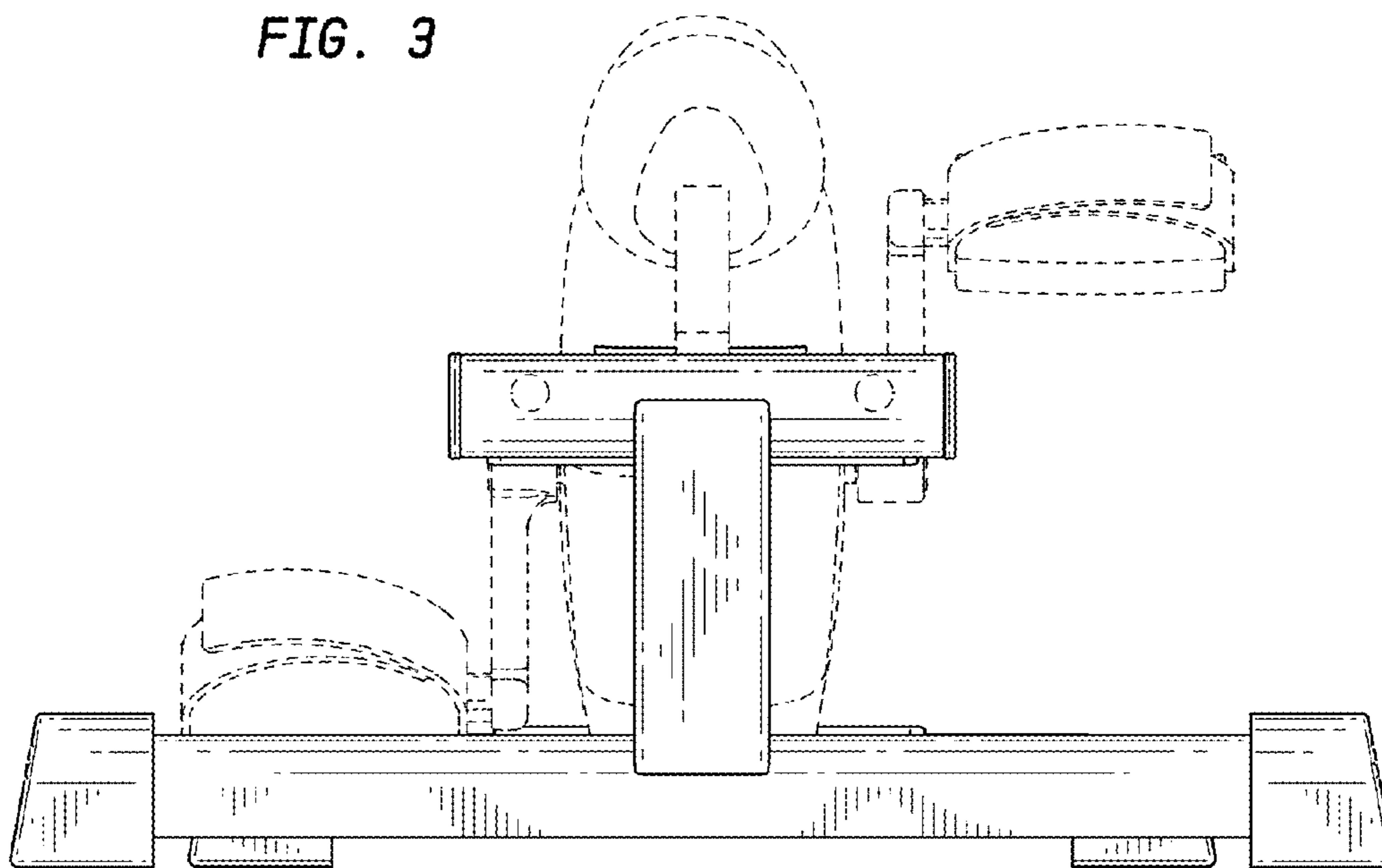
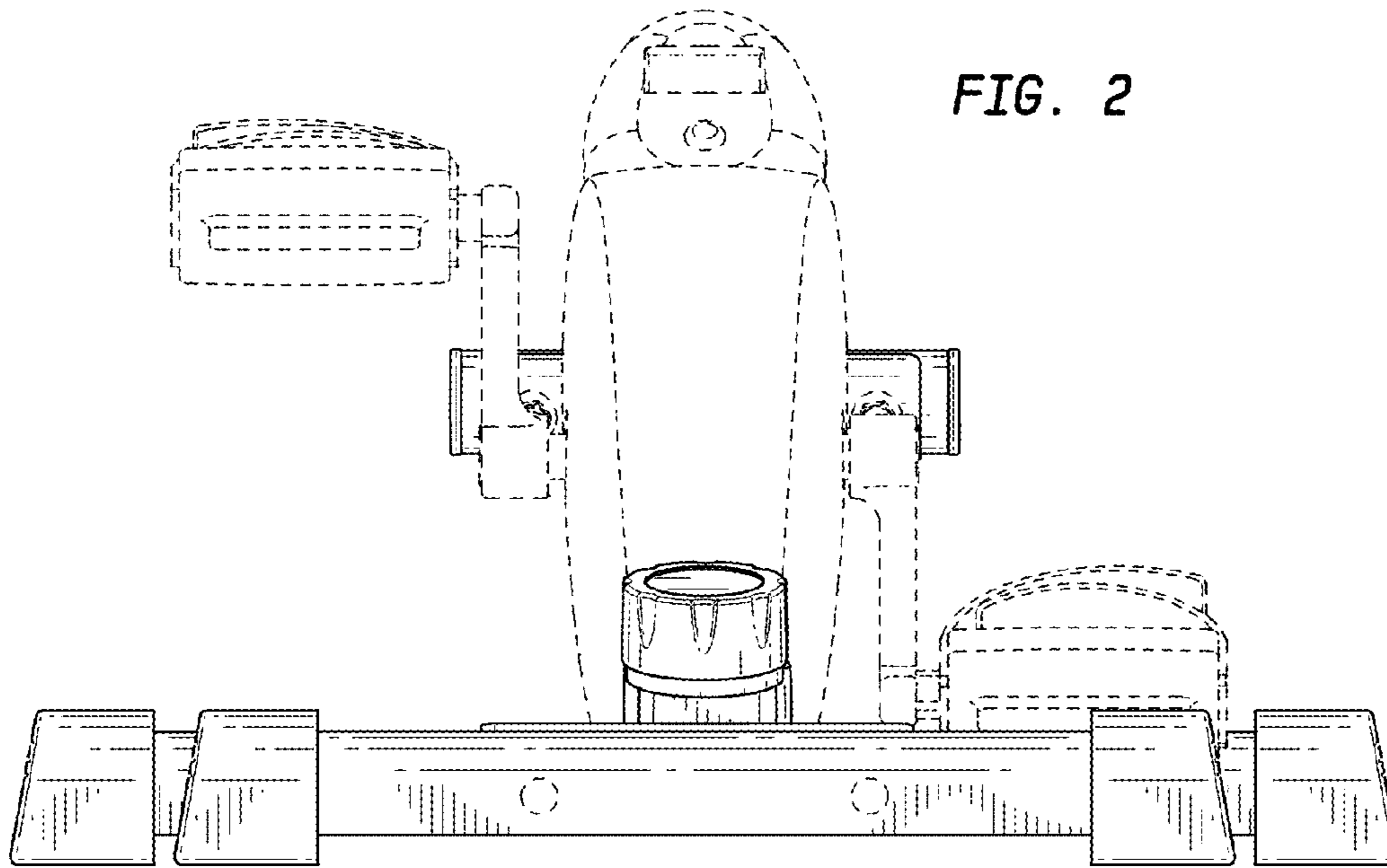


FIG. 4

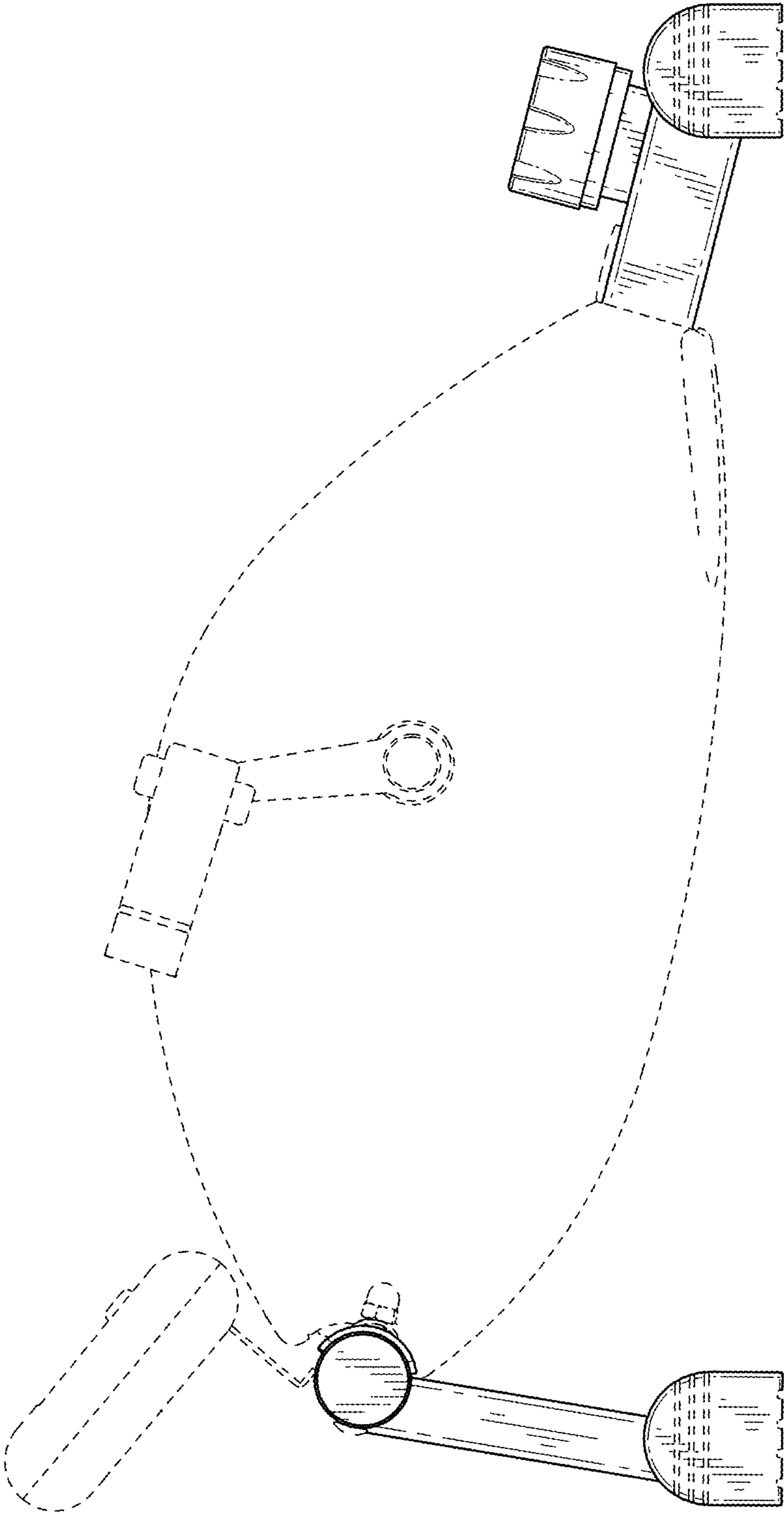


FIG. 5

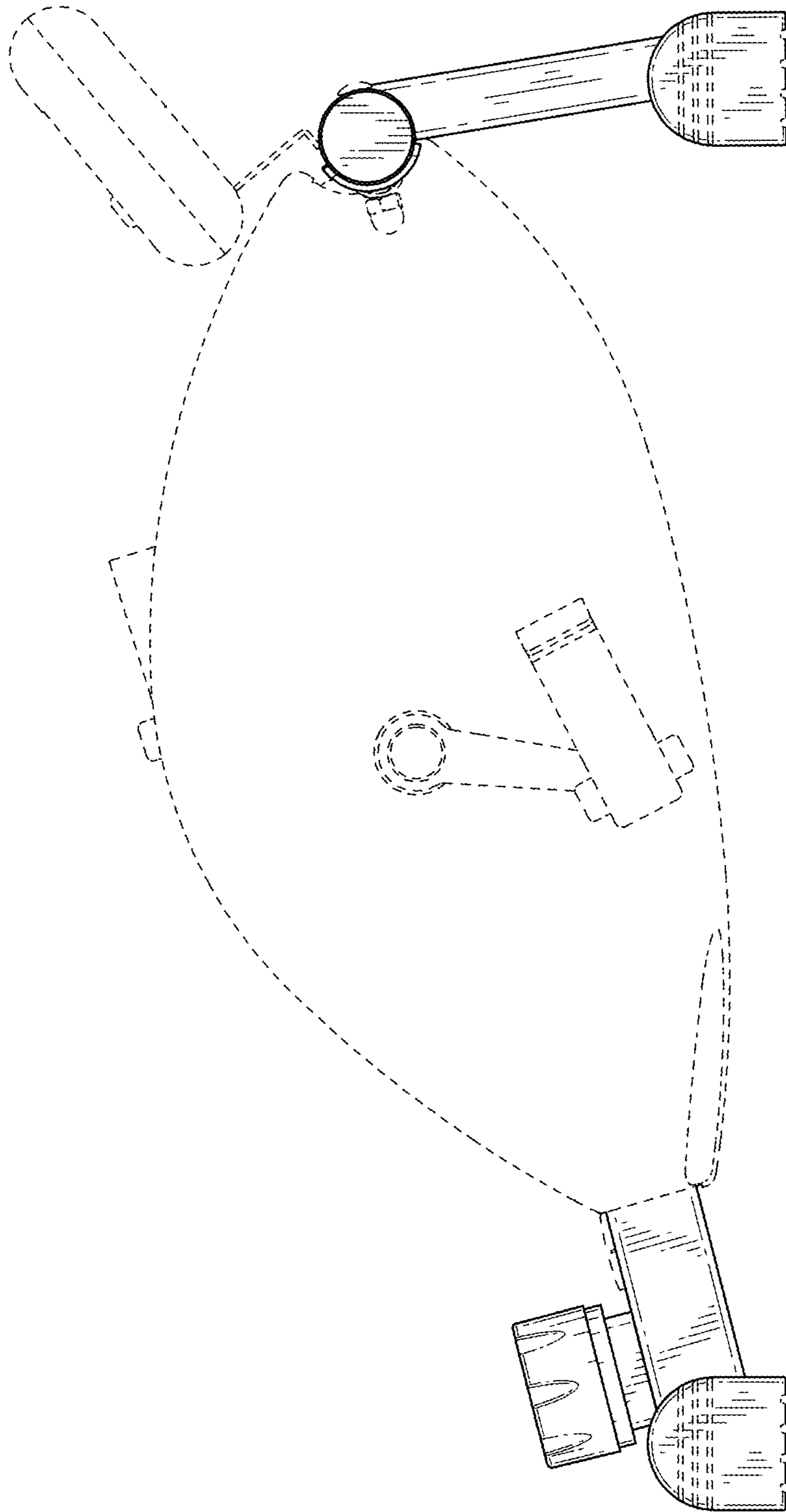


FIG. 6

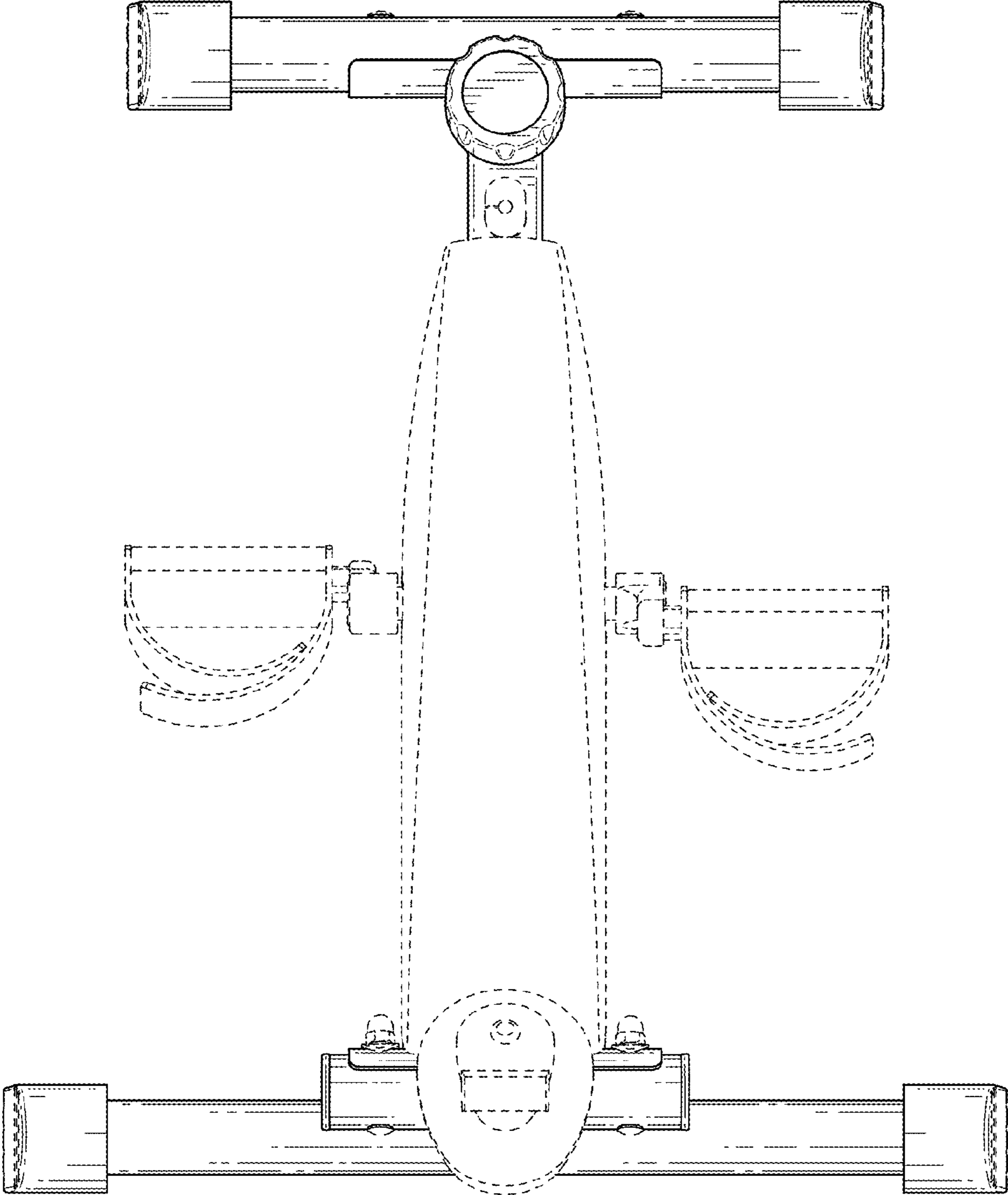


FIG. 7

