



US00D744049S

(12) **United States Design Patent**  
**Chu**

(10) **Patent No.:** **US D744,049 S**

(45) **Date of Patent:** **\*\* Nov. 24, 2015**

(54) **TOY GUN**

(56) **References Cited**

(71) Applicant: **I Chih Shivan Enterprise Co., Ltd.**,  
Taichung (TW)

(72) Inventor: **Chen Tang Chu**, Taichung (TW)

(73) Assignee: **I Chih Shivan Enterprise Co., Ltd.**,  
Taichung (TW)

(\*\*) Term: **14 Years**

(21) Appl. No.: **29/500,741**

(22) Filed: **Aug. 27, 2014**

(51) **LOC (10) Cl.** ..... **21-01**

(52) **U.S. Cl.**  
USPC ..... **D21/574; D22/104**

(58) **Field of Classification Search**  
USPC ..... D21/567, 570-575; D22/100, 101, 103,  
D22/104, 108, 109; 124/41.1, 45, 49, 50,  
124/51.1, 55, 56, 69, 70-79, 80, 82; 42/54;  
446/401, 405, 406  
CPC ..... F41C 3/00; F41C 3/005; F41C 3/02;  
F41C 3/04; F41C 3/06; F41C 3/14; F41C  
3/16; F41C 9/02; F41C 9/04; F41C 9/06;  
F41C 9/08

See application file for complete search history.

U.S. PATENT DOCUMENTS

D359,098 S *	6/1995	Stevens	.....	D22/104
D376,831 S *	12/1996	Resuggan	.....	D22/104
D516,661 S *	3/2006	McGarry	.....	D22/104
D516,662 S *	3/2006	McGarry	.....	D22/104
D570,925 S *	6/2008	Wu	.....	D21/574
D583,896 S *	12/2008	McGarry	.....	D22/104
D584,374 S *	1/2009	McGarry	.....	D22/104
D593,622 S *	6/2009	Halmone	.....	D21/574
D593,623 S *	6/2009	Halmone	.....	D21/574
D598,065 S *	8/2009	Vukovic et al.	.....	D22/104
D676,094 S *	2/2013	Hu	.....	D22/108
D681,131 S *	4/2013	Su	.....	D21/574
D690,374 S *	9/2013	Lee	.....	D21/574

\* cited by examiner

*Primary Examiner* — Cynthia M Chin

(74) *Attorney, Agent, or Firm* — Leong C. Lei

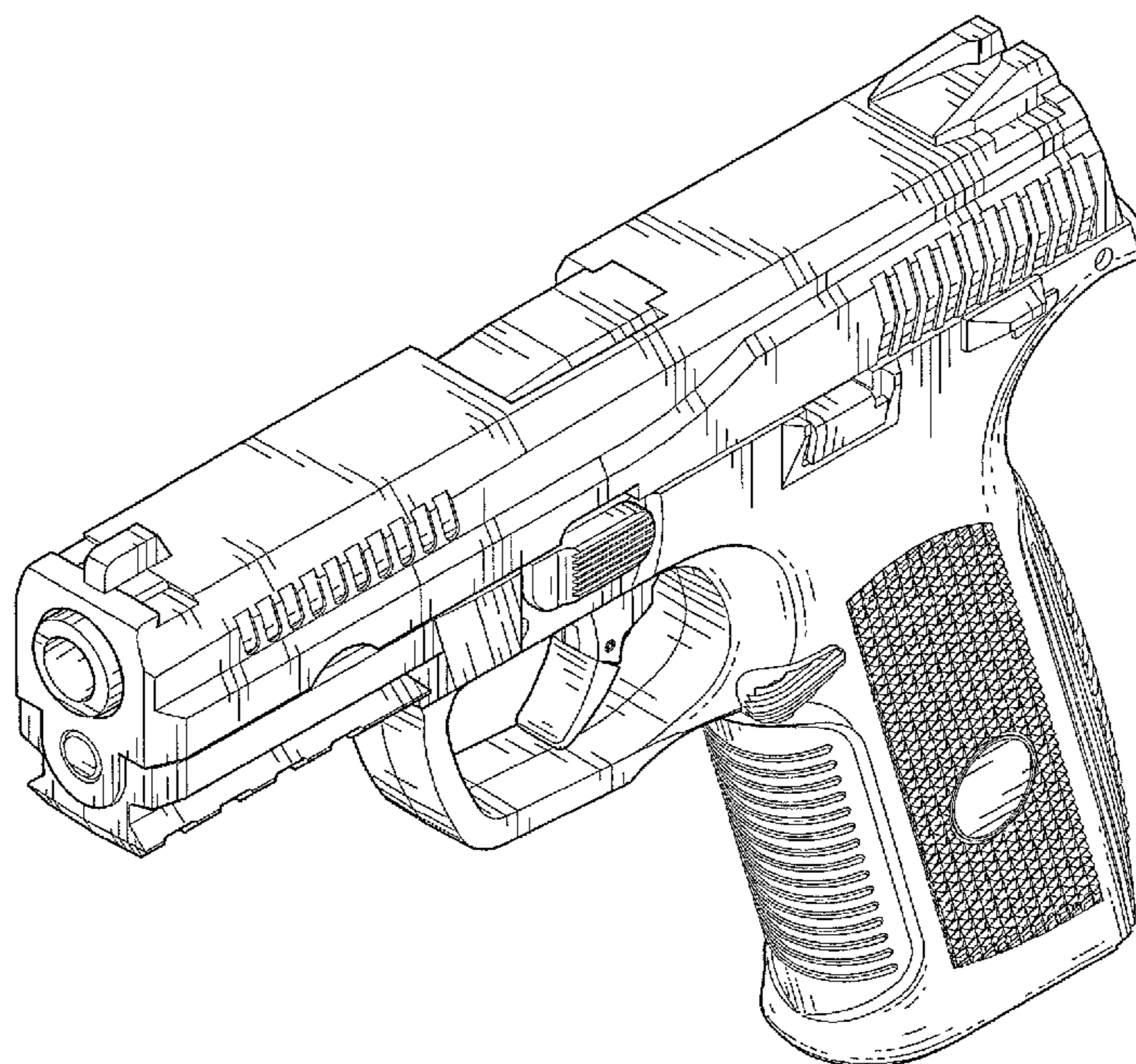
(57) **CLAIM**

The ornamental design for a toy gun, as shown and described.

**DESCRIPTION**

FIG. 1 is a front perspective view of a toy gun showing my new design;  
FIG. 2 is a rear perspective view thereof;  
FIG. 3 is a bottom perspective view thereof;  
FIG. 4 is a front elevational view thereof;  
FIG. 5 is a rear elevational view thereof;  
FIG. 6 is a left elevational view thereof;  
FIG. 7 is a right elevational view thereof;  
FIG. 8 is a top plan view thereof; and,  
FIG. 9 is a bottom plan view thereof.

**1 Claim, 7 Drawing Sheets**



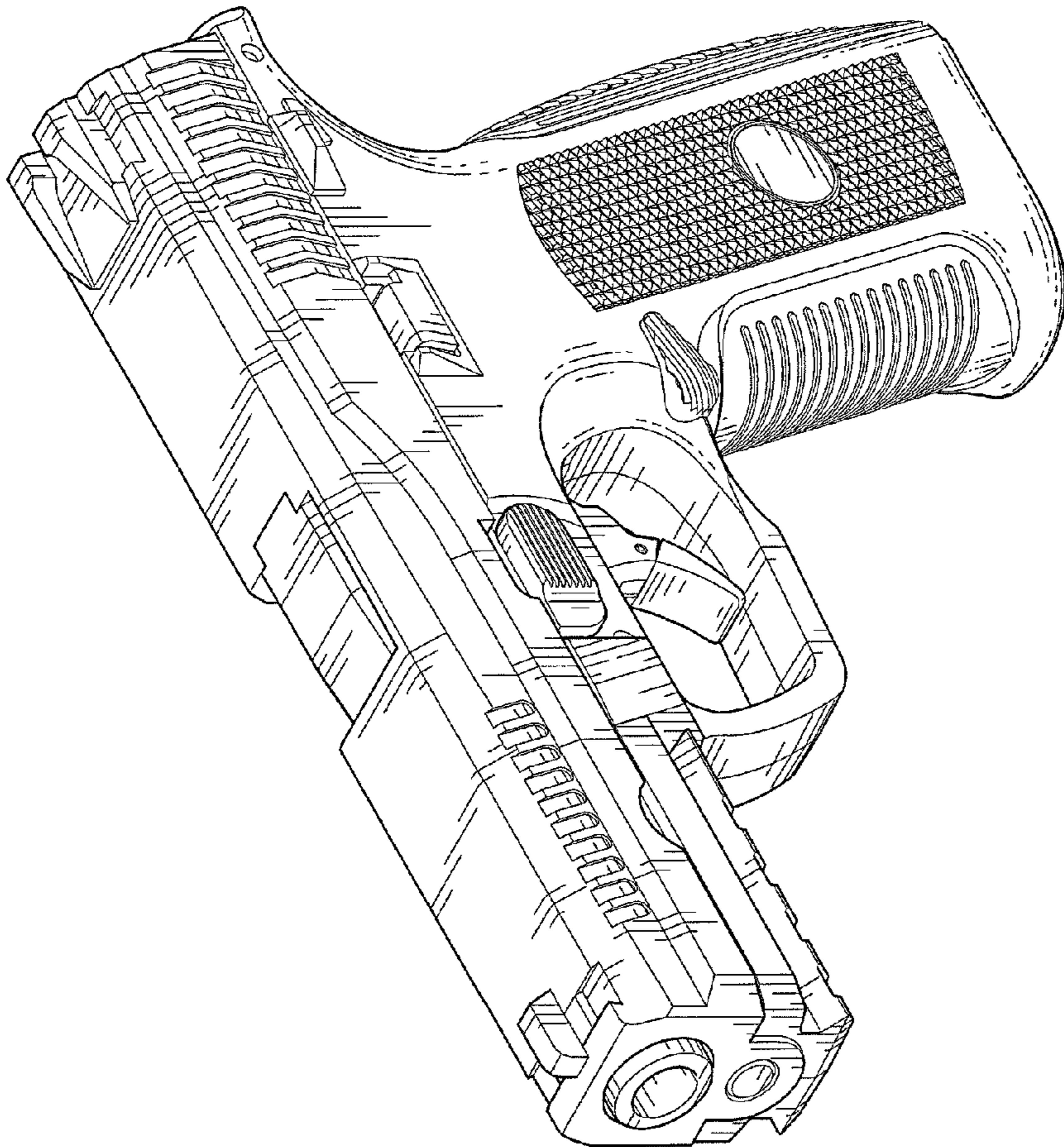


FIG.1



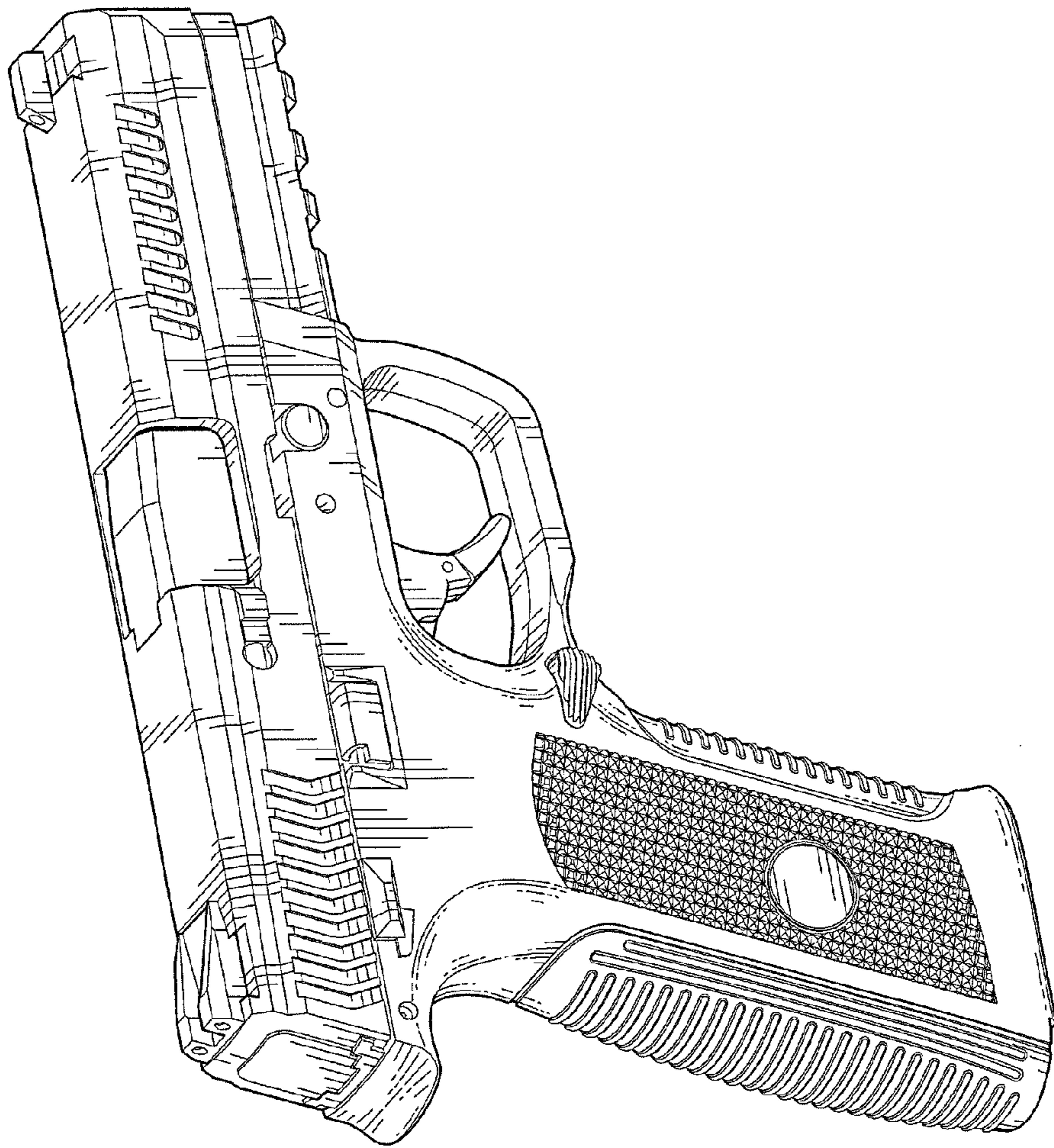


FIG.2

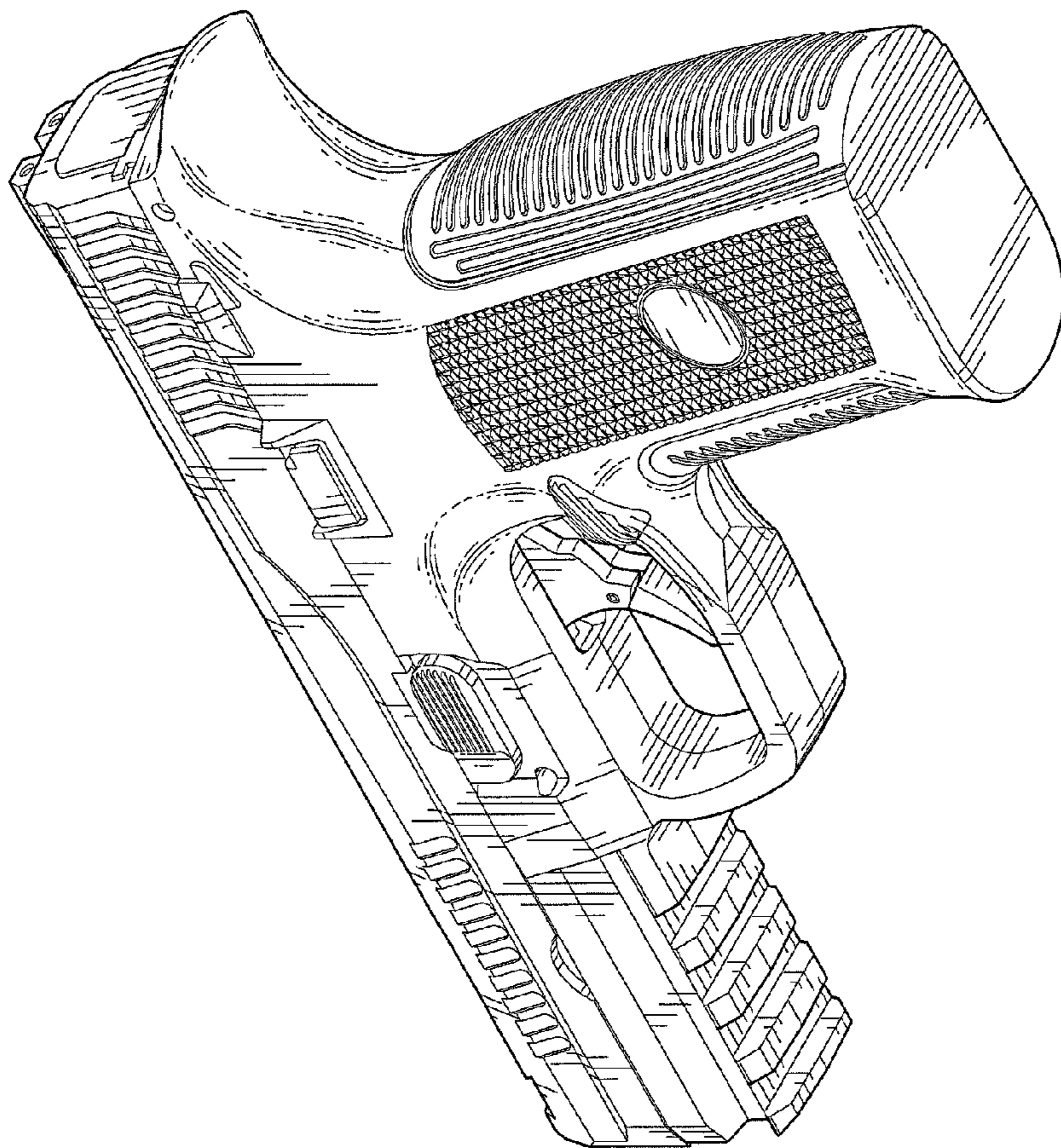


FIG.3

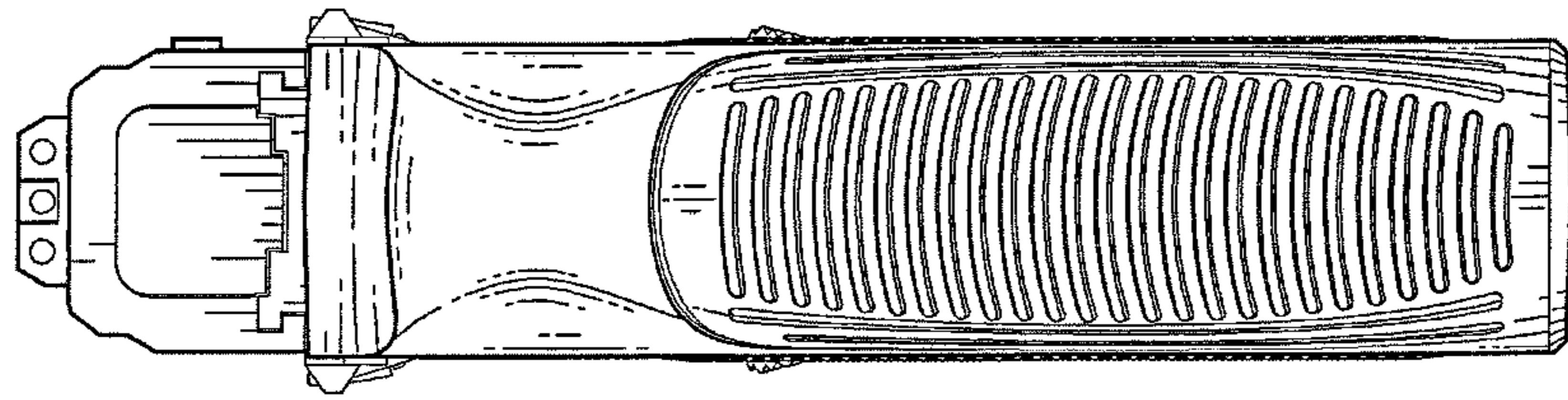


FIG.5

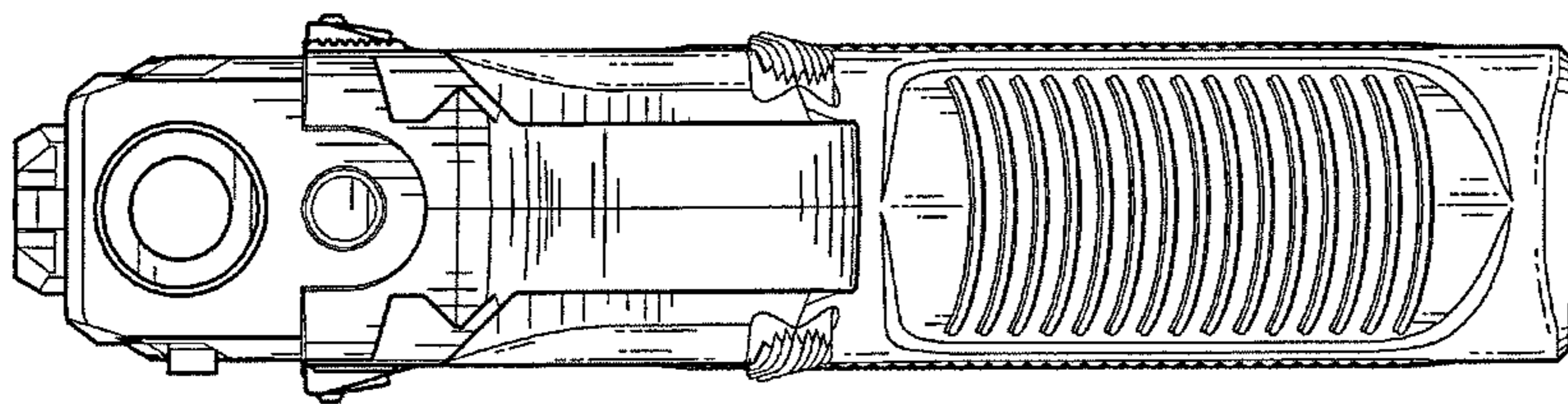


FIG.4



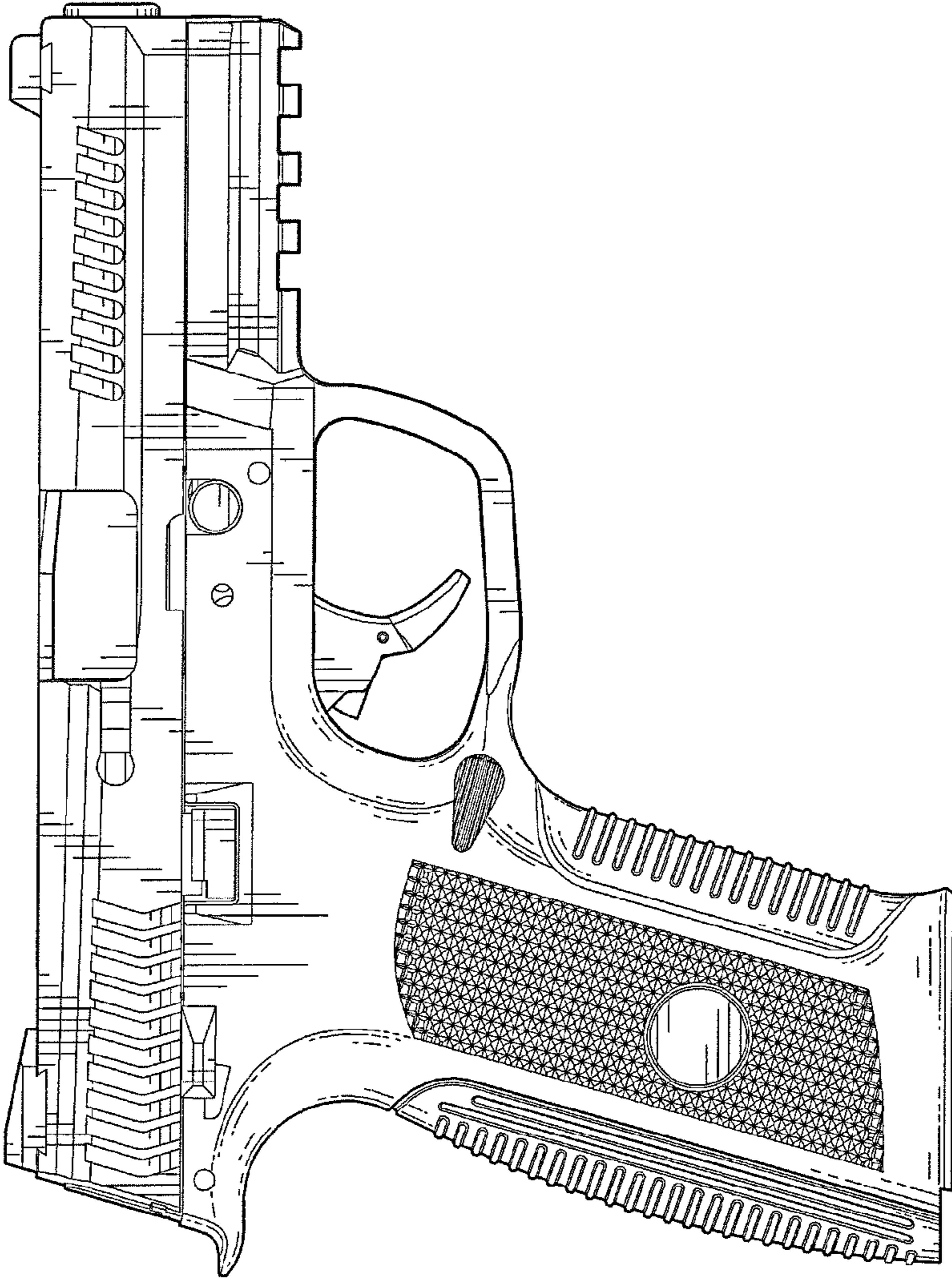


FIG.6

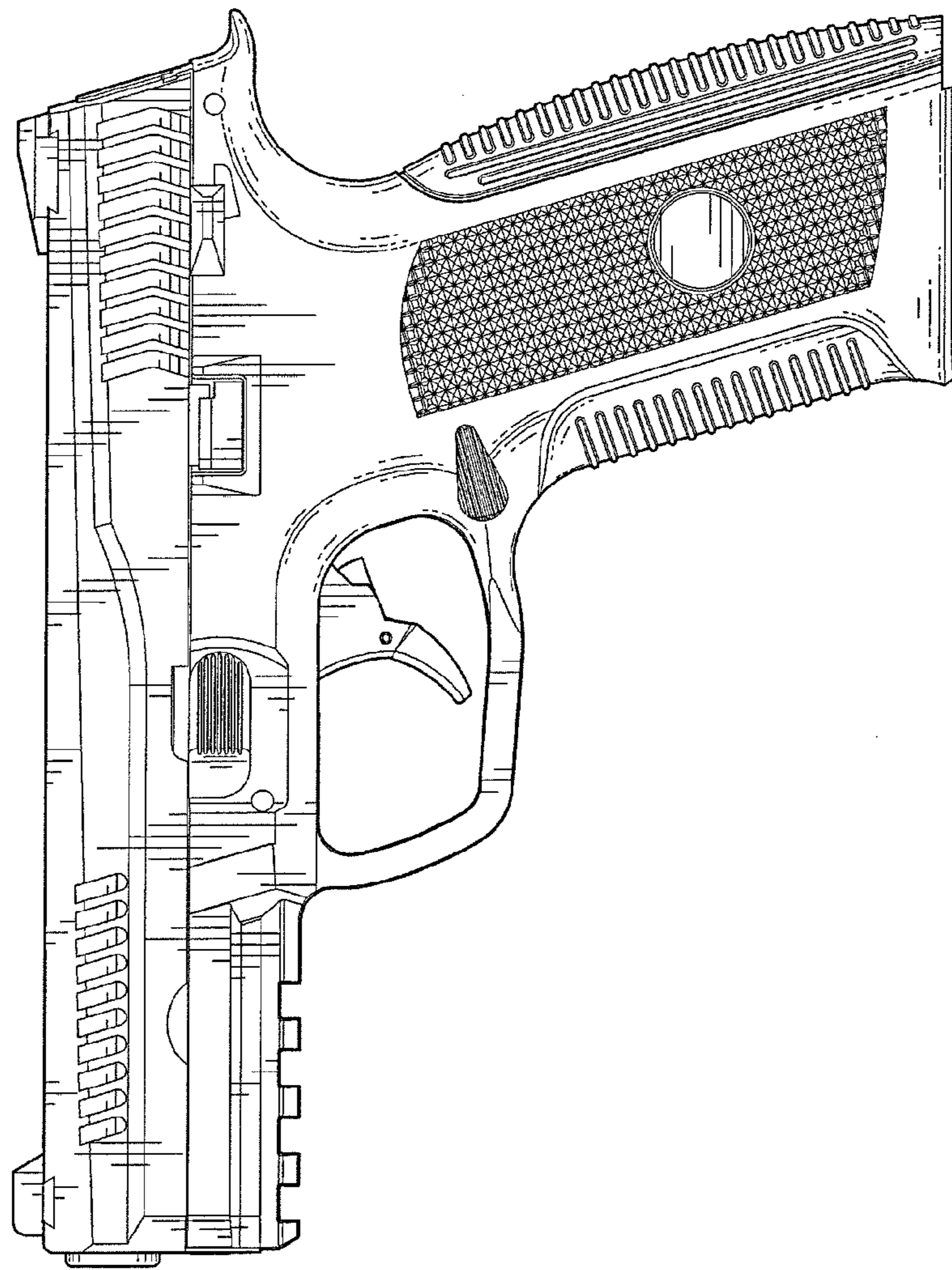


FIG. 7

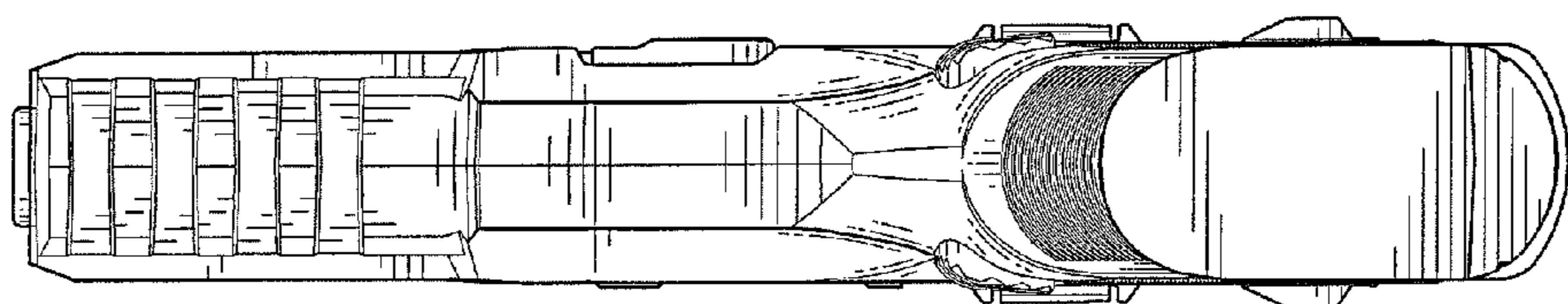


FIG. 9

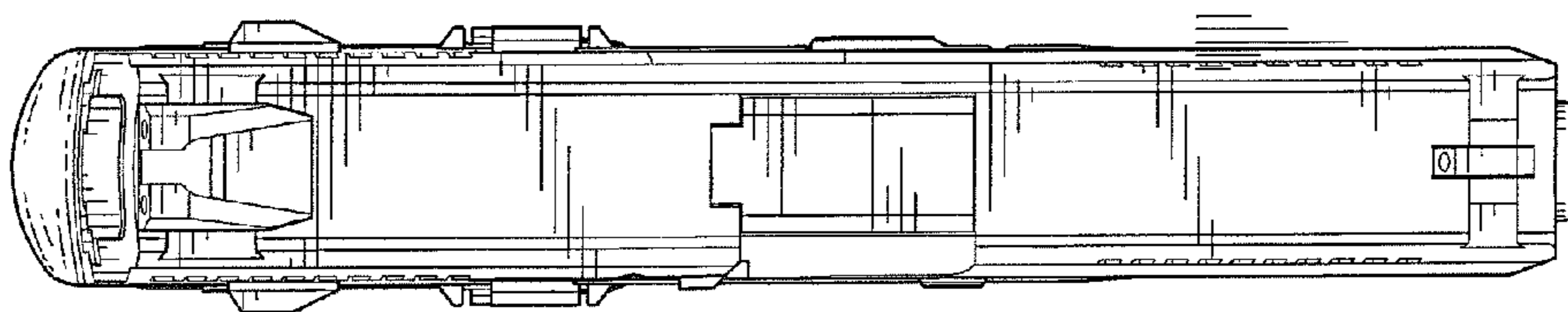


FIG. 8