



US00D744048S

(12) **United States Design Patent**  
**Chu**

(10) **Patent No.:** **US D744,048 S**

(45) **Date of Patent:** **\*\* Nov. 24, 2015**

(54) **TOY GUN STOCK**

(71) Applicant: **I Chih Shivan Enterprise Co., Ltd.**,  
Taichung (TW)

(72) Inventor: **Chen Tang Chu**, Taichung (TW)

(73) Assignee: **I Chih Shivan Enterprise Co., Ltd.**,  
Taichung (TW)

(\*\*) Term: **14 Years**

(21) Appl. No.: **29/502,755**

(22) Filed: **Sep. 19, 2014**

(51) **LOC (10) Cl.** ..... **21-01**

(52) **U.S. Cl.**  
USPC ..... **D21/573**

(58) **Field of Classification Search**  
USPC ..... D21/333, 401, 461, 567, 568, 570-575;  
D14/418; D22/100, 101, 103, 104,  
D22/105, 108-110; 124/16, 26, 27, 28, 29,  
124/54, 73-77; 222/78, 79; 42/54, 57, 58,  
42/71.01, 72, 73, 74, 75.03, 90; 446/23,  
446/182, 192, 401, 403, 405-407, 473, 475  
CPC ..... F41C 23/00; F41C 23/02; F41C 23/04;  
F41C 23/06; F41C 23/08; F41C 23/10;  
F41C 23/12; F41C 23/14; F41C 23/16;  
F41C 23/18; F41C 23/20; F41C 23/22;  
F41C 7/02; F41C 7/04; F41C 7/06; F41C  
7/11; F41C 7/12

See application file for complete search history.

(56) **References Cited**

U.S. PATENT DOCUMENTS

D661,366	S *	6/2012	Zusman	.....	D22/108
D683,808	S *	6/2013	Elkaim	.....	D22/108
D697,162	S *	1/2014	Faifer	.....	D22/108
D706,879	S *	6/2014	Chu	.....	D21/573
2010/0115817	A1 *	5/2010	Faifer	.....	42/71.01
2013/0180148	A1 *	7/2013	Rogers et al.	.....	42/73

\* cited by examiner

*Primary Examiner* — Cynthia M Chin

(74) *Attorney, Agent, or Firm* — Leong C. Lei

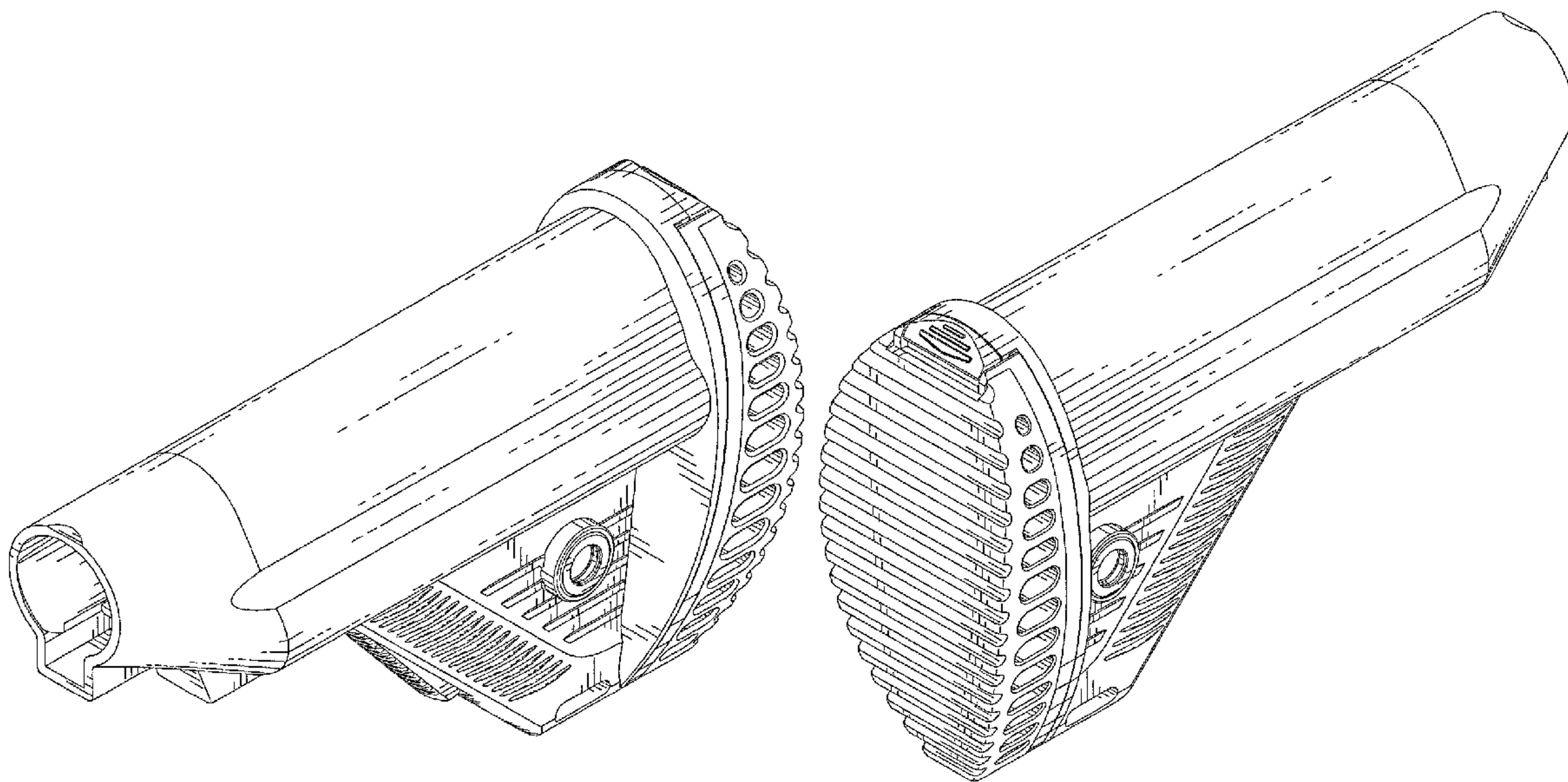
(57) **CLAIM**

The ornamental design for a toy gun stock, as shown and described.

**DESCRIPTION**

FIG. 1 is a front perspective view of a toy gun stock showing my new design;  
FIG. 2 is a rear perspective view thereof;  
FIG. 3 is another perspective view thereof;  
FIG. 4 is a front elevational view thereof;  
FIG. 5 is a rear elevational view thereof;  
FIG. 6 is a left elevational view thereof;  
FIG. 7 is a right elevational view thereof;  
FIG. 8 is a top plan view thereof; and,  
FIG. 9 is a bottom plan view thereof.

**1 Claim, 8 Drawing Sheets**



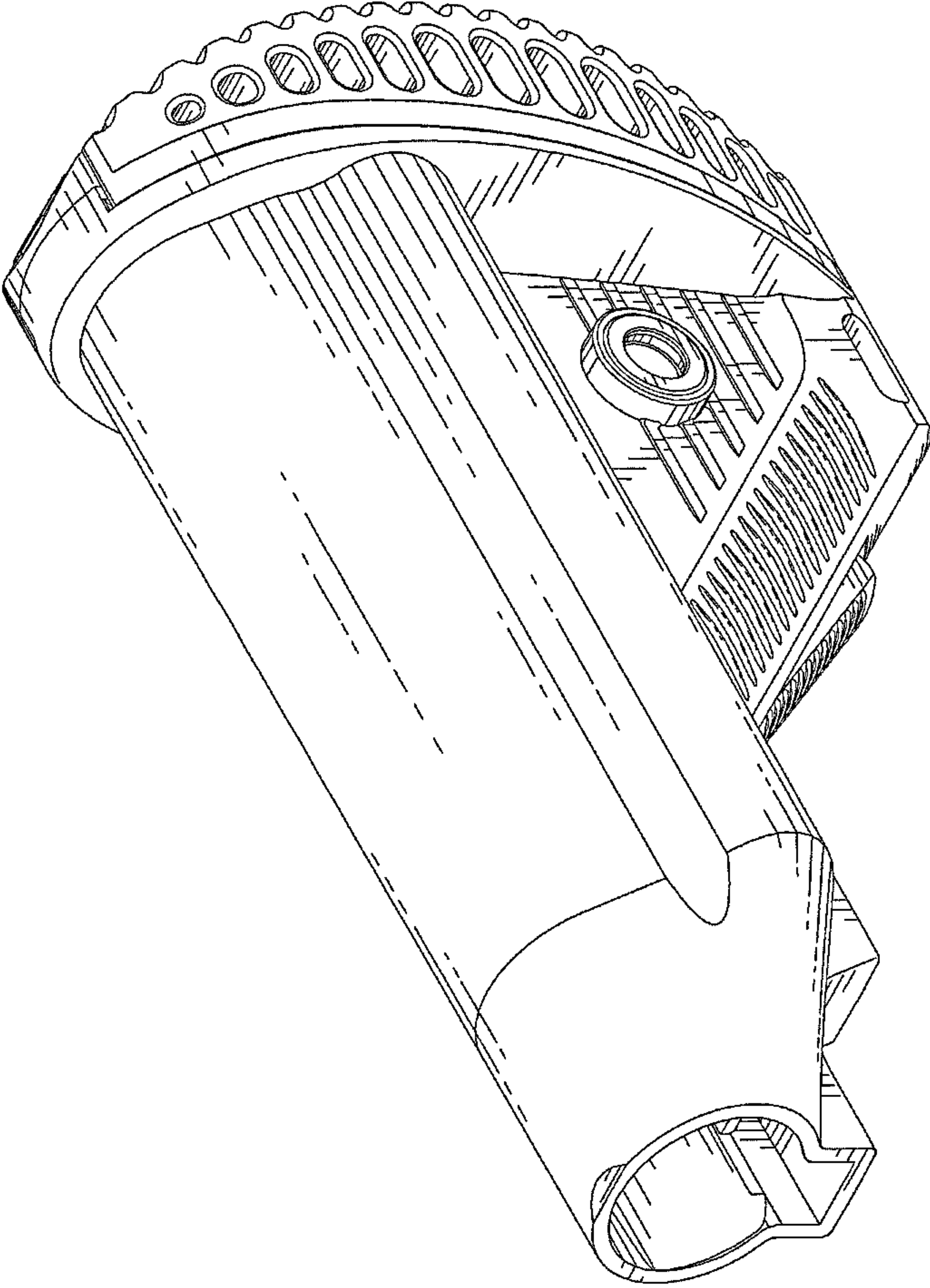


FIG. 1

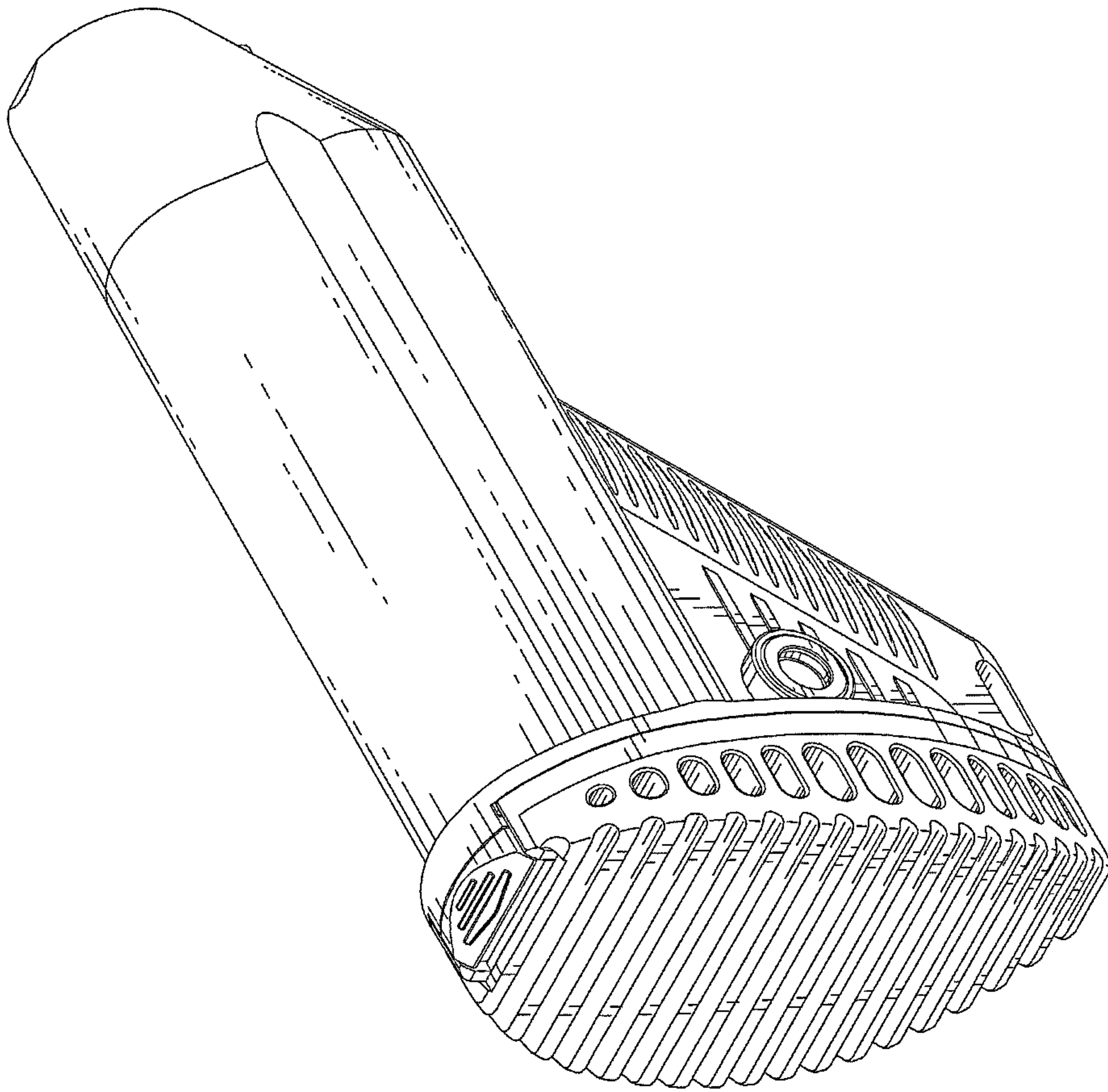


FIG. 2



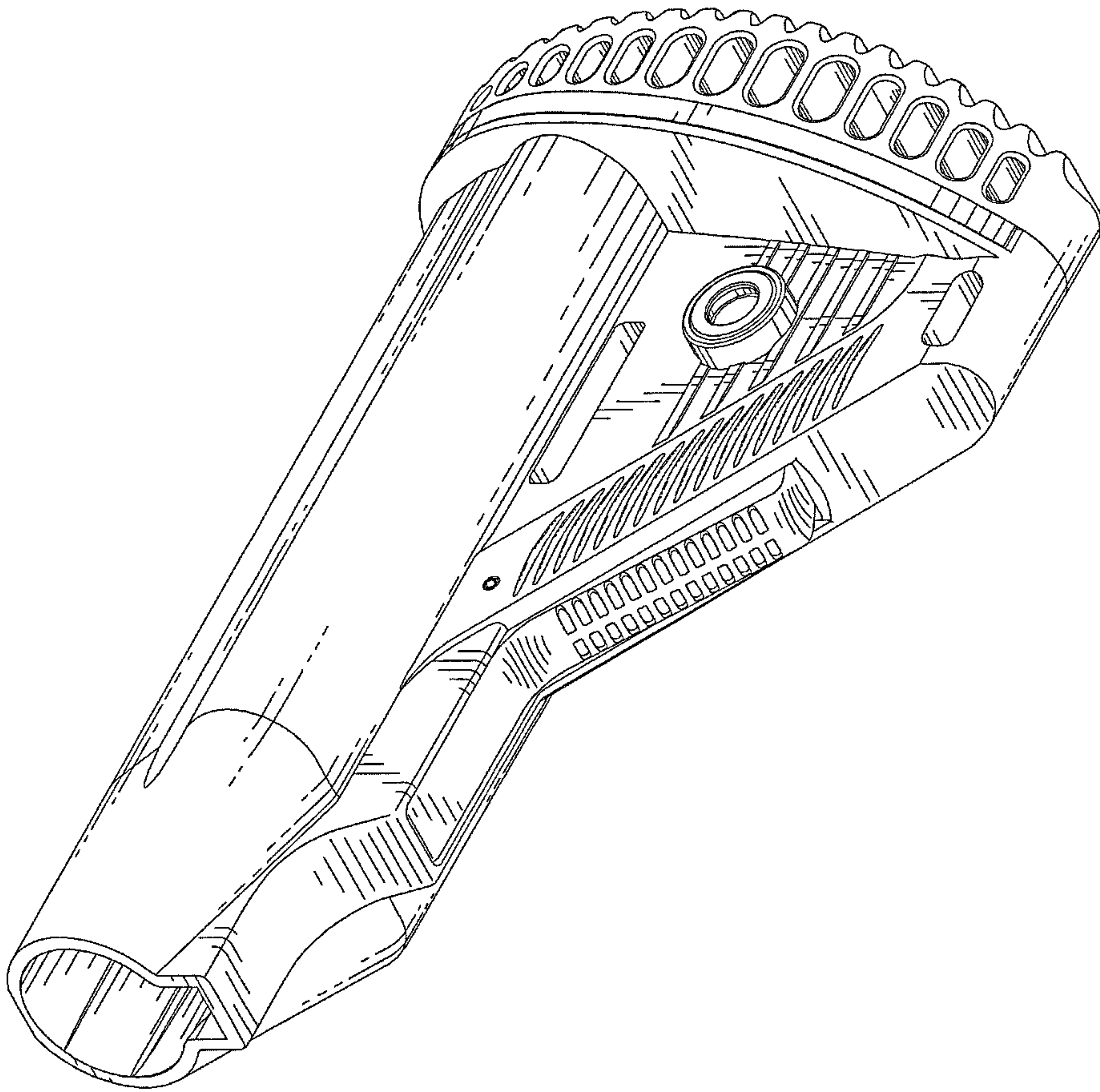


FIG. 3

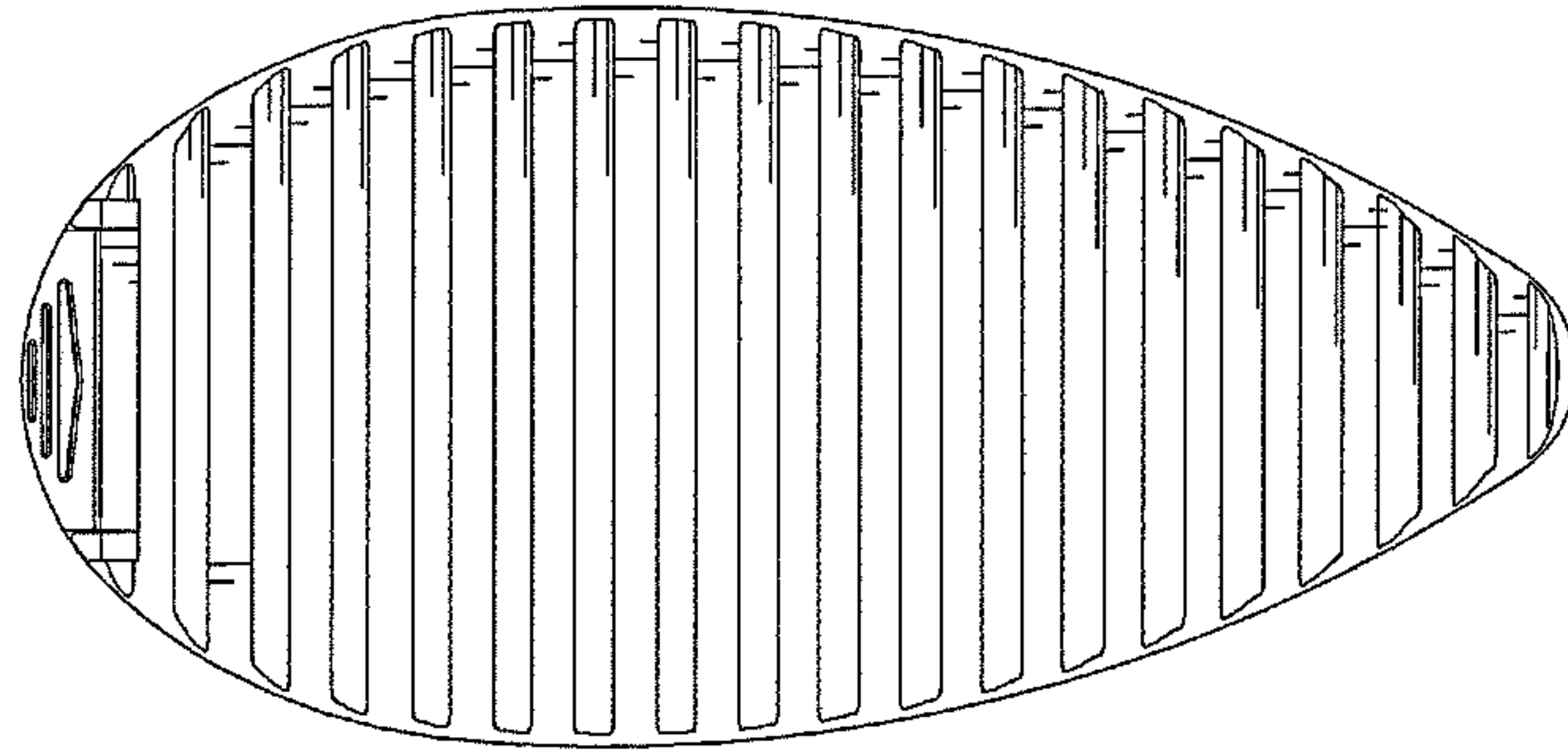


FIG. 5

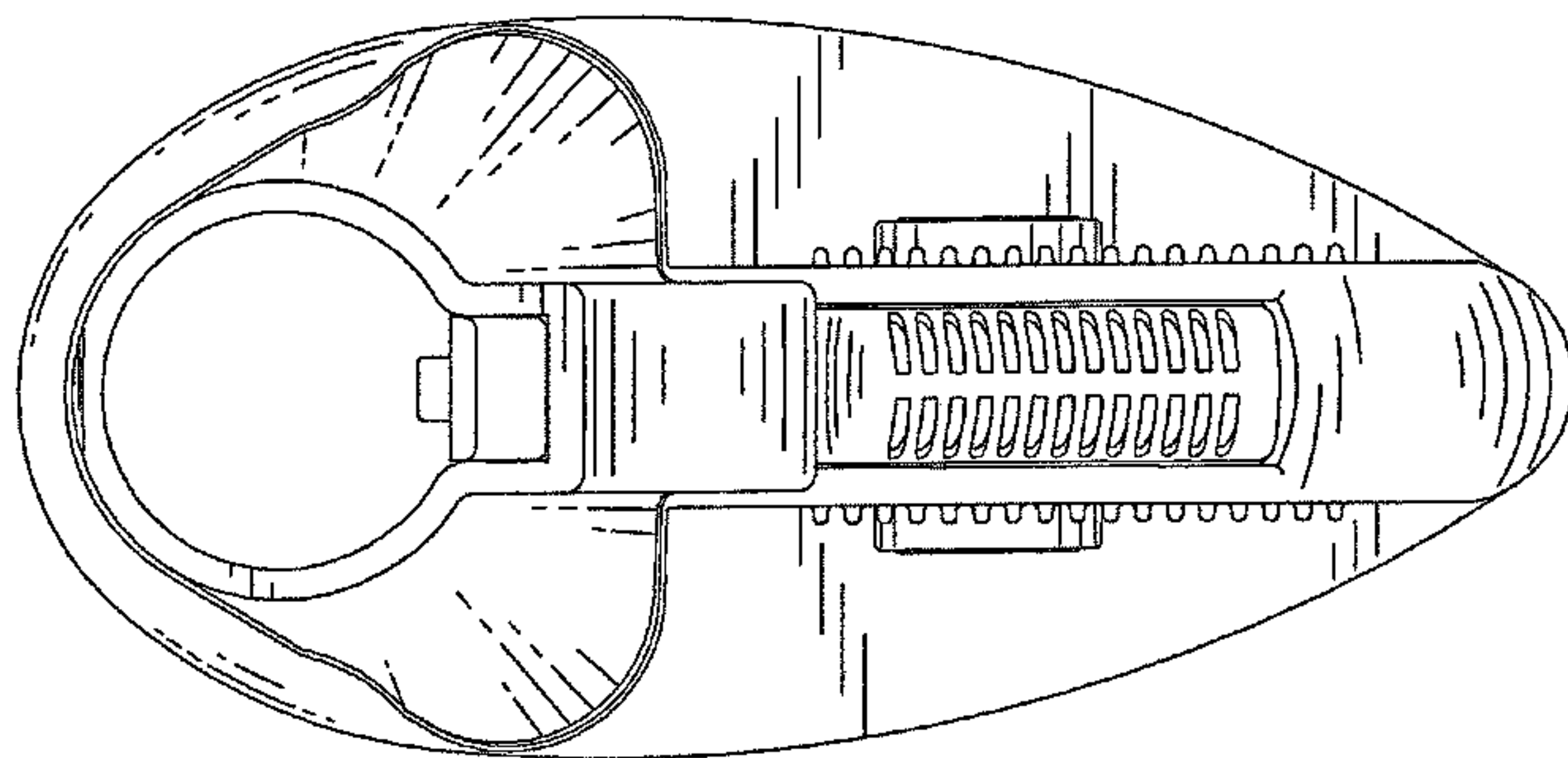


FIG. 4

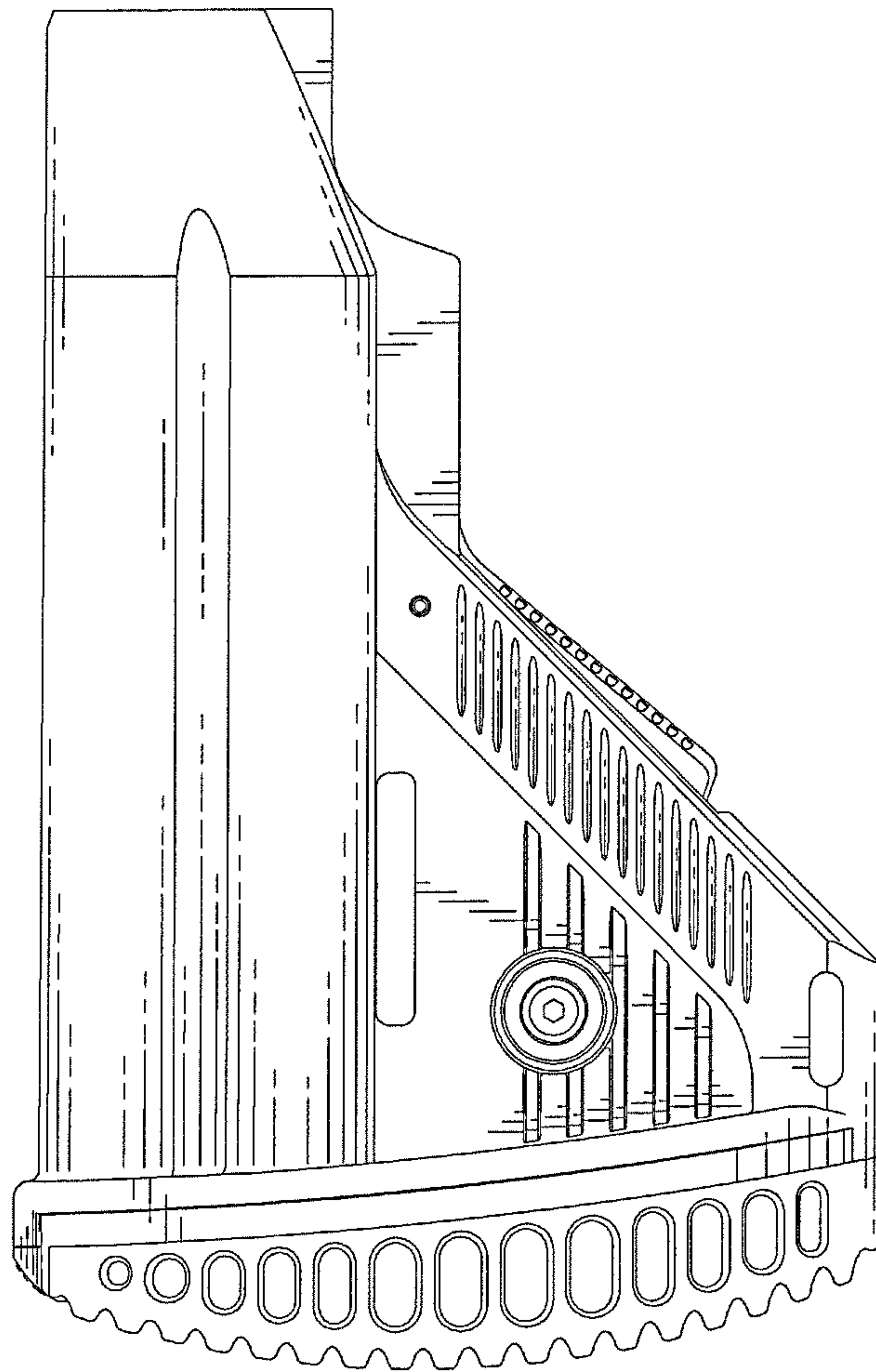


FIG. 6

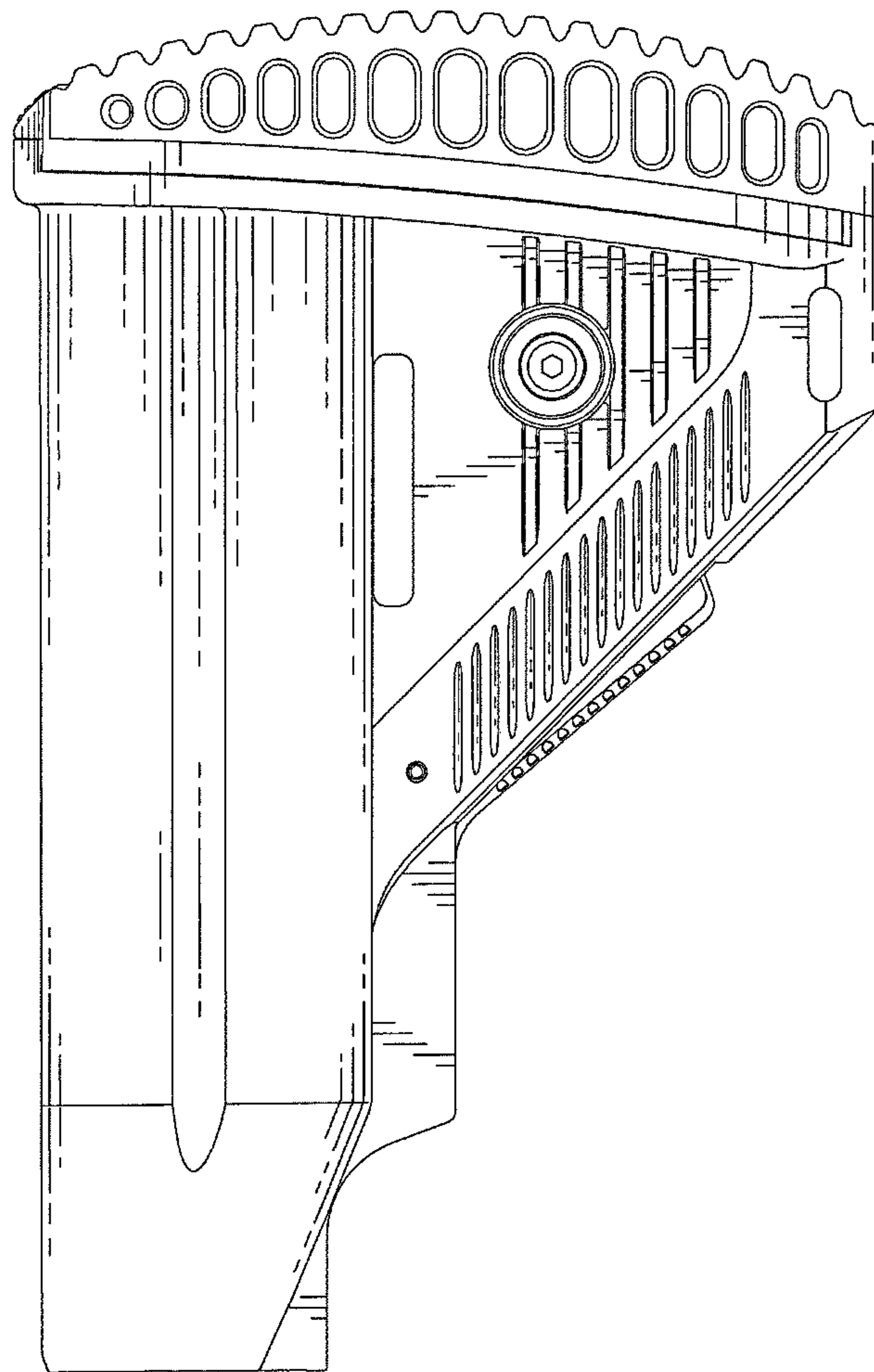


FIG. 7

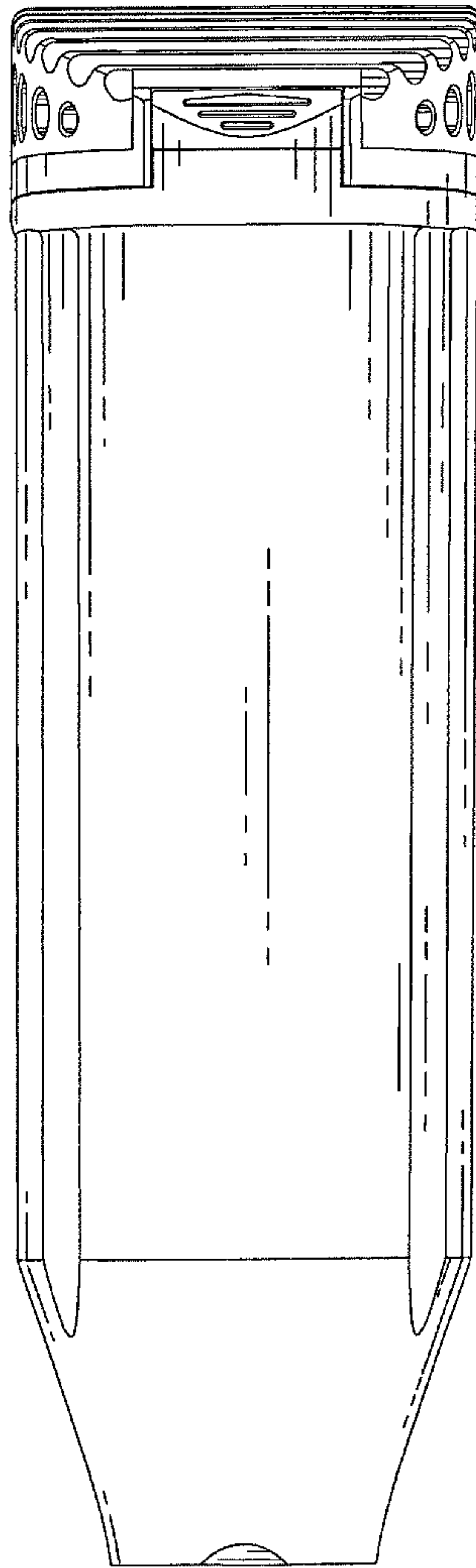
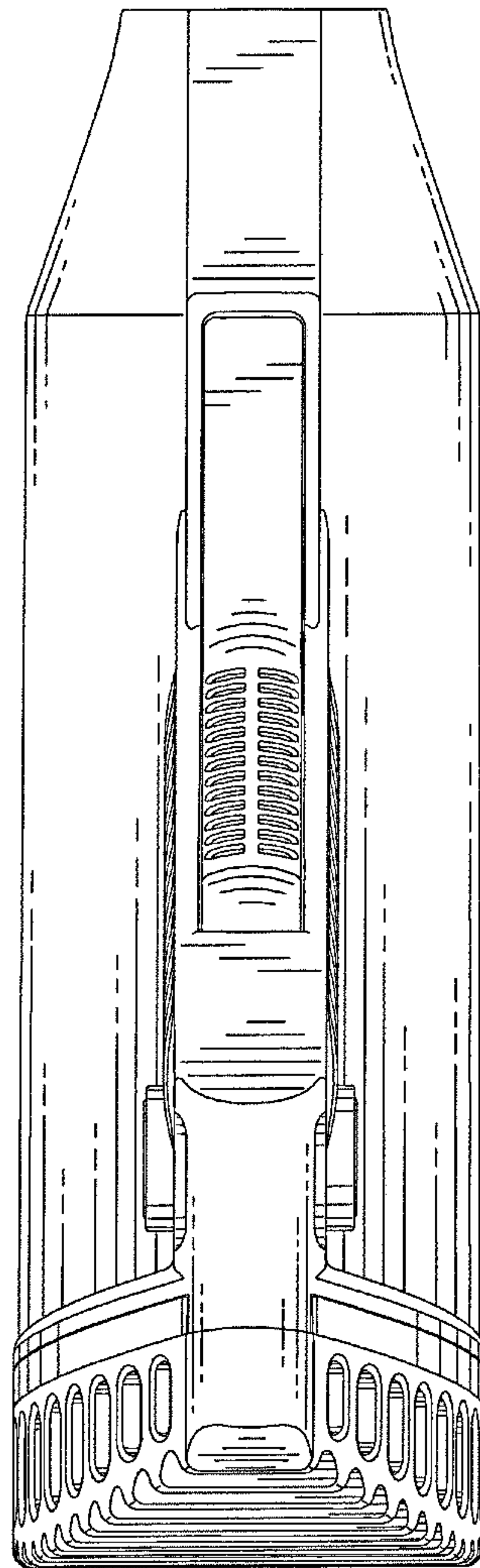


FIG. 8





*FIG. 9*