



US00D744047S

(12) **United States Design Patent**
Daddoosh et al.

(10) **Patent No.:** **US D744,047 S**

(45) **Date of Patent:** **** Nov. 24, 2015**

(54) **FOLDABLE MOTORIZED SCOOTER**

(71) Applicants: **Ori Daddoosh**, Hertzeliya (IL); **Ori Yemini**, Elyakhin (IL)

(72) Inventors: **Ori Daddoosh**, Hertzeliya (IL); **Ori Yemini**, Elyakhin (IL)

(73) Assignee: **Green Ride LTD**, Haifa (IL)

(**) Term: **14 Years**

(21) Appl. No.: **29/498,964**

(22) Filed: **Aug. 10, 2014**

(51) **LOC (10) Cl.** **21-01**

(52) **U.S. Cl.**
USPC **D21/423**

(58) **Field of Classification Search**
USPC D21/419, 421, 423, 426–428, 435,
D21/668–671, 760, 765, 771; D12/1, 8,
D12/108, 111, 112, 113
CPC B62K 3/002; B62K 9/00; B62K 9/02;
B62K 13/00; B62K 2202/00
See application file for complete search history.

(56) **References Cited**

U.S. PATENT DOCUMENTS

4,842,091 A * 6/1989 Badsey 280/87.041
D433,718 S * 11/2000 McGreen D21/423

D452,886 S * 1/2002 Wang et al. D21/423
D459,405 S * 6/2002 Badsey D21/423
D509,258 S * 9/2005 Huanxue D21/423
D715,371 S * 10/2014 Engele D21/423
2014/0151982 A1 * 6/2014 Ferret 280/641

* cited by examiner

Primary Examiner — Cynthia M Chin

(74) *Attorney, Agent, or Firm* — Blue Filament Law, PLLC;
Guy Levi

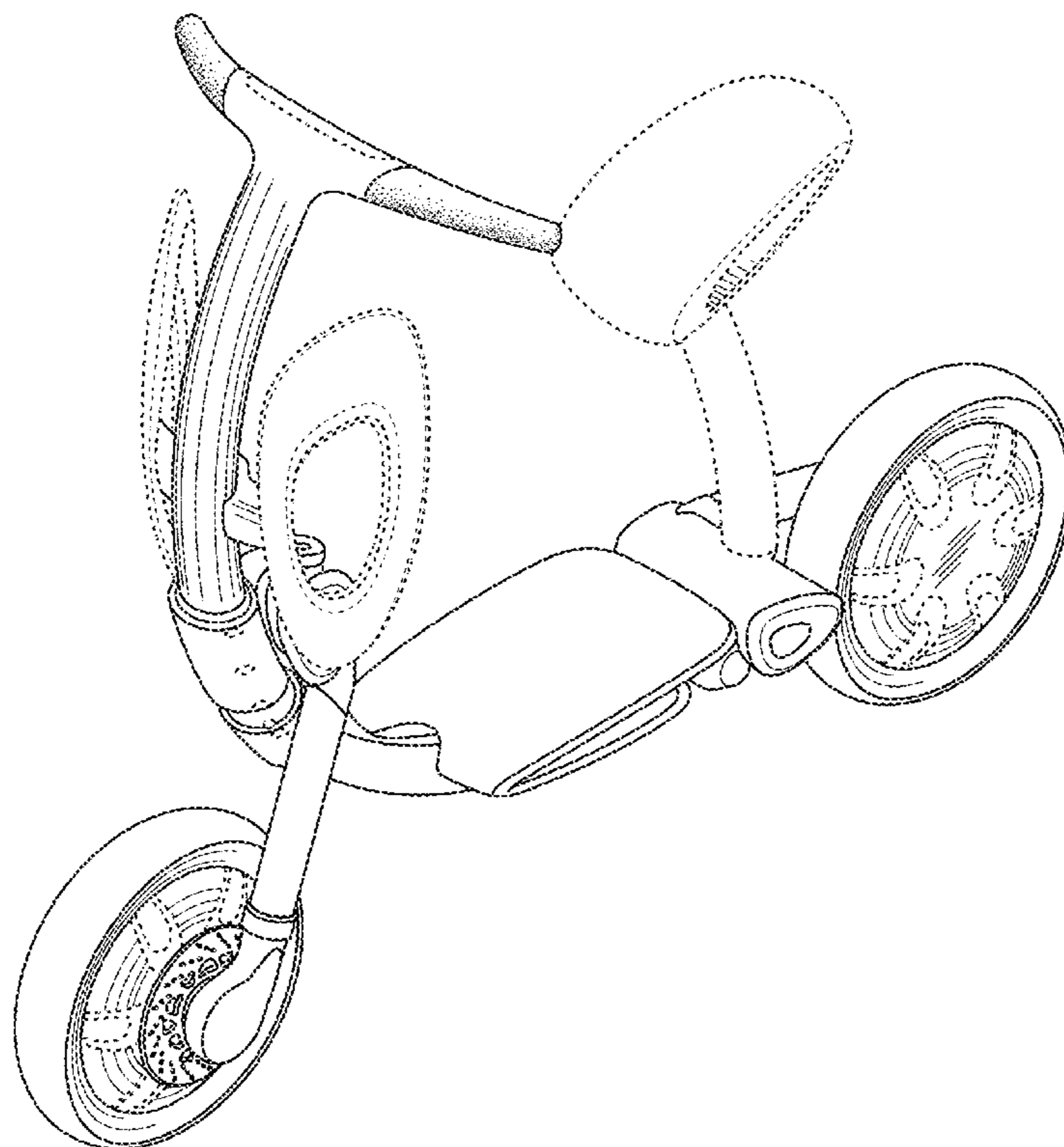
(57) **CLAIM**

We claim, the ornamental design for a foldable motorized scooter, as shown and described.

DESCRIPTION

FIG. 1 shows a top right rear perspective of a foldable motorized scooter showing our new design;
FIG. 2 shows a top left front perspective thereof;
FIG. 3 shows a rear elevational view thereof;
FIG. 4 shows a front elevational view thereof;
FIG. 5 shows a bottom plan view thereof;
FIG. 6 shows a top plan view thereof;
FIG. 7 shows a left side elevational view thereof; and,
FIG. 8 shows a right side elevational view thereof.
The dashed lines shown in FIGS. 1-8 indicate environmental structures and as such, do not form a part of the claimed design. Stippling indicates contrast in materials and/or texture and is not intended to represent any specific color.

1 Claim, 7 Drawing Sheets



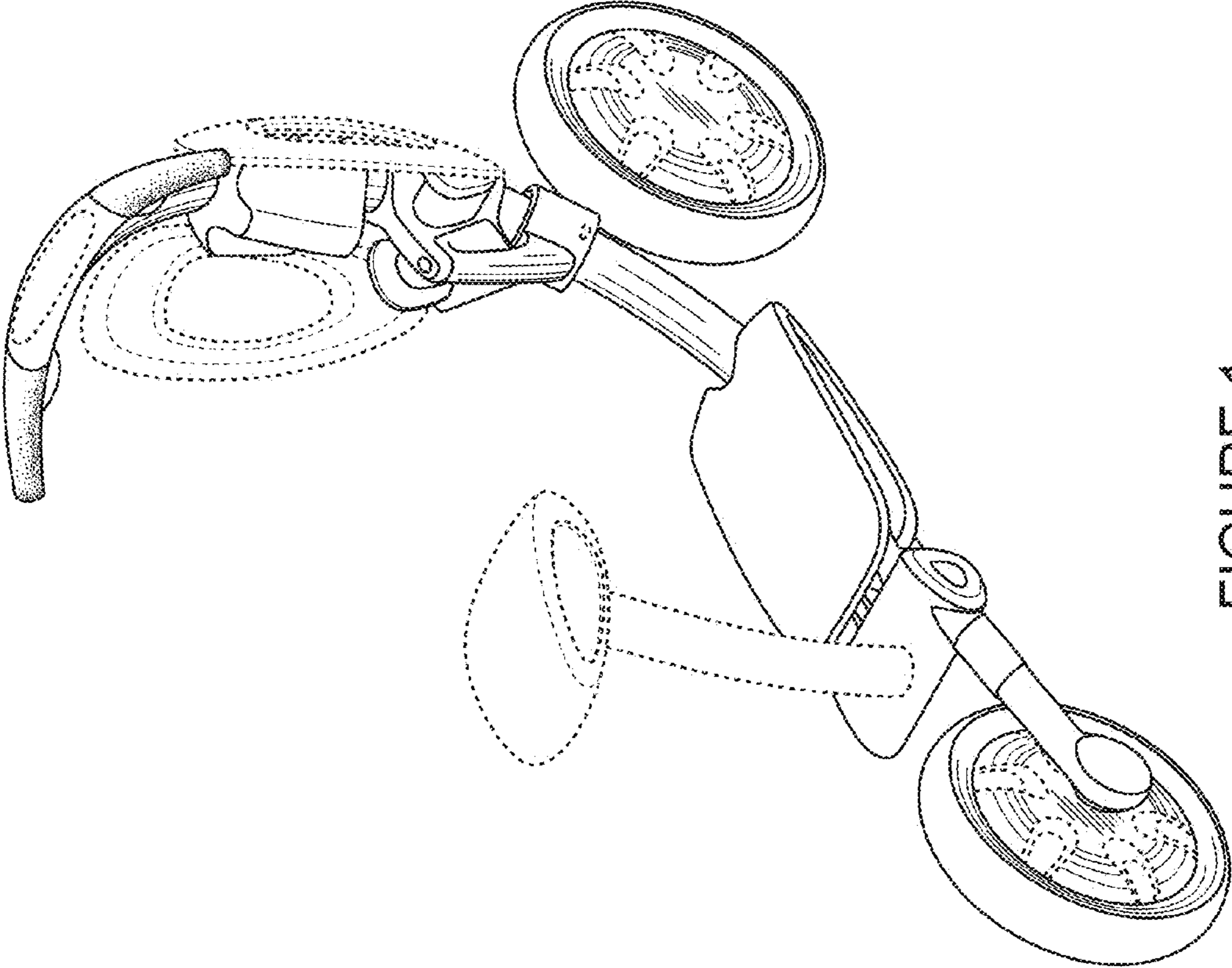


FIGURE 1

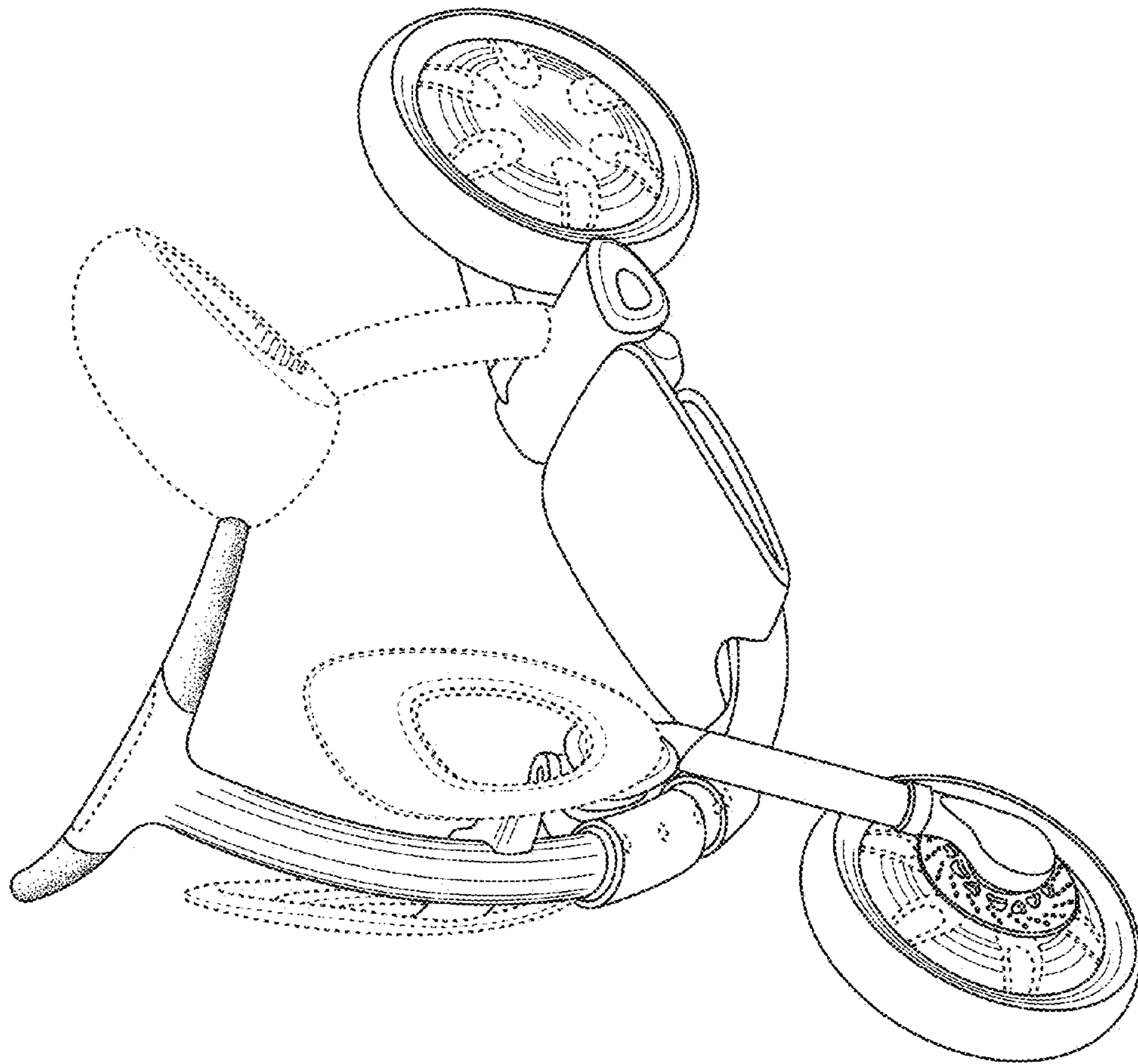


FIGURE 2

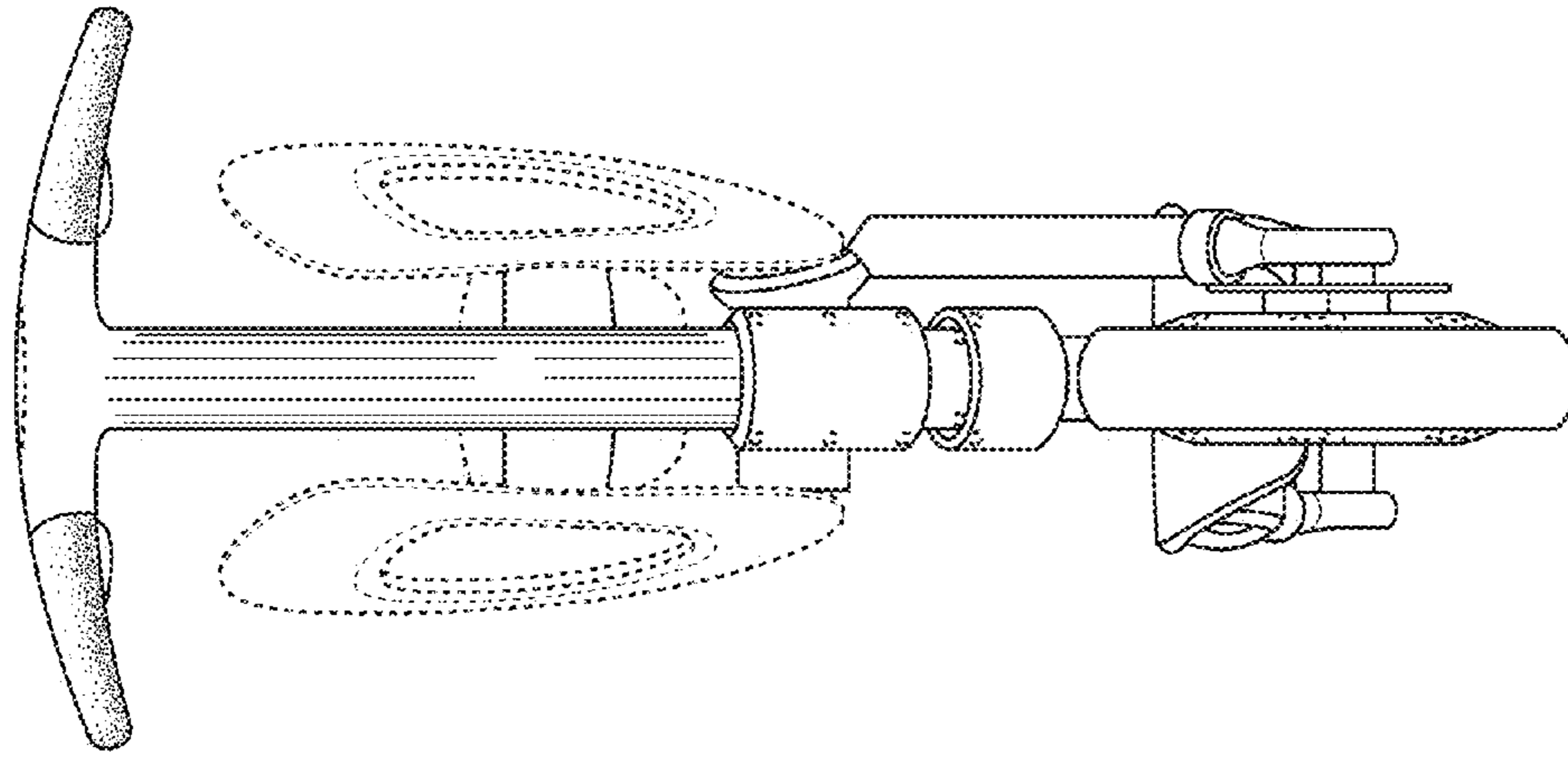


FIGURE 4

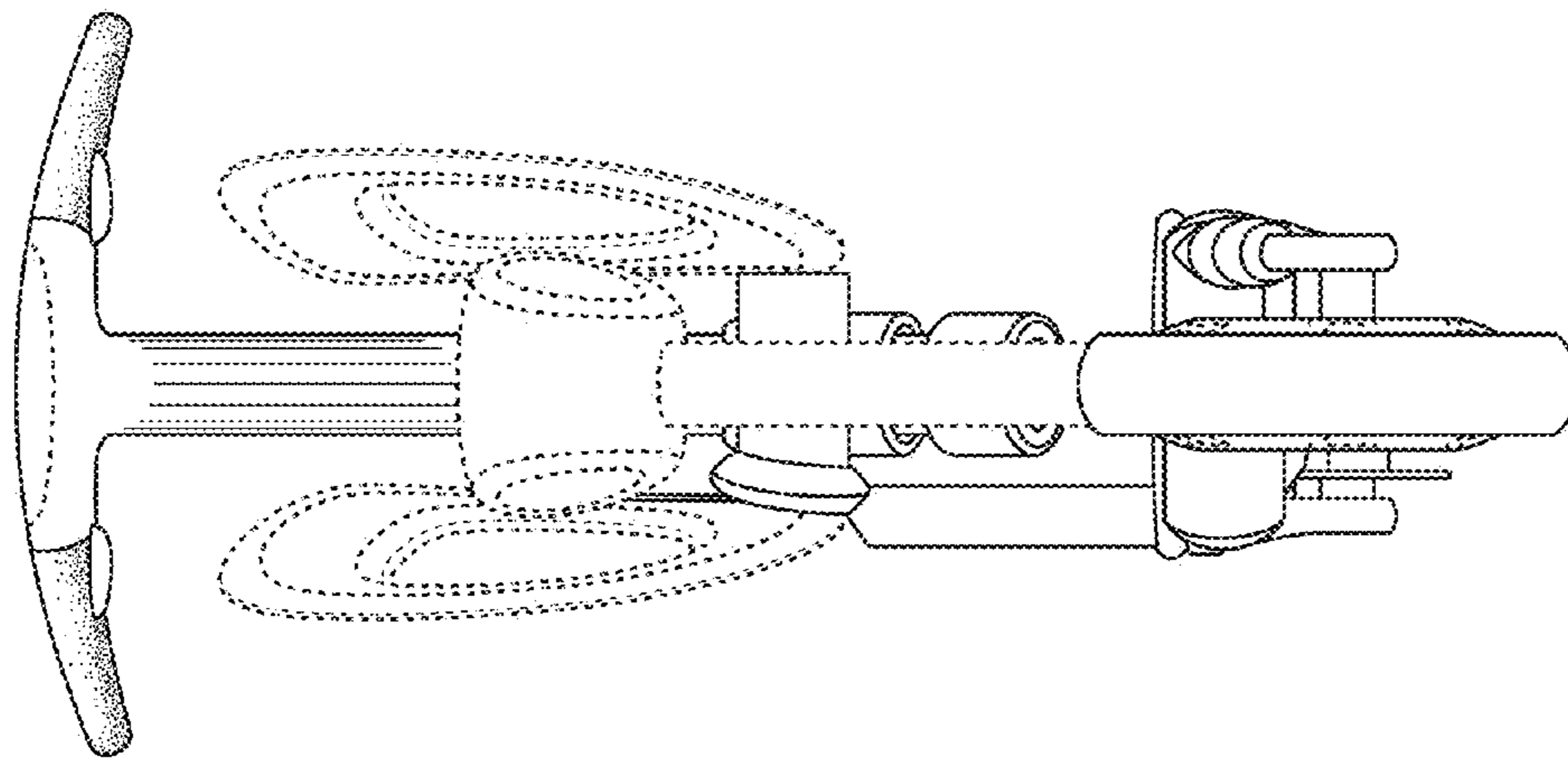


FIGURE 3

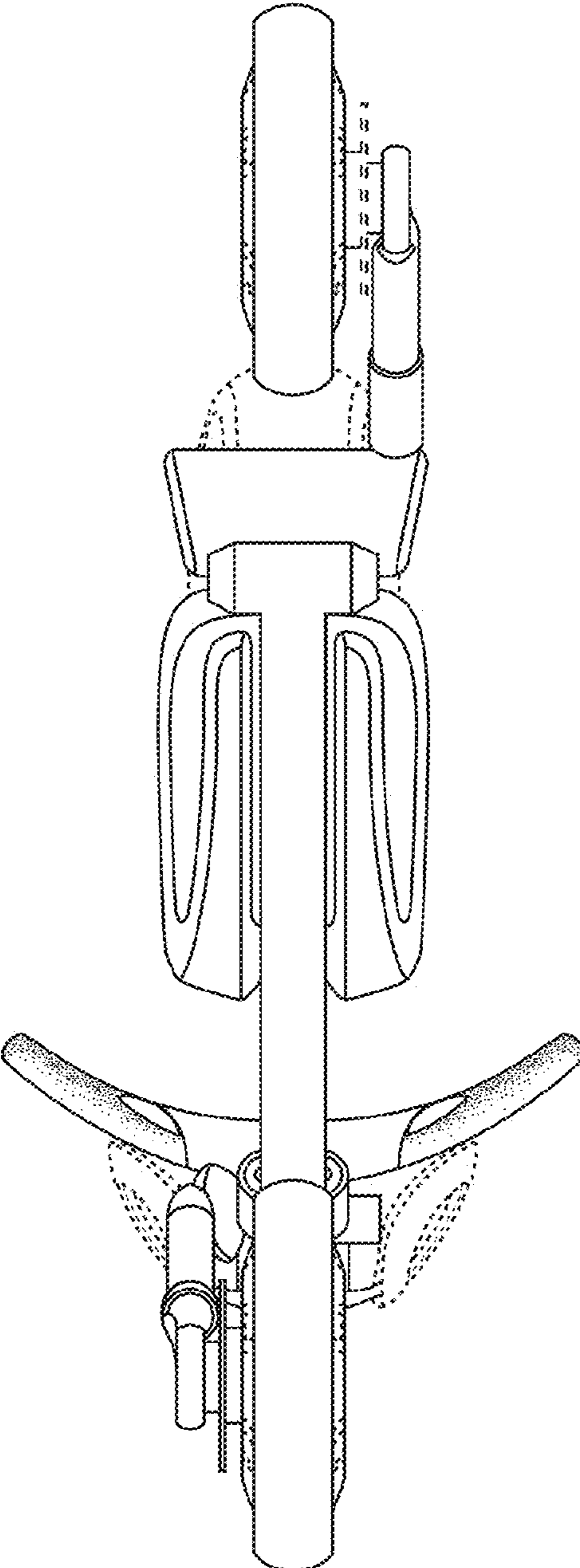


FIGURE 5

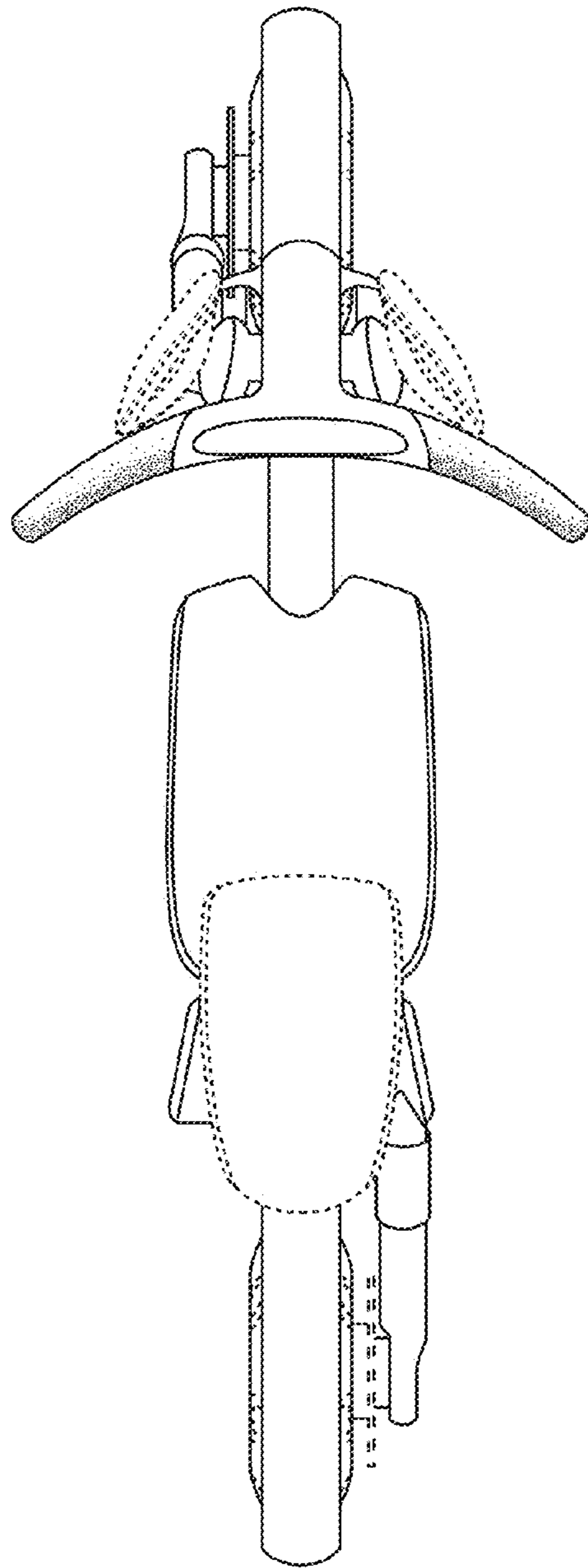


FIGURE 6

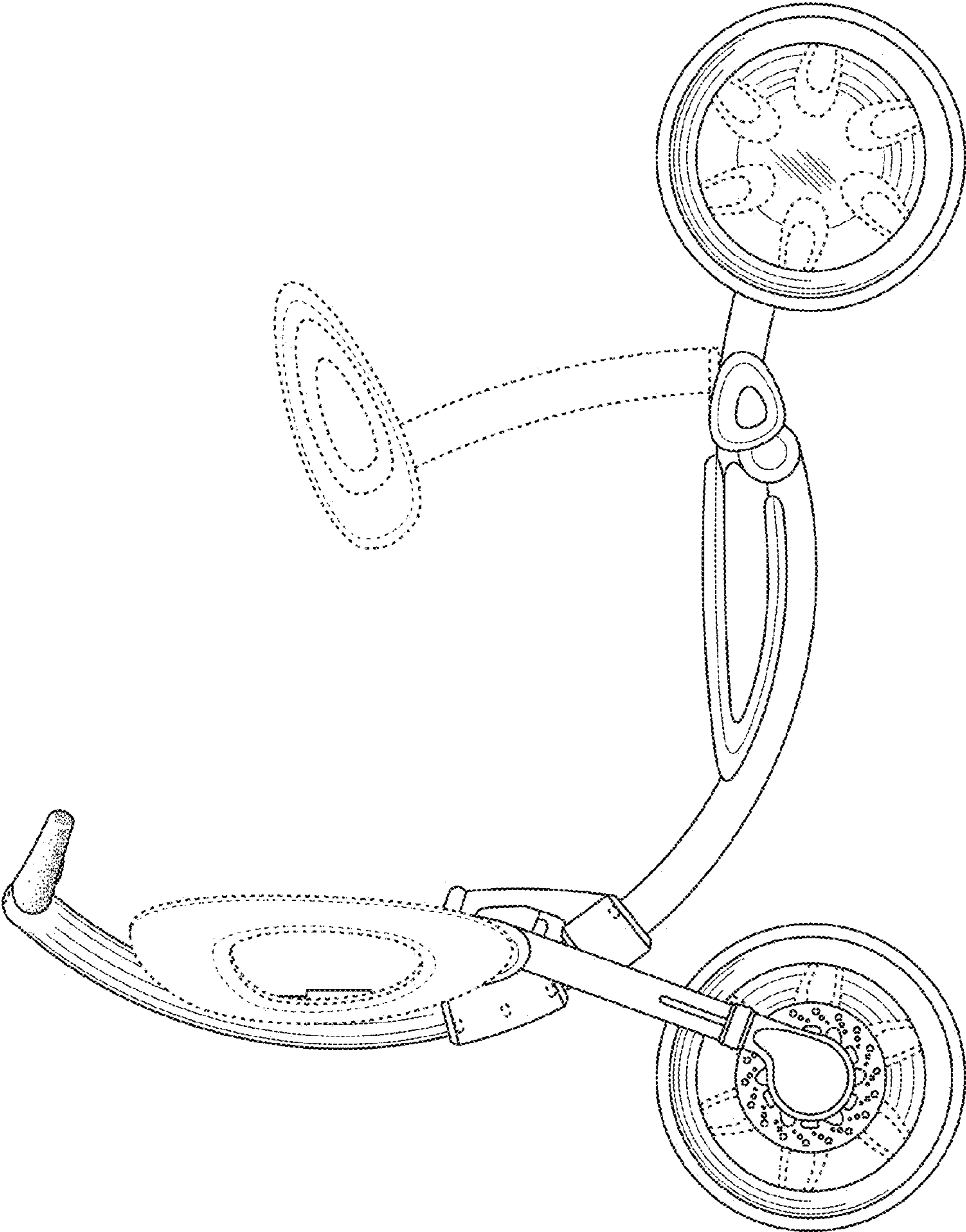


FIGURE 7

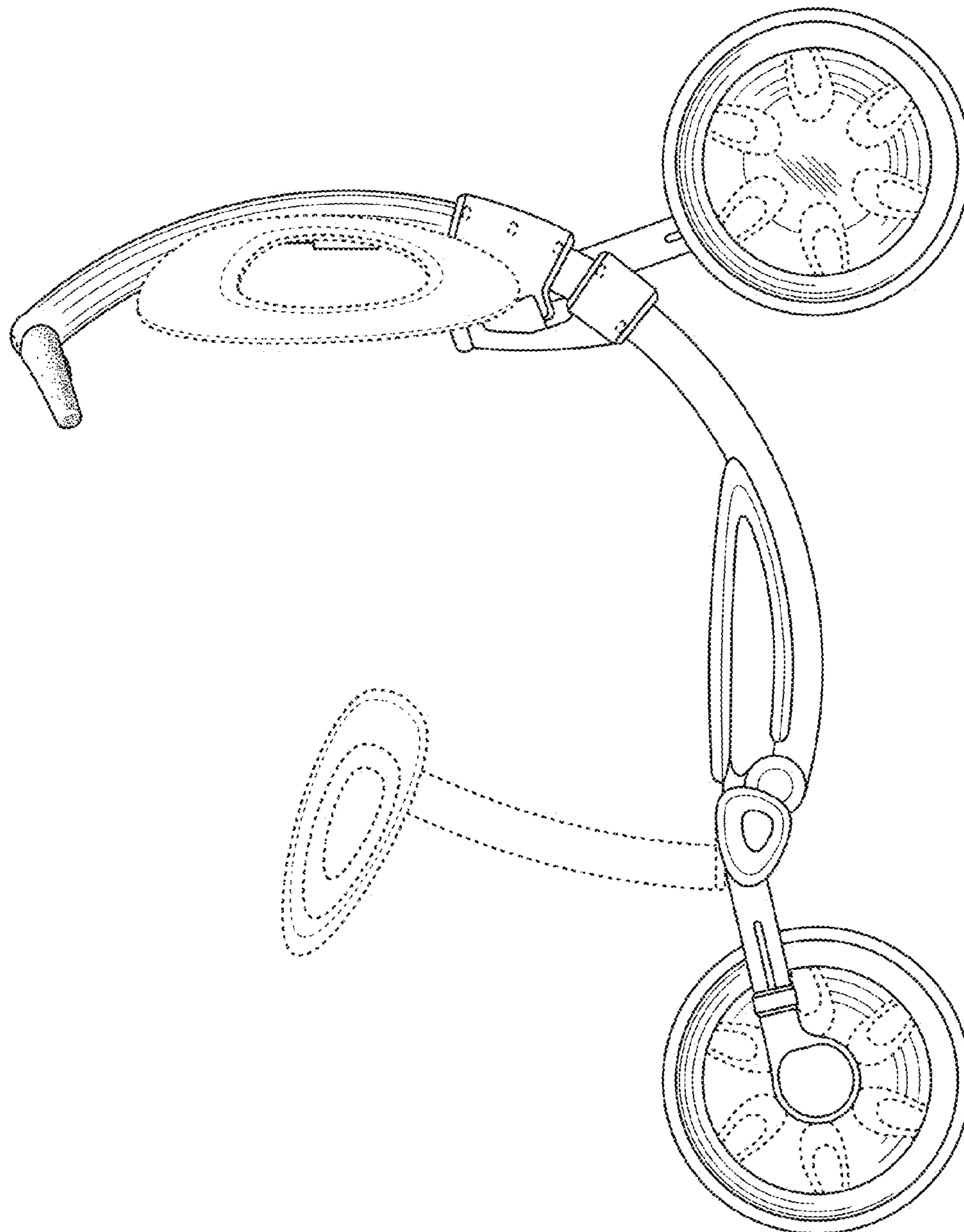


FIGURE 8