



US00D744046S

(12) **United States Design Patent**  
**Chen**

(10) **Patent No.:** **US D744,046 S**

(45) **Date of Patent:** **\*\* Nov. 24, 2015**

(54) **BABY TOY PRODUCING SOUND AND LIGHT**

(71) Applicant: **Way-Hong Chen**, Taipei (TW)

(72) Inventor: **Way-Hong Chen**, Taipei (TW)

(\*\*) Term: **14 Years**

(21) Appl. No.: **29/502,382**

(22) Filed: **Sep. 16, 2014**

(51) **LOC (10) Cl.** ..... **21-01**

(52) **U.S. Cl.**

USPC ..... **D21/398**; D21/405; D21/467

(58) **Field of Classification Search**

USPC ..... D21/398, 405, 465, 467, 476; D6/390,  
D6/715; D14/496, 162, 168, 172, 203.1,  
D14/203.2, 203.8, 207, 209.1; D26/51, 52,  
D26/57, 60

CPC ..... A63H 33/006; A63H 33/22; A63H 33/26;  
A63H 33/40; A63H 33/42; A63H 5/00;  
A63H 13/20

See application file for complete search history.

(56) **References Cited**

**U.S. PATENT DOCUMENTS**

D299,936	S	*	2/1989	Williams et al.	.....	D21/467
5,672,088	A	*	9/1997	Chininis	.....	446/227
5,803,786	A	*	9/1998	McCormick	.....	446/227
D467,285	S	*	12/2002	Myers	.....	D21/467
6,769,952	B1	*	8/2004	Drosendahl et al.	.....	446/227

D498,505	S	*	11/2004	Brigham et al.	.....	D21/467
7,172,486	B2	*	2/2007	Drosendahl et al.	.....	446/81
8,328,594	B2	*	12/2012	Hall	.....	446/227
D695,846	S	*	12/2013	Oren et al.	.....	D21/398
D730,995	S	*	6/2015	Hayes et al.	.....	D21/467
2005/0148278	A1	*	7/2005	Drobinski et al.	.....	446/227
2006/0260663	A1	*	11/2006	Sejnowski et al.	.....	135/16
2010/0060448	A1	*	3/2010	Larsen et al.	.....	340/539.15

\* cited by examiner

*Primary Examiner* — Catherine Tuttle

(74) *Attorney, Agent, or Firm* — Alan D. Kamrath; Kamrath IP Lawfirm, P.A.

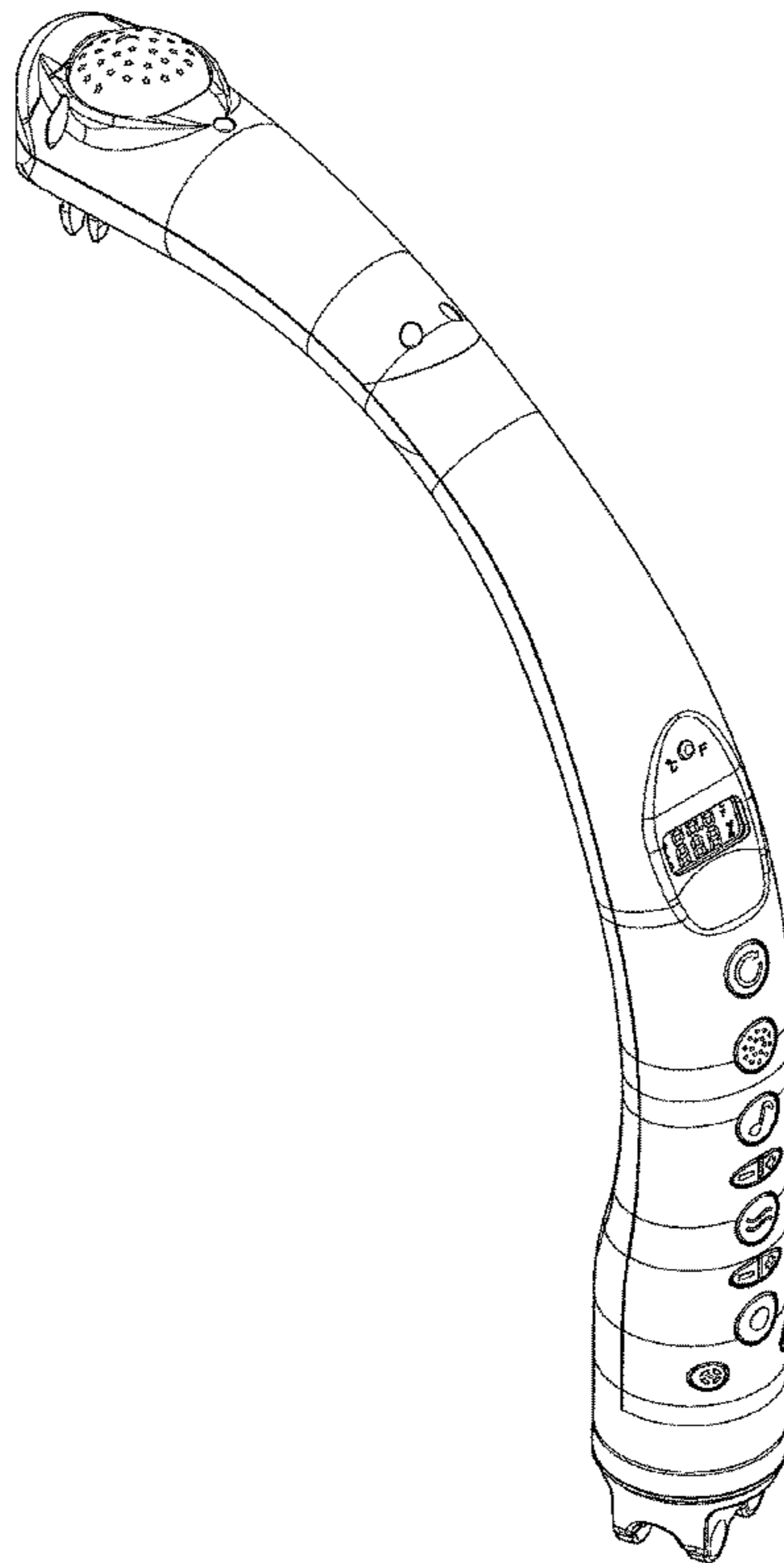
(57) **CLAIM**

The ornamental design for a baby toy producing sound and light, as shown and described.

**DESCRIPTION**

FIG. 1 is a perspective view of a baby toy producing sound and light showing my design;  
FIG. 2 is a front elevational view thereof;  
FIG. 3 is a rear elevational view thereof;  
FIG. 4 is a left side elevational view thereof;  
FIG. 5 is a right side elevational view thereof;  
FIG. 6 is a top plan view thereof;  
FIG. 7 is a bottom plan view thereof; and,  
FIG. 8 is a perspective view showing the design in association with a baby bed. The broken lines showing the baby bed are for illustrative purposes only and form no part of the claimed design.

**1 Claim, 6 Drawing Sheets**



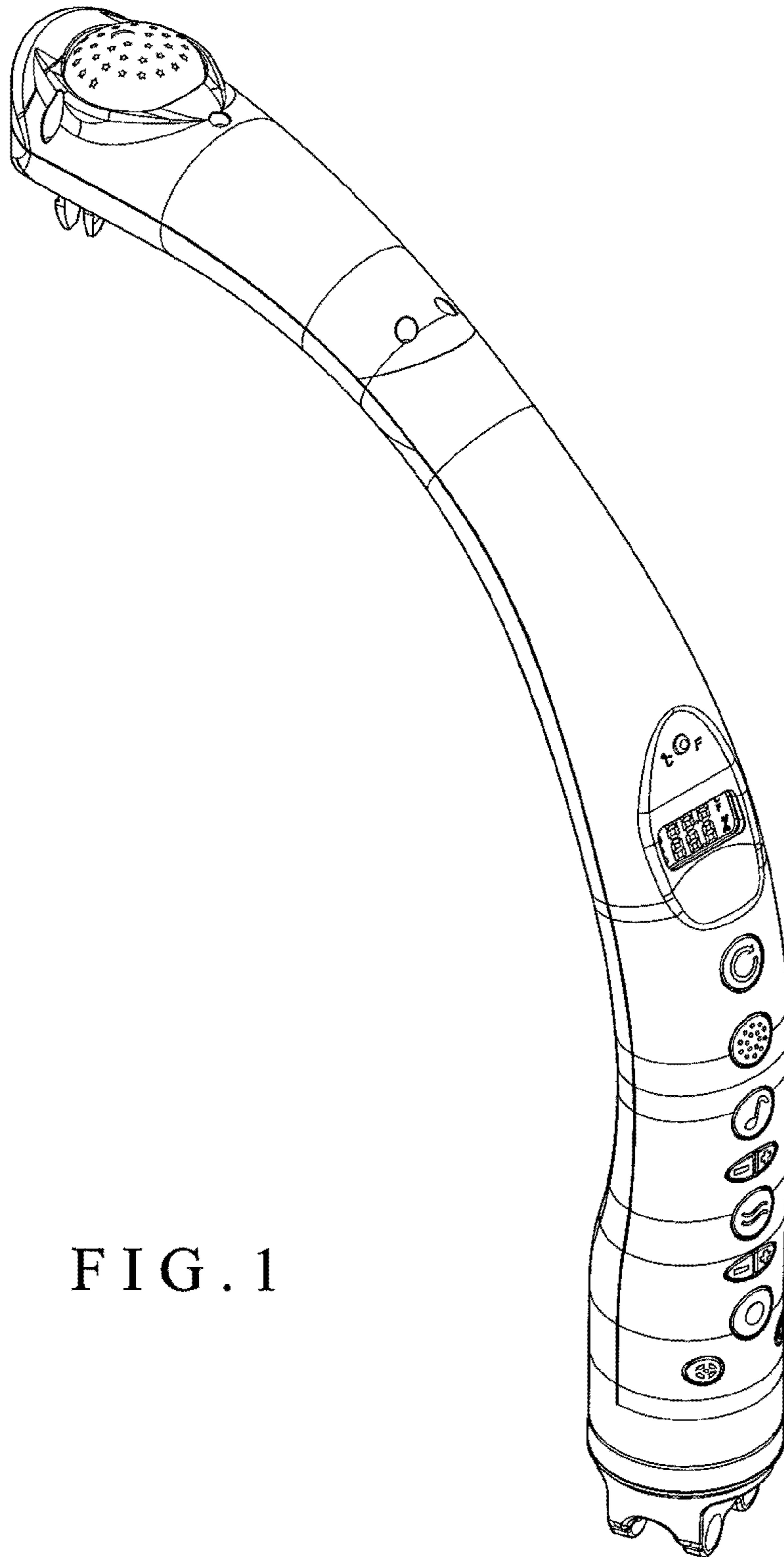


FIG. 1

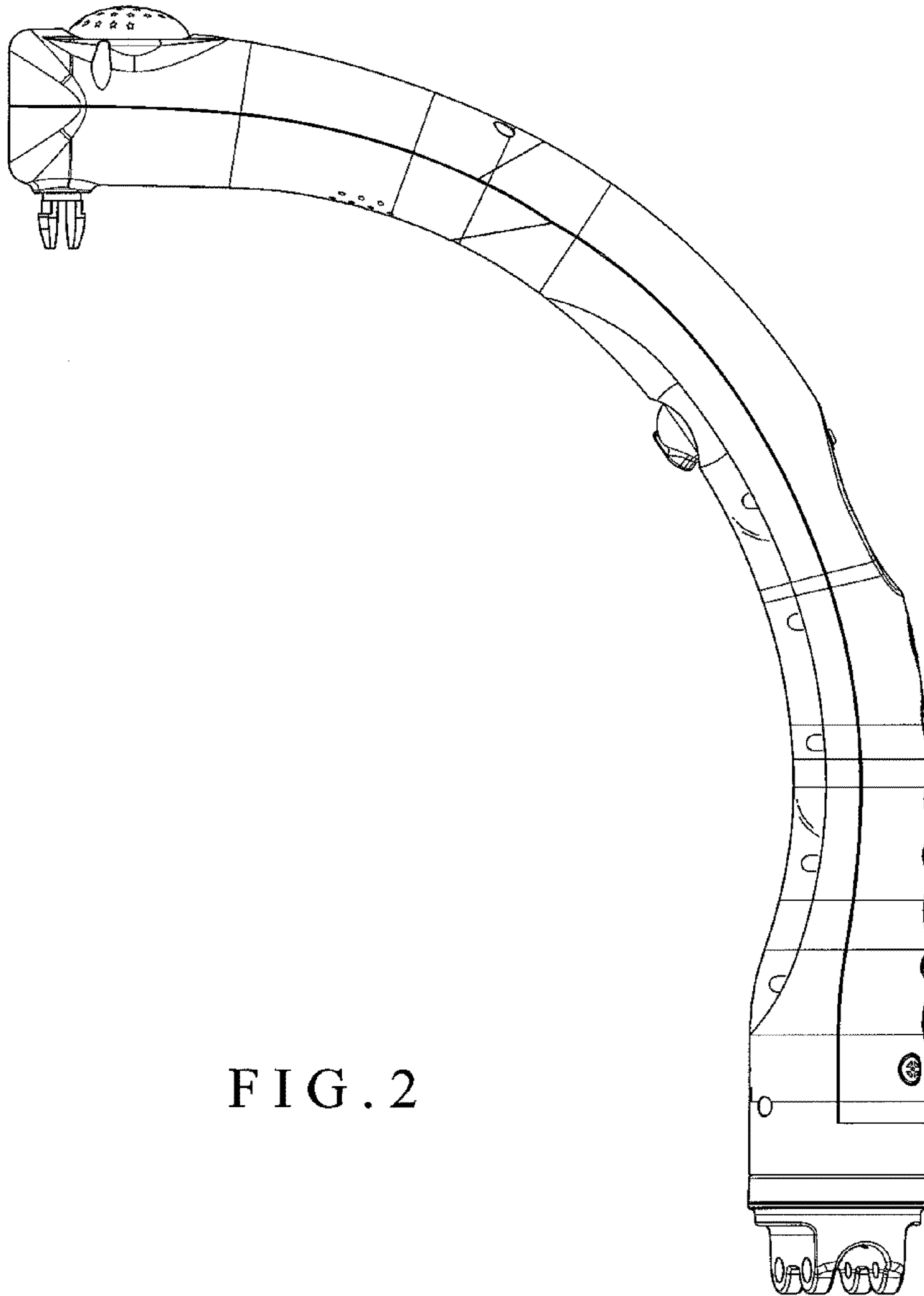


FIG. 2

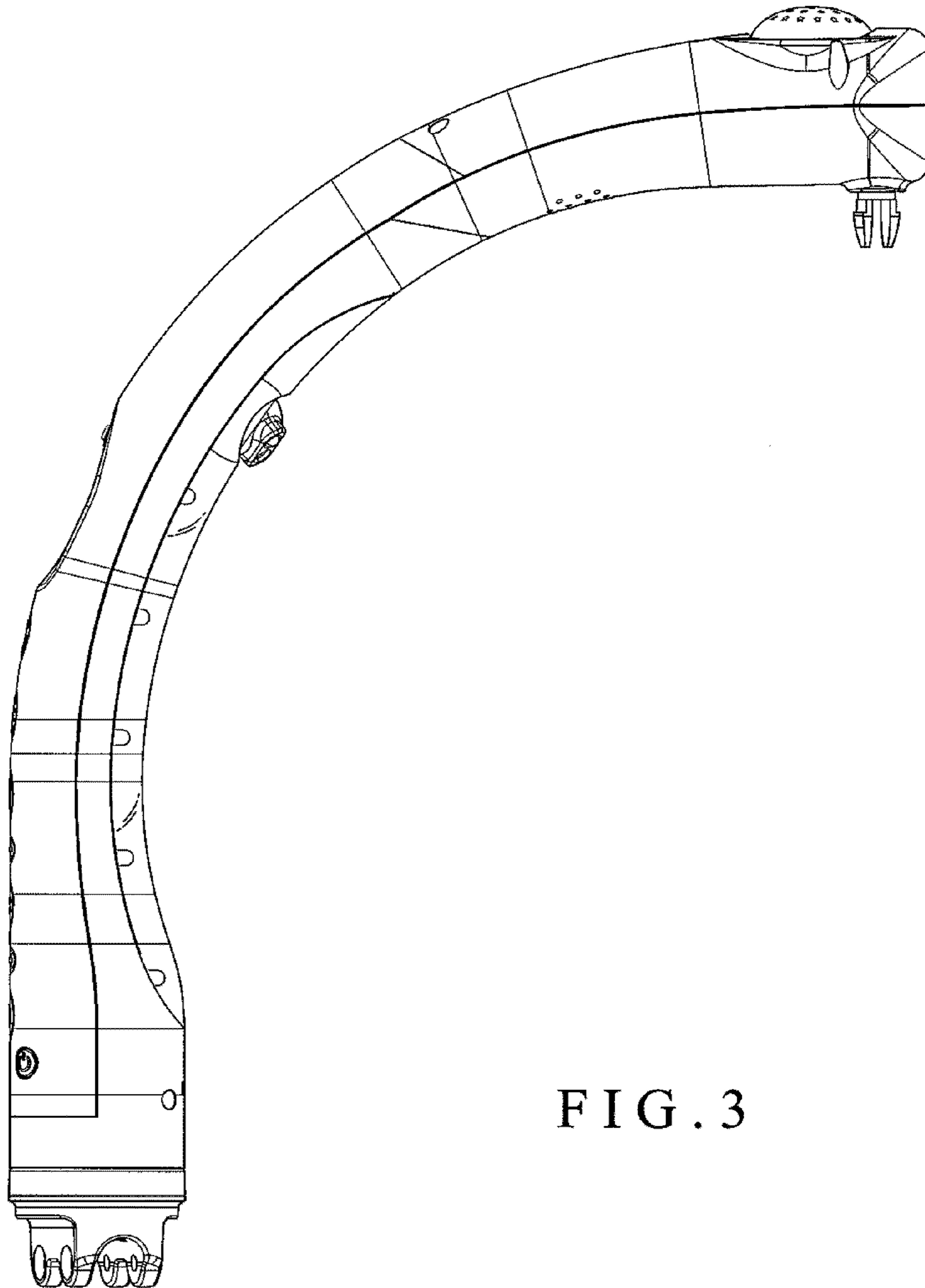


FIG. 3

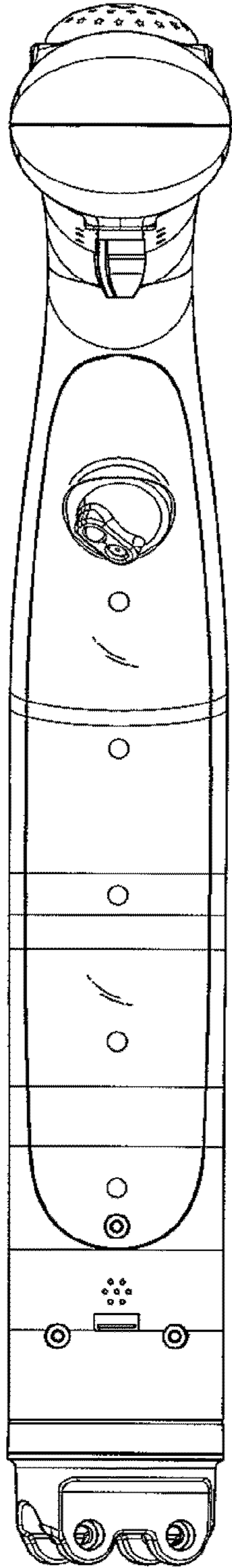


FIG. 4

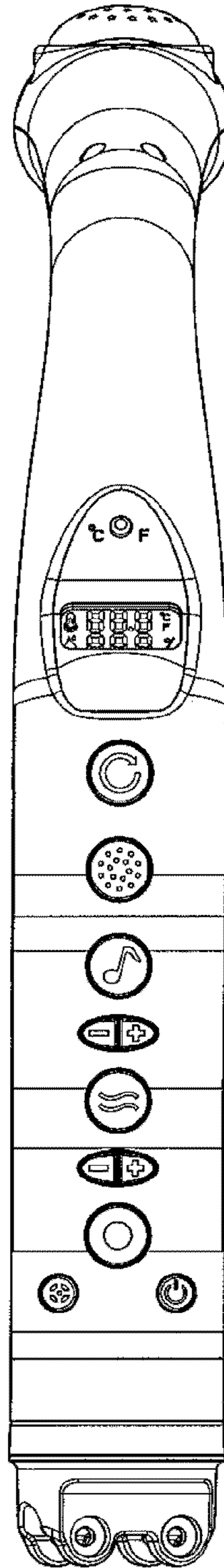


FIG. 5

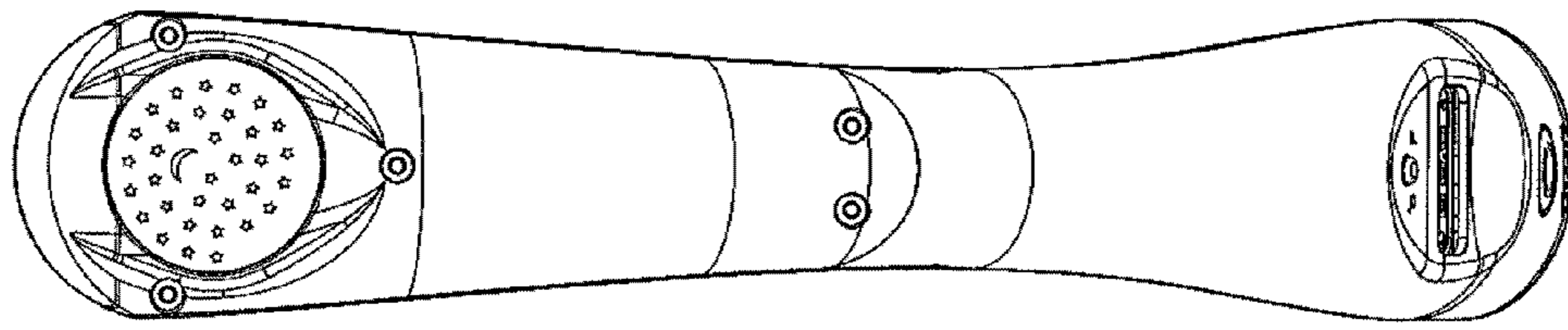


FIG. 6

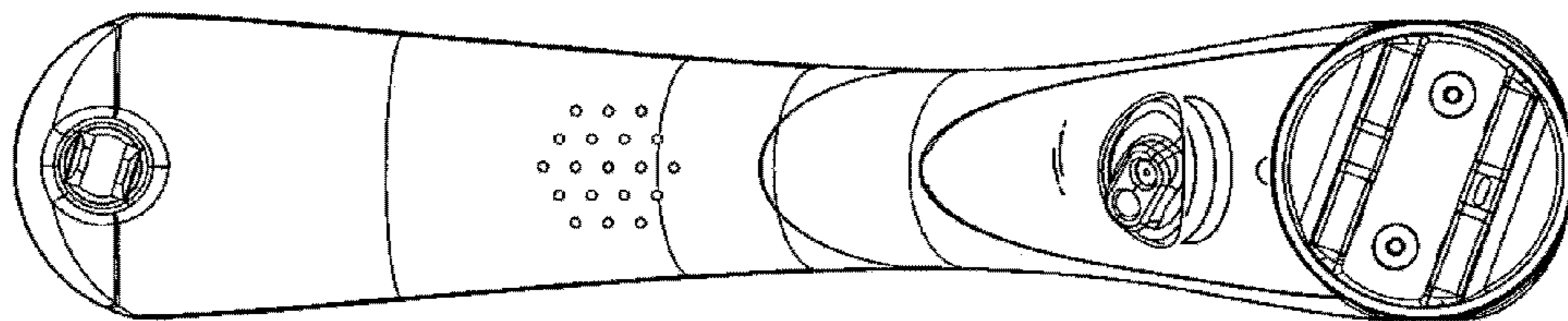


FIG. 7

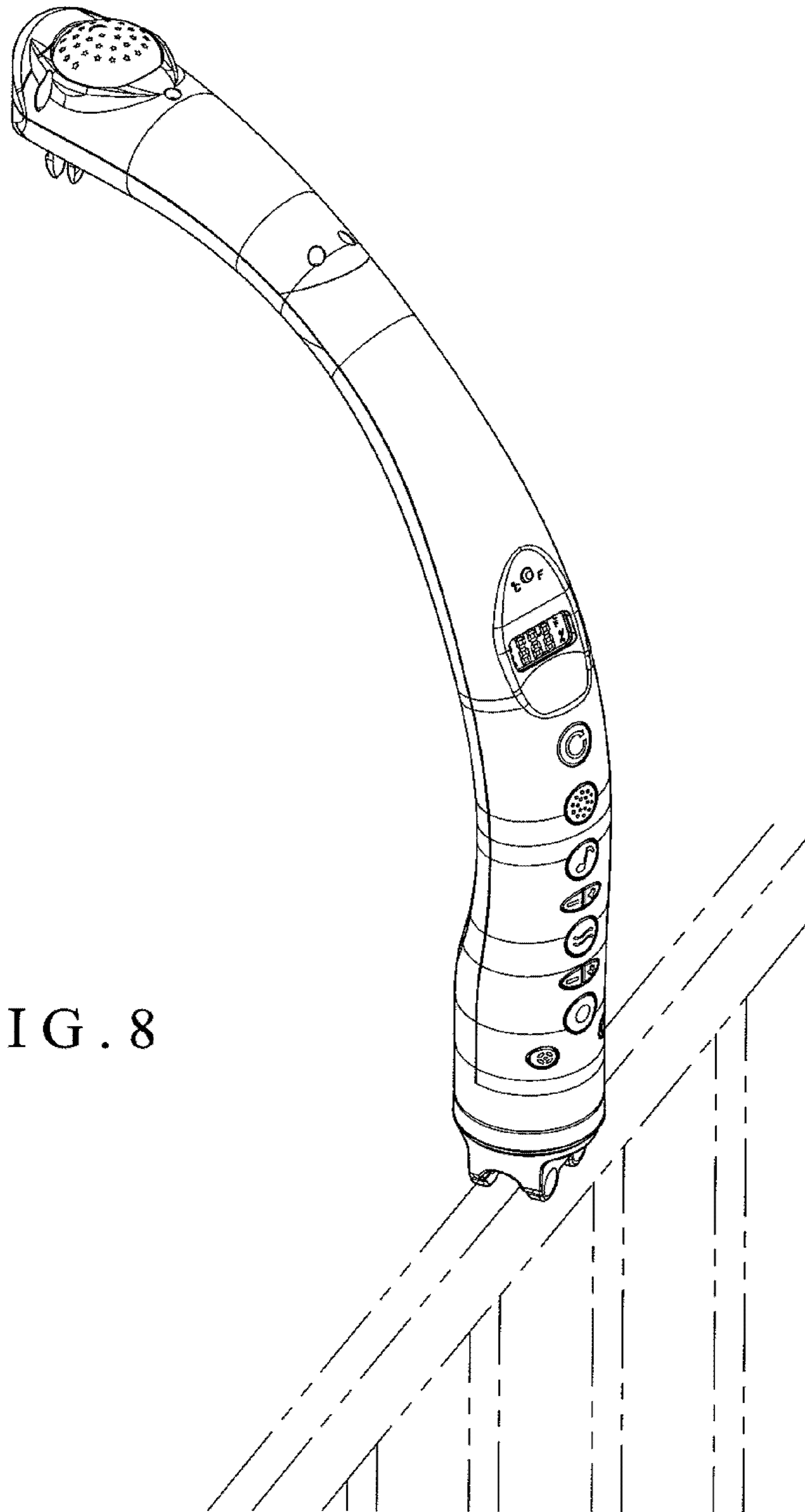


FIG. 8