



US00D744044S

(12) **United States Design Patent**
Yoon

(10) **Patent No.:** **US D744,044 S**
(45) **Date of Patent:** **** Nov. 24, 2015**

(54) **GAMING CONTROLLER ADAPTER**

(71) Applicant: **Skullcandy, Inc.**, Park City, UT (US)

(72) Inventor: **Daniel Yoon**, San Jose, CA (US)

(73) Assignee: **Skullcandy, Inc.**, Park City, UT (US)

(**) Term: **14 Years**

(21) Appl. No.: **29/504,464**

(22) Filed: **Oct. 6, 2014**

(51) **LOC (10) Cl.** **21-01**

(52) **U.S. Cl.**

USPC **D21/333**; D14/401

(58) **Field of Classification Search**

USPC D14/399-401, 412-416; D21/324, 333;
273/148 B; 463/1, 29-39, 46, 47;
345/156-161, 905

CPC A63F 13/02; A63F 13/00; A63F 11/00;
A63F 3/00; A63F 9/00; G06F 17/00; G06F
19/00; G06F 17/32; G06F 3/00

See application file for complete search history.

(56) **References Cited**

U.S. PATENT DOCUMENTS

D430,224 S * 8/2000 Tomita et al. D21/333
6,322,449 B1 * 11/2001 Klitsner et al. 463/37
6,647,248 B1 * 11/2003 Ortscheid et al. 455/575.1
6,735,309 B1 * 5/2004 Lemanski et al. 379/454
D531,476 S * 11/2006 Kokawa et al. D8/69

D541,806 S * 5/2007 Wada D14/418
D568,882 S * 5/2008 Ashida et al. D14/400
D599,352 S * 9/2009 Takamoto et al. D14/400
D666,681 S * 9/2012 Coulter D21/454
D714,872 S * 10/2014 Chung et al. D21/333
D728,030 S * 4/2015 Burgess et al. D21/333

* cited by examiner

Primary Examiner — Prabhakar Deshmukh

(74) *Attorney, Agent, or Firm* — TraskBritt, P.C.

(57) **CLAIM**

The ornamental design for a gaming controller adapter, as shown and described.

DESCRIPTION

FIG. 1 is a perspective view of an embodiment of a gaming controller adapter;

FIG. 2 is a front view of the gaming controller adapter shown in FIG. 1;

FIG. 3 is a back view of the gaming controller adapter shown in FIG. 1;

FIG. 4 is a left side view of the gaming controller adapter shown in FIG. 1;

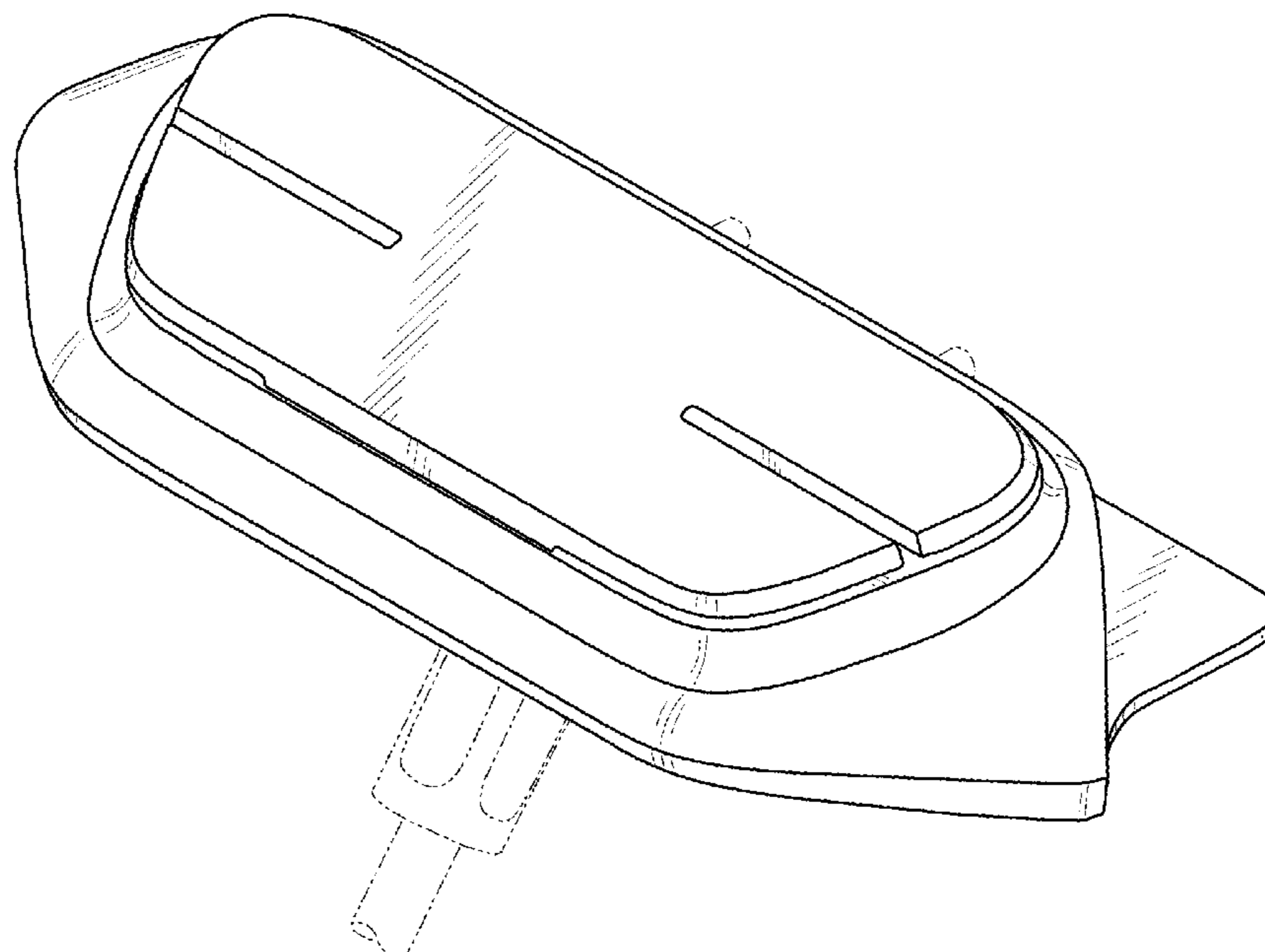
FIG. 5 is a right side view of the gaming controller adapter shown in FIG. 1;

FIG. 6 is a top view of the gaming controller adapter shown in FIG. 1; and,

FIG. 7 is a bottom view of the gaming controller adapter shown in FIG. 1.

The broken lines in FIGS. 1-7 are for environmental purposes only and do not form any part of the claimed design.

1 Claim, 4 Drawing Sheets



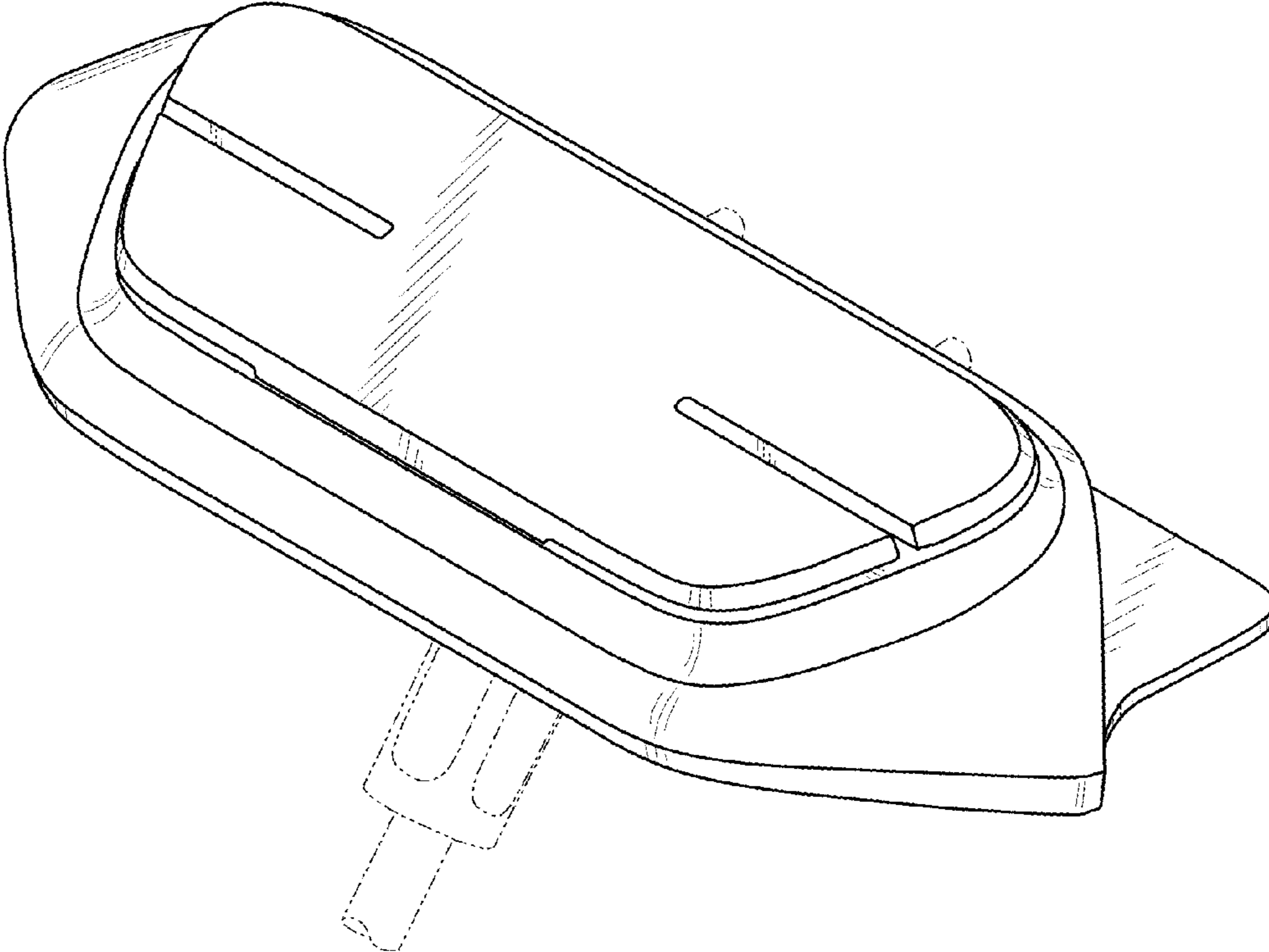


FIG. 1

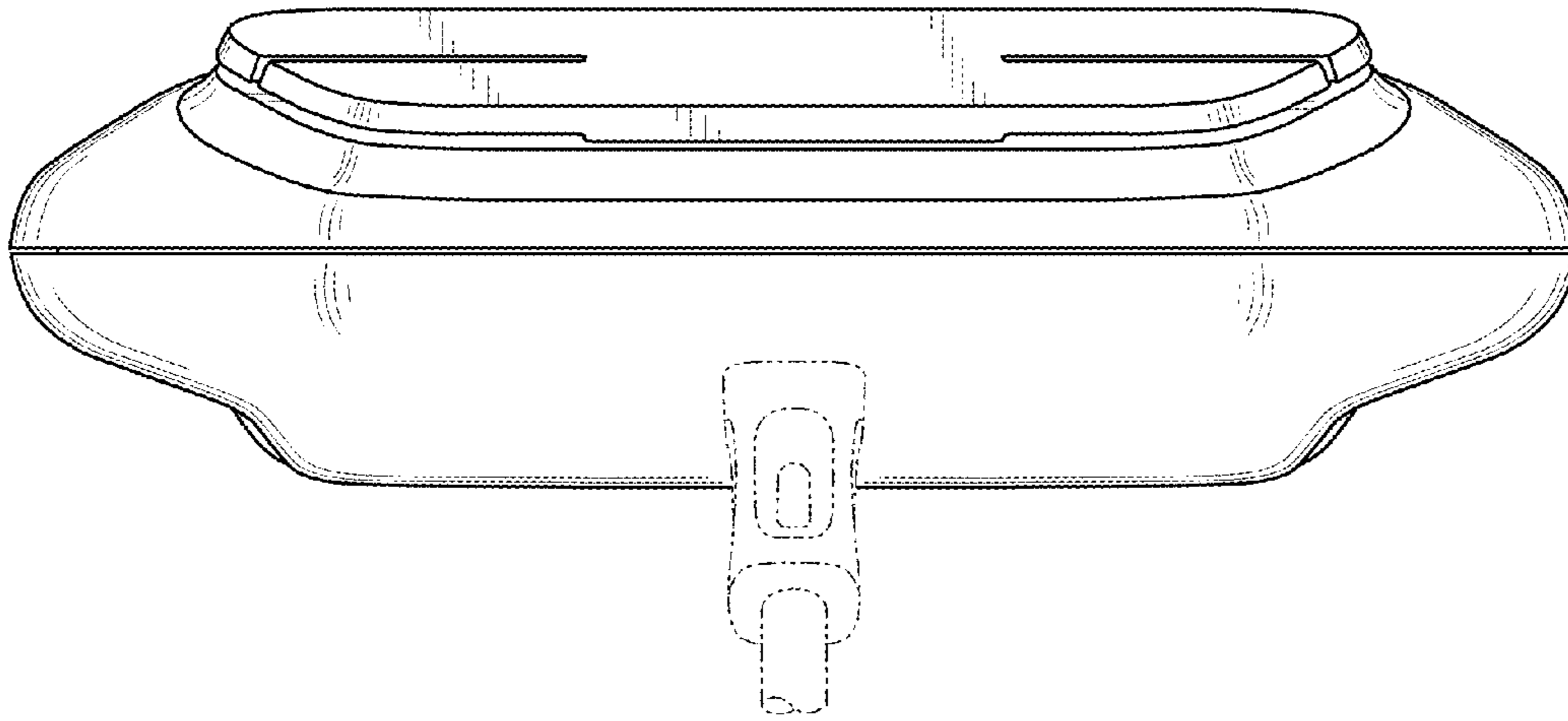


FIG. 2

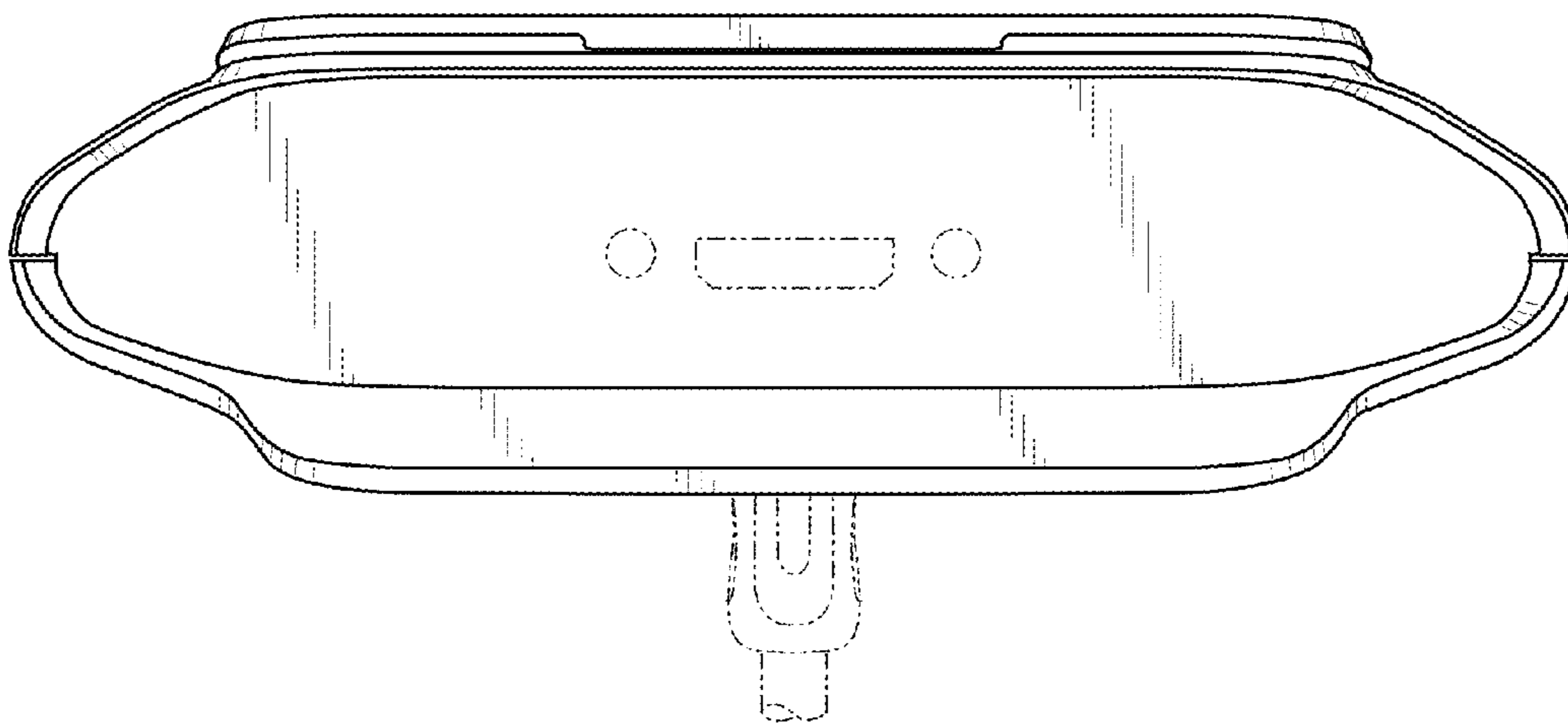


FIG. 3

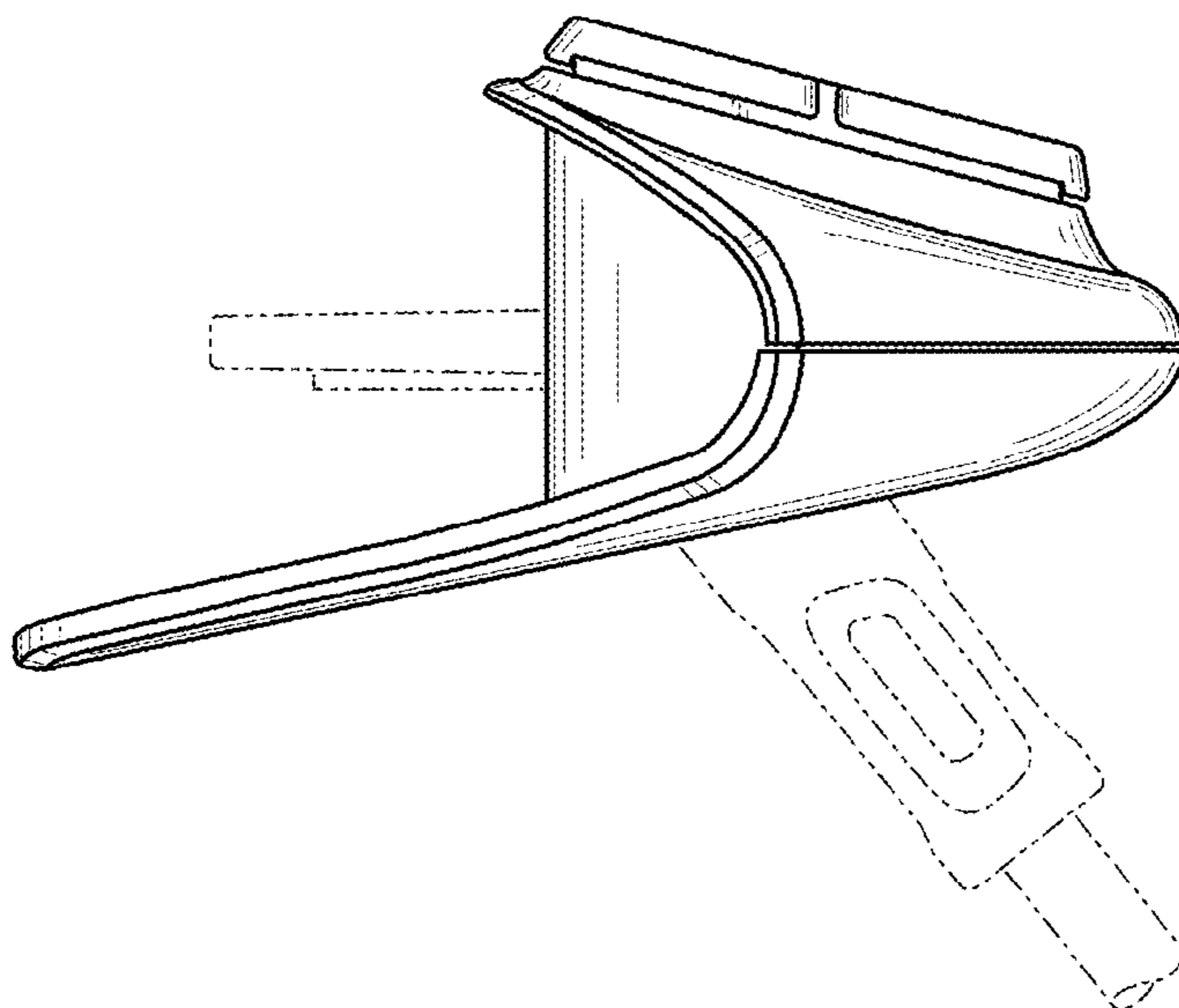


FIG. 4

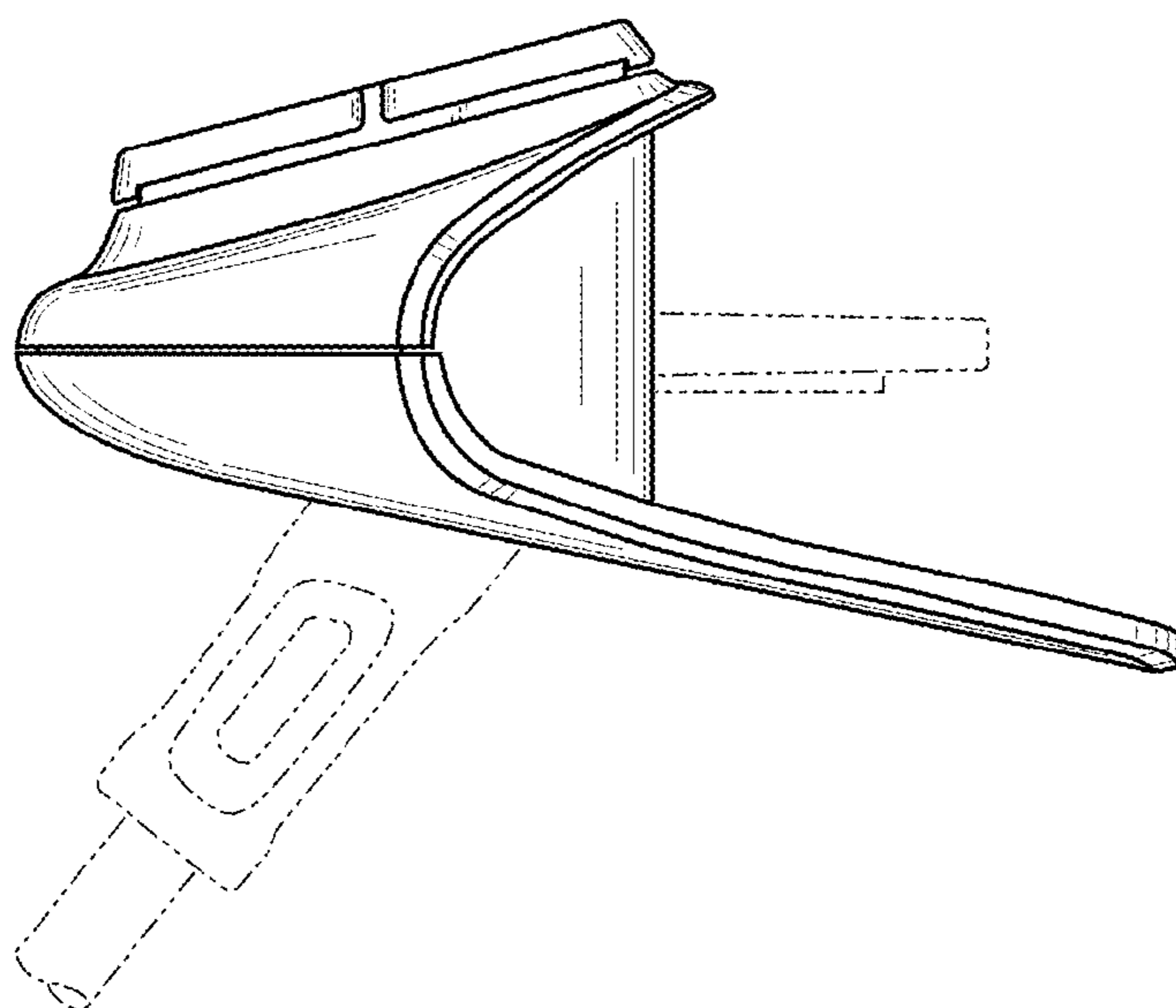


FIG. 5

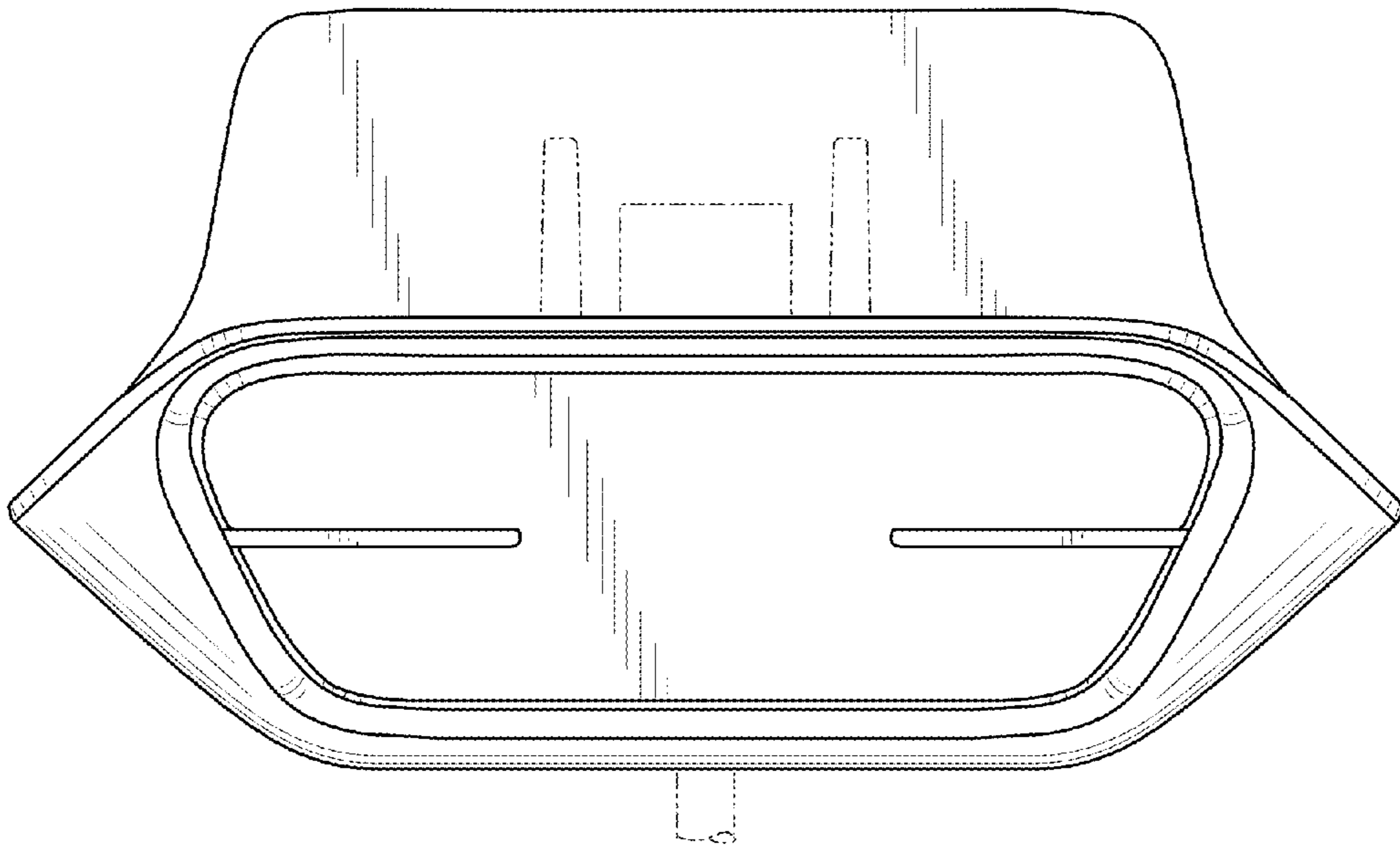


FIG. 6

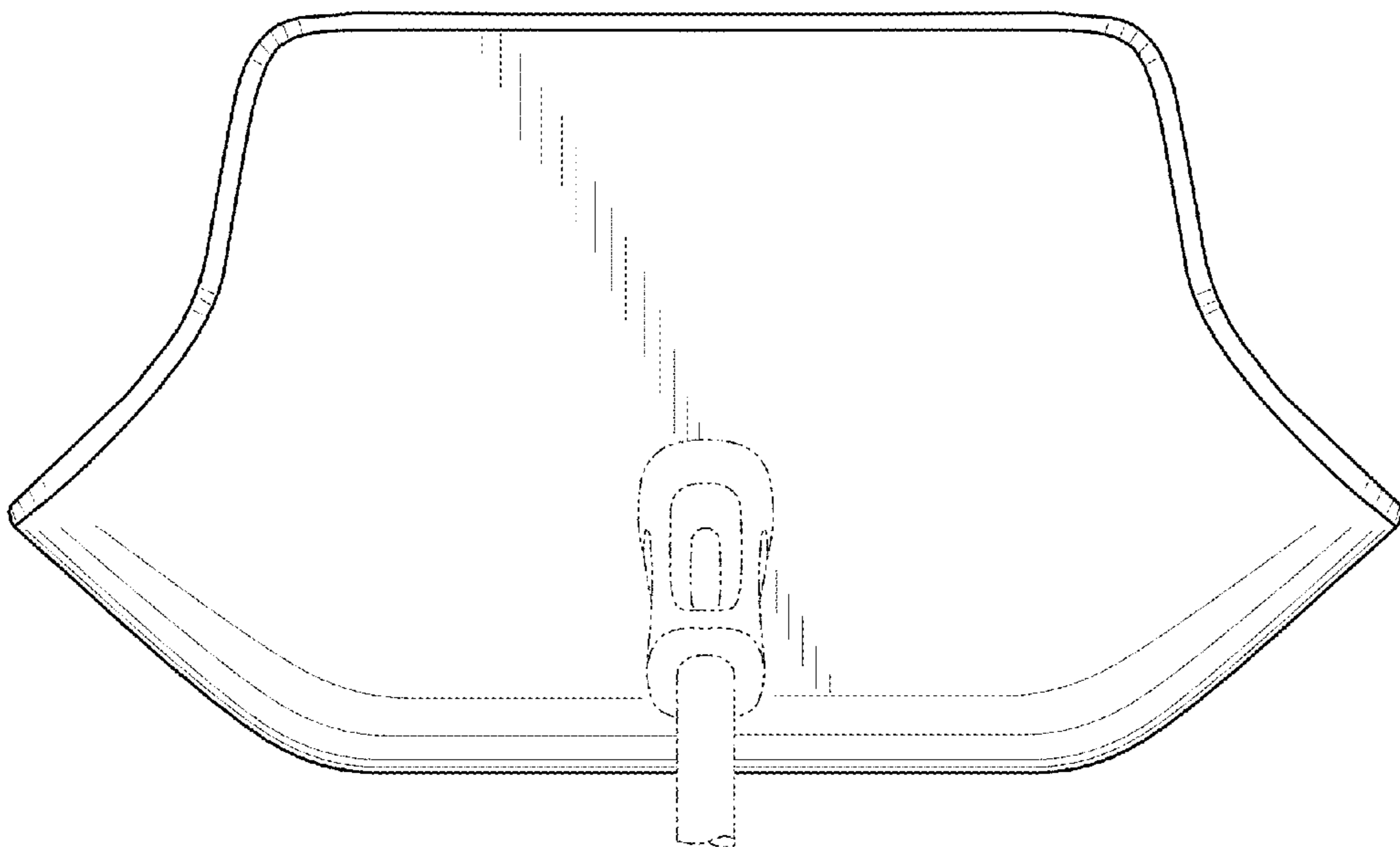


FIG. 7