



US00D744042S

(12) **United States Design Patent**  
**Kreindel**

(10) **Patent No.:** **US D744,042 S**

(45) **Date of Patent:** **\*\* Nov. 24, 2015**

(54) **SIGN COVER**

(71) Applicant: **Carol Kreindel**, Englewood, NJ (US)

(72) Inventor: **Carol Kreindel**, Englewood, NJ (US)

(\*\*) Term: **14 Years**

(21) Appl. No.: **29/455,369**

(22) Filed: **May 20, 2013**

(51) **LOC (10) Cl.** ..... **20-99**

(52) **U.S. Cl.**  
USPC ..... **D20/99; D6/610**

(58) **Field of Classification Search**  
USPC ..... D20/10, 19, 99; D6/610, 611, 616;  
D3/321; 150/154, 158, 164; 190/26  
CPC ..... A61G 5/10; A45C 13/00; B41J 29/13;  
G06F 1/181

See application file for complete search history.

(56) **References Cited**

**U.S. PATENT DOCUMENTS**

2,711,234	A	*	6/1955	Rubens	.....	190/26
D225,277	S	*	11/1972	Leigh	.....	D6/610
D316,483	S	*	4/1991	Haack	.....	D3/321
D340,580	S	*	10/1993	Hirschy	.....	D3/321

D504,256	S	*	4/2005	Ritossa et al.	.....	D6/610
D513,879	S	*	1/2006	Waples	.....	D3/321
D577,532	S	*	9/2008	Deeble	.....	D6/610
D587,508	S	*	3/2009	Knee	.....	D6/610
D641,195	S	*	7/2011	Delong	.....	D6/610

\* cited by examiner

*Primary Examiner* — Mary Ann Calabrese

(74) *Attorney, Agent, or Firm* — Michael J. Feigin, Esq.;  
Feigin & Associates, LLC

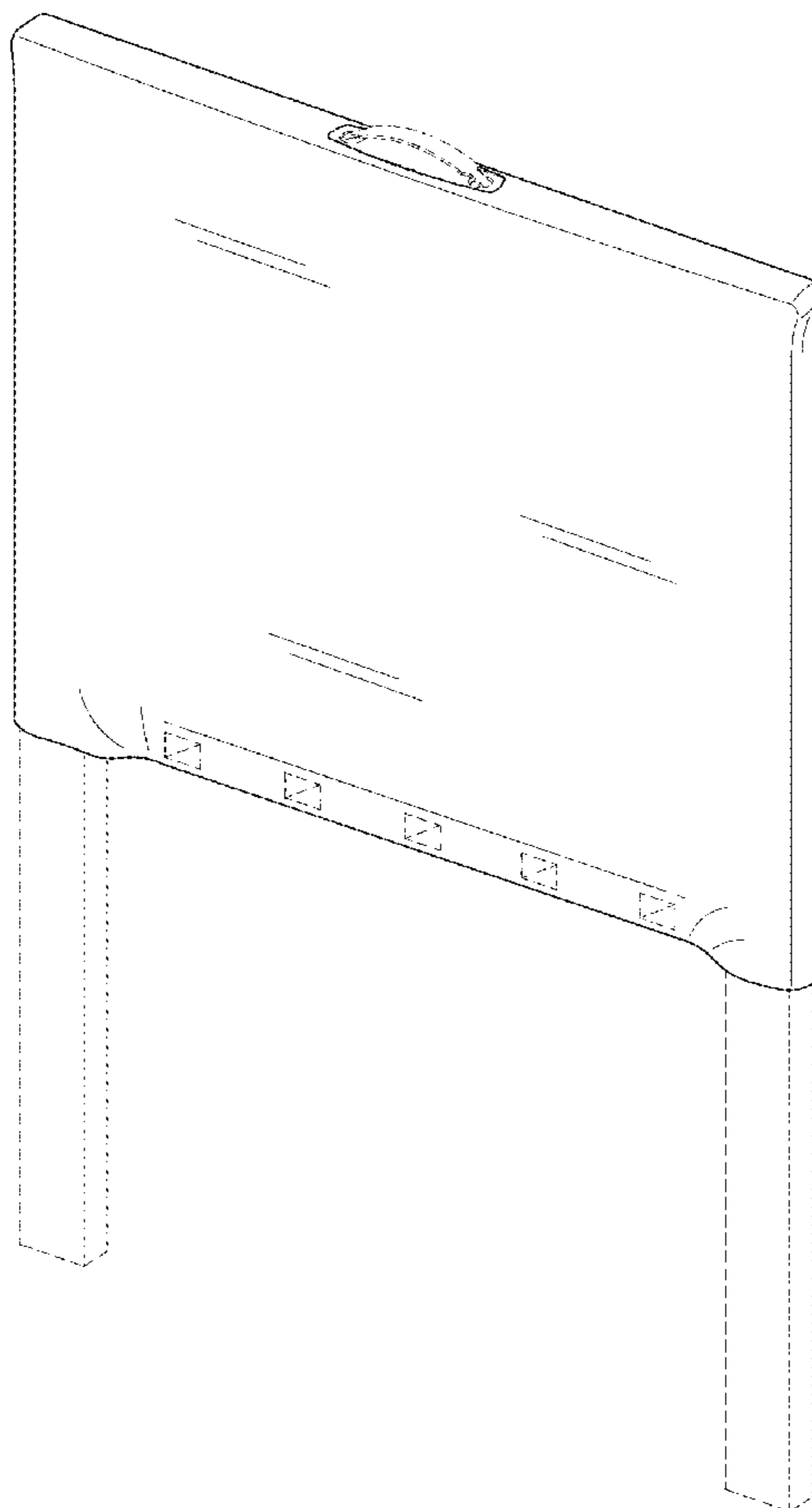
(57) **CLAIM**

The ornamental design for the sign cover, as shown and described.

**DESCRIPTION**

FIG. 1 shows a top perspective view of the sign cover.  
FIG. 2 shows a bottom perspective view of the sign cover.  
FIG. 3 shows a front elevation view of the sign cover, the back side being a mirror image thereof.  
FIG. 4 shows a left side elevation view of the sign cover, the right side being a mirror image thereof.  
FIG. 5 shows a top plan view of the sign cover; and,  
FIG. 6 shows a bottom plan view of the sign cover.  
The broken lines shown in the drawings illustrate environment, and form no part of the claimed design.

**1 Claim, 5 Drawing Sheets**



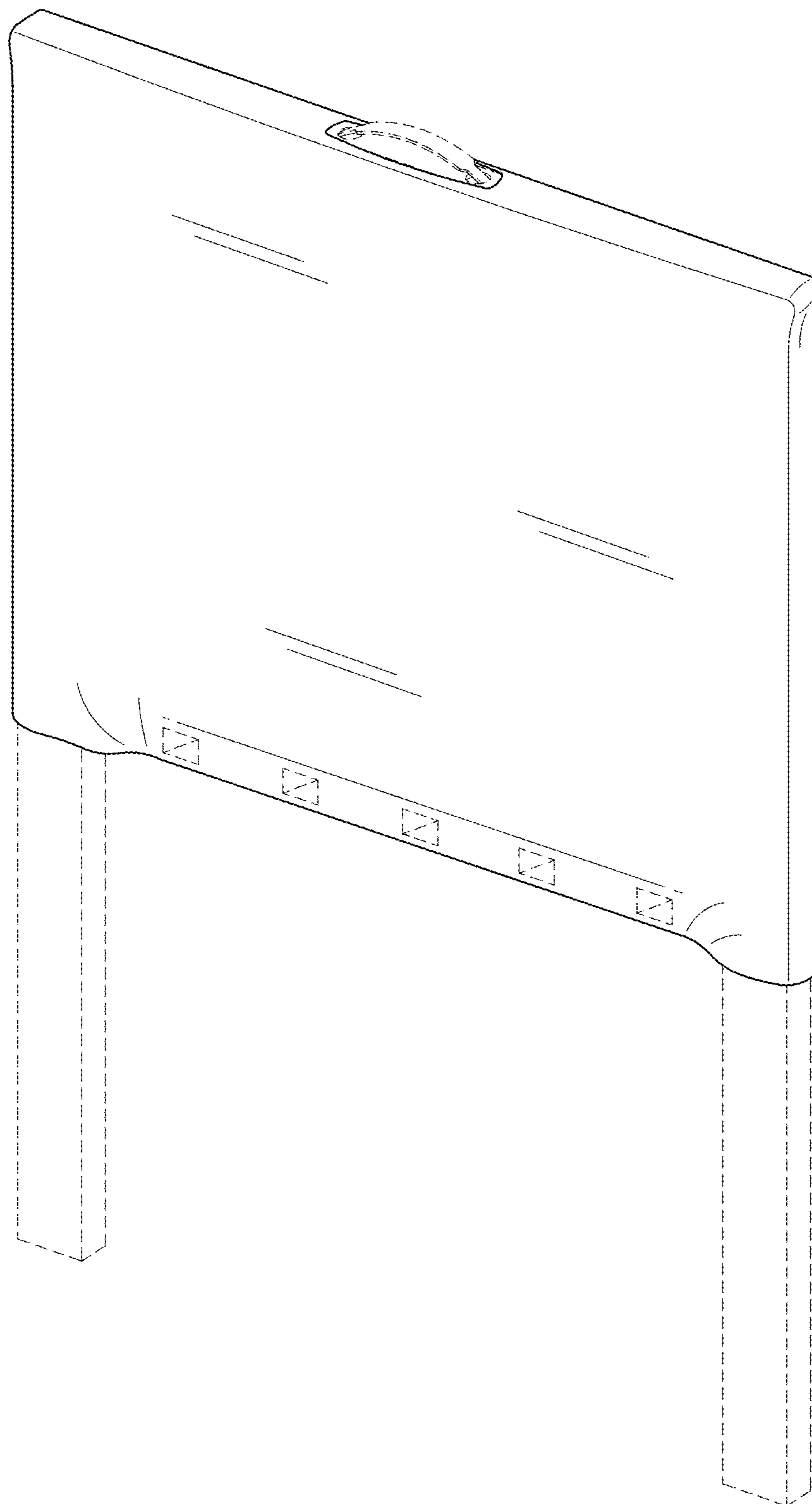


FIG. 1

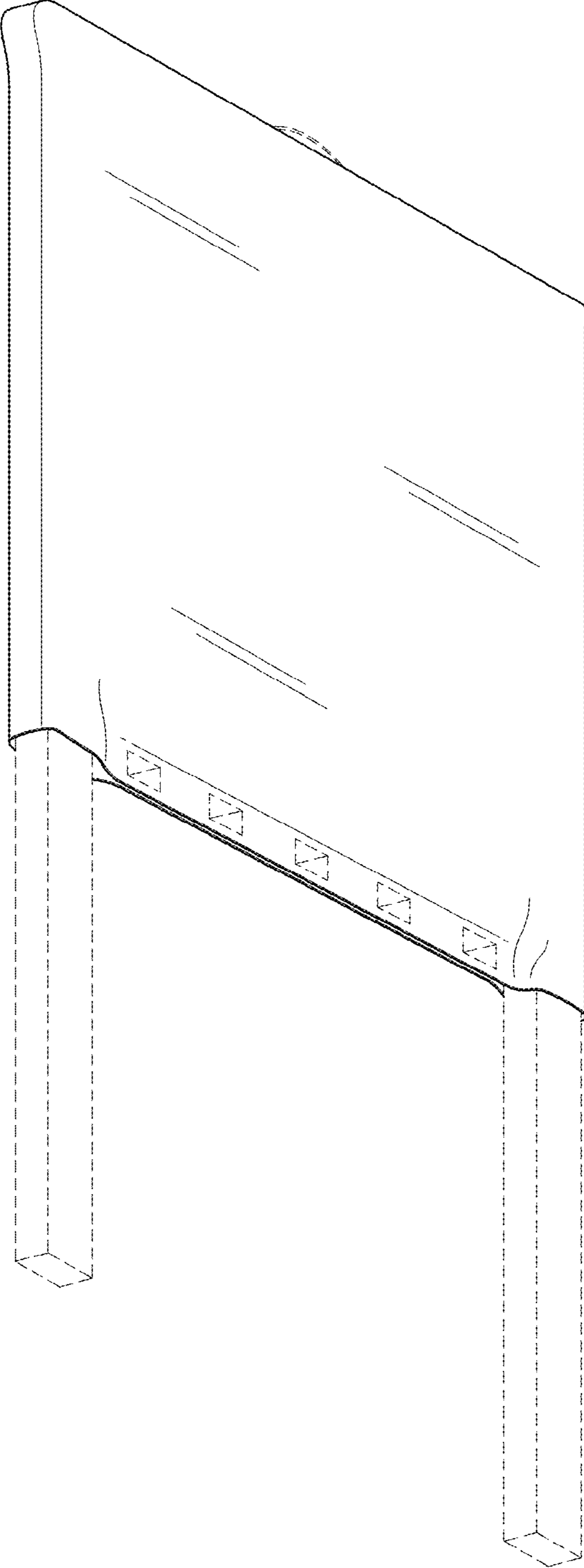


FIG. 2

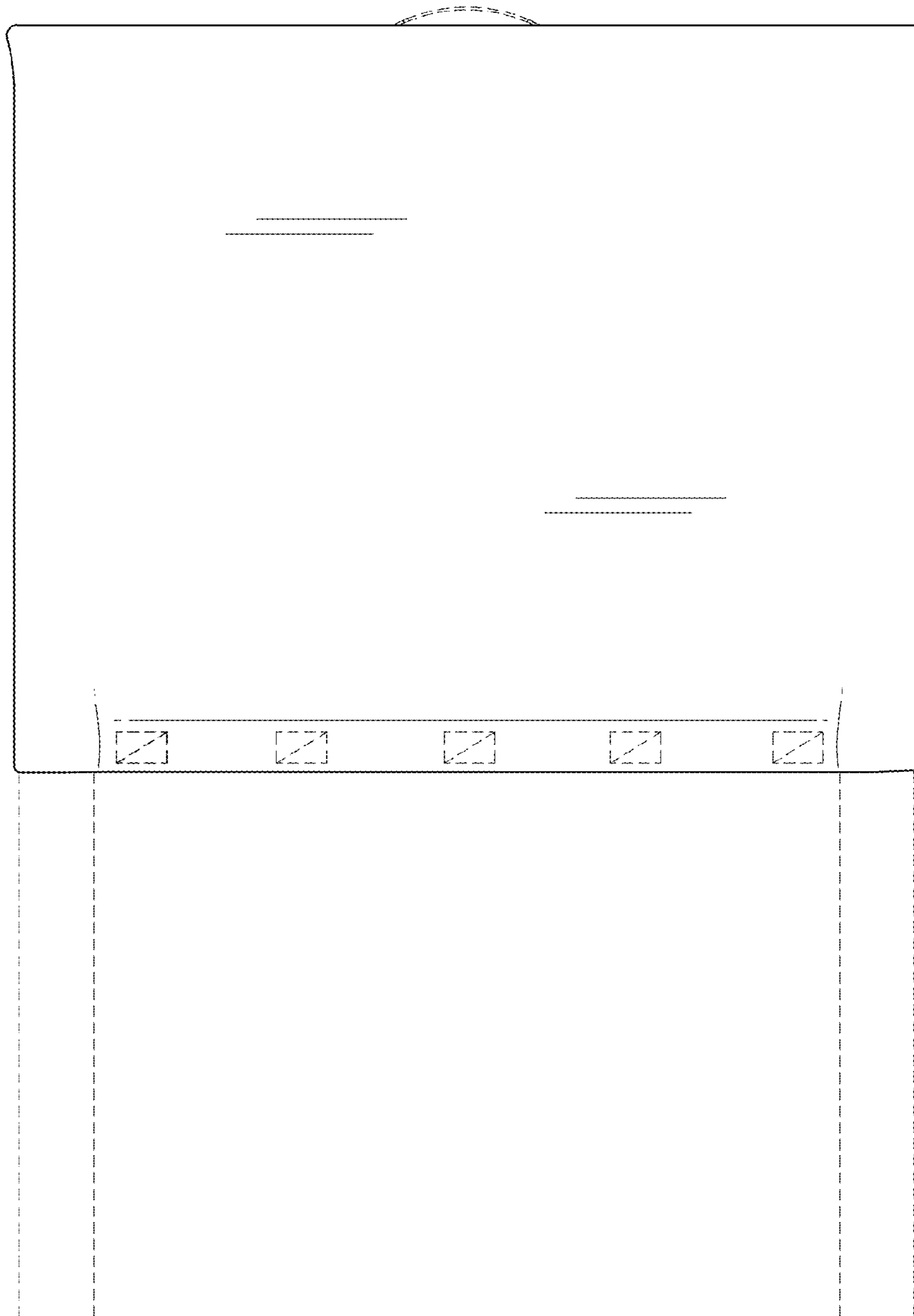


FIG. 3

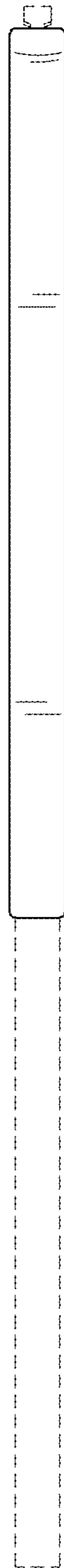


FIG. 4



FIG. 5

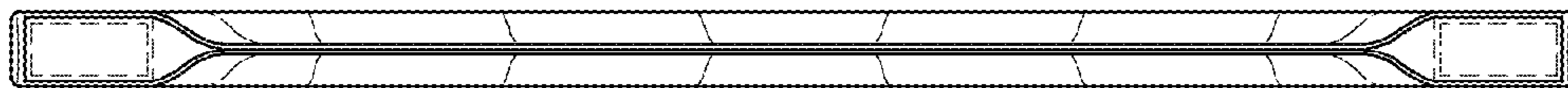


FIG. 6