



US00D744040S

(12) **United States Design Patent**  
**Schloss**

(10) **Patent No.:** **US D744,040 S**

(45) **Date of Patent:** **\*\* Nov. 24, 2015**

- (54) **EDGE LIT MAGNETIC SIGN**
- (71) Applicant: **Ben Schloss**, Belmont, CA (US)
- (72) Inventor: **Ben Schloss**, Belmont, CA (US)
- (\*\*) Term: **14 Years**
- (21) Appl. No.: **29/509,063**
- (22) Filed: **Nov. 13, 2014**

3,418,740 A	12/1968	Gray	
3,982,344 A	9/1976	Phillips	
4,507,888 A	4/1985	Robinson et al.	
D308,543 S *	6/1990	Hunter	D20/10
5,027,258 A	6/1991	Schoniger et al.	
5,433,024 A	7/1995	Lerner	
5,636,914 A	6/1997	Trusiani	
5,755,180 A	5/1998	Smith	
5,918,397 A	7/1999	Elmer	

(Continued)

*Primary Examiner* — Mary Ann Calabrese  
(74) *Attorney, Agent, or Firm* — James R. Cypher; Charles R. Cypher

**Related U.S. Application Data**

- (63) Continuation of application No. 13/585,687, filed on Aug. 14, 2012.
- (51) **LOC (10) Cl.** ..... **20-03**
- (52) **U.S. Cl.**  
USPC ..... **D20/10**
- (58) **Field of Classification Search**  
USPC ..... D20/10, 17, 19, 29, 39–42, 99;  
D10/109.1, 109.2, 113.4  
CPC ..... G09F 7/00; G09F 7/02; G09F 7/06;  
G09F 7/08; G09F 7/18; G09F 9/00; G09F  
13/00; G09F 13/02; G09F 13/04; G09F 13/18;  
G09F 15/00; G09F 15/0012; G09F 15/0037;  
G09F 15/02; G09F 2007/1821; G09F  
2007/1834; G09F 2013/0431; G09F  
2013/0495; G02B 6/0071  
See application file for complete search history.

(57) **CLAIM**  
The ornamental design for an edge lit magnetic sign, as shown and described.

**DESCRIPTION**

FIG. 1 is an upper right, front perspective view of the edge lit magnetic sign showing my new design.

FIG. 2 is a front elevation view of the edge lit magnetic sign of FIG. 1.

FIG. 3 is a left side elevation view of the edge lit magnetic sign shown in FIG. 1. The right side elevation view of the edge lit magnetic sign is the same.

FIG. 4 is a back elevation view of the edge lit magnetic sign showing my new design.

FIG. 5 is a top plan view of the edge lit magnetic sign of FIG. 1; and,

FIG. 6 is a bottom plan view of the edge lit magnetic sign showing my new design.

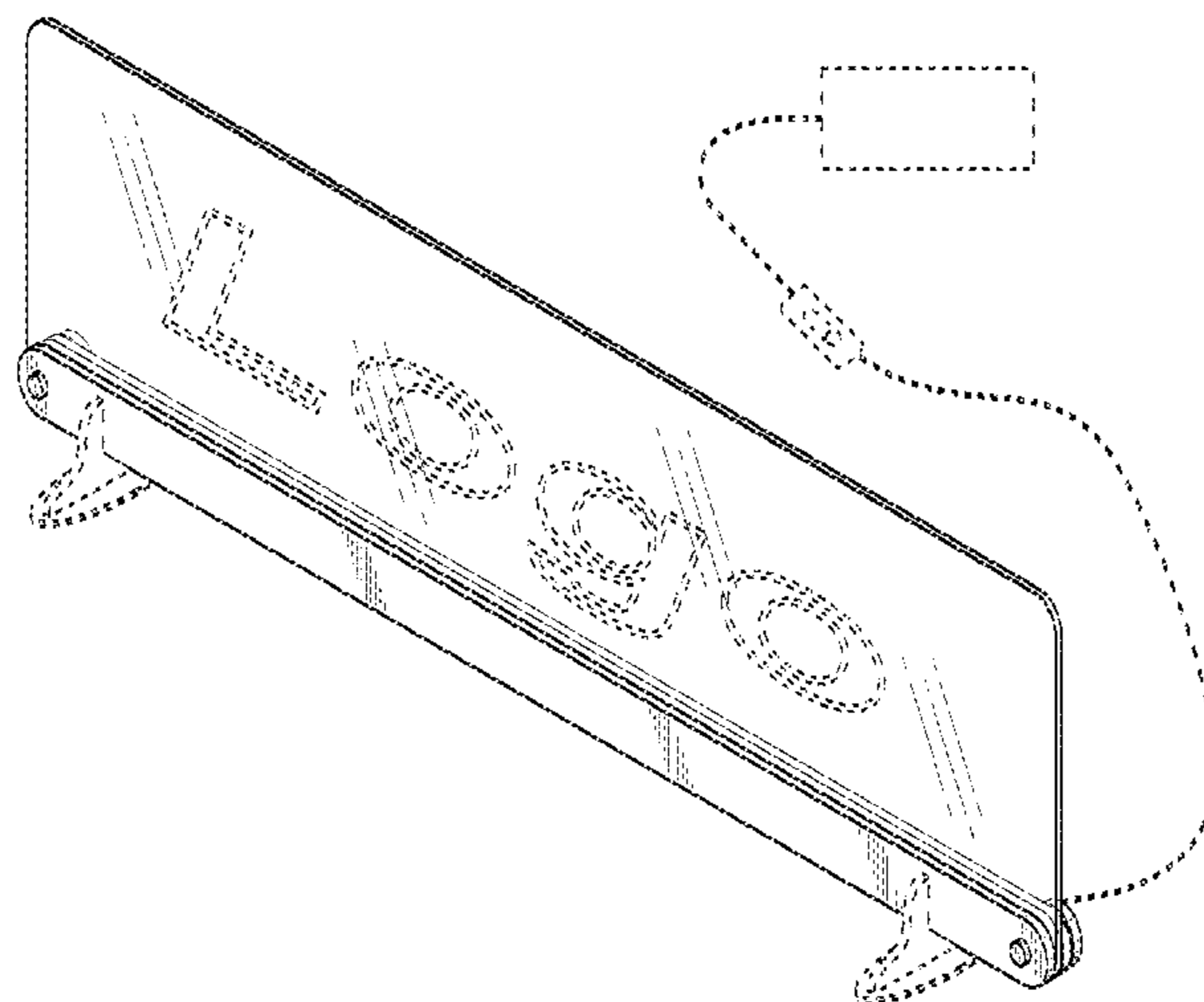
The electrical wiring, switch and power supply for the edge lit magnetic sign are shown in broken lines in FIG. 1 for environmental purposes only and form no part of claimed design. Stands for the edge lit magnetic sign are shown in FIGS. 1, 2, 3 and 5 in broken lines for environmental purposes only and form no part of the claimed design. The word logo shown in FIGS. 1, 2 and 4 in broken lines are for environmental purposes only and form no part of the claimed design.

**1 Claim, 3 Drawing Sheets**

(56) **References Cited**

**U.S. PATENT DOCUMENTS**

1,414,682 A	5/1922	Zautner	
D111,584 S *	10/1938	Kay	D20/10
D116,605 S *	9/1939	Houle	D20/10
D134,871 S *	1/1943	Van Schuck	D20/10
D138,976 S *	10/1944	Hammer	D20/10
D152,497 S *	1/1949	Price et al.	D20/10
2,540,221 A *	2/1951	Ten Hoeve et al.	40/661
2,564,110 A *	8/1951	Smith et al.	40/546
3,372,503 A	3/1968	Weeks	



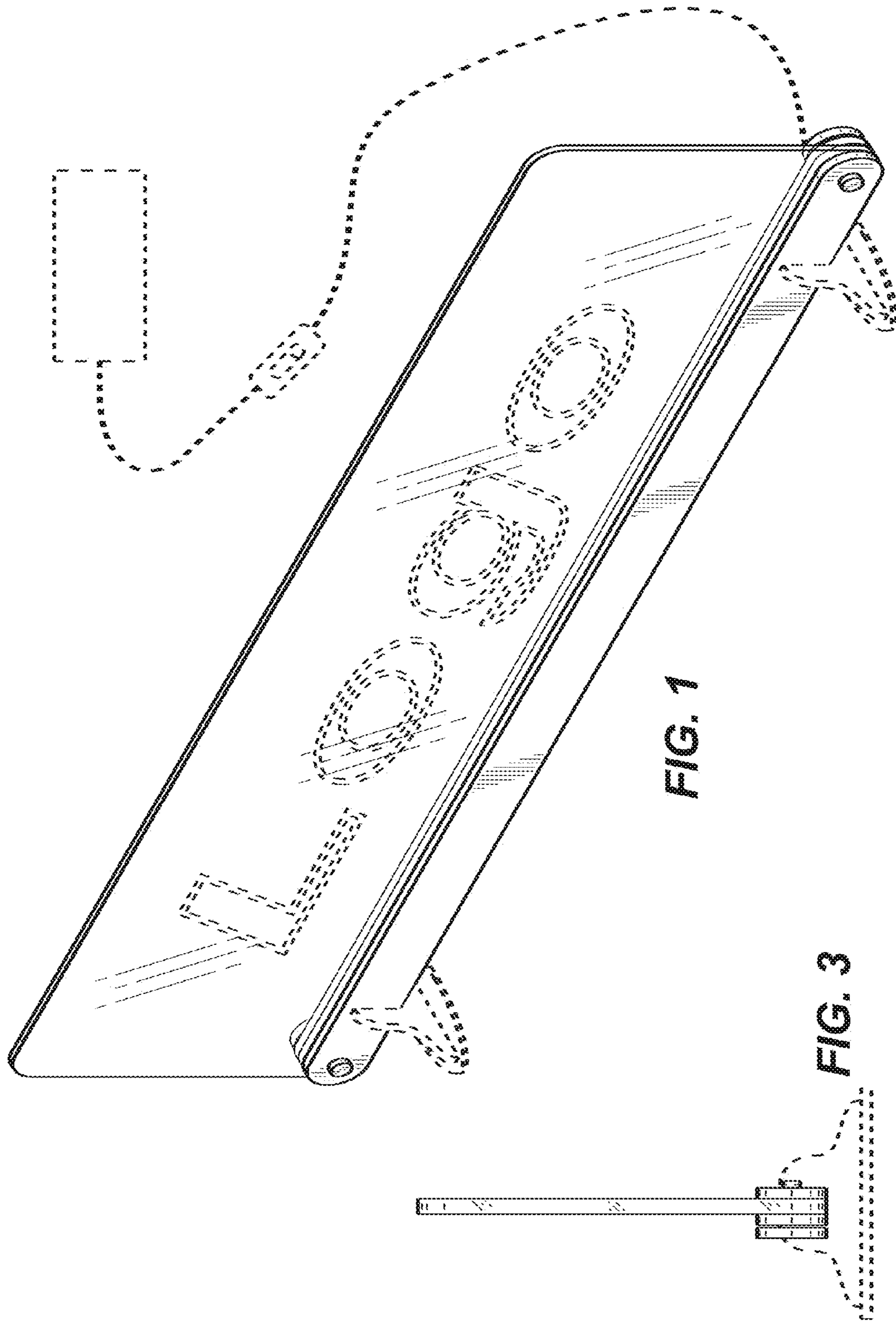
(56)

**References Cited**

U.S. PATENT DOCUMENTS

6,094,849	A	8/2000	Phillips et al.	7,905,038	B2	3/2011	Coff	
6,308,444	B1	10/2001	Ki	8,205,369	B2	6/2012	Pemberton	
6,341,440	B1	1/2002	Lee	8,234,804	B1*	8/2012	Rush .....	40/546
6,471,388	B1	10/2002	Marsh	2002/0073584	A1	6/2002	Huddy	
6,481,130	B1	11/2002	Wu	2005/0016045	A1	1/2005	Lasher	
6,481,131	B2	11/2002	Gianotti et al.	2005/0044767	A1	3/2005	Lasher	
6,705,033	B1	3/2004	Greene et al.	2006/0086025	A1	4/2006	Benedict et al.	
7,024,809	B1	4/2006	Poma	2007/0204500	A1	9/2007	Splitgerber	
7,681,347	B1	3/2010	Welker et al.	2008/0104872	A1	5/2008	Mertz	
				2011/0088298	A1	4/2011	Pemberton	
				2011/0138664	A1	6/2011	Wells	
				2014/0290104	A1*	10/2014	Lindblom et al. ....	40/559

\* cited by examiner



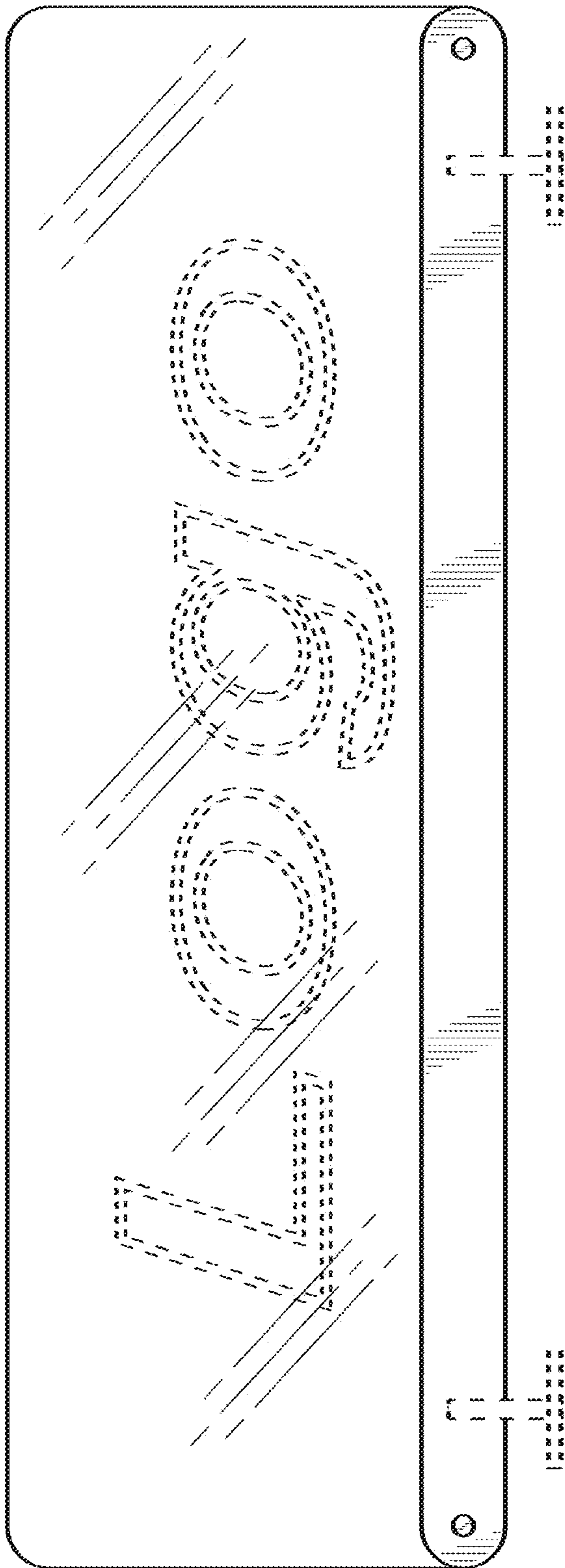


FIG. 2

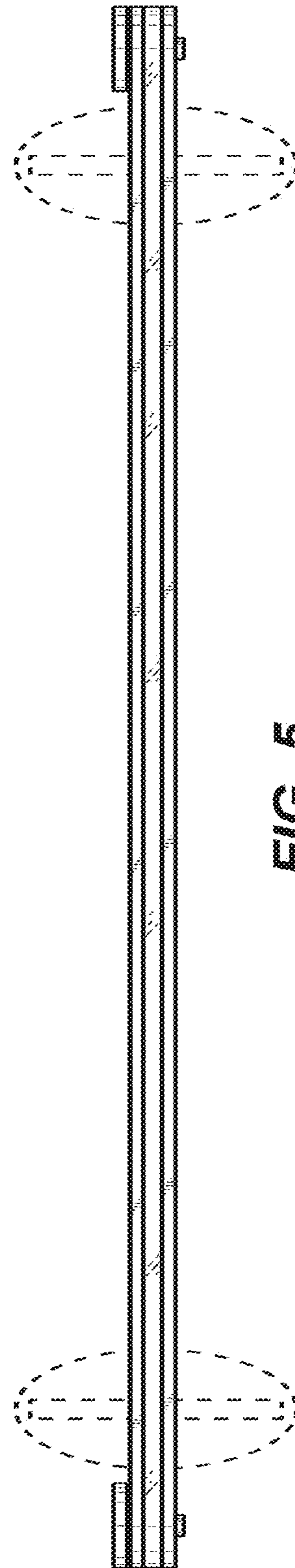


FIG. 5

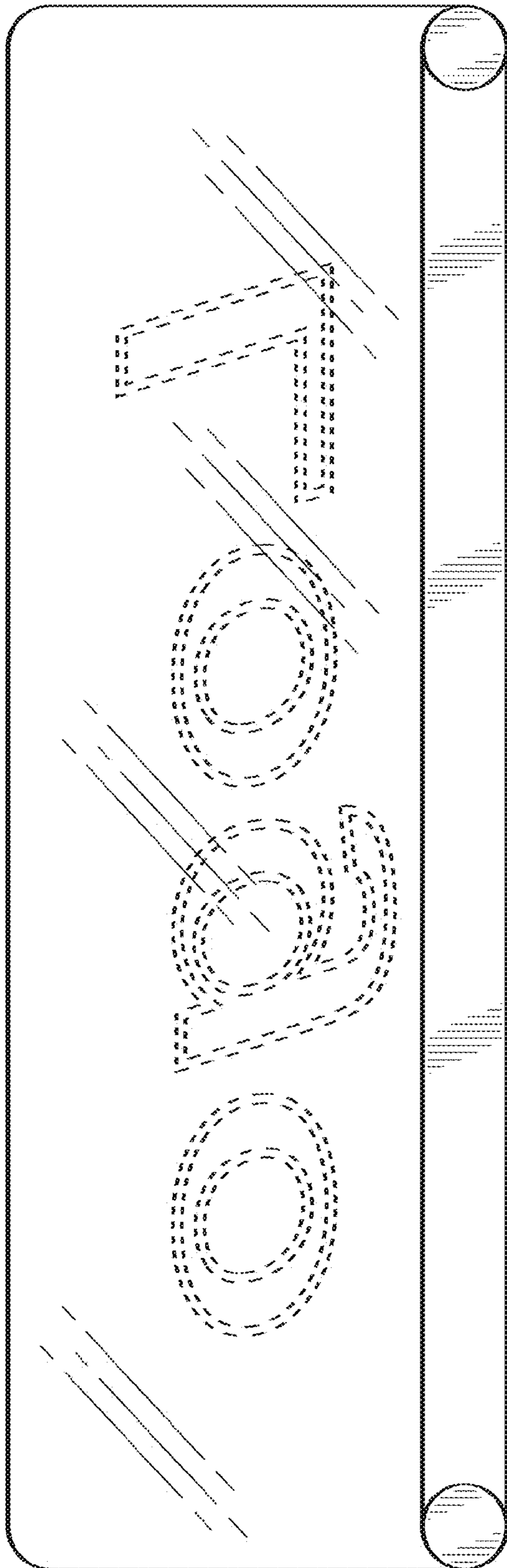


FIG. 4

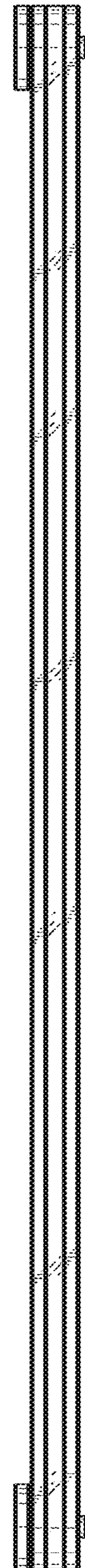


FIG. 6