



US00D744037S

(12) **United States Design Patent**
Matsumura

(10) **Patent No.:** **US D744,037 S**

(45) **Date of Patent:** **** Nov. 24, 2015**

(54) **MARKING PEN**

(71) Applicant: **KABUSHIKI KAISHA PILOT CORPORATION**, Chuo-ku, Tokyo (JP)

(72) Inventor: **Naomi Matsumura**, Tokyo (JP)

(73) Assignee: **KABUSHIKI KAISHA PILOT CORPORATION**, Tokyo (JP)

(**) Term: **14 Years**

(21) Appl. No.: **29/502,530**

(22) Filed: **Sep. 17, 2014**

(30) **Foreign Application Priority Data**

Mar. 28, 2014 (JP) 2014-006864

(51) **LOC (10) Cl.** **19-06**

(52) **U.S. Cl.**
USPC **D19/163**; D19/901; D19/923

(58) **Field of Classification Search**
USPC D14/411; D19/115–204
CPC B43K 5/005; B43K 7/00; B43K 7/10;
B43K 7/12; B43K 8/04; B43K 19/00; B43K
19/14; B43K 23/00; B43K 23/001; B43K
23/016; B43K 24/08; B43K 24/084
See application file for complete search history.

(56) **References Cited**

U.S. PATENT DOCUMENTS

D287,141 S * 12/1986 Regnault D19/163
D301,252 S * 5/1989 Ohashi D19/163
D304,840 S * 11/1989 Mizutani D19/163
D477,362 S * 7/2003 Belton D19/163
D497,949 S * 11/2004 Furlong D19/165
D534,211 S * 12/2006 Kent D19/163
D545,364 S * 6/2007 Ternovits D19/163
D545,899 S * 7/2007 Okutani D19/163
D559,312 S 1/2008 Yagyu
D566,762 S * 4/2008 Qiu D19/163
D605,697 S * 12/2009 Liu D19/163

D608,827 S * 1/2010 Hung D19/163
D619,650 S * 7/2010 Shi D19/117
D669,124 S * 10/2012 Jiang D19/163

* cited by examiner

Primary Examiner — Elizabeth Albert

(74) *Attorney, Agent, or Firm* — Sughrue Mion, PLLC

(57) **CLAIM**

The ornamental design for a marking pen, as shown and described.

DESCRIPTION

FIG. 1 is a perspective view of a marking pen showing my new design;

FIG. 2 is a front view thereof;

FIG. 3 is a rear view thereof;

FIG. 4 is a left side view thereof;

FIG. 5 is a right side view thereof;

FIG. 6 is a top view thereof;

FIG. 7 is a bottom view thereof;

FIG. 8 is a front view of a cap of the marking pen shown in FIG. 1, with a main body removed for convenience of illustration;

FIG. 9 is a rear view thereof;

FIG. 10 is a left side view thereof;

FIG. 11 is a right side view thereof;

FIG. 12 is a top view thereof;

FIG. 13 is a bottom view thereof;

FIG. 14 is a front view of the main body of the marking pen shown in FIG. 1, with the cap removed for convenience of illustration;

FIG. 15 is a rear view thereof;

FIG. 16 is a left side view thereof;

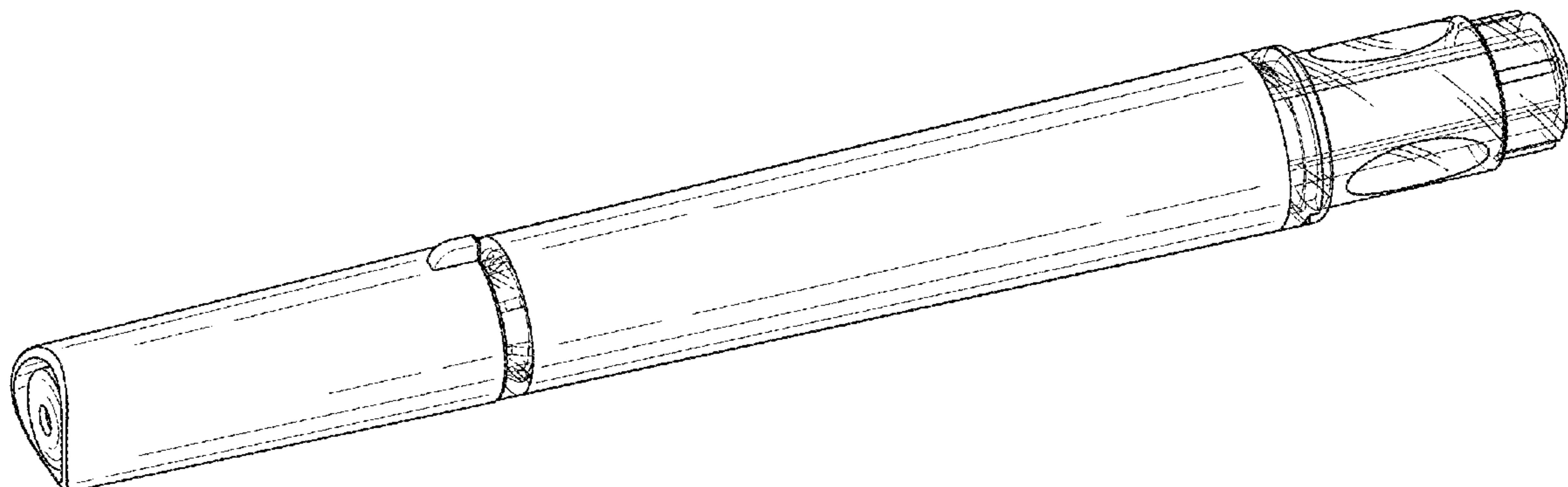
FIG. 17 is a right side view thereof;

FIG. 18 is a top view thereof; and,

FIG. 19 is a bottom view thereof.

The broken lines shown are included to show unclaimed subject matter only and form no part of the claimed design.

1 Claim, 6 Drawing Sheets



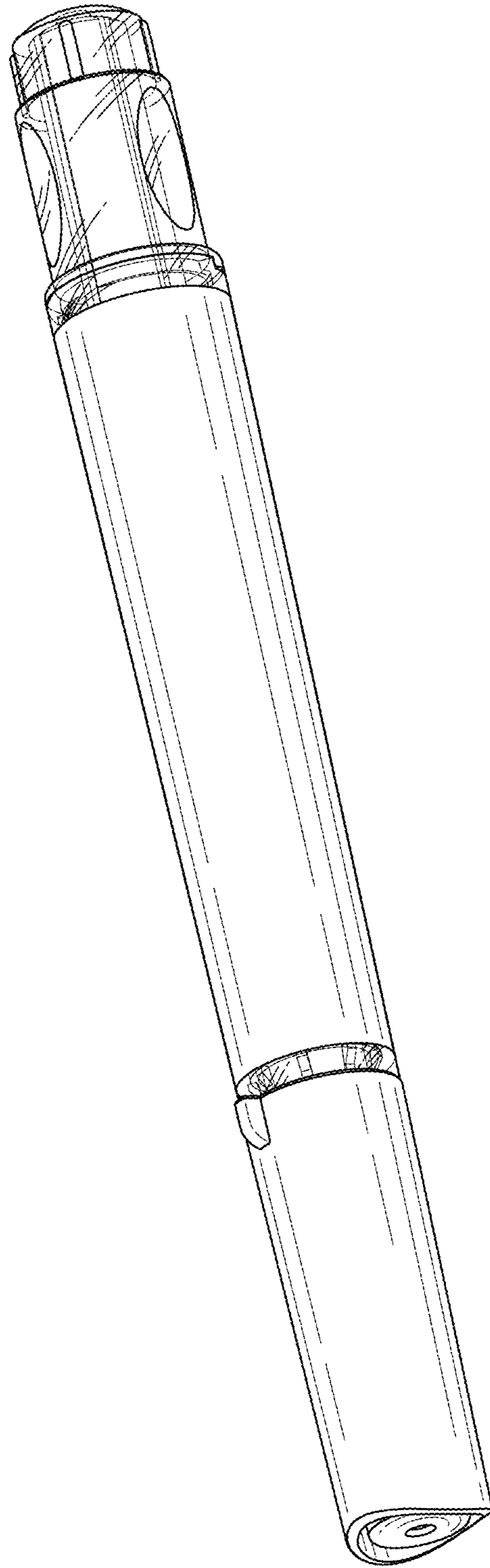


FIG. 1

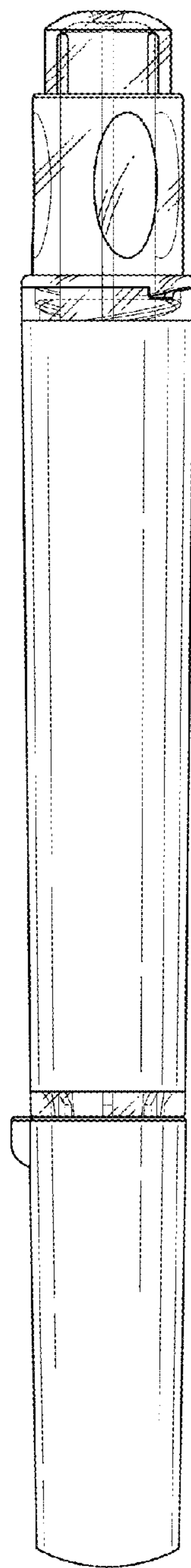


FIG. 2

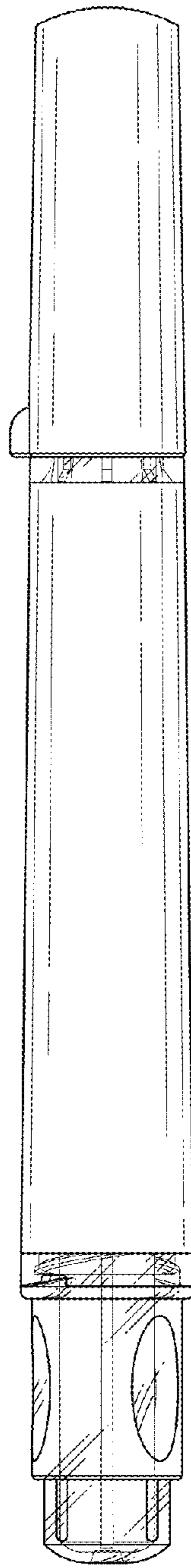


FIG. 3

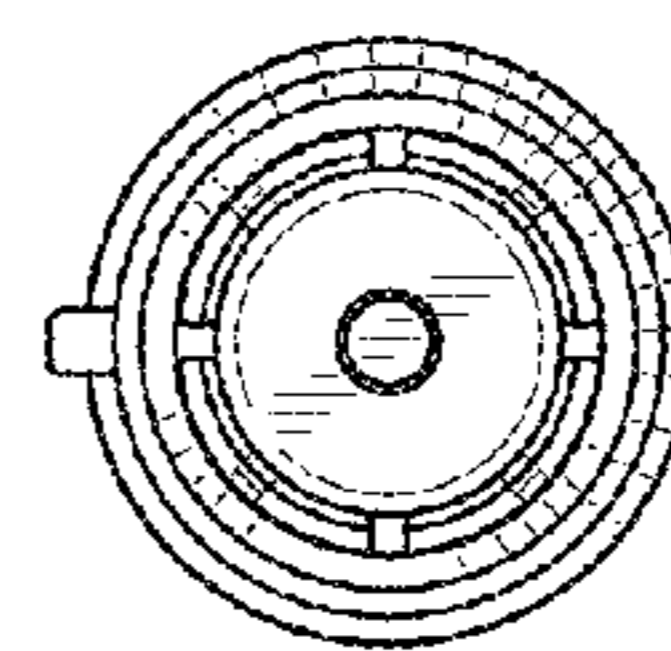


FIG. 4

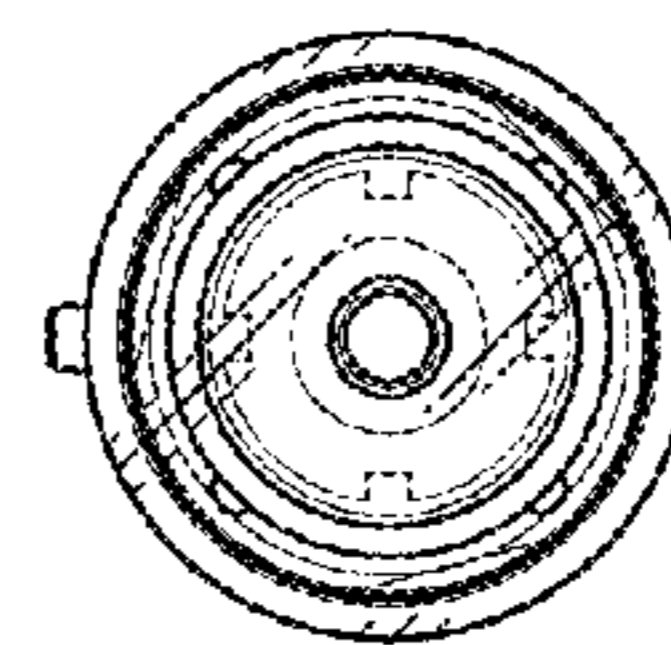


FIG. 5

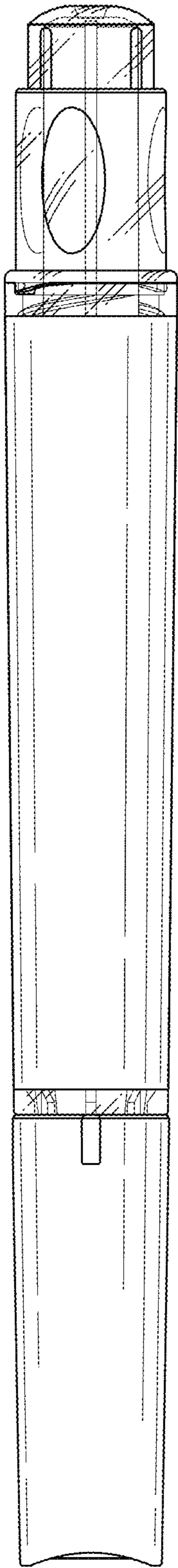


FIG. 6

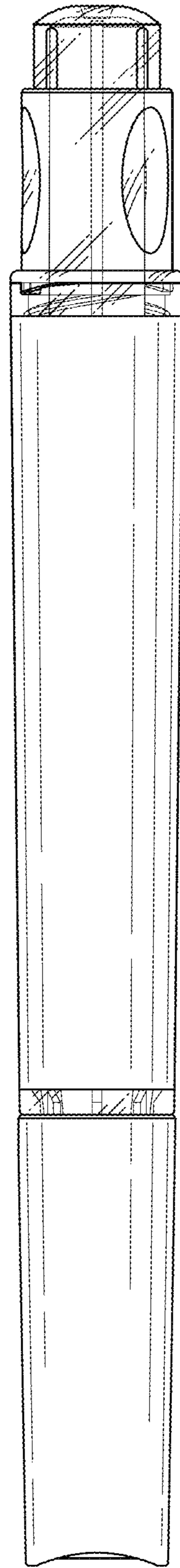


FIG. 7

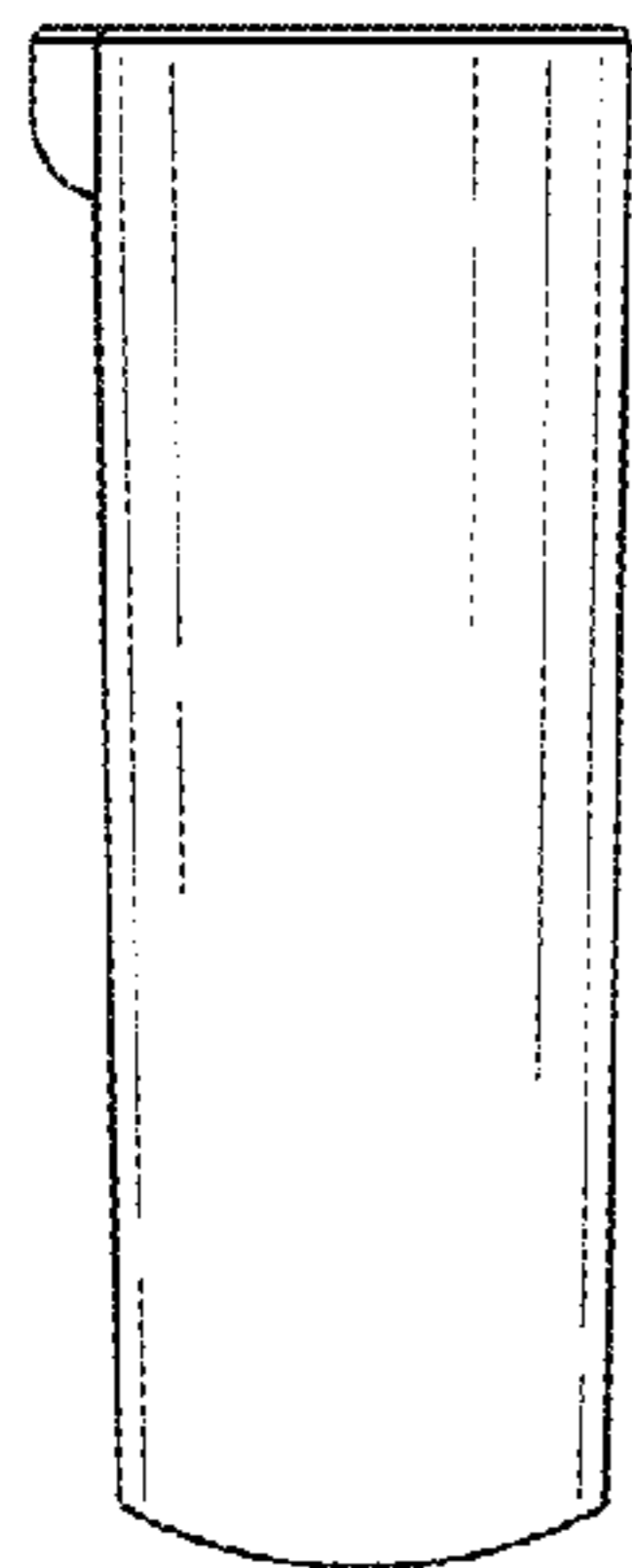


FIG. 8

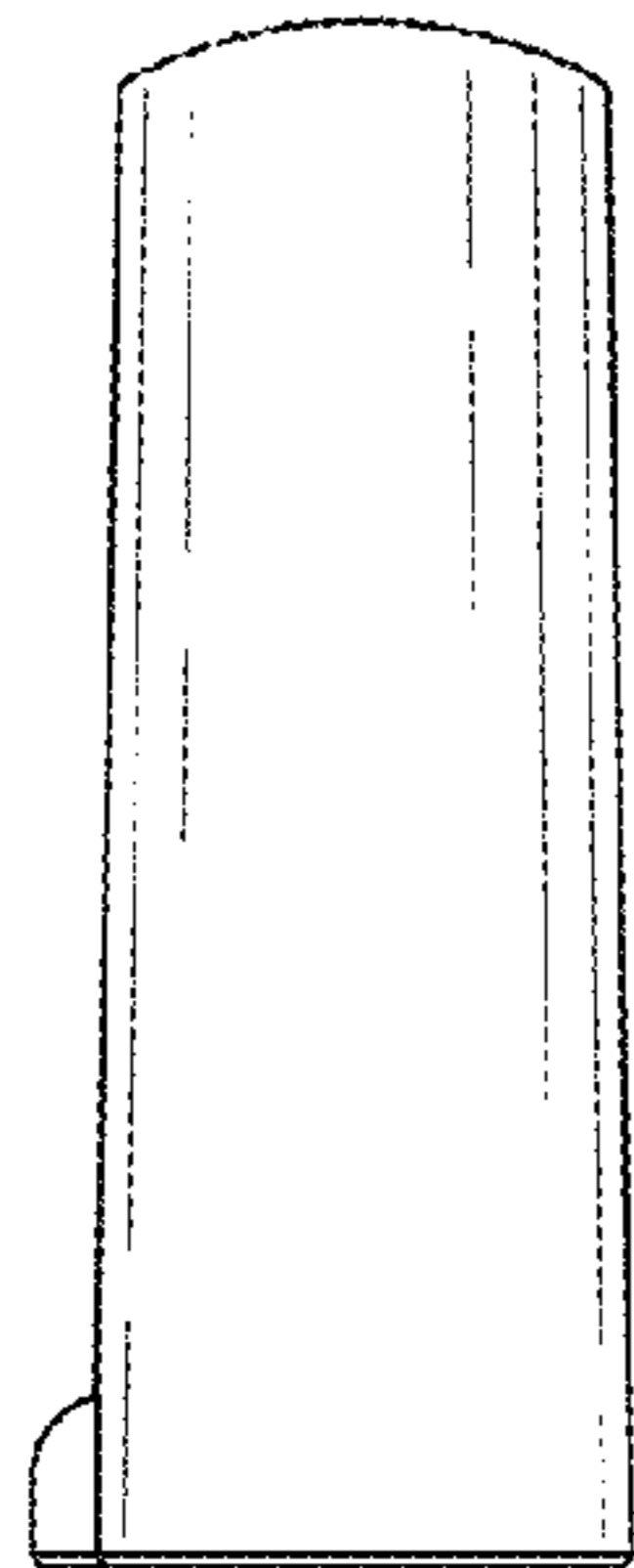


FIG. 9

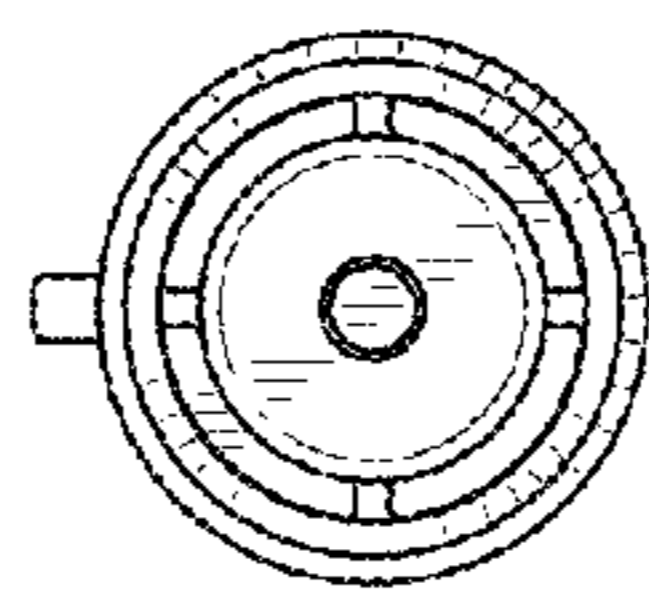


FIG. 10

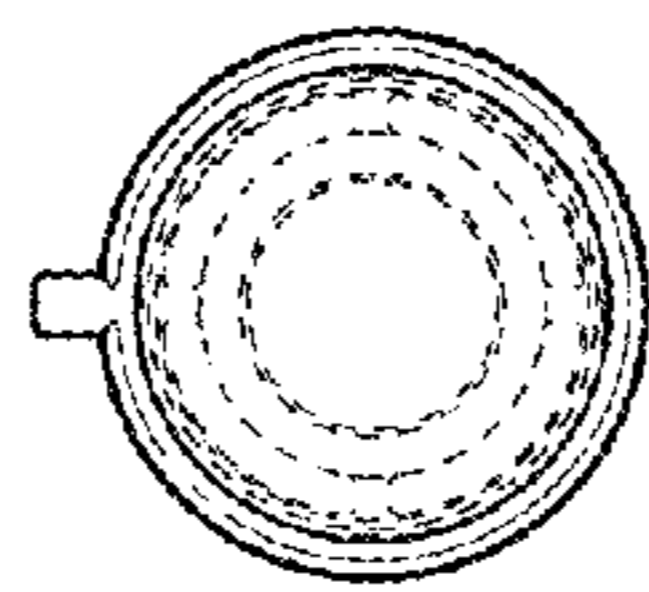


FIG. 11

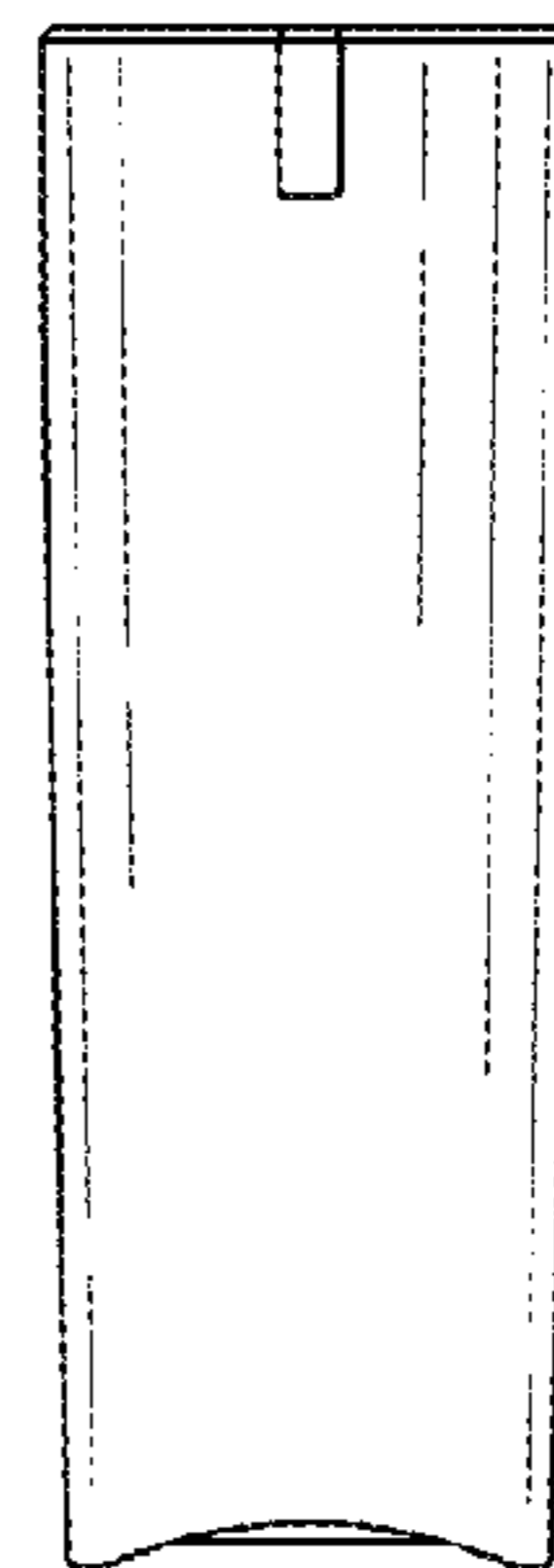


FIG. 12

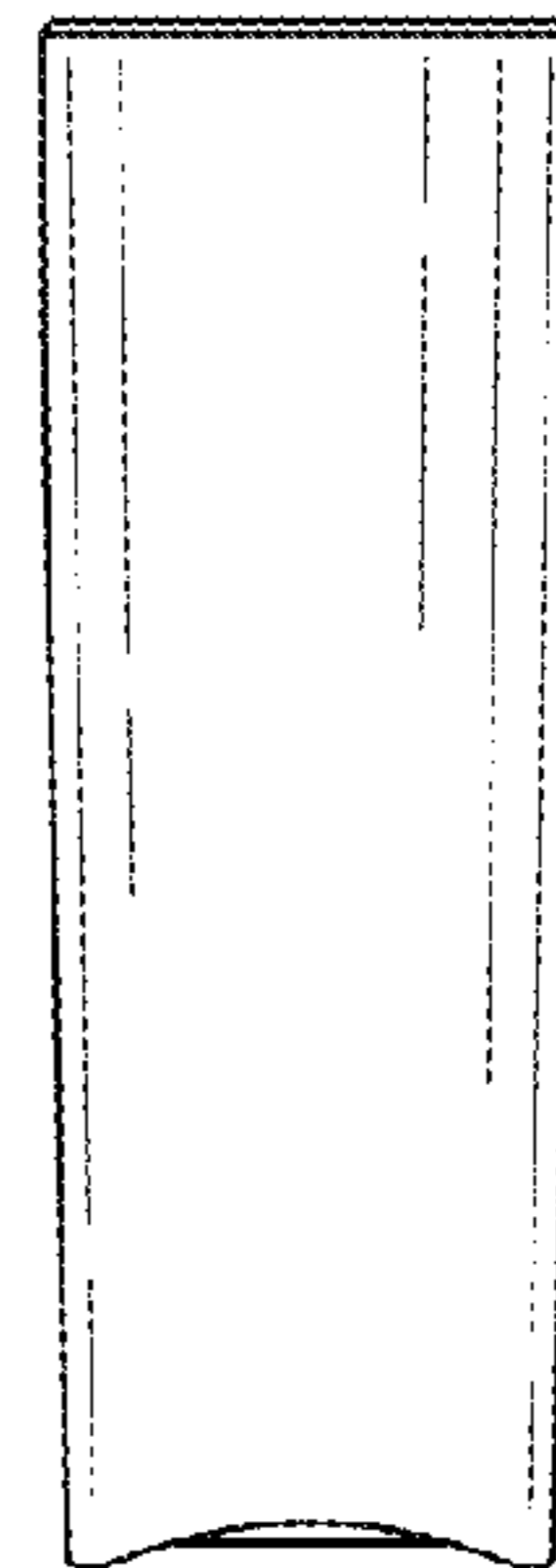


FIG. 13

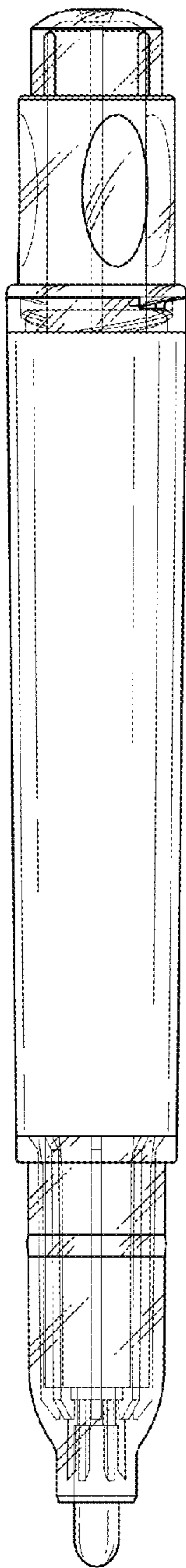


FIG. 14

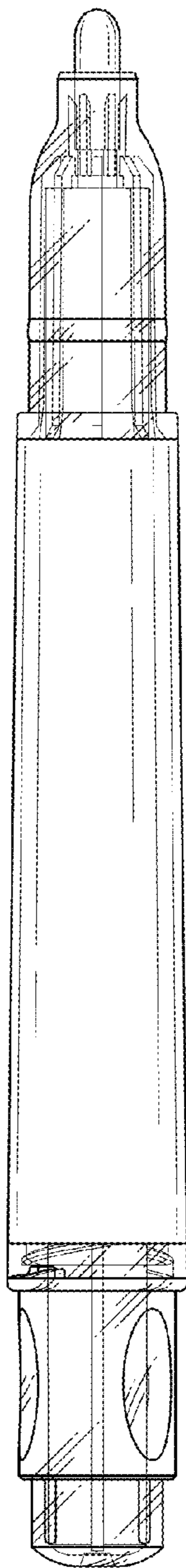


FIG. 15

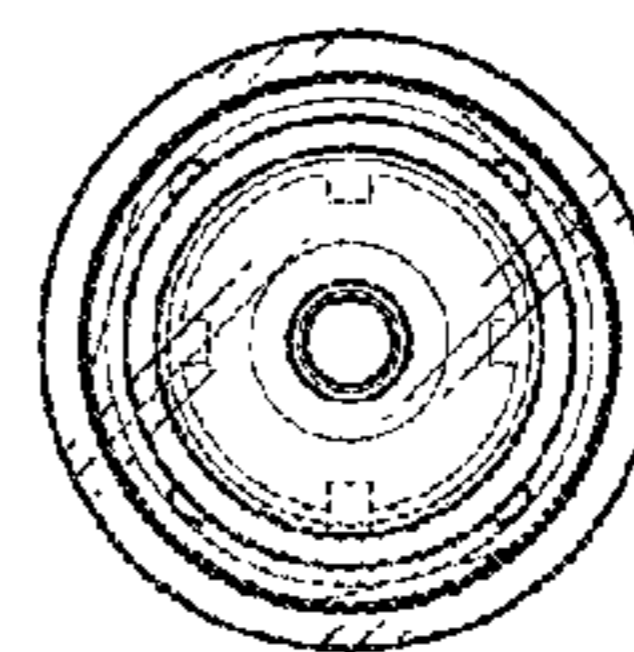


FIG. 17

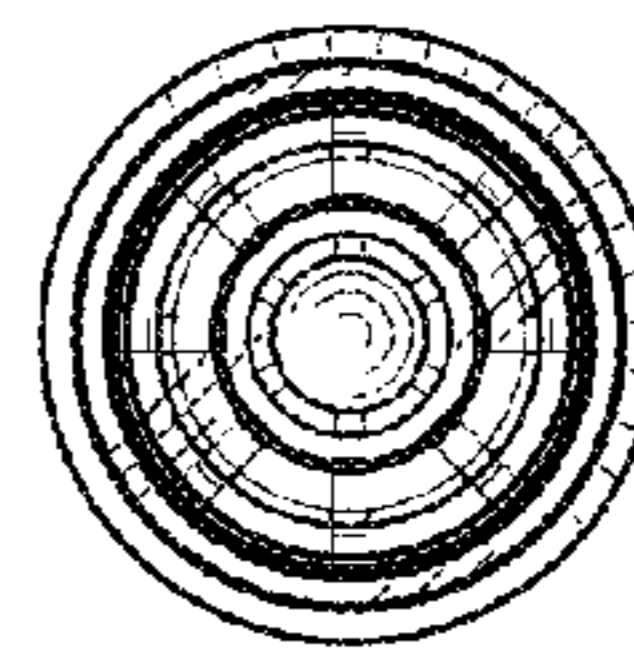


FIG. 16

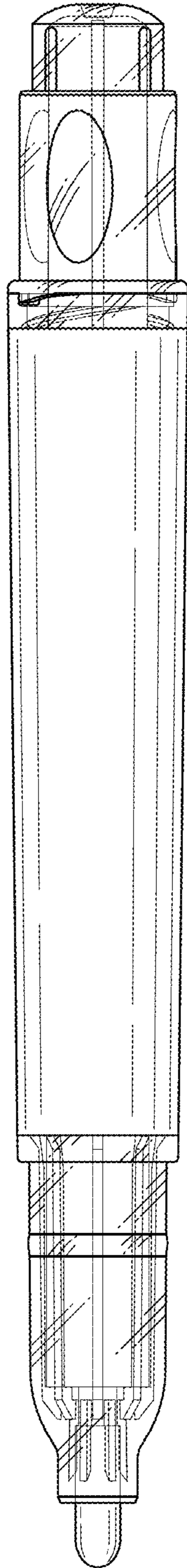


FIG. 18

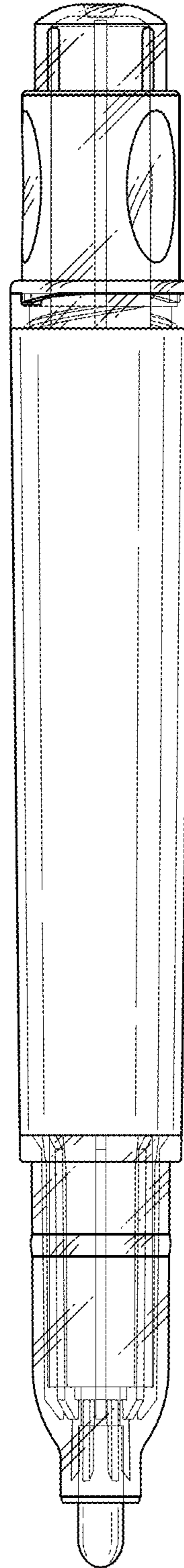


FIG. 19