



US00D744036S

(12) **United States Design Patent**
Blakney

(10) **Patent No.:** **US D744,036 S**

(45) **Date of Patent:** **** Nov. 24, 2015**

(54) **BINGO DAUBER**

(71) Applicant: **Loreen Blakney**, Camden, NJ (US)

(72) Inventor: **Loreen Blakney**, Camden, NJ (US)

(**) Term: **14 Years**

(21) Appl. No.: **29/499,122**

(22) Filed: **Aug. 12, 2014**

(51) **LOC (10) Cl.** **19-06**

(52) **U.S. Cl.**
USPC **D19/162; D9/503**

(58) **Field of Classification Search**
USPC D8/98, 99; D14/411; D19/115-204;
D28/7; D9/436, 500, 503, 504, 553,
D9/556, 723, 725
CPC B43K 5/005; B43K 7/00; B43K 7/01;
B43K 7/10; B43K 7/12; B43K 19/00; B43K
19/02; B43K 8/04

See application file for complete search history.

(56) **References Cited**

U.S. PATENT DOCUMENTS

D38,167	S	*	8/1906	Wintermann	D9/500
D81,633	S	*	7/1930	De Wagner	D9/520
D111,450	S	*	9/1938	Windbiel	D9/452
3,158,096	A	*	11/1964	Arnold	101/368
3,244,272	A	*	4/1966	Beaman et al.	206/0.82
3,581,926	A	*	6/1971	Roder	215/330
D237,853	S	*	12/1975	Katz	D7/523
4,795,156	A	*	1/1989	Paulish	273/148 R

D326,118	S	*	5/1992	Black	D19/162
D356,160	S	*	3/1995	Cautereels	D24/197
D357,865	S	*	5/1995	Hansen	D9/503
D381,042	S	*	7/1997	Roche	D19/162
D405,354	S	*	2/1999	Meausoone	D9/697
D432,572	S	*	10/2000	Aponte-Oeming	D19/162
D476,894	S	*	7/2003	Masotta et al.	D9/503
D511,688	S	*	11/2005	Baron	D9/560
D535,563	S	*	1/2007	Martin	D9/500
D608,642	S	*	1/2010	Black	D9/500
D629,698	S	*	12/2010	Kim et al.	D9/574
D687,494	S		8/2013	McVay-Kaiser		
D703,048	S	*	4/2014	Lopez et al.	D9/500
D703,049	S	*	4/2014	Riley et al.	D9/500
D703,051	S	*	4/2014	Riley et al.	D9/503

* cited by examiner

Primary Examiner — Elizabeth Albert

(74) *Attorney, Agent, or Firm* — Crossley Patent Law

(57) **CLAIM**

The ornamental design for a bingo dauber, as shown and described.

DESCRIPTION

FIG. 1 is an exploded front perspective view of a bingo dauber showing my new design, the opposite side being a mirror image of the side shown;

FIG. 2 is an exploded right side elevation view thereof, the opposite side being a mirror image of the side shown;

FIG. 3 is an exploded top plan view thereof;

FIG. 4 is an exploded bottom plan view thereof; and,

FIG. 5 is an exploded isometric view thereof.

1 Claim, 4 Drawing Sheets

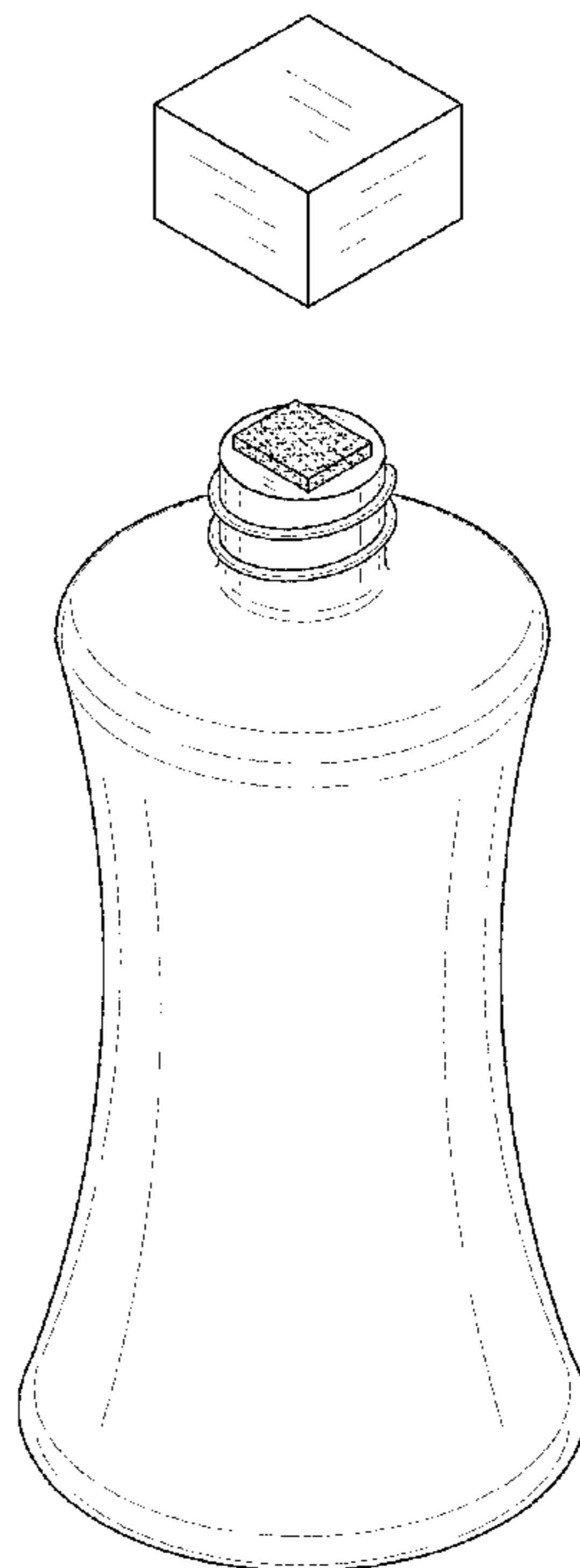


FIG. 1

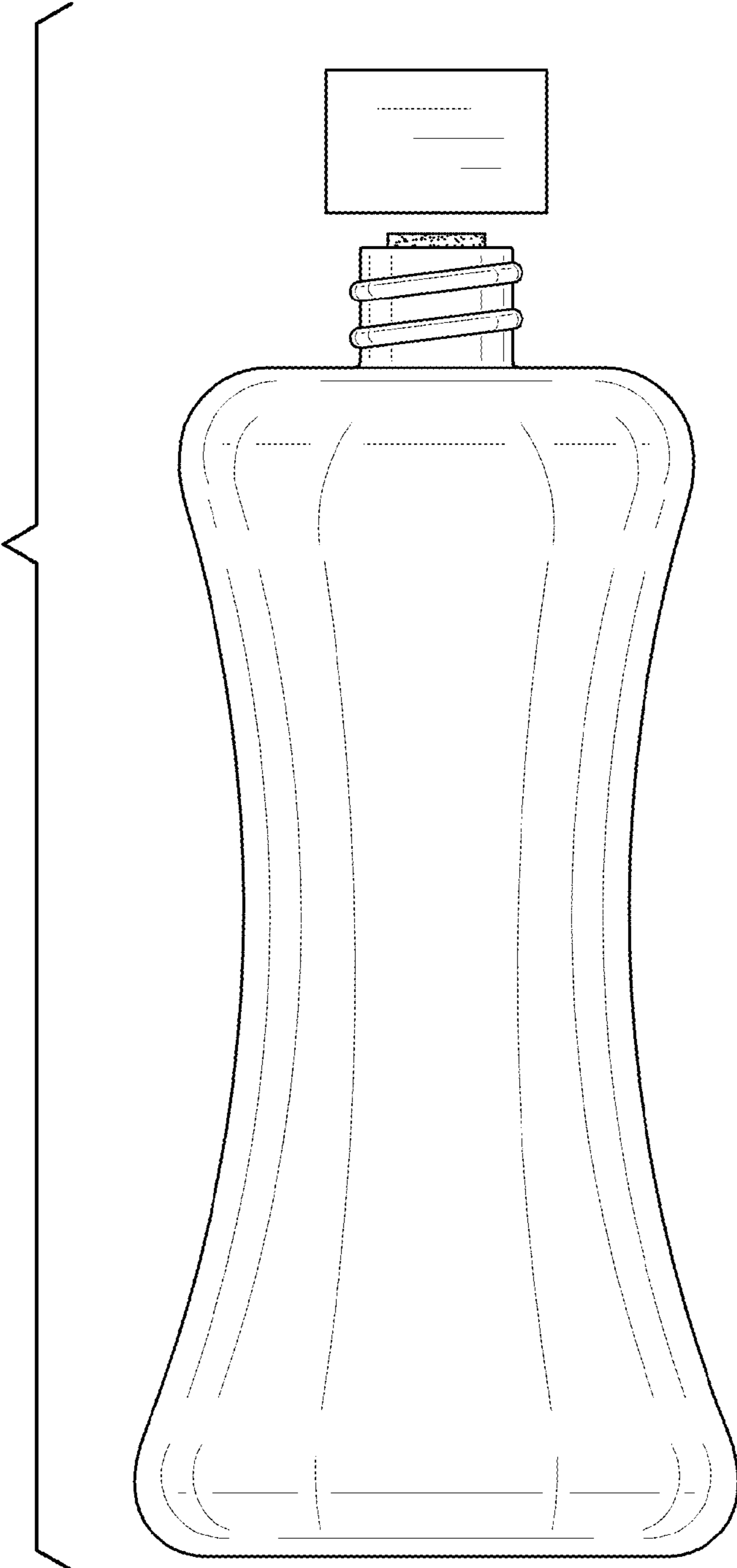


FIG. 2

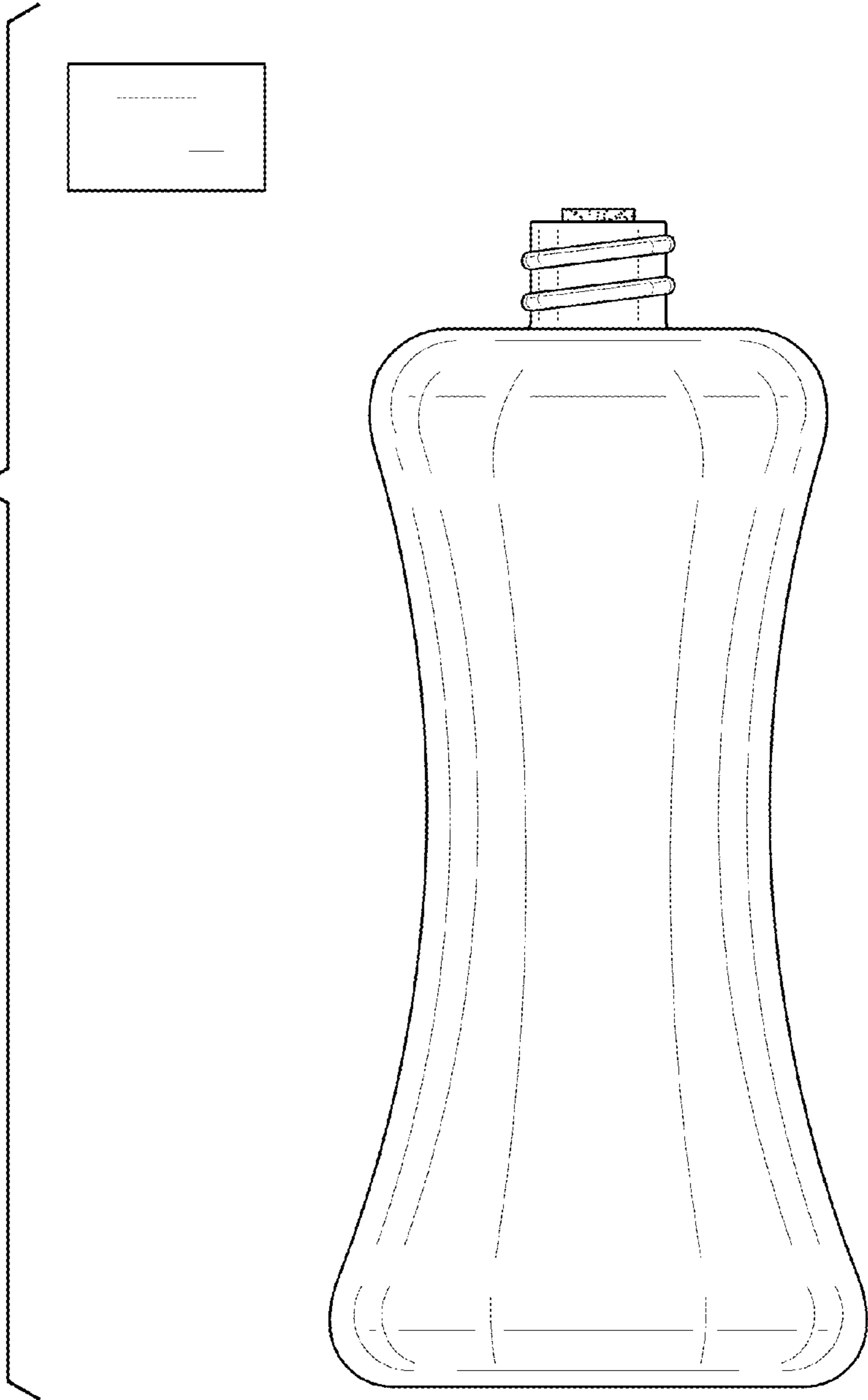


FIG. 3

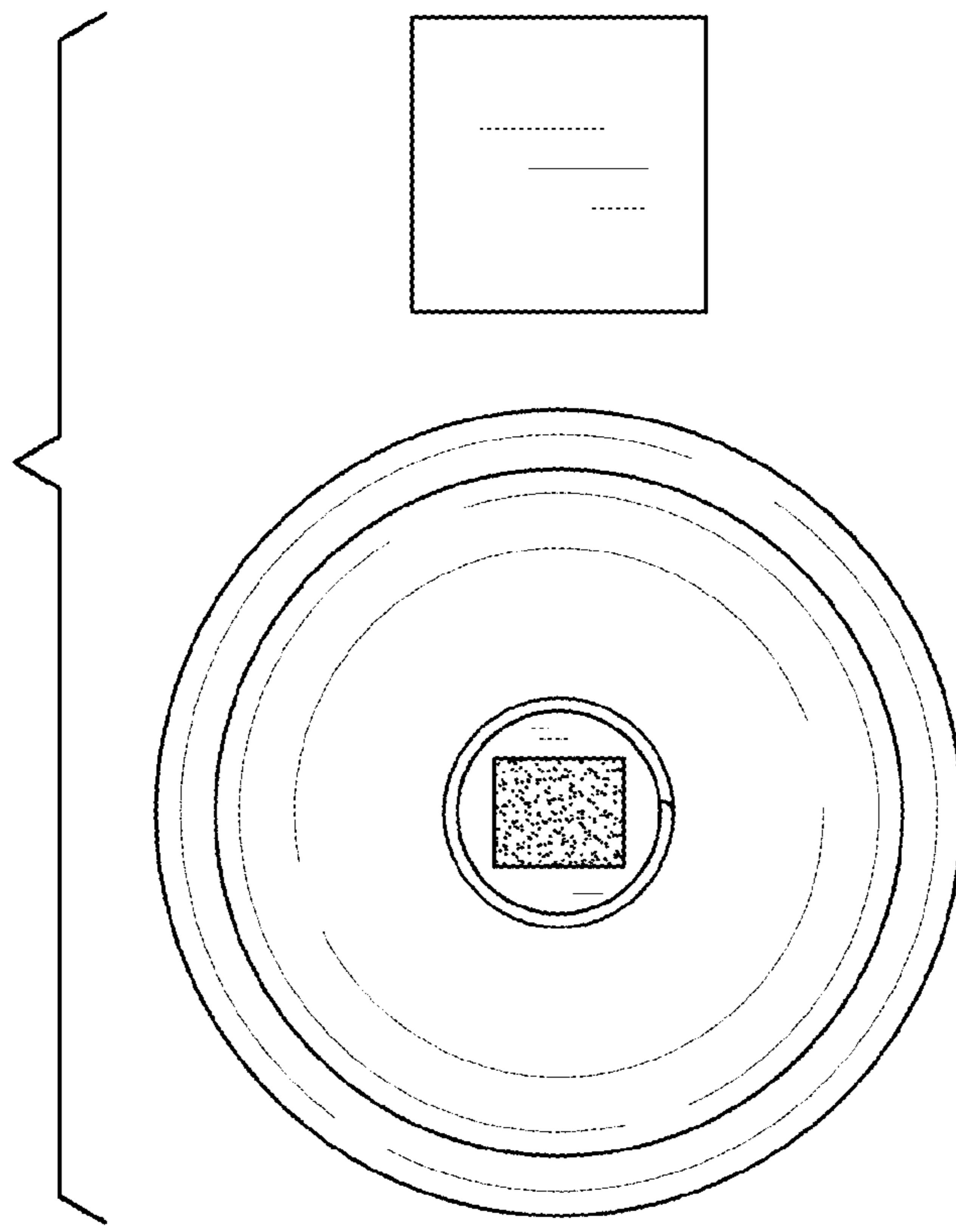


FIG. 4

