



US00D744035S

(12) **United States Design Patent**
Nguyen

(10) **Patent No.:** **US D744,035 S**

(45) **Date of Patent:** **** Nov. 24, 2015**

(54) **ARROW BOARD**

(71) Applicant: **Minh Nguyen**, Danvers, MA (US)

(72) Inventor: **Minh Nguyen**, Danvers, MA (US)

(**) Term: **14 Years**

(21) Appl. No.: **29/496,439**

(22) Filed: **Jul. 13, 2014**

(51) **LOC (10) Cl.** **19-06**

(52) **U.S. Cl.**
USPC **D19/113**

(58) **Field of Classification Search**
USPC D19/101, 113, 114, 88; D11/132-135;
D16/237

CPC B43L 1/00; B43L 1/04; B43L 5/00;
G09F 7/04; G09F 7/06; G09F 7/08

See application file for complete search history.

(56) **References Cited**

U.S. PATENT DOCUMENTS

| | | | | | |
|-----------|-----|---------|-----------------|-------|----------|
| 1,607,016 | A * | 11/1926 | Prather | | 283/34 |
| 3,140,781 | A * | 7/1964 | Rothgart | | 211/13.1 |
| 3,176,418 | A * | 4/1965 | Ramseur, Jr. | | 40/624 |
| 4,236,331 | A * | 12/1980 | Mattson | | 40/1.5 |
| 4,749,082 | A * | 6/1988 | Gardiner et al. | | 206/349 |
| 5,134,794 | A * | 8/1992 | Walrath | | 40/781 |
| D343,865 | S * | 2/1994 | Pohl | | D19/78 |

| | | | | | |
|-----------|------|---------|----------------|-------|----------|
| D361,347 | S * | 8/1995 | Adler | | D19/113 |
| D364,642 | S * | 11/1995 | Adler | | D19/113 |
| 5,587,036 | A * | 12/1996 | Utsch et al. | | 156/219 |
| 5,743,414 | A * | 4/1998 | Baudino | | 211/69.1 |
| 5,984,091 | A * | 11/1999 | Orr et al. | | 206/232 |
| 6,671,986 | B2 * | 1/2004 | Reeves | | 40/1.6 |
| D496,068 | S * | 9/2004 | Mandel | | D19/113 |
| D553,195 | S * | 10/2007 | Chamberlain | | D20/29 |
| D615,585 | S * | 5/2010 | Skinner et al. | | D19/10 |
| 7,874,842 | B2 * | 1/2011 | Beno | | 434/408 |
| 8,808,006 | B2 * | 8/2014 | Ureles et al. | | 434/415 |
| D716,379 | S * | 10/2014 | Kennedy | | D20/23 |

* cited by examiner

Primary Examiner — Elizabeth Albert

(74) *Attorney, Agent, or Firm* — Daniel N. Smith

(57) **CLAIM**

The ornamental design for an arrow board, as shown and described.

DESCRIPTION

FIG. 1 is a top perspective view of an arrow board showing my new design;

FIG. 2 is a front elevation view thereof;

FIG. 3 is a rear elevation view thereof;

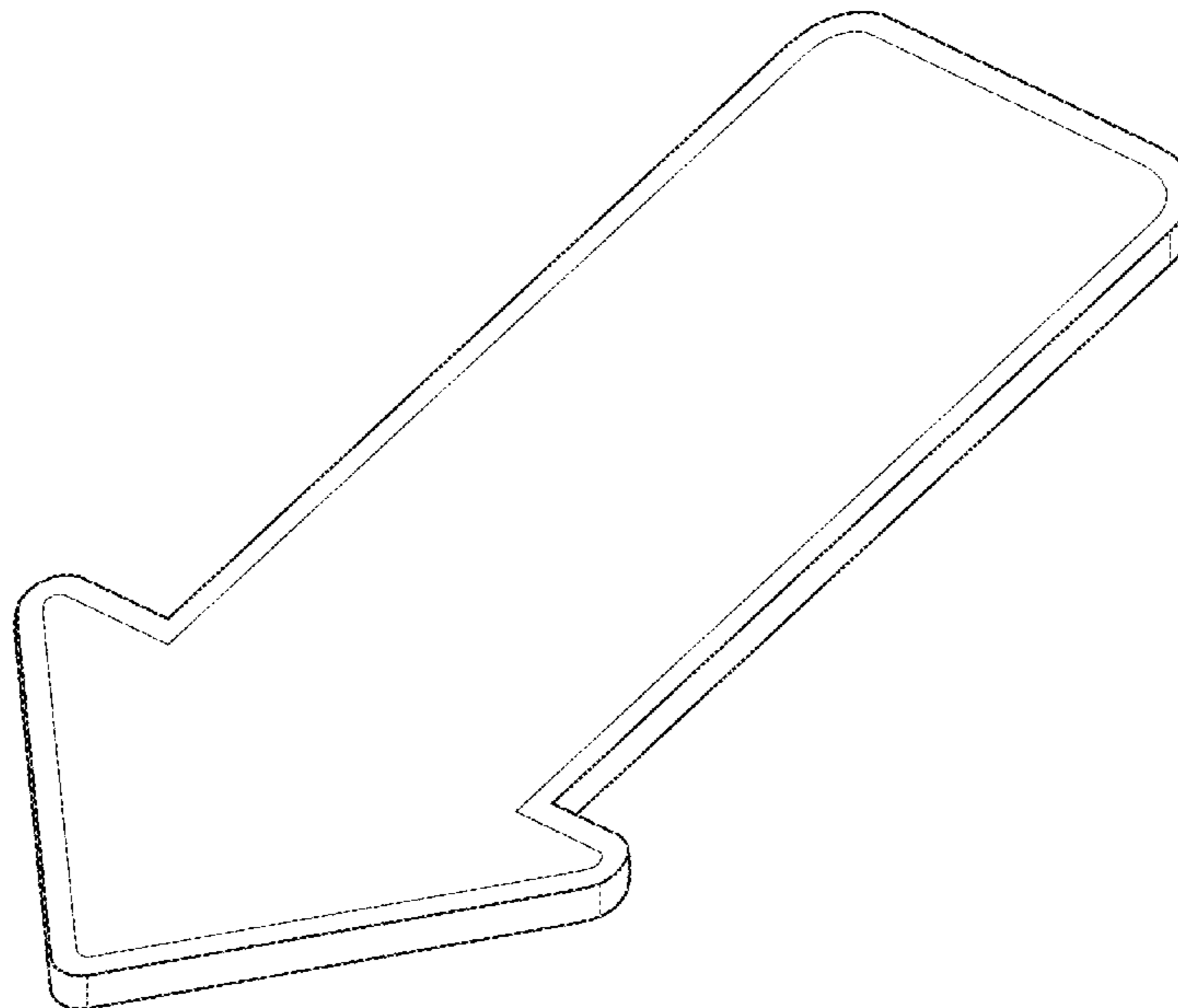
FIG. 4 is a right side elevation view thereof;

FIG. 5 is a left side elevation view thereof;

FIG. 6 is a top plan view thereof; and,

FIG. 7 is a bottom plan view thereof.

1 Claim, 4 Drawing Sheets



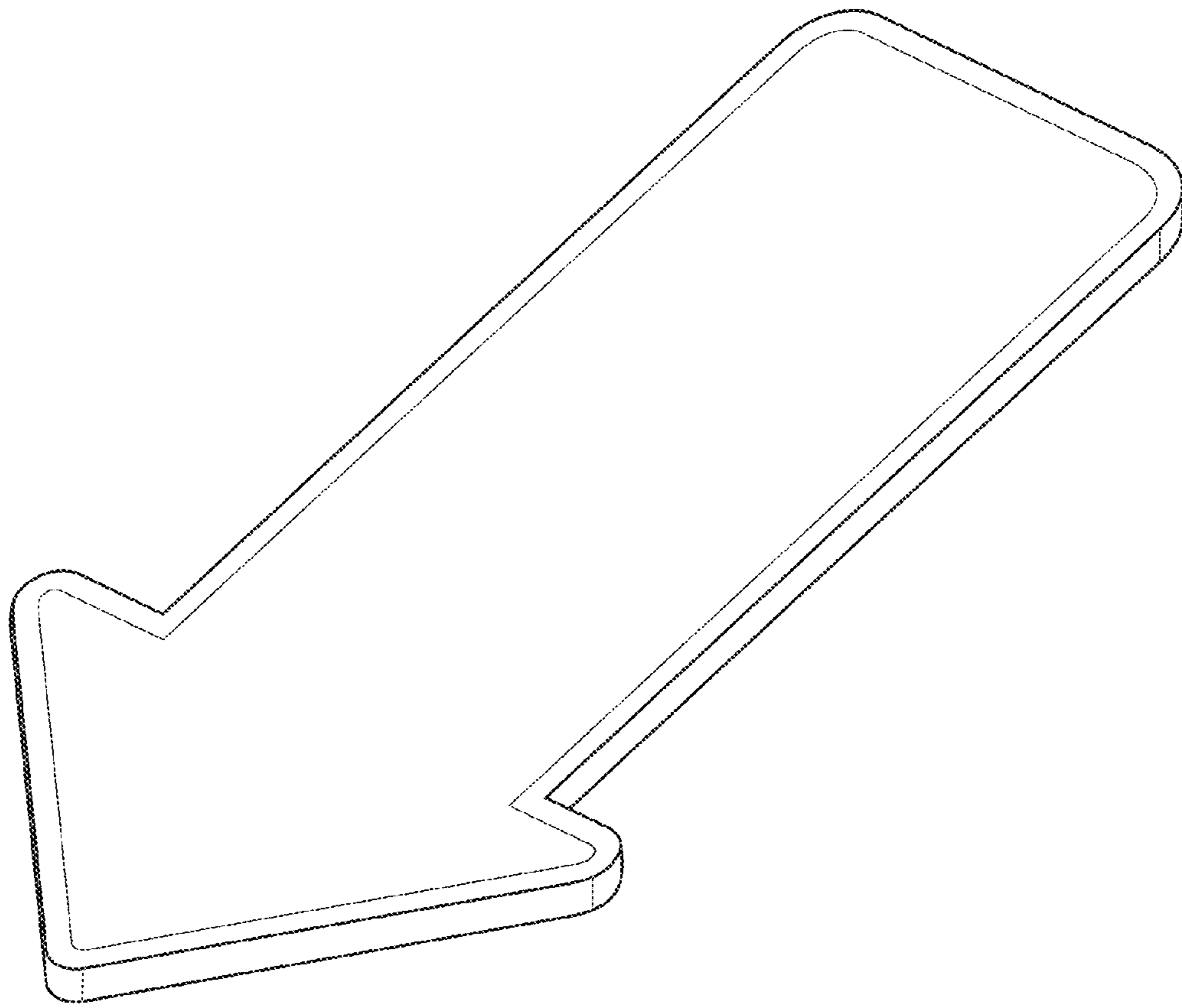


FIG. 1

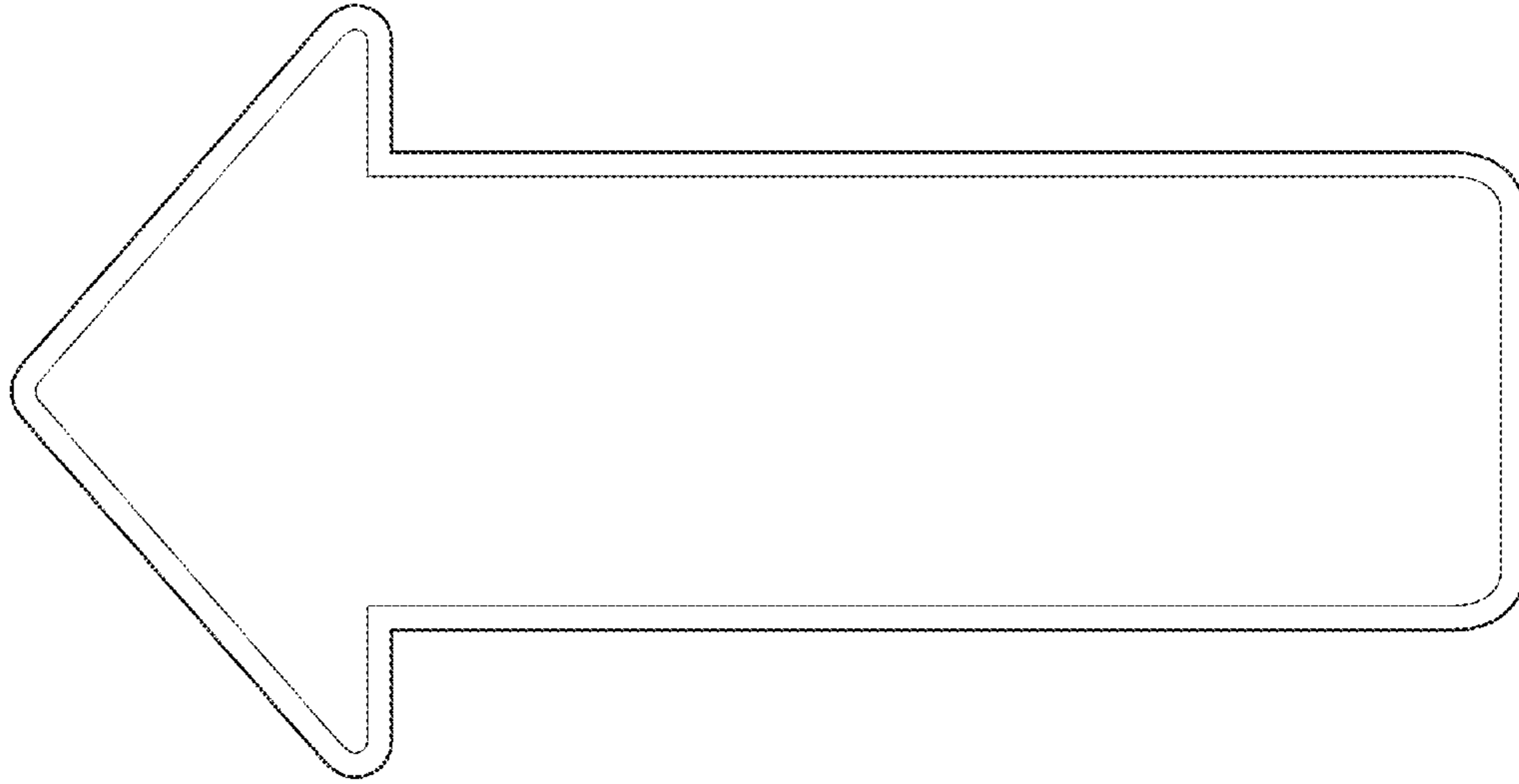


FIG. 2

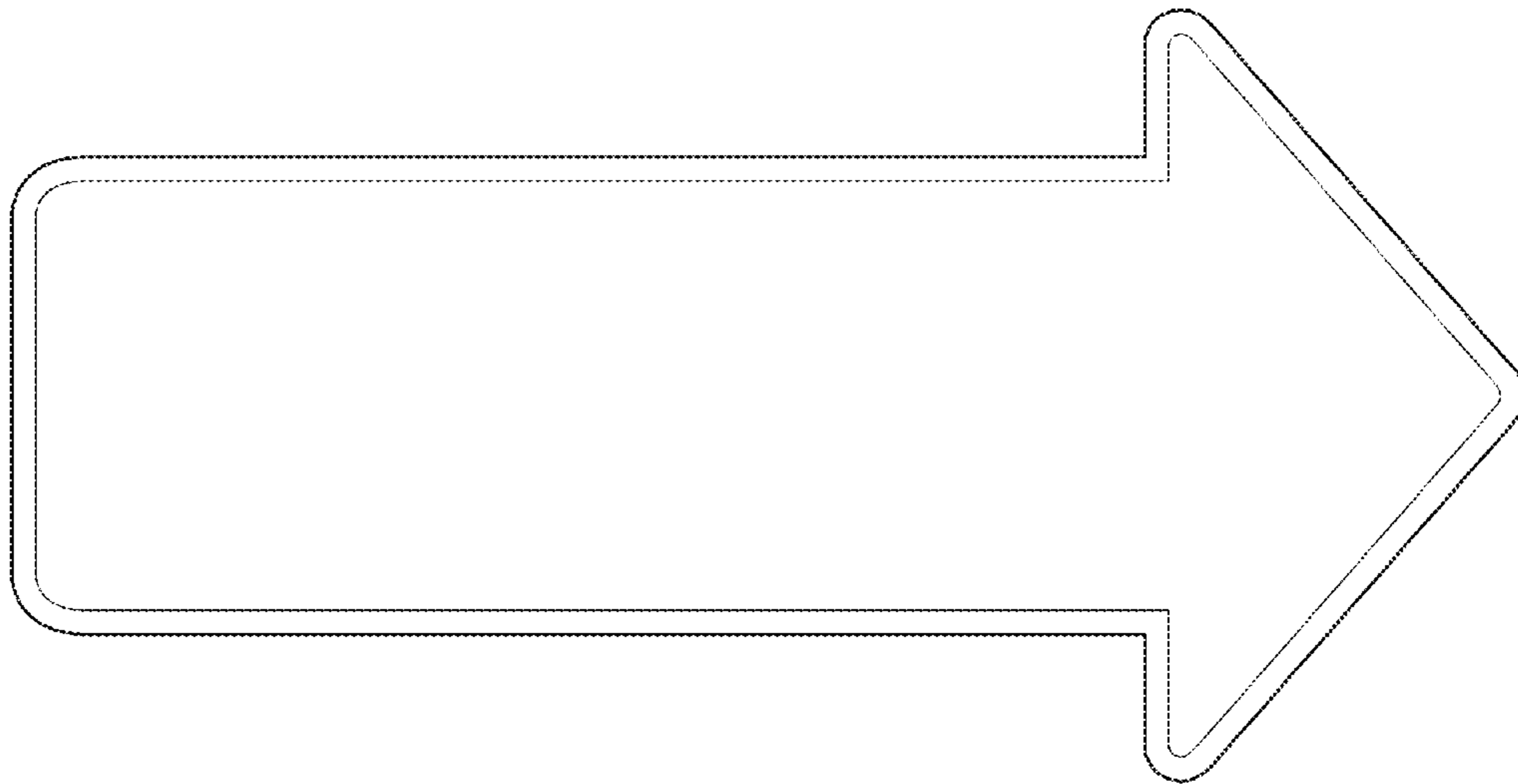


FIG. 3



FIG. 4



FIG. 5



FIG. 6

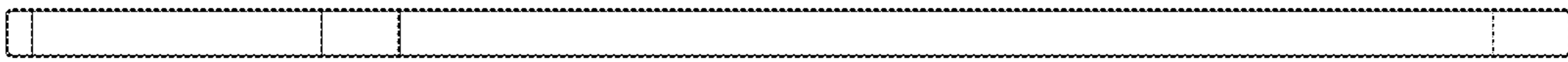


FIG. 7