



US00D744034S

(12) **United States Design Patent**
Nguyen

(10) **Patent No.:** **US D744,034 S**

(45) **Date of Patent:** **** Nov. 24, 2015**

(54) **SPEECH BUBBLE BOARD**

(71) Applicant: **Minh Nguyen**, Danvers, MA (US)

(72) Inventor: **Minh Nguyen**, Danvers, MA (US)

(**) Term: **14 Years**

(21) Appl. No.: **29/496,438**

(22) Filed: **Jul. 13, 2014**

(51) **LOC (10) Cl.** **19-06**

(52) **U.S. Cl.**
USPC **D19/113**

(58) **Field of Classification Search**
USPC D19/101, 113, 114, 88; D11/132-135;
D16/237
CPC B43L 1/00; B43L 1/04; B43L 5/00;
G09F 7/04; G09F 7/06; G09F 7/08; G98F
15/00; G98F 15/0006; G98F 15/0018; G98F
15/0056

See application file for complete search history.

(56) **References Cited**

U.S. PATENT DOCUMENTS

1,607,016	A *	11/1926	Prather	283/34
3,140,781	A *	7/1964	Rothgart	211/13.1
3,176,418	A *	4/1965	Ramseur, Jr.	40/624
4,236,331	A *	12/1980	Mattson	40/1.5
4,749,082	A *	6/1988	Gardiner et al.	206/349
5,134,794	A *	8/1992	Walrath	40/781
D343,865	S *	2/1994	Pohl	D19/78

D361,347	S *	8/1995	Adler	D19/113
D364,642	S *	11/1995	Adler	D19/113
5,587,036	A *	12/1996	Utsch et al.	156/219
5,743,414	A *	4/1998	Baudino	211/69.1
5,984,091	A *	11/1999	Orr et al.	206/232
6,671,986	B2 *	1/2004	Reeves	40/1.6
D496,068	S *	9/2004	Mandel	D19/113
D553,195	S *	10/2007	Chamberlain	D20/29
D615,585	S *	5/2010	Skinner et al.	D19/10
7,874,842	B2 *	1/2011	Beno	434/408
8,808,006	B2 *	8/2014	Ureles et al.	434/415
D716,379	S *	10/2014	Kennedy	D20/23

* cited by examiner

Primary Examiner — Elizabeth Albert

(74) *Attorney, Agent, or Firm* — Daniel N. Smith

(57) **CLAIM**

The ornamental design for a speech bubble board, as shown and described.

DESCRIPTION

FIG. 1 is a top perspective view of a speech bubble board showing my new design;

FIG. 2 is a front elevation view thereof;

FIG. 3 is a rear elevation view thereof;

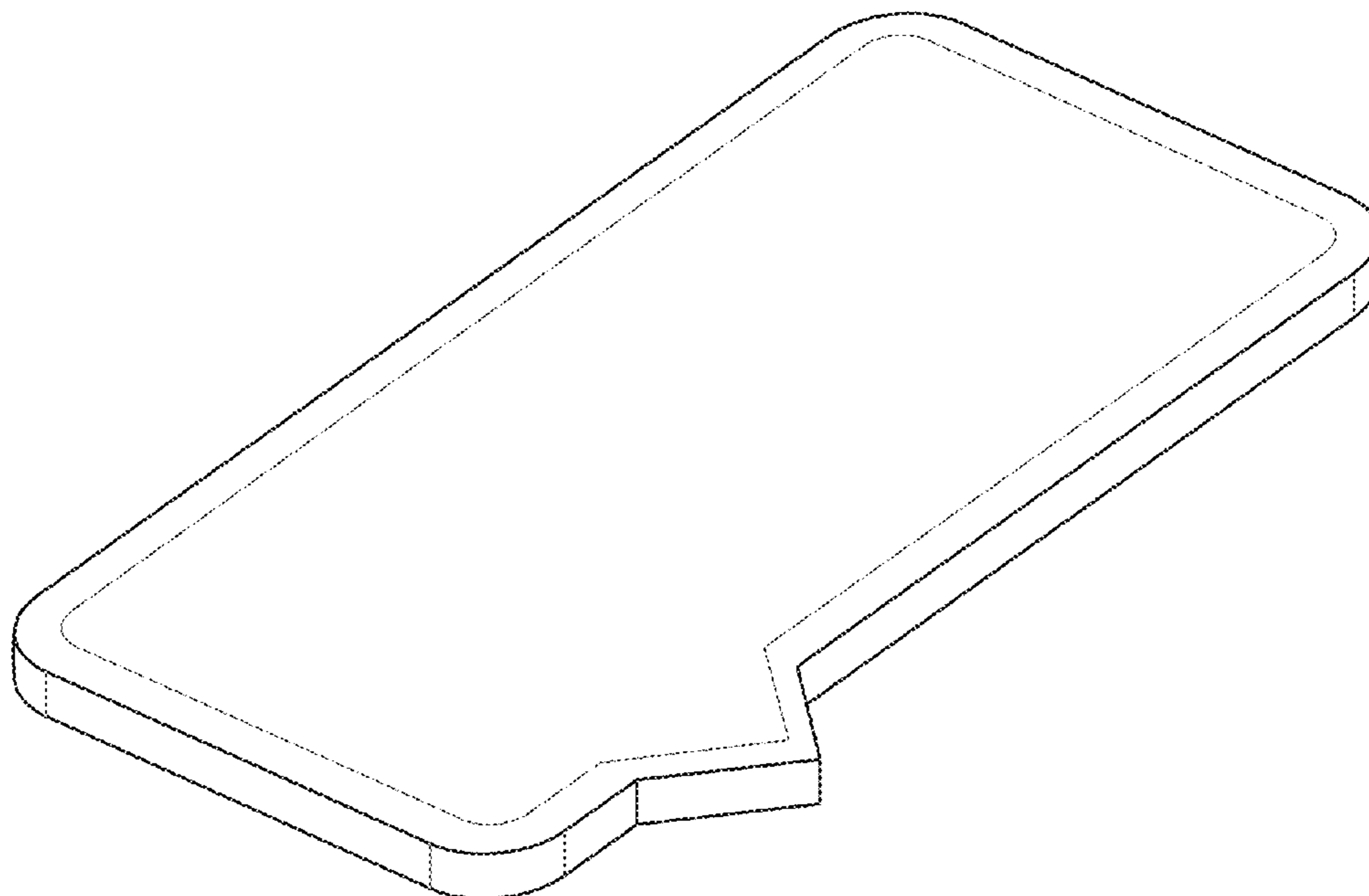
FIG. 4 is a right side elevation view thereof;

FIG. 5 is a left side elevation view thereof;

FIG. 6 is a top plan view thereof; and,

FIG. 7 is a bottom plan view thereof.

1 Claim, 3 Drawing Sheets



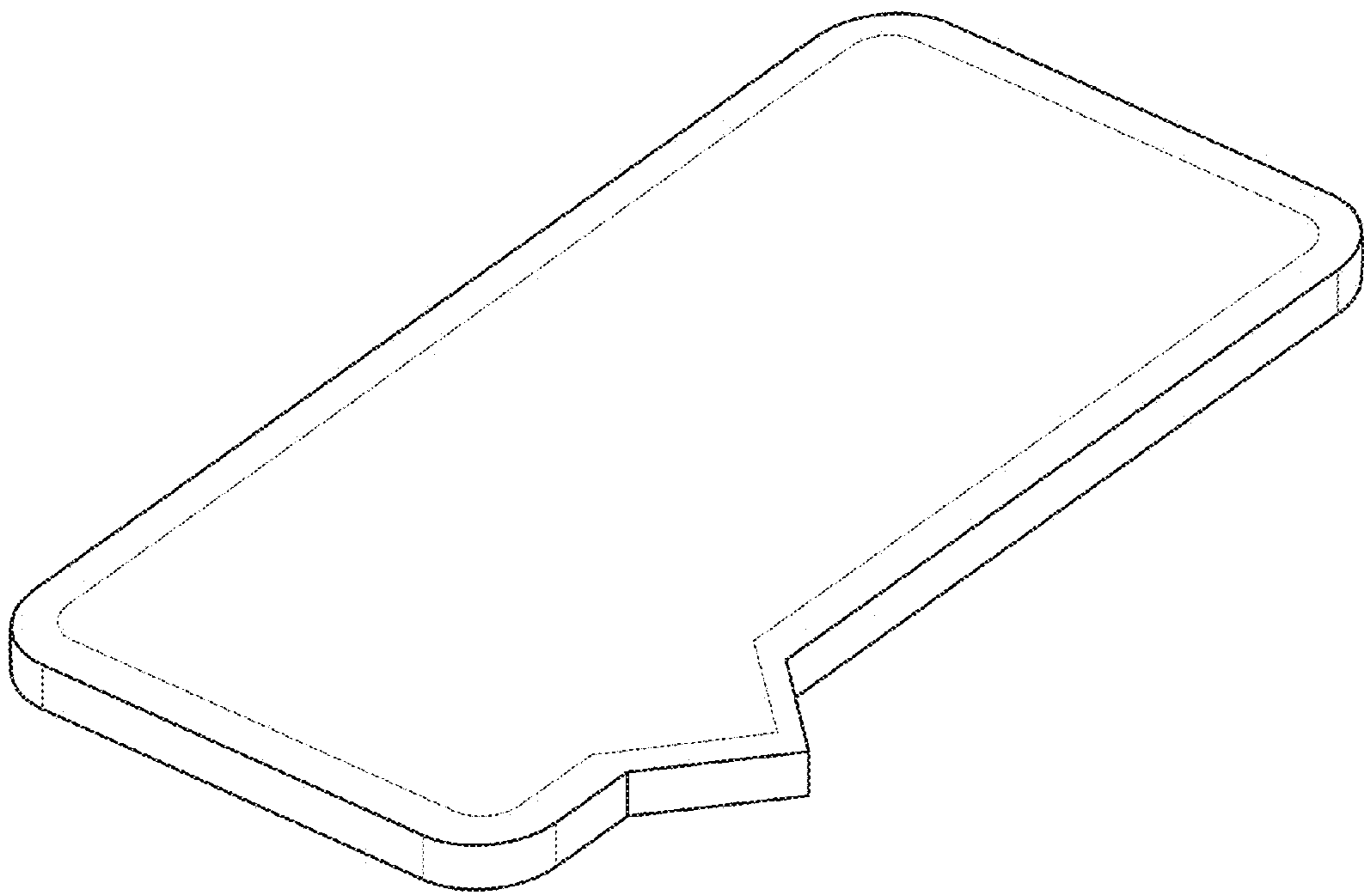


FIG. 1

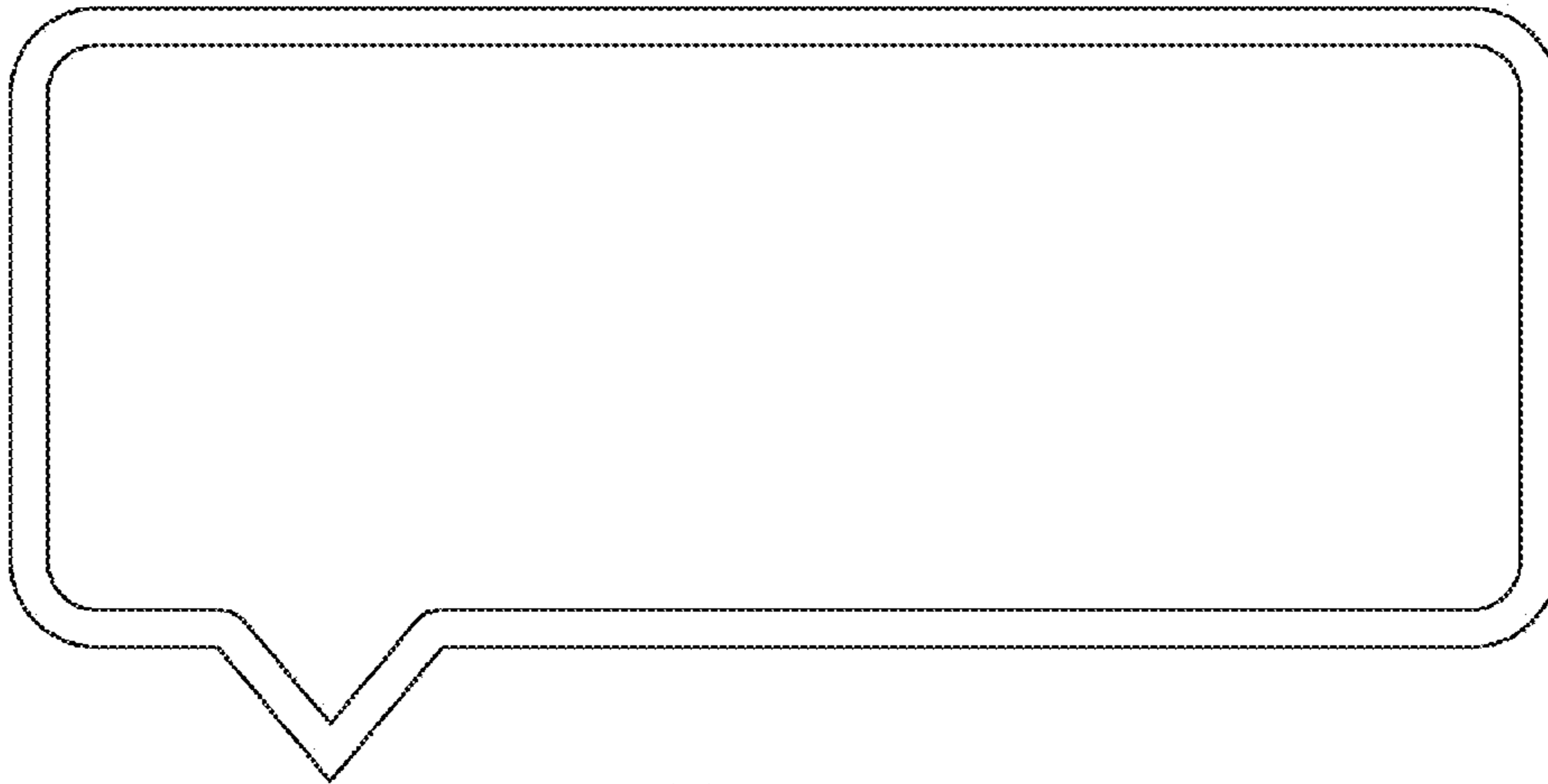


FIG. 2

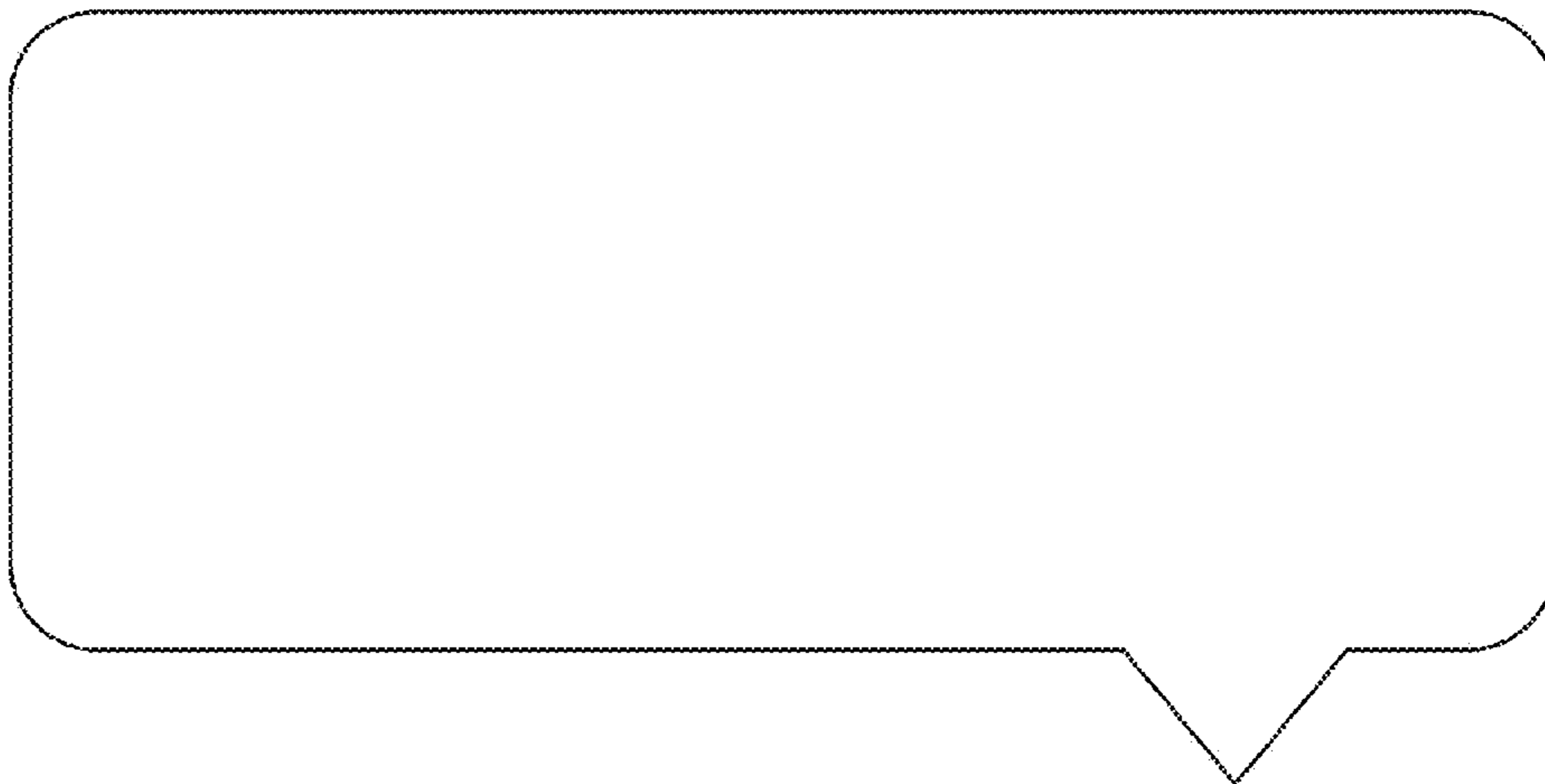


FIG. 3



FIG. 4



FIG. 5



FIG. 6



FIG. 7