



US00D744031S

(12) **United States Design Patent**
Tanaka et al.

(10) **Patent No.:** **US D744,031 S**

(45) **Date of Patent:** **** Nov. 24, 2015**

(54) **PRINTER**

(56) **References Cited**

(71) Applicant: **BROTHER INDUSTRIES, LTD.**,
Nagoya-shi, Aichi-ken (JP)

(72) Inventors: **Hiromitsu Tanaka**, Nagoya (JP);
Yukihiko Sato, Nagoya (JP); **Yusaku Seki**, Nagoya (JP)

(73) Assignee: **BROTHER INDUSTRIES, LTD.**,
Nagoya (JP)

(**) Term: **14 Years**

(21) Appl. No.: **29/512,427**

(22) Filed: **Dec. 18, 2014**

(30) **Foreign Application Priority Data**

Jun. 18, 2014 (JP) 2014-13151

(51) **LOC (10) Cl.** **14-02**

(52) **U.S. Cl.**
USPC **D18/50**

(58) **Field of Classification Search**
USPC D18/50, 54, 54.1, 55; D14/720-426,
D14/462-470; 400/613, 613.1-613.4,
400/690.1-690.4, 691-694

See application file for complete search history.

U.S. PATENT DOCUMENTS

D558,823	S	*	1/2008	Alfonso et al.	D18/55
D613,791	S	*	4/2010	Yoshioka et al.	D18/55
D614,234	S	*	4/2010	Ishikawa et al.	D18/55
D667,051	S	*	9/2012	Sato	D18/50
D669,473	S	*	10/2012	Gronau et al.	D14/420
D675,673	S	*	2/2013	Sato	D18/50
D675,675	S	*	2/2013	Sato et al.	D18/50
D678,402	S	*	3/2013	Sato	D18/50
D722,109	S	*	2/2015	Nanno et al.	D18/50
2014/0139986	A1	*	5/2014	Osakabe et al.	361/679.01

* cited by examiner

Primary Examiner — Cathy Anne MacCormac

(74) *Attorney, Agent, or Firm* — Oliff PLC

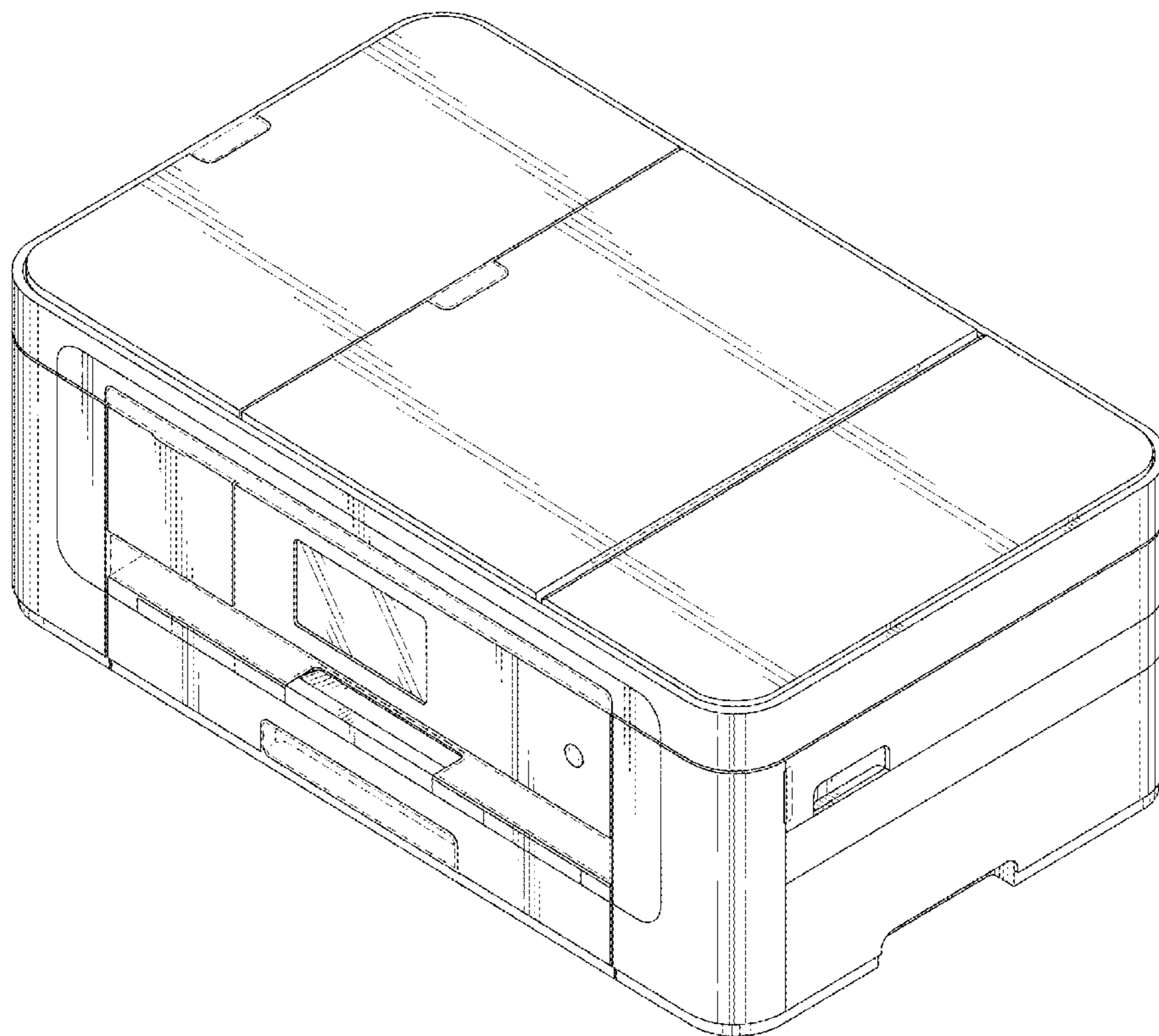
(57) **CLAIM**

The ornamental design for a printer, as shown and described.

DESCRIPTION

FIG. 1 is a perspective view of a printer;
FIG. 2 is a front view thereof;
FIG. 3 is a top view thereof;
FIG. 4 is a right-side view thereof;
FIG. 5 is a left-side view thereof;
FIG. 6 is a rear view thereof; and,
FIG. 7 is a bottom view thereof.
The broken lines depict environmental subject matter only
and form no part of the claimed design.

1 Claim, 6 Drawing Sheets



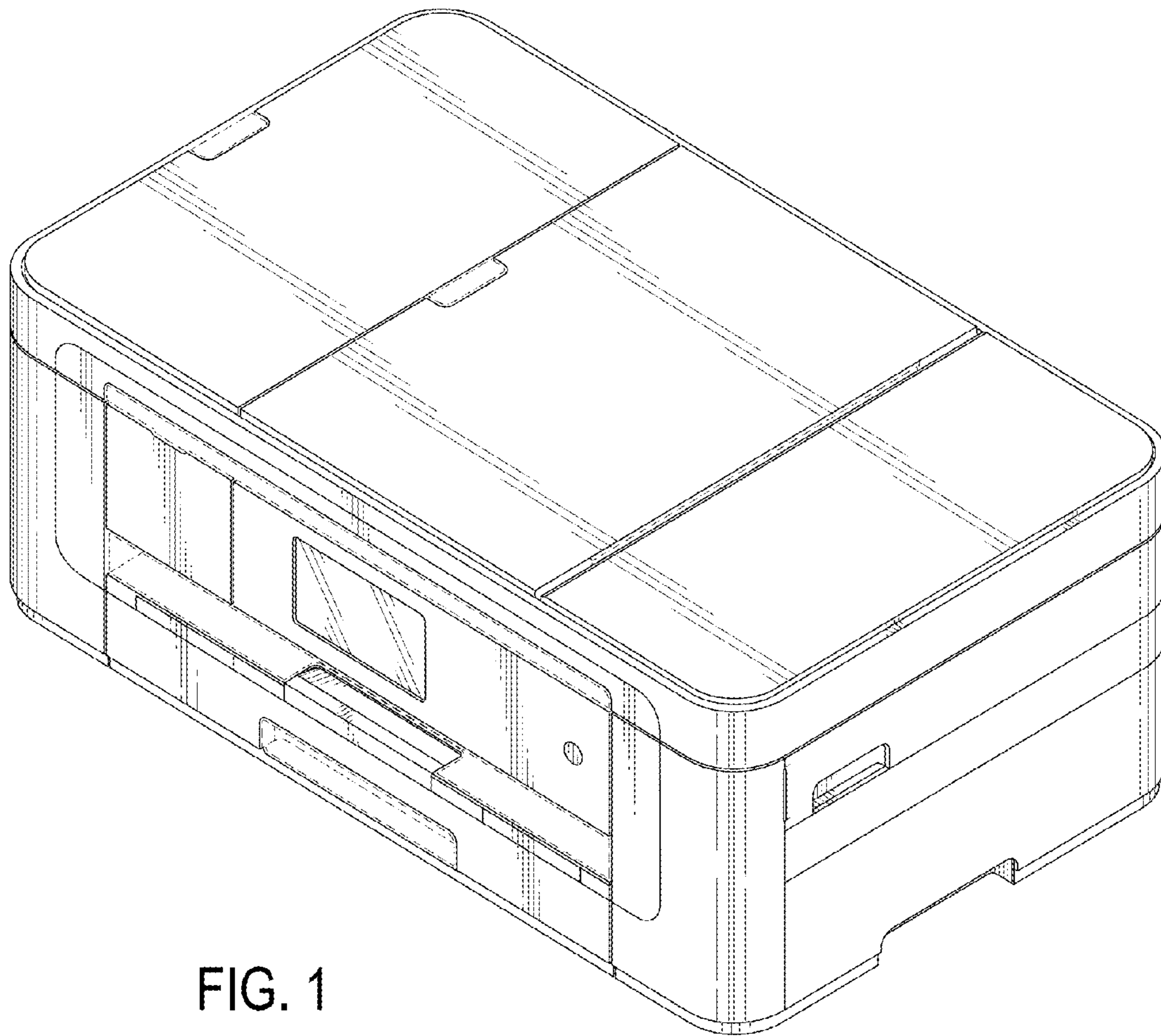


FIG. 1

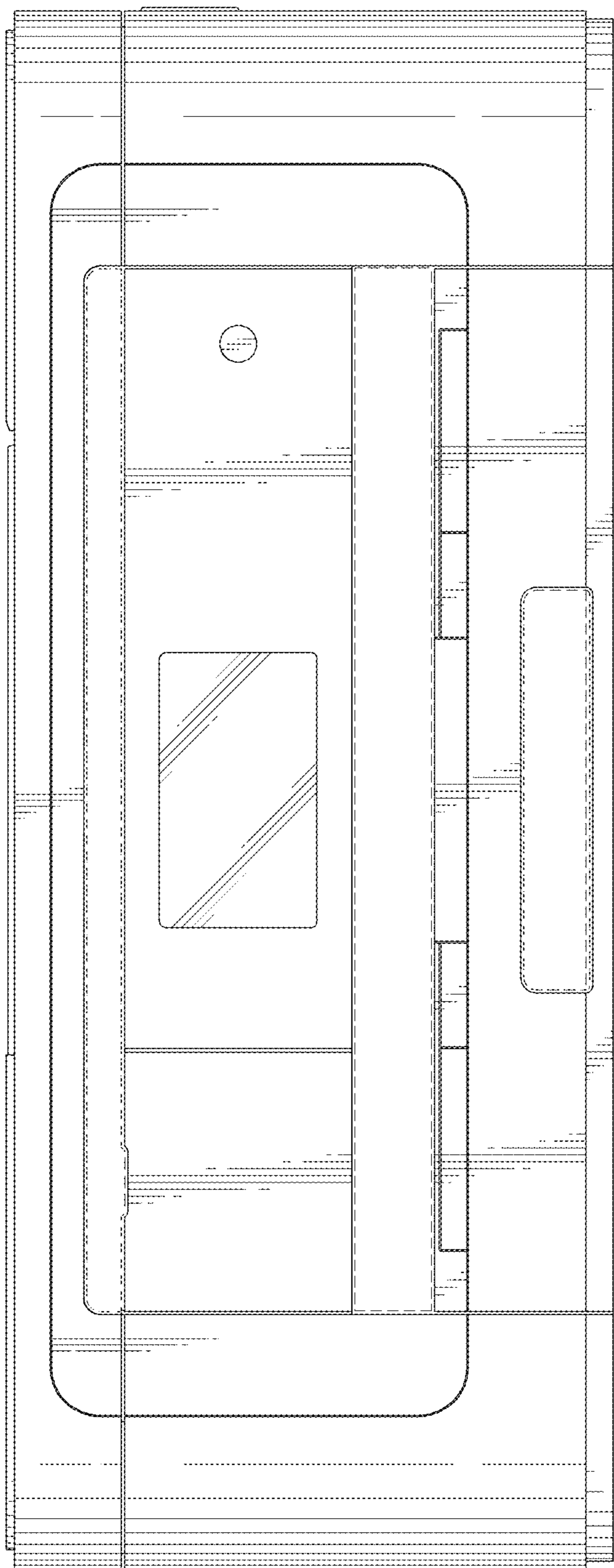


FIG. 2

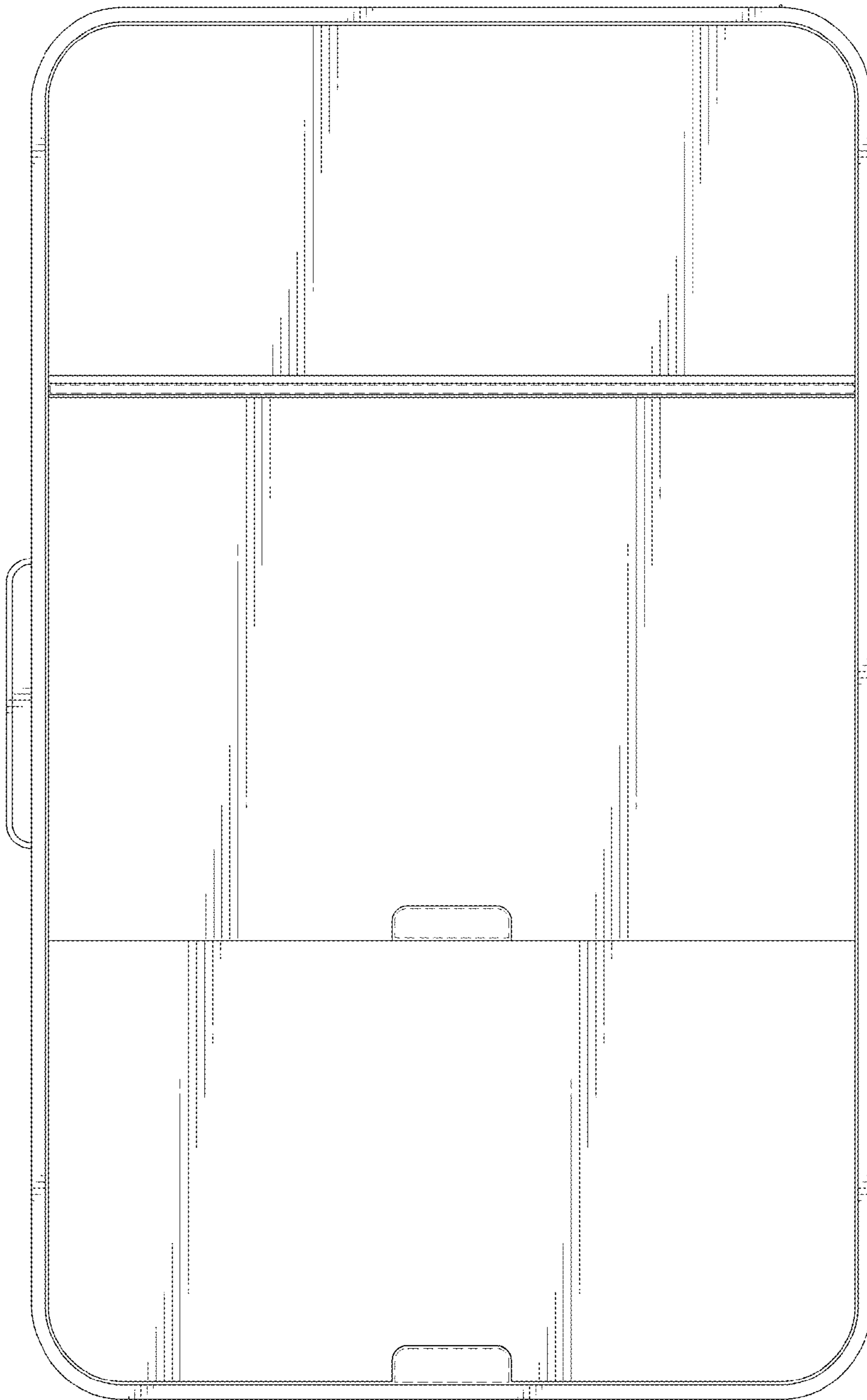


FIG. 3

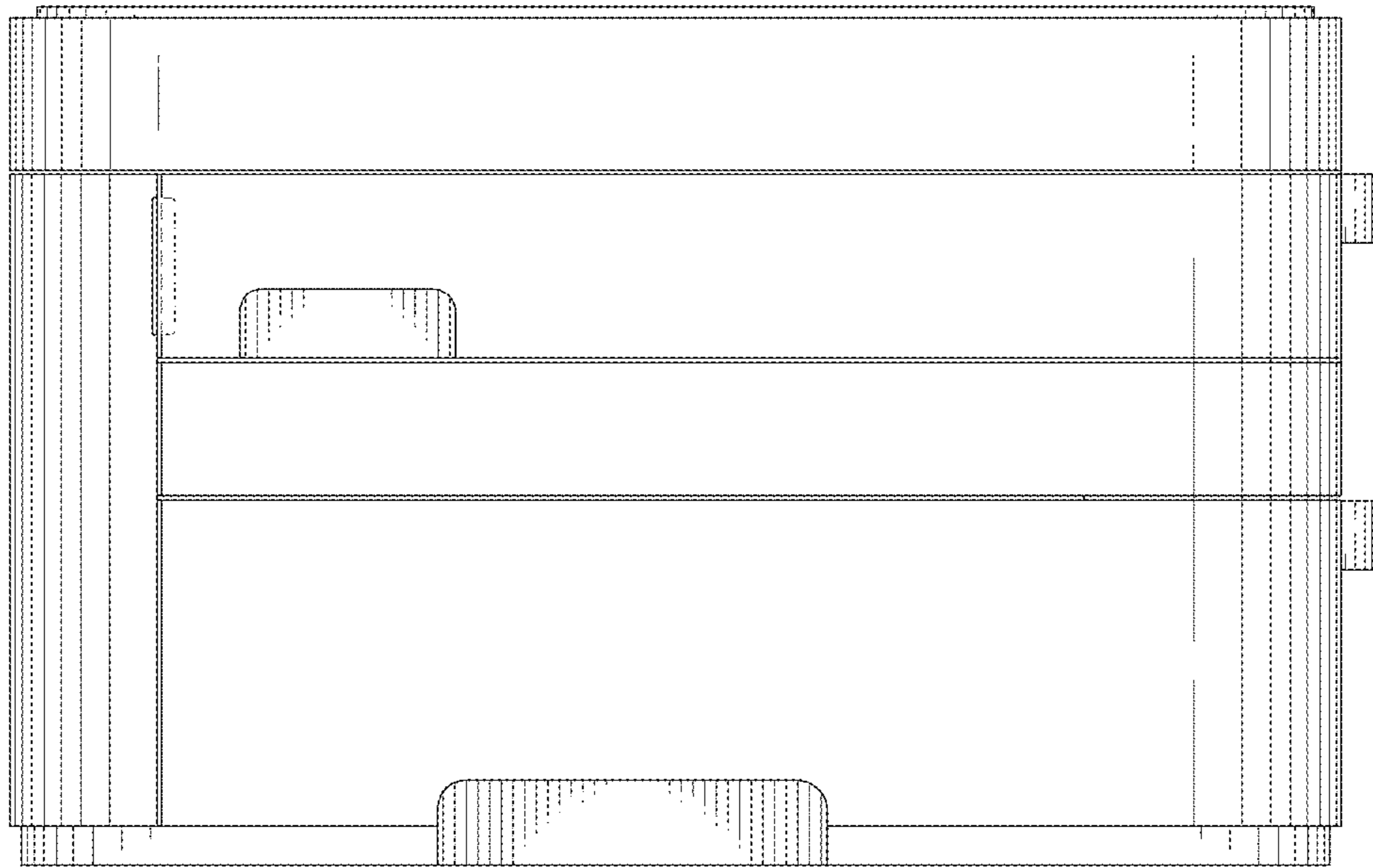


FIG. 4

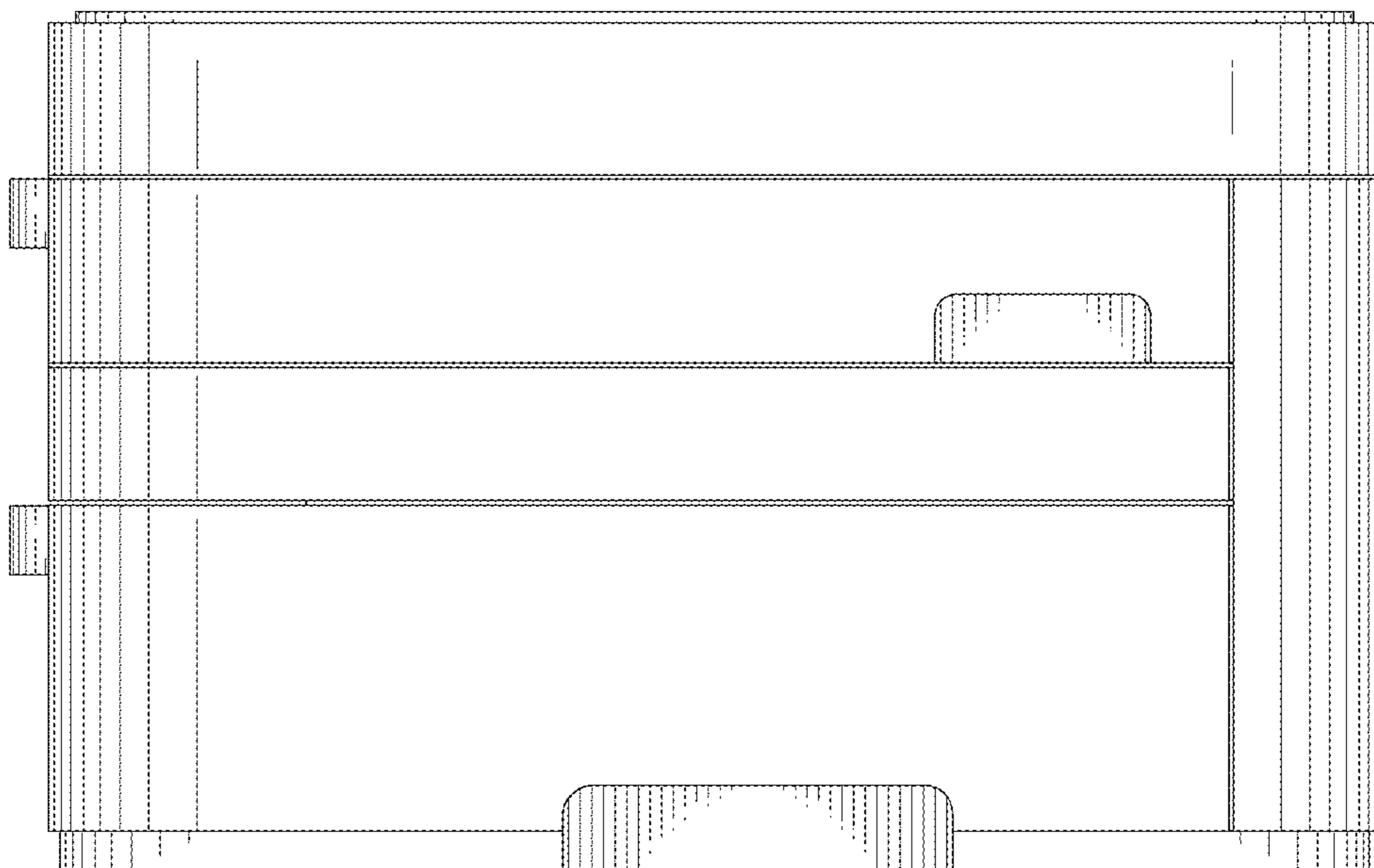


FIG. 5

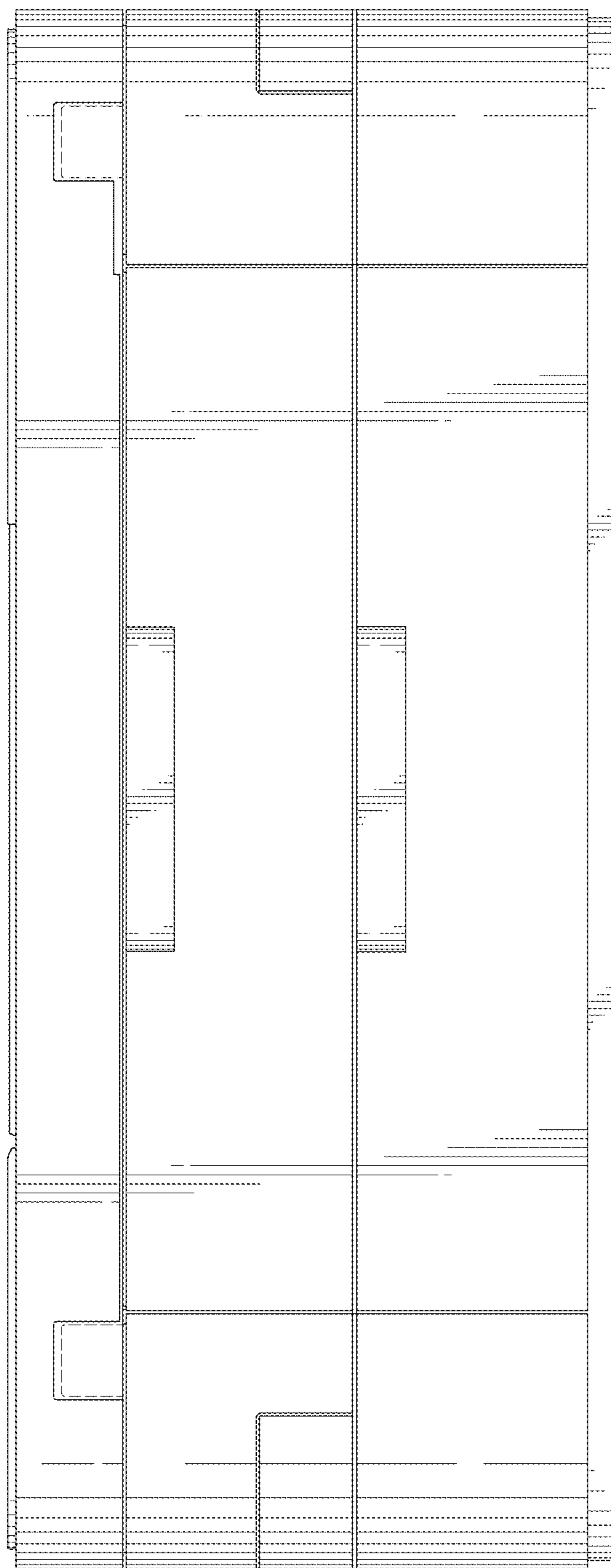


FIG. 6

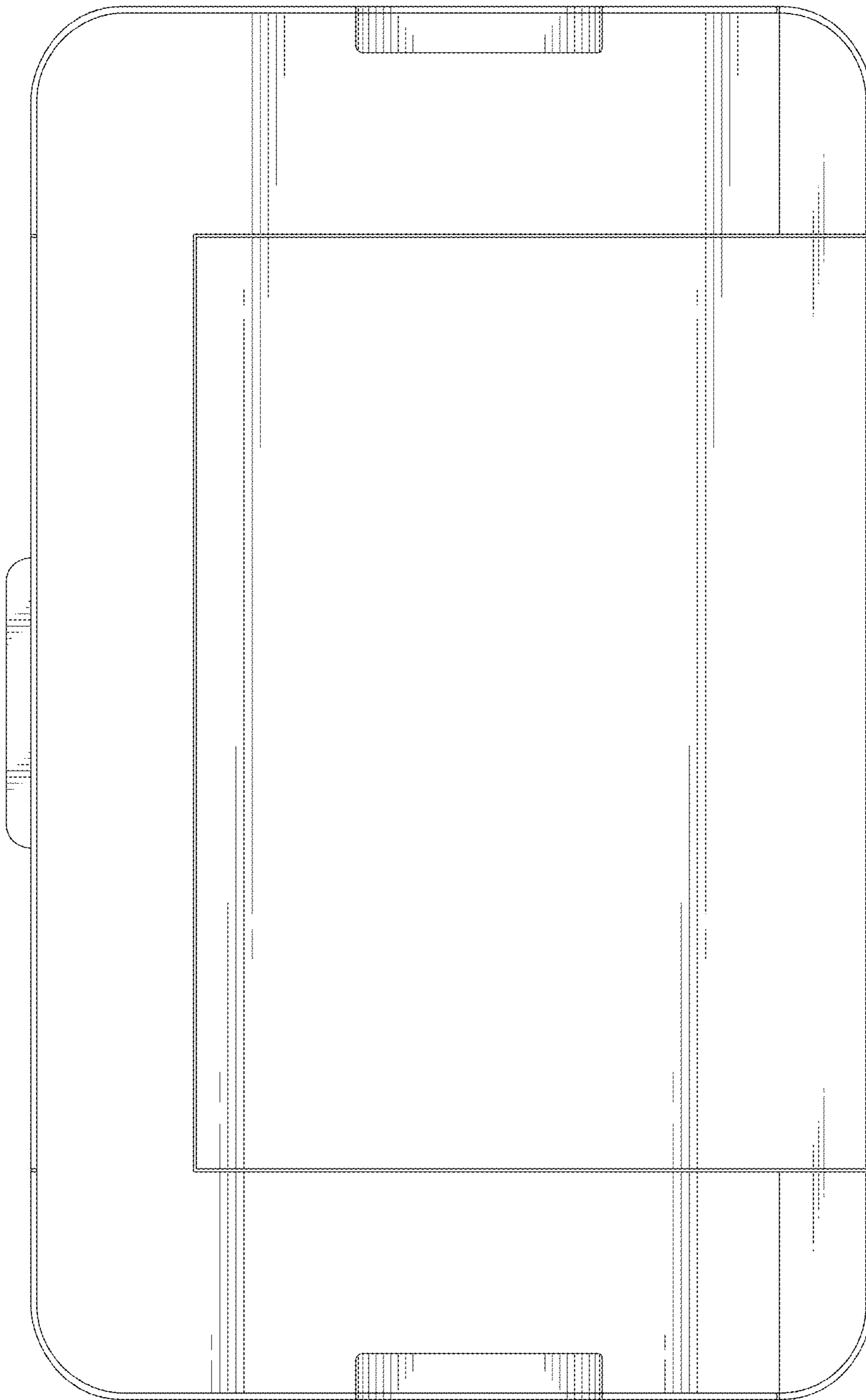


FIG. 7