



US00D744029S

(12) **United States Design Patent**
Oda

(10) **Patent No.:** **US D744,029 S**

(45) **Date of Patent:** **** Nov. 24, 2015**

- (54) **PRINTER**
- (71) Applicant: **Satoshi Oda**, Yokohama (JP)
- (72) Inventor: **Satoshi Oda**, Yokohama (JP)
- (73) Assignee: **RICOH COMPANY, LTD.**, Tokyo (JP)
- (**) Term: **14 Years**
- (21) Appl. No.: **29/483,167**
- (22) Filed: **Feb. 26, 2014**

Related U.S. Application Data

- (62) Division of application No. 29/436,003, filed on Oct. 31, 2012, now Pat. No. Des. 702,759.
- (51) **LOC (10) Cl.** **14-02**
- (52) **U.S. Cl.**
USPC **D18/50**
- (58) **Field of Classification Search**
USPC D18/50, 54, 55; D14/420-426,
D14/462-470; 400/613, 613.1-613.4,
400/690.1-690.4, 691-694
See application file for complete search history.

(56) **References Cited**

U.S. PATENT DOCUMENTS

- D421,043 S 2/2000 Shibata et al.
- D443,637 S 6/2001 Kusanagi et al.
- D456,444 S 4/2002 Falk et al.
- D486,513 S 2/2004 Ohashi
- D497,943 S 11/2004 LaBarbera
- D529,074 S 9/2006 Inoue
- D537,471 S 2/2007 Inoue
- D537,479 S * 2/2007 Alfonso et al. D18/50
- D544,531 S * 6/2007 Yamaguchi D18/50

- D545,356 S 6/2007 Hoshiya et al.
- D556,821 S 12/2007 Horiguchi et al.
- D577,763 S 9/2008 Hidaka et al.
- D616,492 S * 5/2010 Sato D18/50
- D617,374 S * 6/2010 Sasaki et al. D18/50
- D645,897 S 9/2011 Chuang et al.
- D664,192 S 7/2012 Emmenegger et al.
- D682,349 S 5/2013 Iwai et al.

* cited by examiner

Primary Examiner — Cathy Anne MacCormac

(74) *Attorney, Agent, or Firm* — Dickstein Shapiro LLP

(57) **CLAIM**

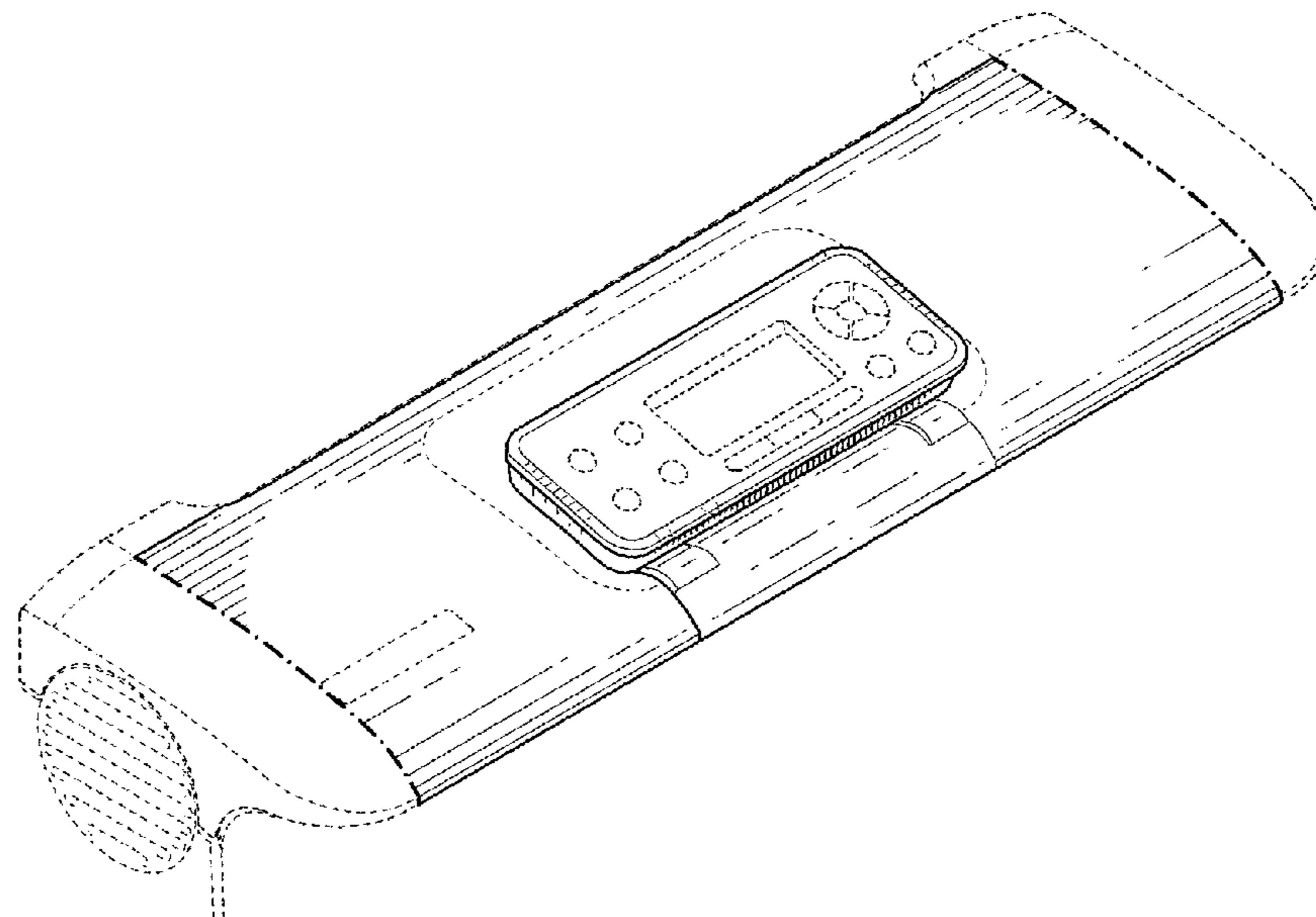
The ornamental design for a printer, as shown and described.

DESCRIPTION

FIG. 1 is a front view of the printer, showing the new design; FIG. 2 is a rear view of the printer; FIG. 3 is a left side view thereof; FIG. 4 is a right side view thereof; FIG. 5 is a top view thereof; FIG. 6 is a bottom view thereof; FIG. 7 is a front, left side, and top perspective view of the printer; FIG. 8 is a partial, enlarged, front, left side, and top perspective view thereof; FIG. 9 is a partial, enlarged, top view thereof; FIG. 10 is a partial, enlarged, front view thereof; and, FIG. 11 is a partial, enlarged, left side view thereof.

The chain-dot-chain lines in FIGS. 1, 3-5, and 7-11 represent the bounds of the claims; depict environmental subject matter, are shown for illustration only, and form no part of the claimed design. The broken lines that represent the printer depict environmental subject matter, are shown for illustration only, and form no part of the claimed design.

1 Claim, 7 Drawing Sheets



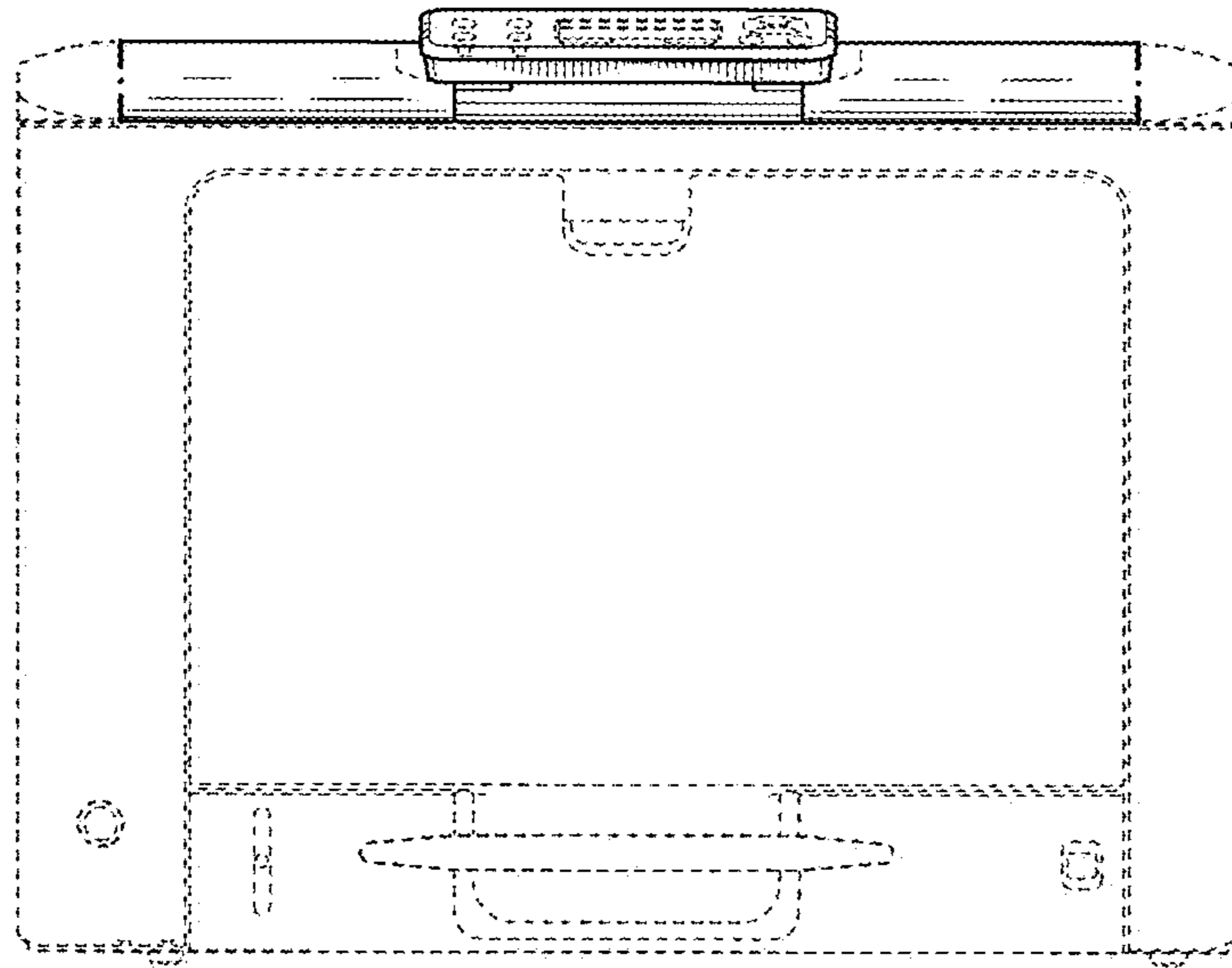


FIG. 1

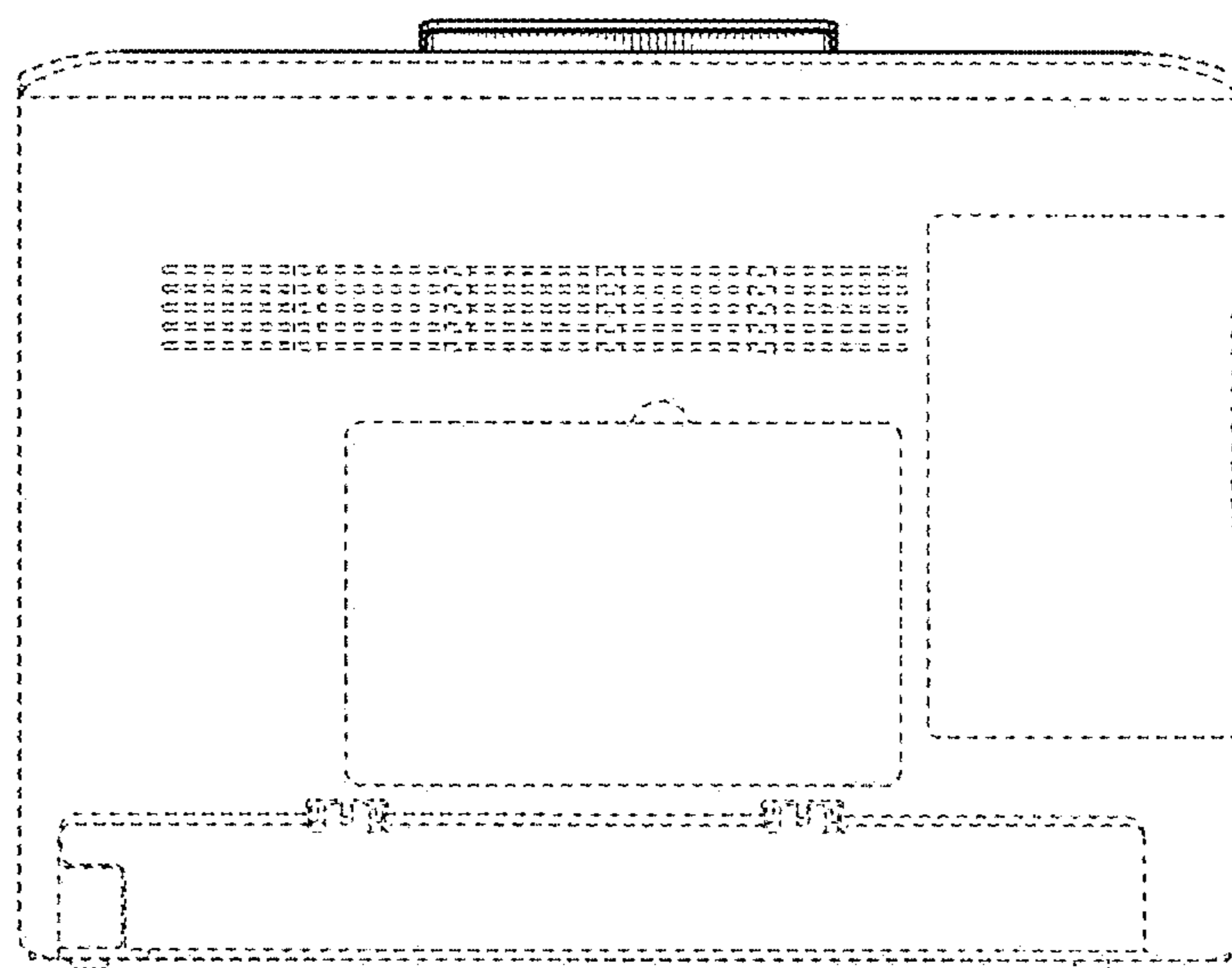


FIG. 2

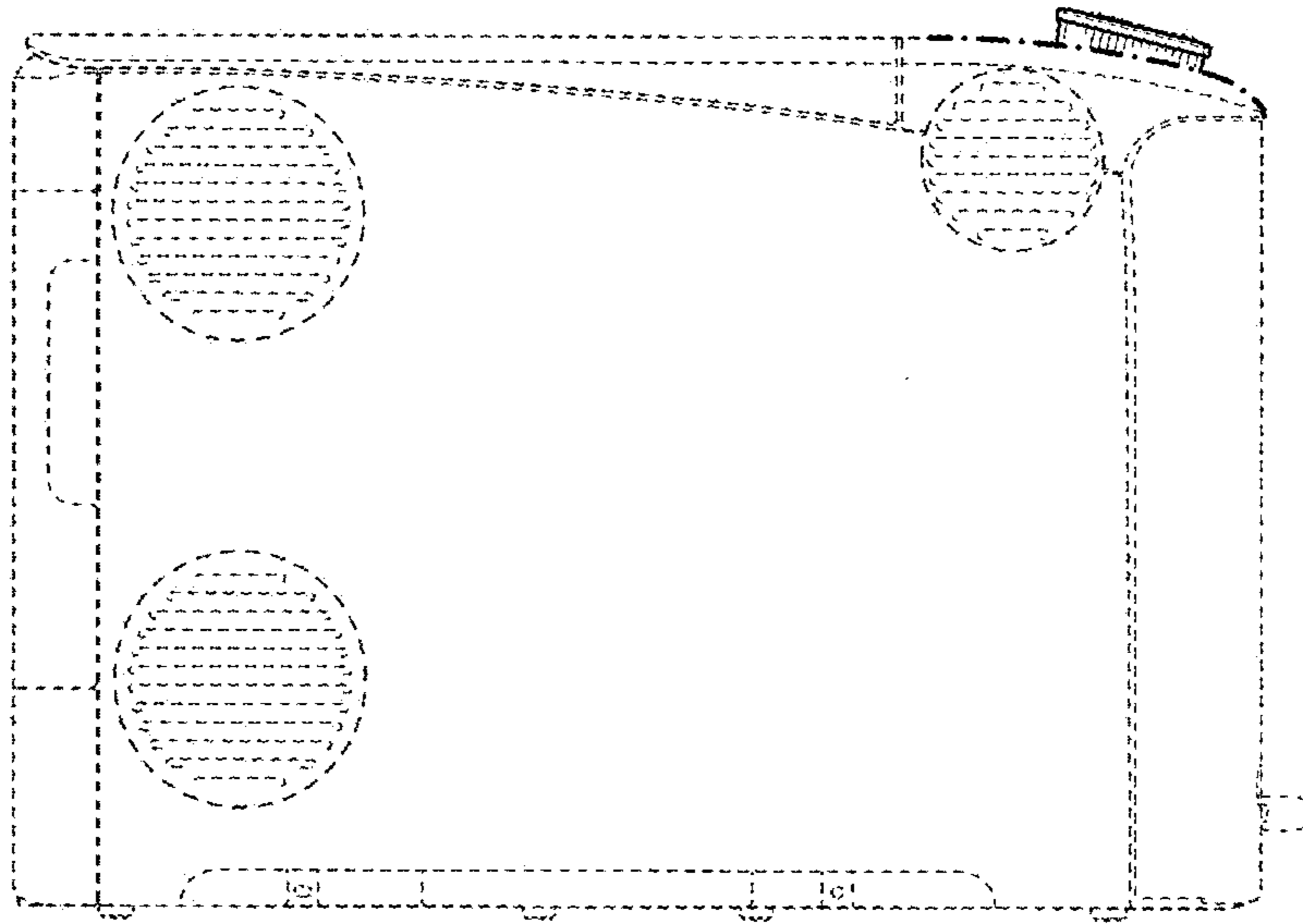


FIG. 3

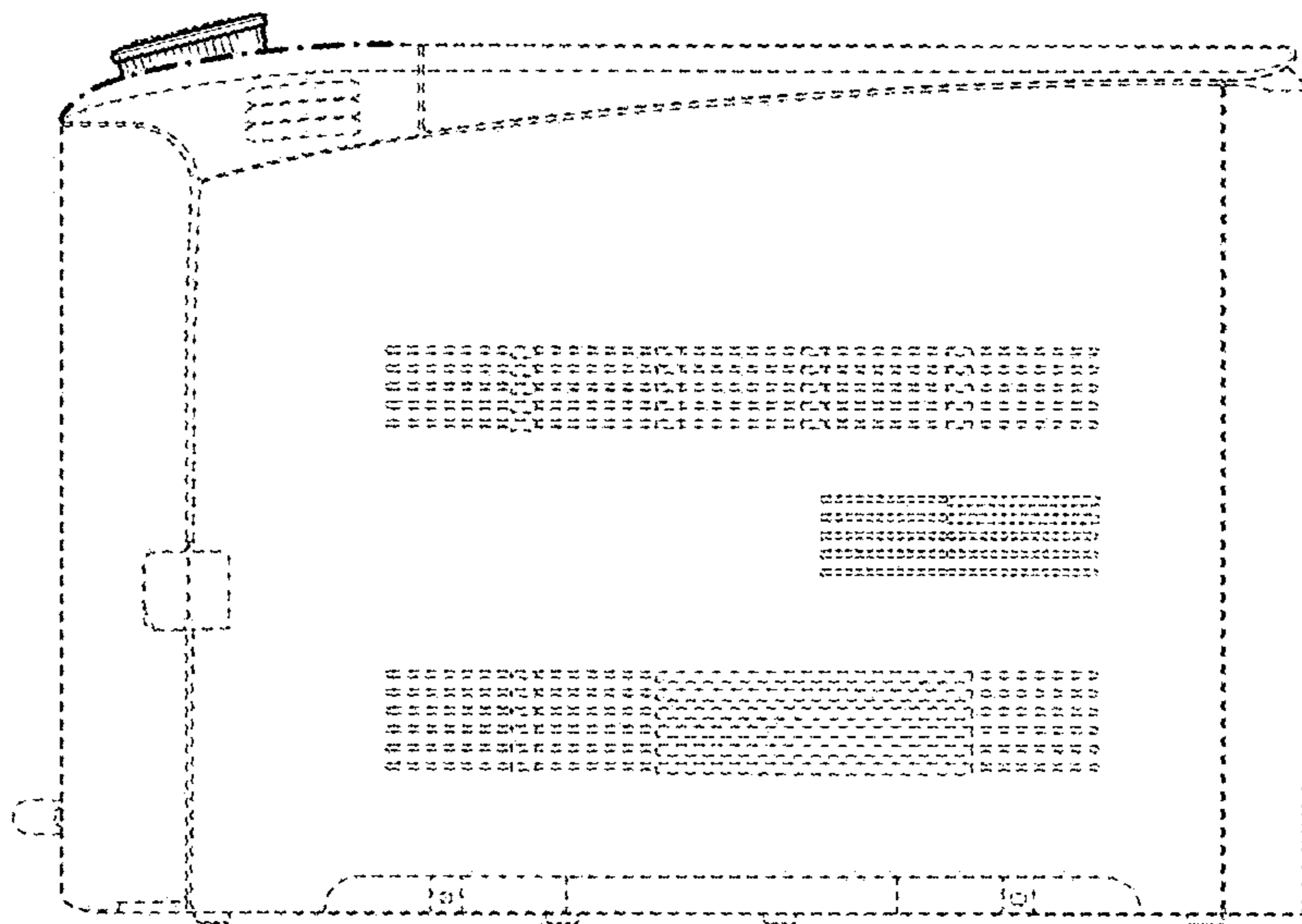


FIG. 4

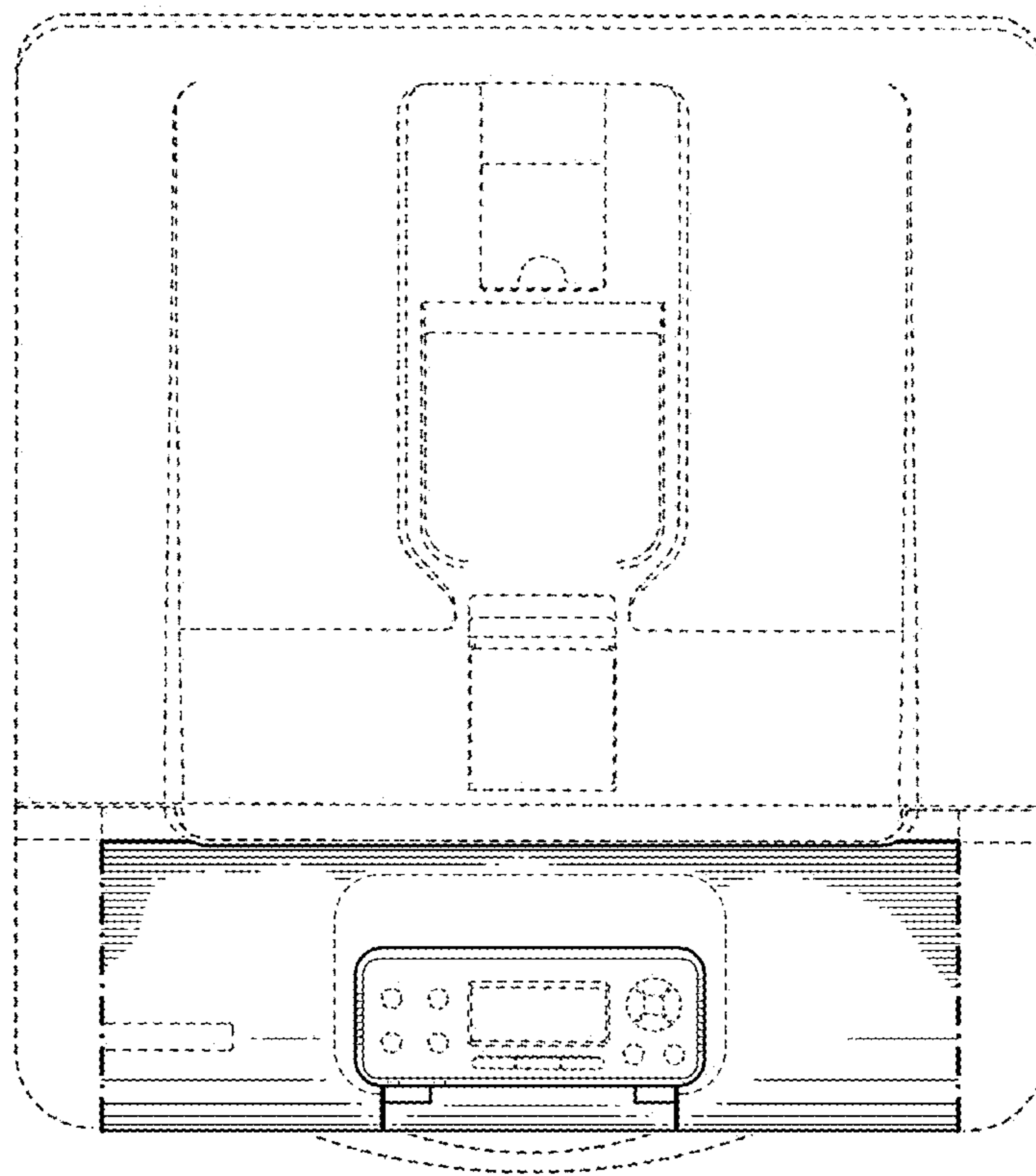


FIG. 5

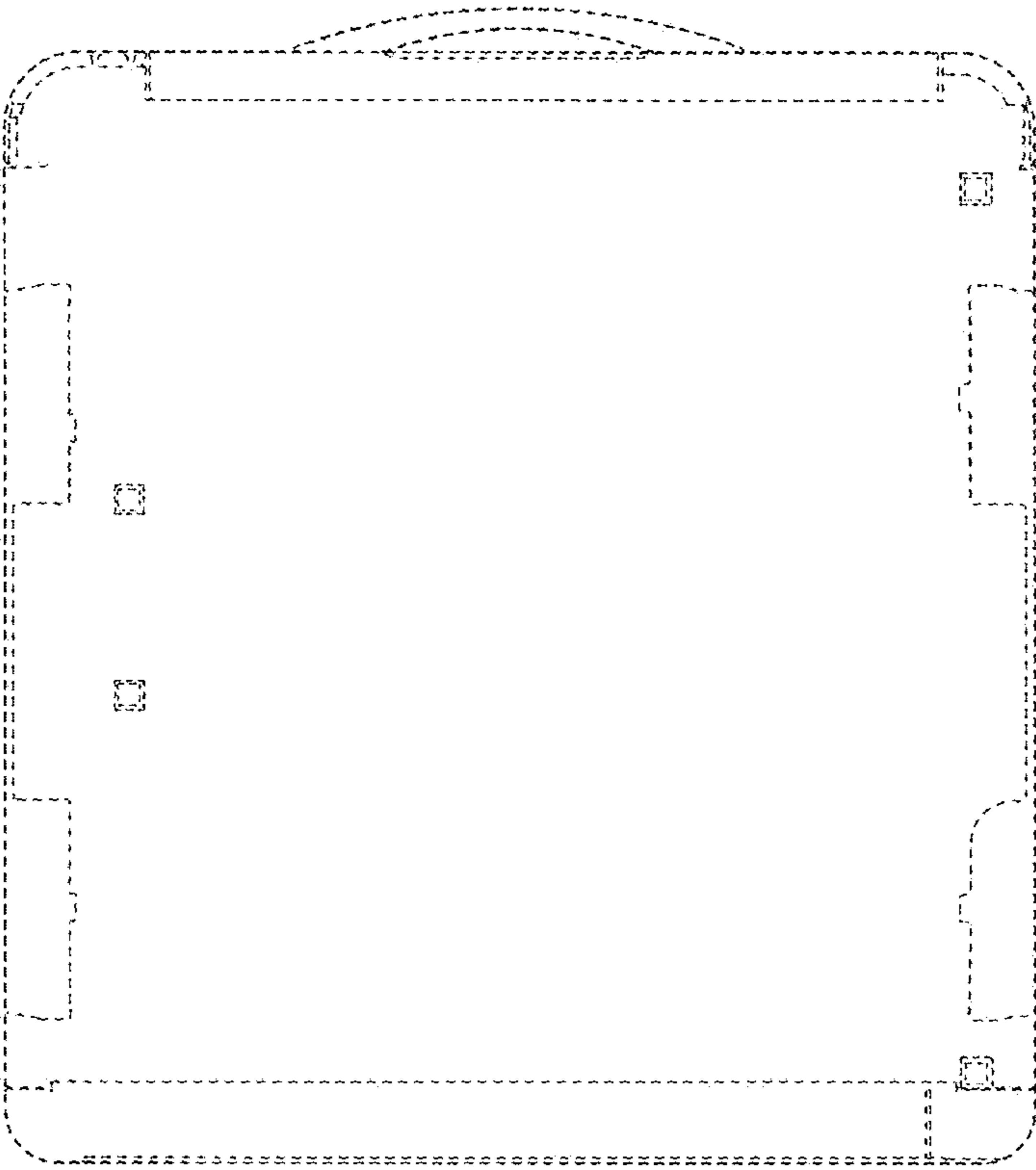


FIG. 6

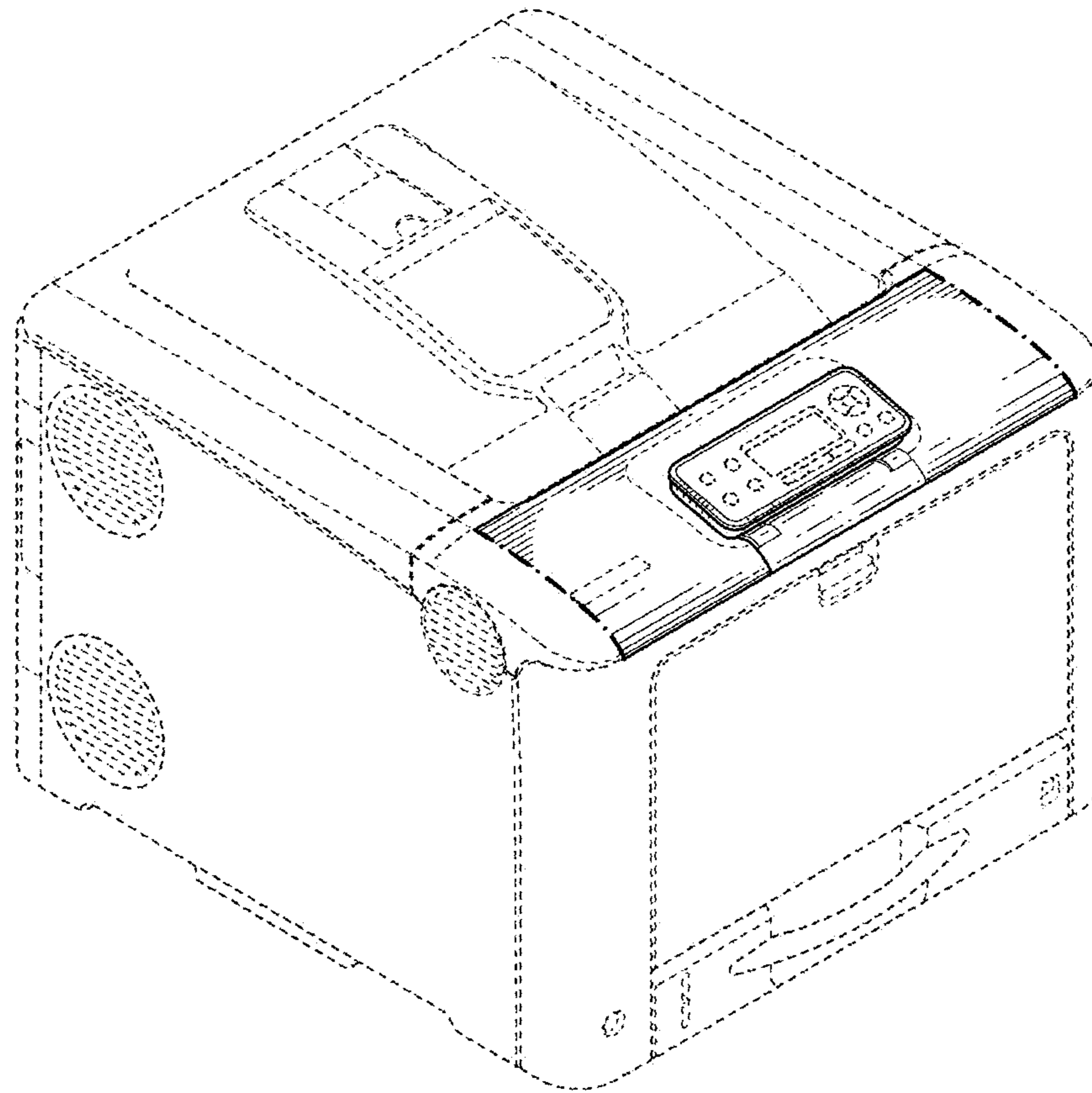


FIG. 7

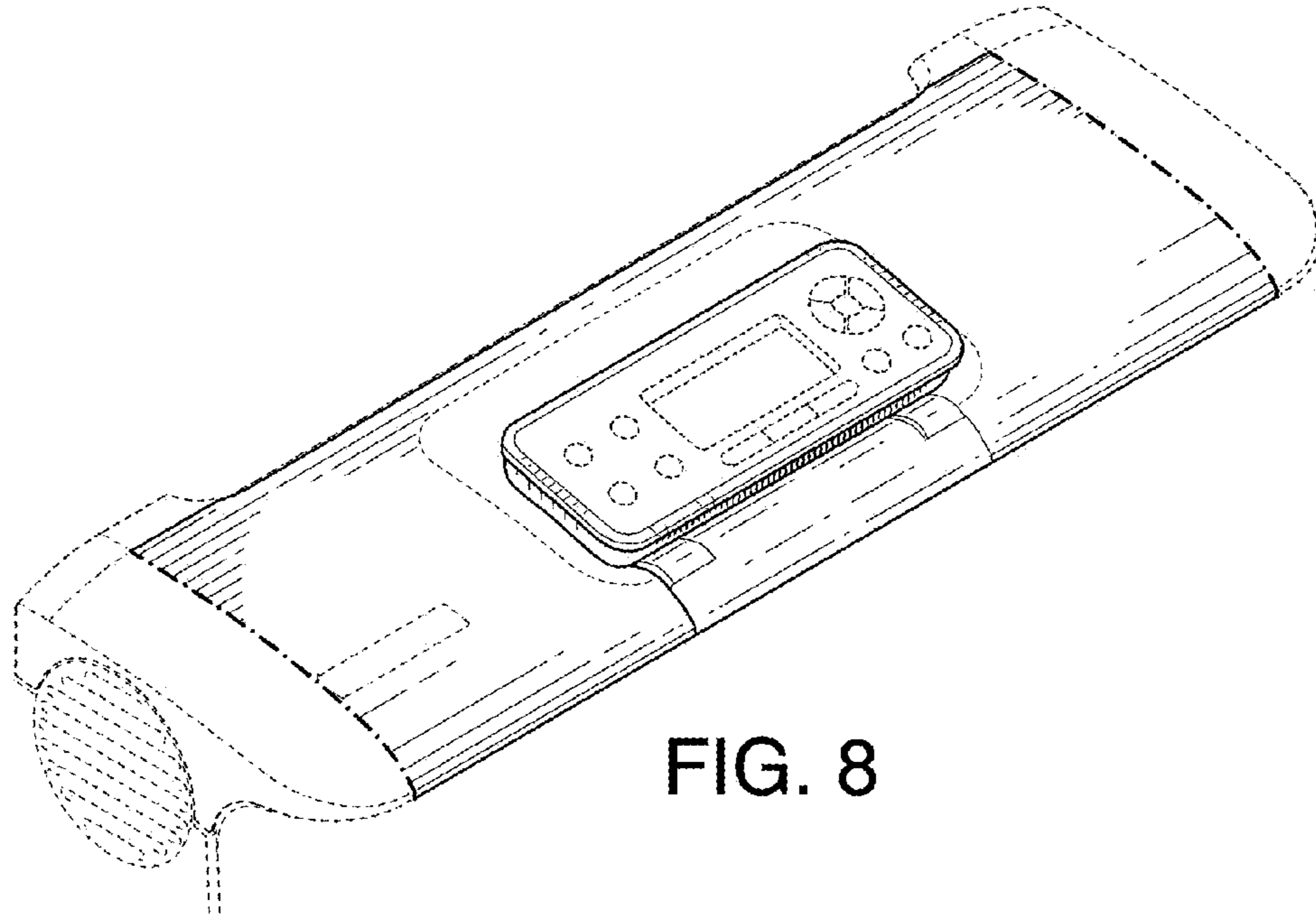


FIG. 8

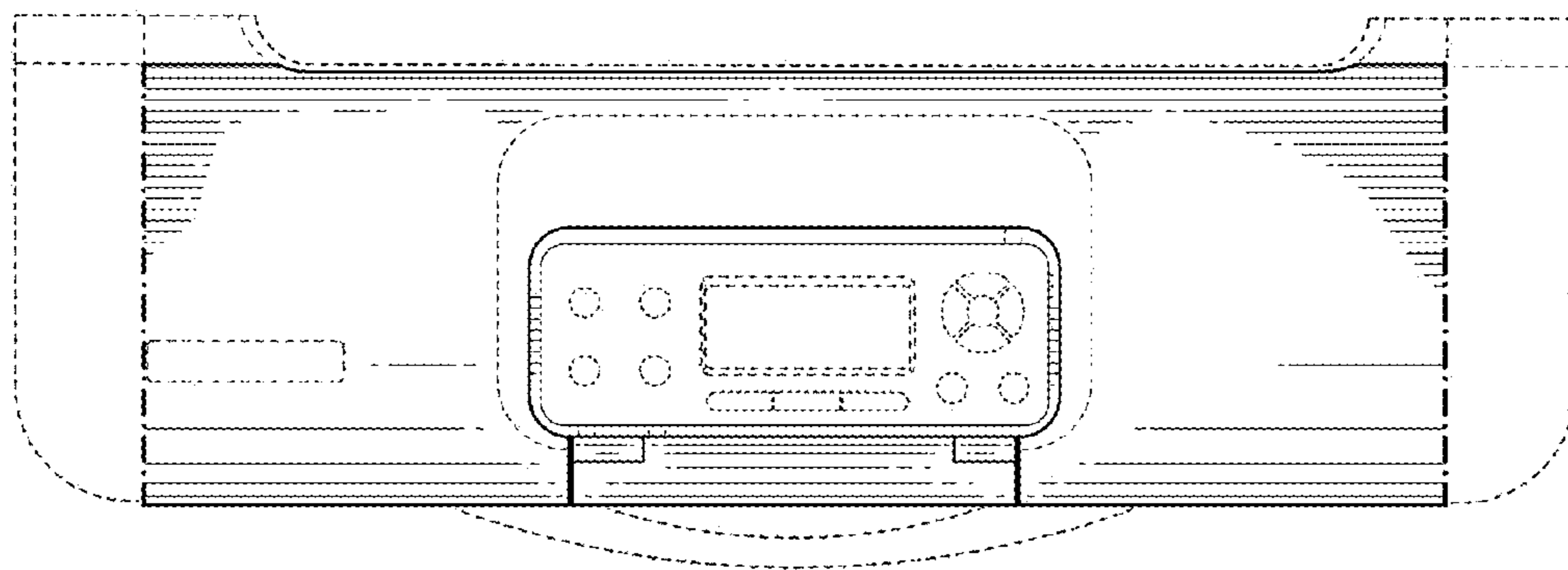


FIG. 9

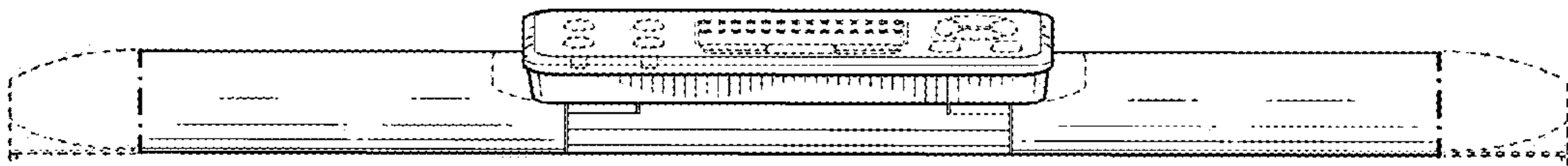


FIG. 10

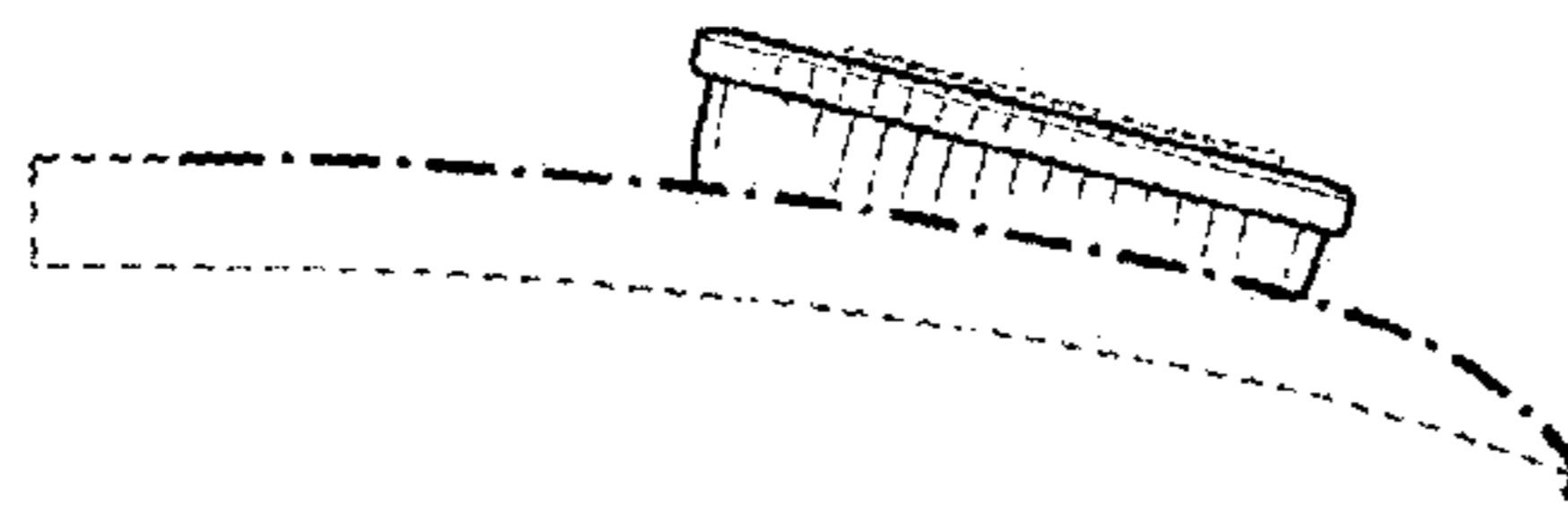


FIG. 11