



US00D744026S

(12) **United States Design Patent**
Fujita et al.

(10) **Patent No.:** **US D744,026 S**
(45) **Date of Patent:** **** Nov. 24, 2015**

- (54) **DIGITAL CAMERA**
- (71) Applicant: **Nikon Corporation**, Tokyo (JP)
- (72) Inventors: **Chikara Fujita**, Tokyo (JP); **Tatsuya Kobayashi**, Tokyo (JP)
- (73) Assignee: **Nikon Corporation**, Tokyo (JP)
- (**) Term: **14 Years**
- (21) Appl. No.: **29/512,948**
- (22) Filed: **Dec. 23, 2014**

D669,110 S	10/2012	Noh	
D669,928 S	10/2012	Noh	
D671,582 S *	11/2012	Jang et al.	D16/202
D677,296 S	3/2013	Fujita et al.	
D677,704 S *	3/2013	Sul	D16/202
D684,203 S	6/2013	Uemachi	
D684,204 S	6/2013	Uemachi	
D689,111 S	9/2013	Kobayashi	
D689,535 S	9/2013	Nojima	
D695,329 S	12/2013	Fujita et al.	
D695,805 S *	12/2013	Sakai	D16/202
D701,551 S *	3/2014	Inoue	D16/202
D702,748 S	4/2014	Muraki et al.	

(Continued)

Related U.S. Application Data

- (62) Division of application No. 29/428,053, filed on Jul. 25, 2012, now Pat. No. Des. 727,392.

Foreign Application Priority Data

- Jan. 31, 2012 (JP) 2012-001928
- Jan. 31, 2012 (JP) 2012-001935

- (51) **LOC (10) Cl.** **16-05**
- (52) **U.S. Cl.**
USPC **D16/219**

- (58) **Field of Classification Search**
USPC D16/200, 202–206, 208, 212, 218, 219;
D3/267; 348/373–376; 396/535,
396/539–541
CPC G03B 15/03; G03B 17/02; G03B 17/04;
G03B 17/56; G03B 19/04; H04N 5/2251;
H04N 5/2252; H04N 5/2253; H04N 5/2254;
H04N 2101/00
See application file for complete search history.

(56) **References Cited**

U.S. PATENT DOCUMENTS

- D568,362 S 5/2008 Horikiri et al.
- 7,929,859 B2 4/2011 Saiki

FOREIGN PATENT DOCUMENTS

JP 1448095 8/2012

Primary Examiner — Adir Aronovich
Assistant Examiner — Ramzi Almatrahi
 (74) *Attorney, Agent, or Firm* — Wolf, Greenfield & Sacks, P.C.

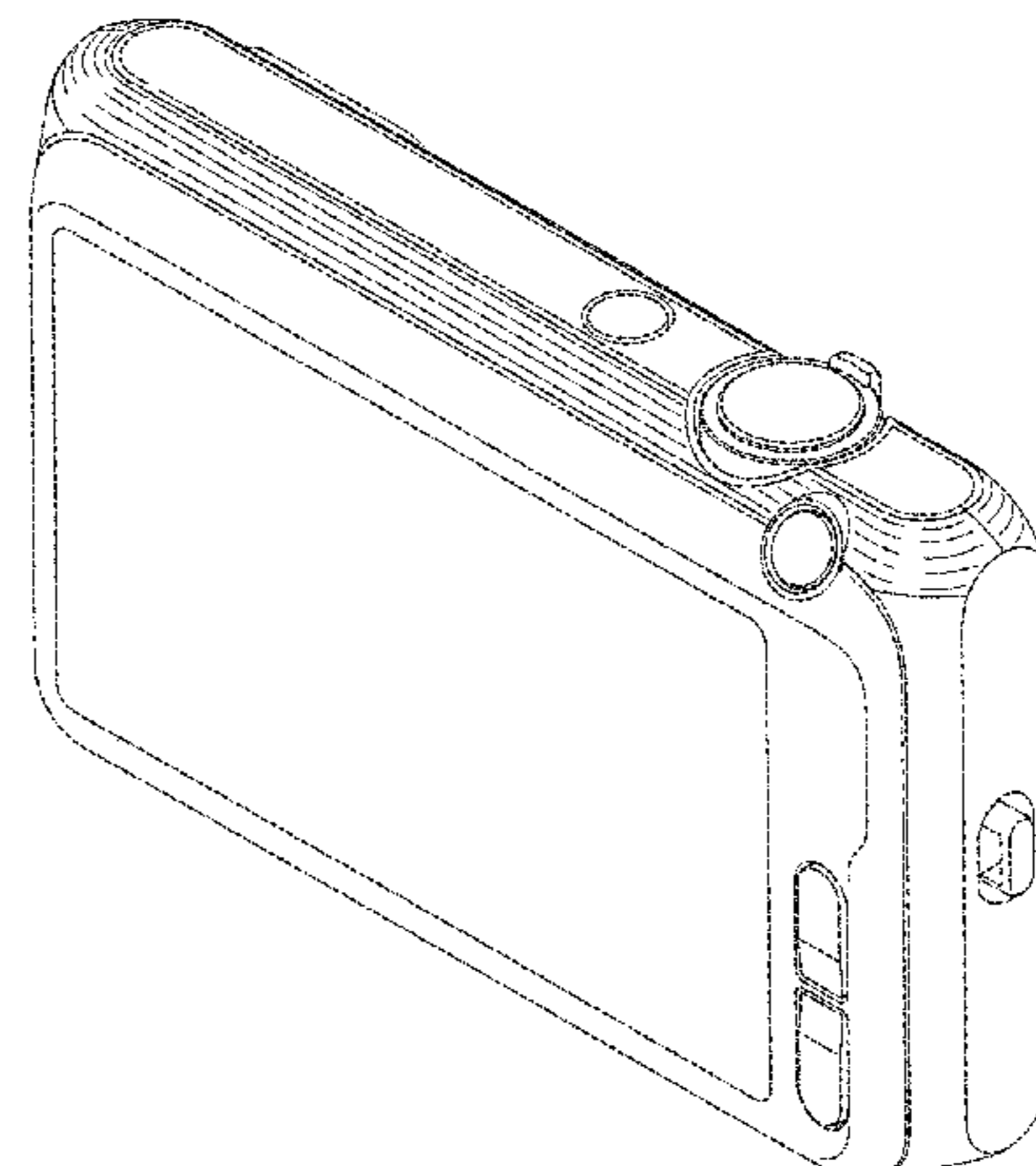
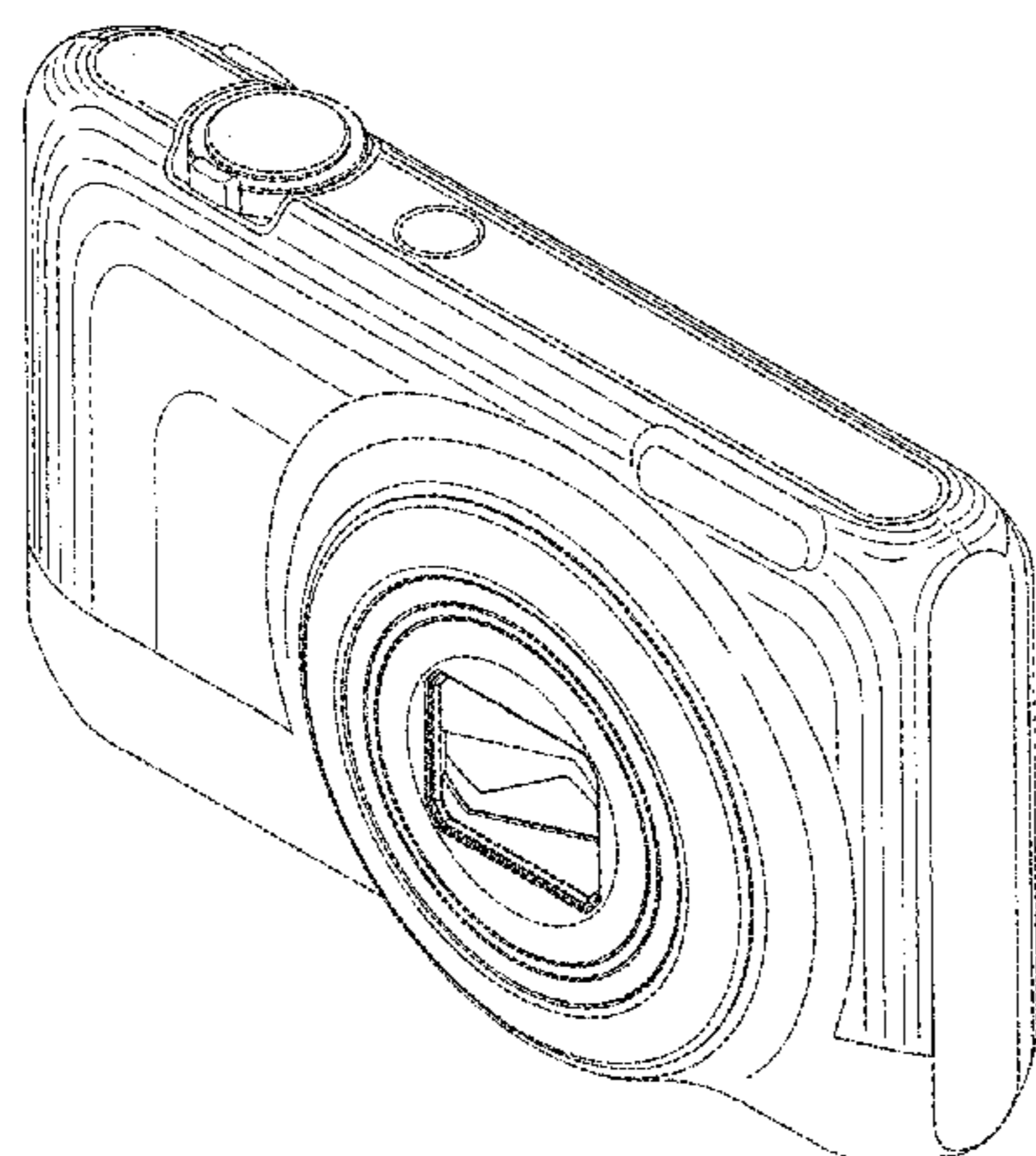
(57) **CLAIM**

The ornamental design for a digital camera, as shown and described.

DESCRIPTION

FIG. 1 is a front perspective view of a digital camera showing our new design;
 FIG. 2 is a rear perspective view thereof;
 FIG. 3 is a front elevational view thereof;
 FIG. 4 is a rear elevational view thereof;
 FIG. 5 is a top plan view thereof;
 FIG. 6 is a bottom plan view thereof;
 FIG. 7 is a right side elevational view thereof; and,
 FIG. 8 is a left side elevational view thereof.
 The features shown in broken lines in the drawings depict environmental subject matter only and form no part of the claimed design. The dot-dashed lines denote the boundary of the claim, and form no part of the claimed design.

1 Claim, 8 Drawing Sheets



US D744,026 S

Page 2

(56)

References Cited

U.S. PATENT DOCUMENTS

D710,923 S *	8/2014	Watanabe	D16/202
D712,950 S *	9/2014	Kwon et al.	D16/202
D717,353 S *	11/2014	Kobayashi et al.	D16/202
D707,742 S *	6/2014	Imamizu	D16/202

* cited by examiner

FIG. 1

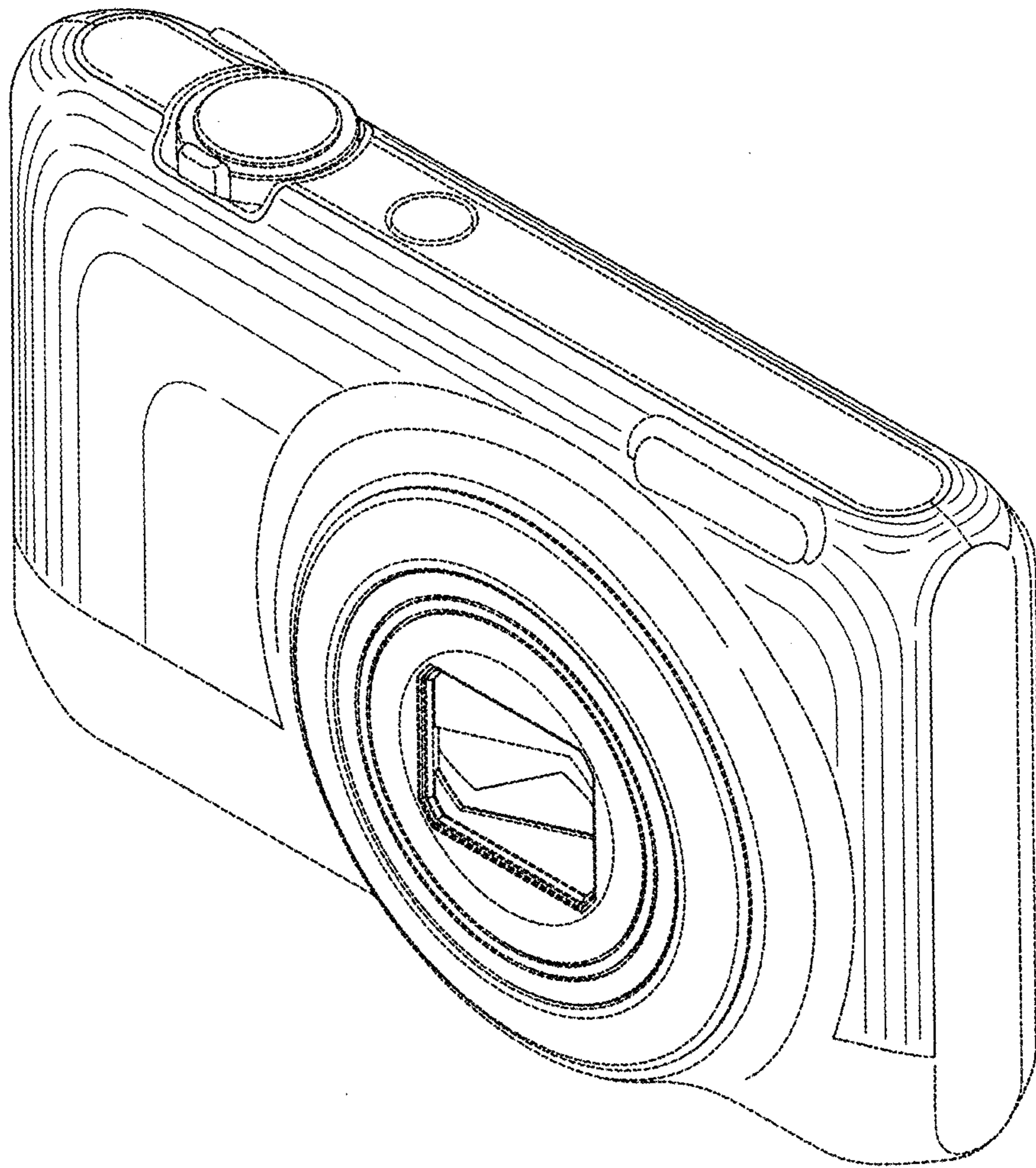


FIG. 2

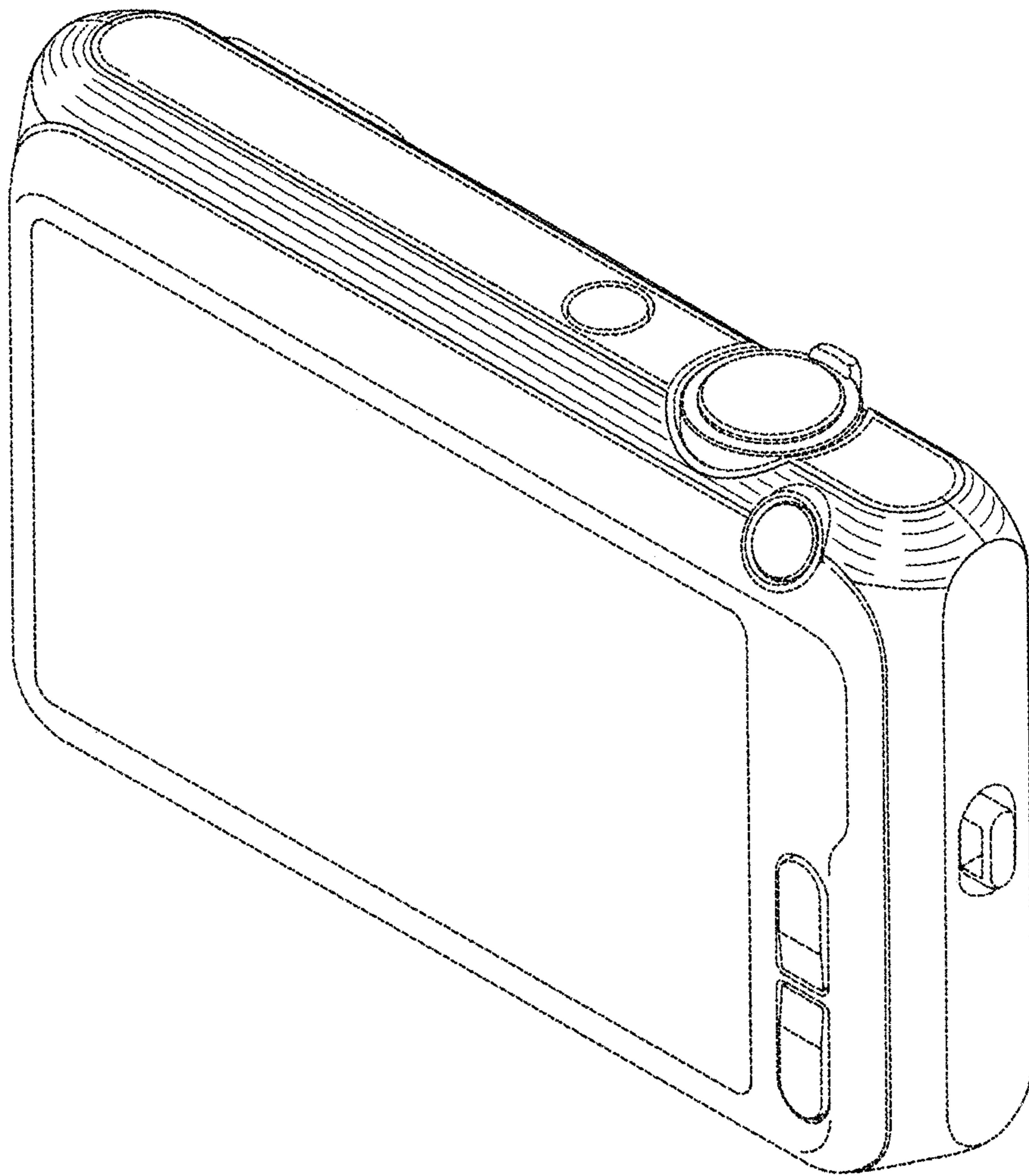


FIG. 3

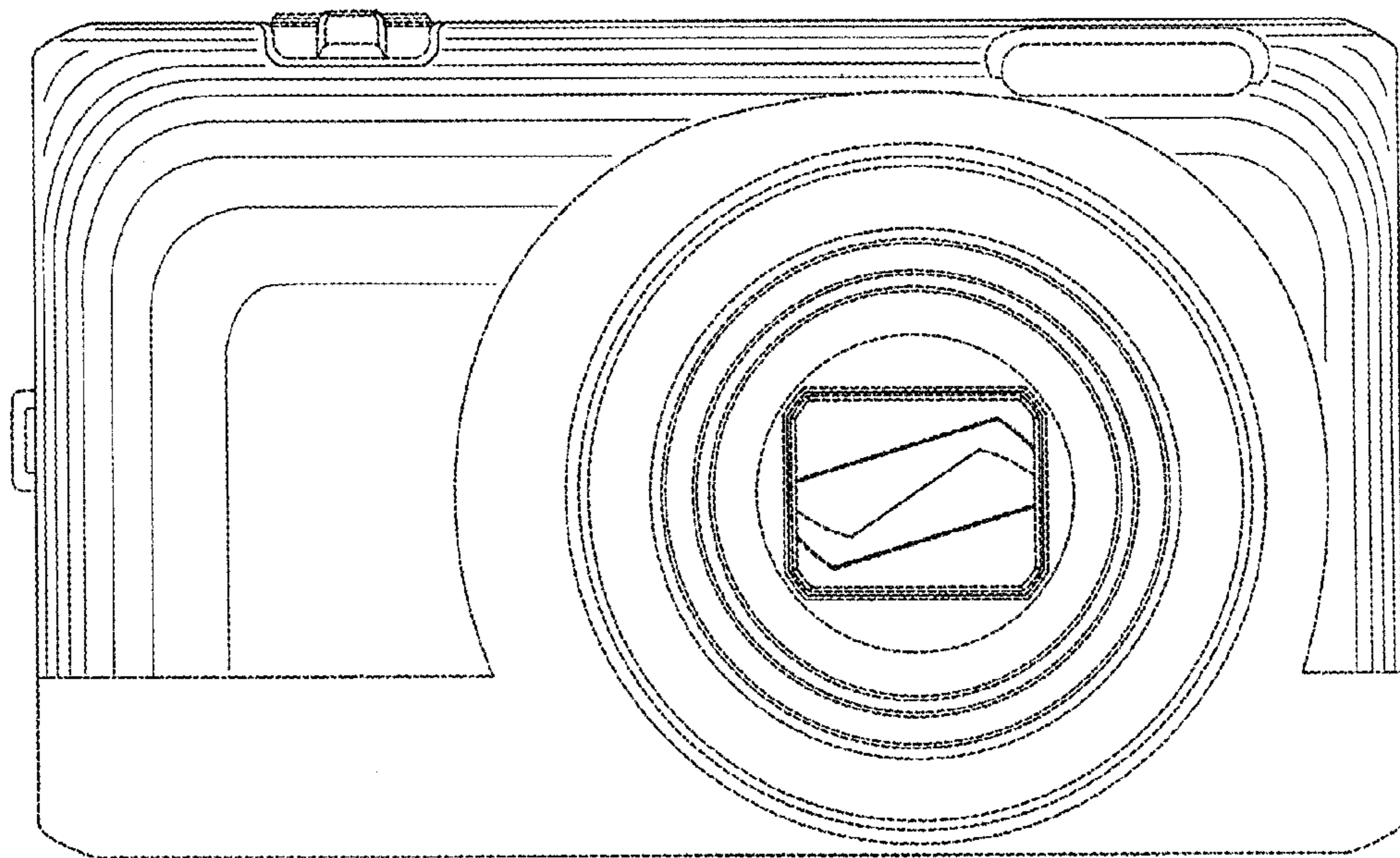


FIG. 4

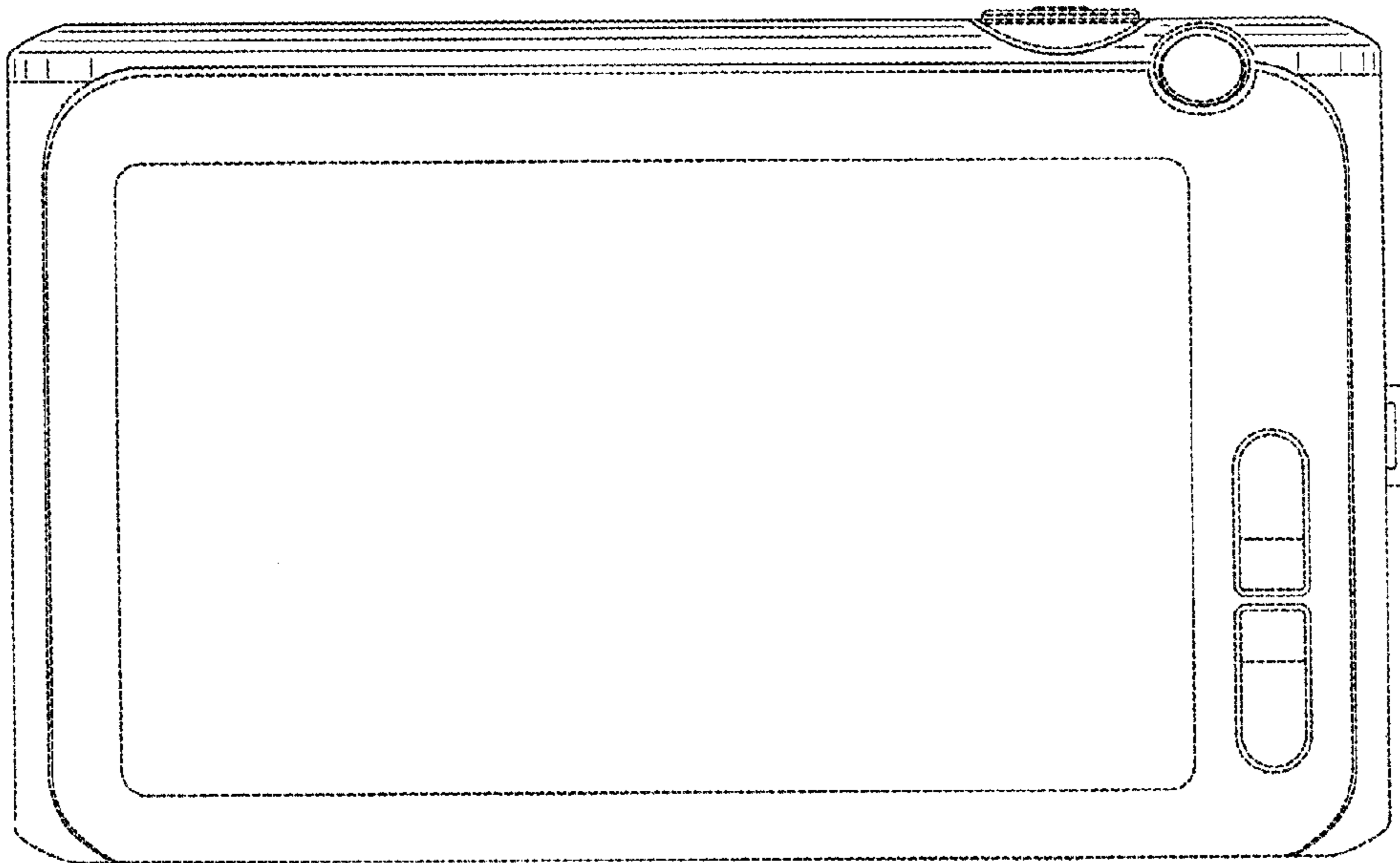


FIG. 5

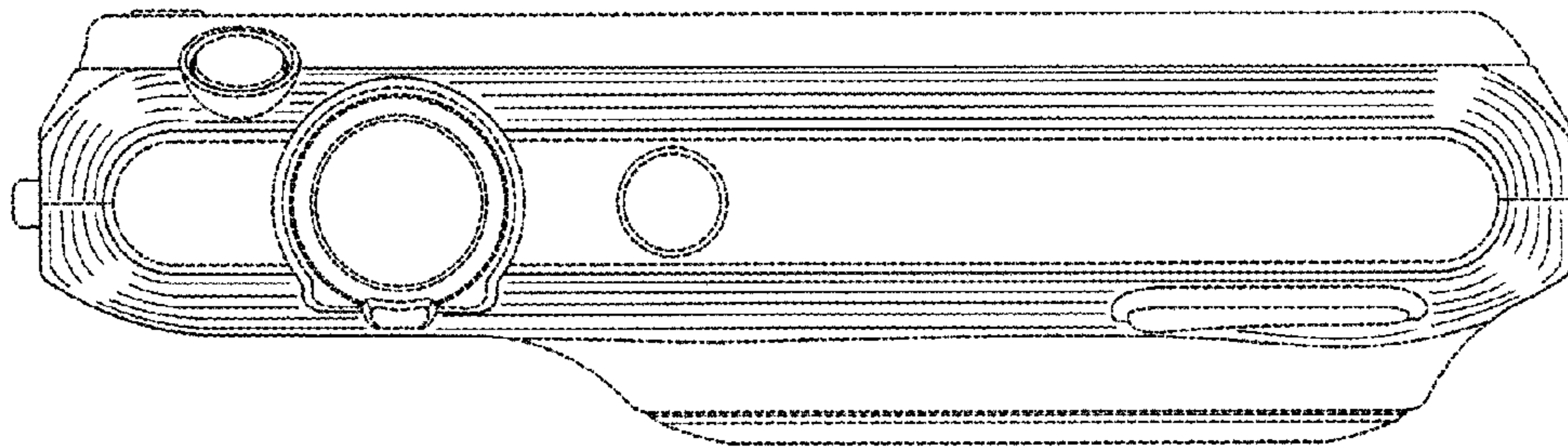


FIG. 6

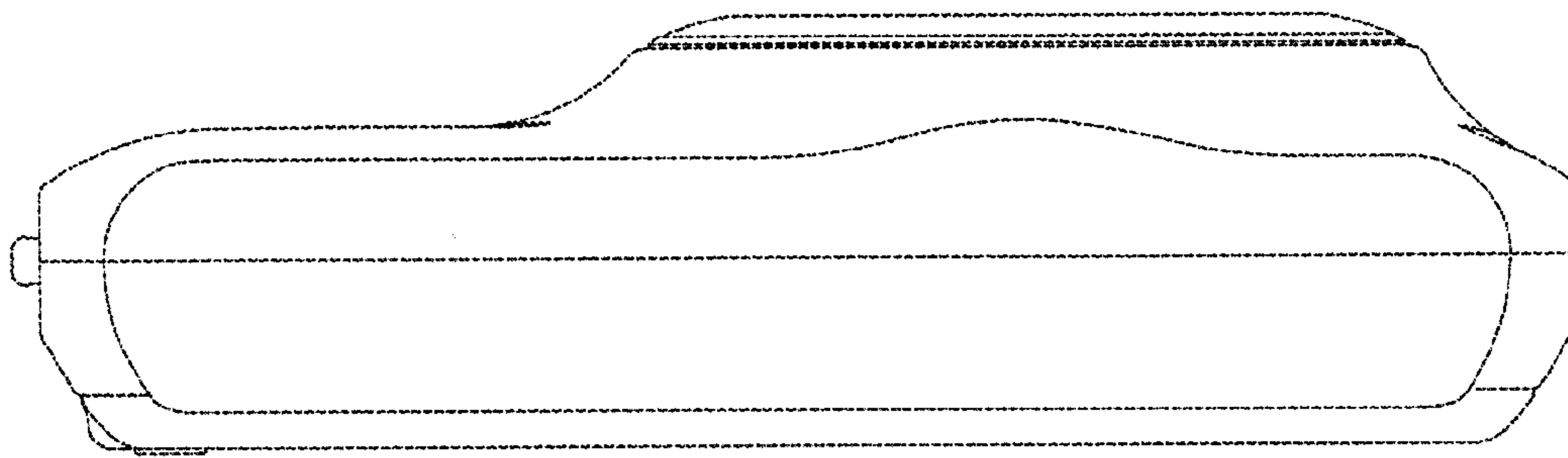


FIG. 7

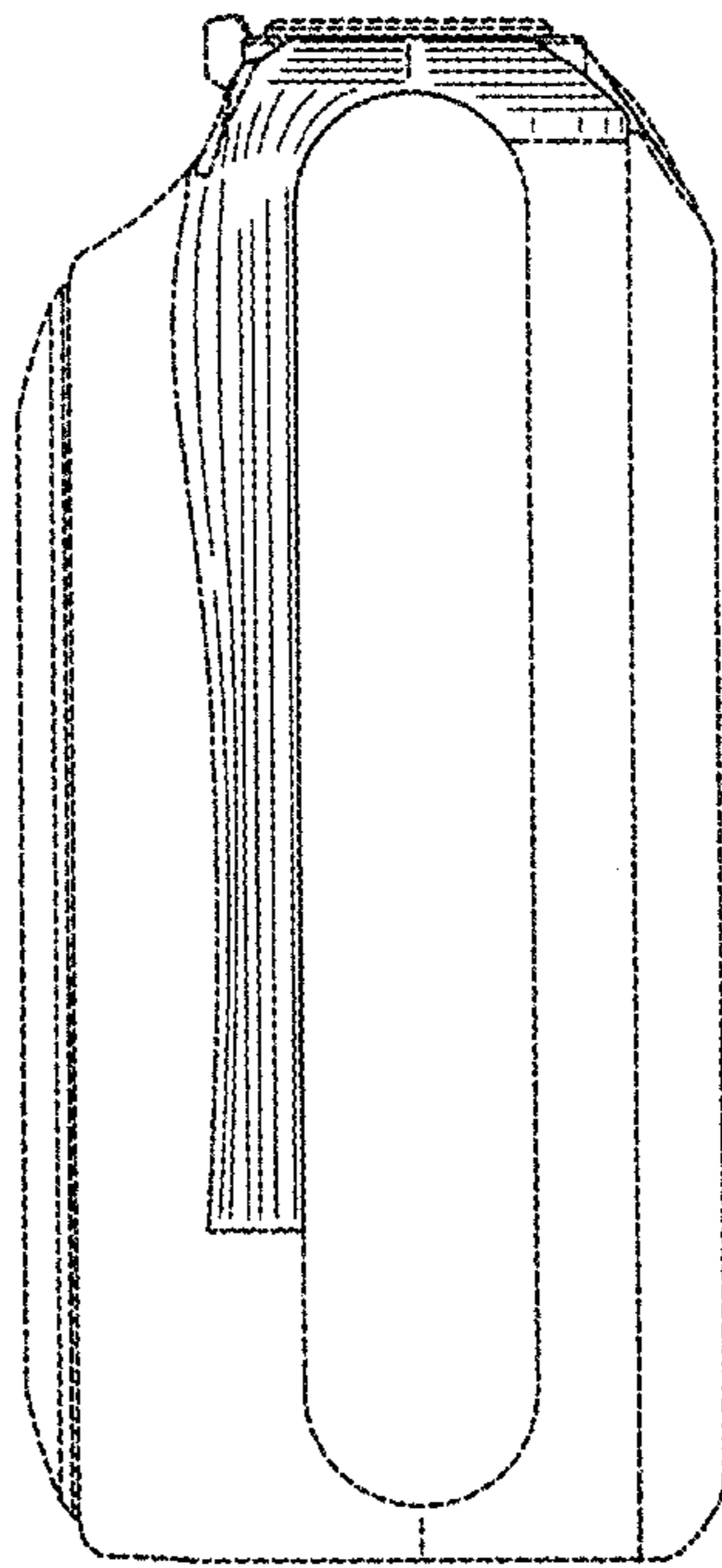


FIG. 8

