



US00D744025S

(12) **United States Design Patent**  
**Oh**

(10) **Patent No.:** **US D744,025 S**

(45) **Date of Patent:** **\*\* Nov. 24, 2015**

(54) **LENS FOR CAMERA**

(71) Applicant: **Samsung Electronics Co., Ltd.**,  
Suwon-si, Gyeonggi-do (KR)

(72) Inventor: **San-Hui Oh**, Seoul (KR)

(73) Assignee: **SAMSUNG ELECTRONICS CO., LTD.** (KR)

(\*\*) Term: **14 Years**

(21) Appl. No.: **29/497,215**

(22) Filed: **Jul. 22, 2014**

(30) **Foreign Application Priority Data**

Jan. 29, 2014 (KR) ..... 30-2014-0004928

(51) **LOC (10) Cl.** ..... **16-05**

(52) **U.S. Cl.**  
USPC ..... **D16/219**; D16/134

(58) **Field of Classification Search**  
USPC ..... D16/134, 136, 200, 202-206, 218, 219,  
D16/242; 348/373-376; 359/819, 826-828;  
396/529-532, 535, 539-541  
CPC ..... G03B 17/02; G03B 19/04; G03B 17/56;  
G03B 17/04; G03B 15/03; G03B 17/14;  
H04N 5/2251; H04N 5/2252; H04N 5/2253;  
H04N 5/2254; G02B 7/02; G02B 7/04;  
G02B 7/14

See application file for complete search history.

(56) **References Cited**

**U.S. PATENT DOCUMENTS**

D337,775 S \* 7/1993 Takahashi ..... D16/134  
D337,777 S \* 7/1993 Takahashi ..... D16/134  
D338,219 S \* 8/1993 Takahashi ..... D16/134

D356,805 S \* 3/1995 Takahashi ..... D16/134  
D407,728 S \* 4/1999 Miyamoto ..... D16/134  
D440,997 S \* 4/2001 Watanabe ..... D16/134  
D441,382 S \* 5/2001 Konno et al. .... D16/134  
6,377,408 B1 \* 4/2002 Shinohara ..... 359/826  
6,791,770 B2 \* 9/2004 Yamazaki et al. .... 359/819  
D573,167 S \* 7/2008 Kitera ..... D16/134  
D583,847 S \* 12/2008 Watanabe ..... D16/219  
8,363,343 B2 \* 1/2013 Takahashi ..... 359/826  
D717,356 S \* 11/2014 Nikaido ..... D16/219

\* cited by examiner

*Primary Examiner* — Adir Aronovich

*Assistant Examiner* — Ramzi Almatrahi

(74) *Attorney, Agent, or Firm* — Cantor Colburn LLP

(57) **CLAIM**

The ornamental design for a lens for camera, as shown and described.

**DESCRIPTION**

FIG. 1 is a top front perspective view of a lens for camera showing my new design;  
FIG. 2 is a front elevation view thereof;  
FIG. 3 is a rear elevation view thereof;  
FIG. 4 is a left side elevation view thereof;  
FIG. 5 is a right side elevation view thereof;  
FIG. 6 is a top plan view thereof;  
FIG. 7 is a bottom plan view thereof; and,  
FIG. 8 is a reduced top front perspective view thereof, shown in condition of use with a camera body disclosed in broken lines to illustrate an environment.

The broken lines depict portions of a lens for camera in which the design is embodied and form no part of the claimed design. The broken lines showing a camera body in FIG. 8 represent environmental structure and form no part of the claimed design.

**1 Claim, 5 Drawing Sheets**

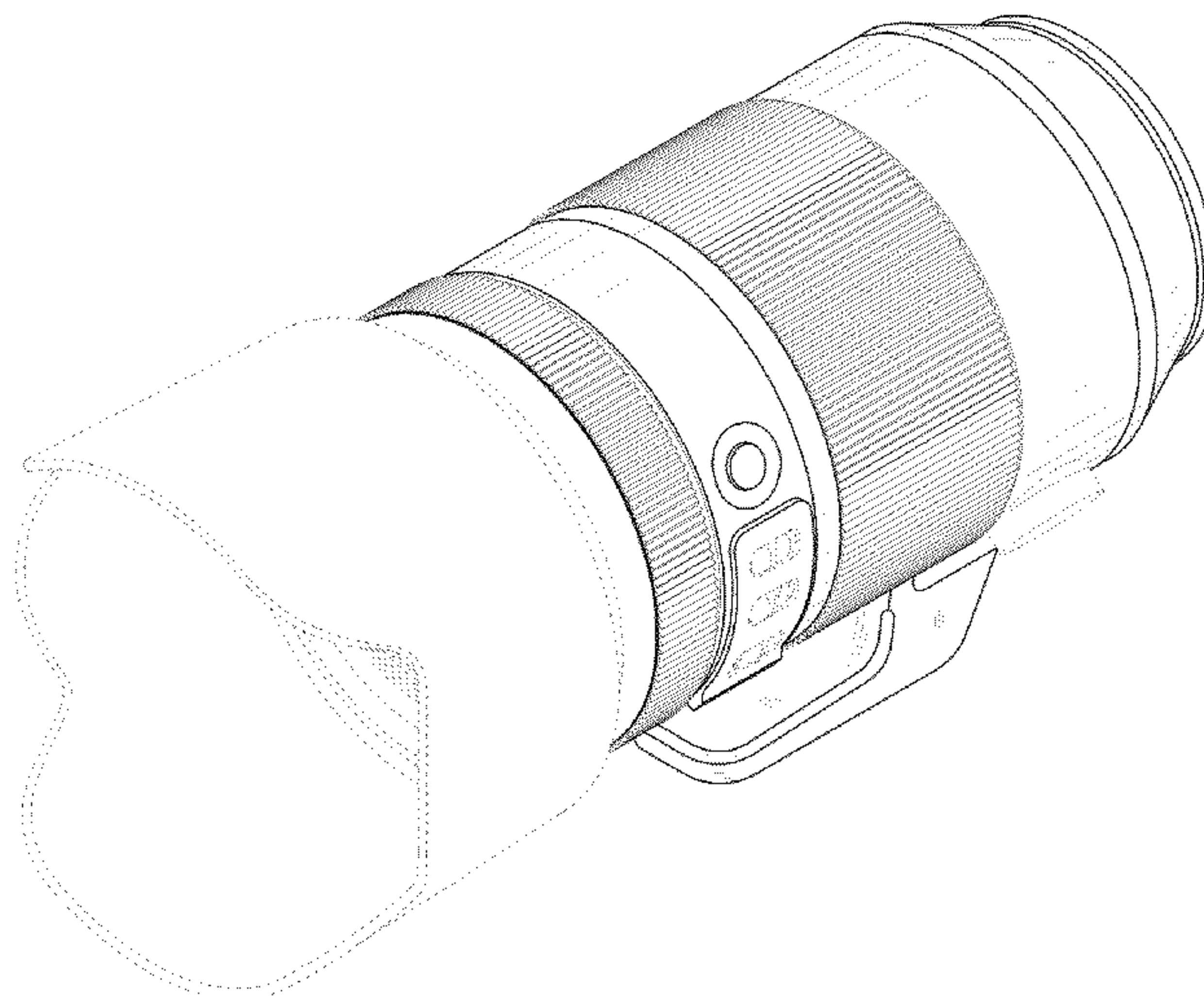


FIG. 1

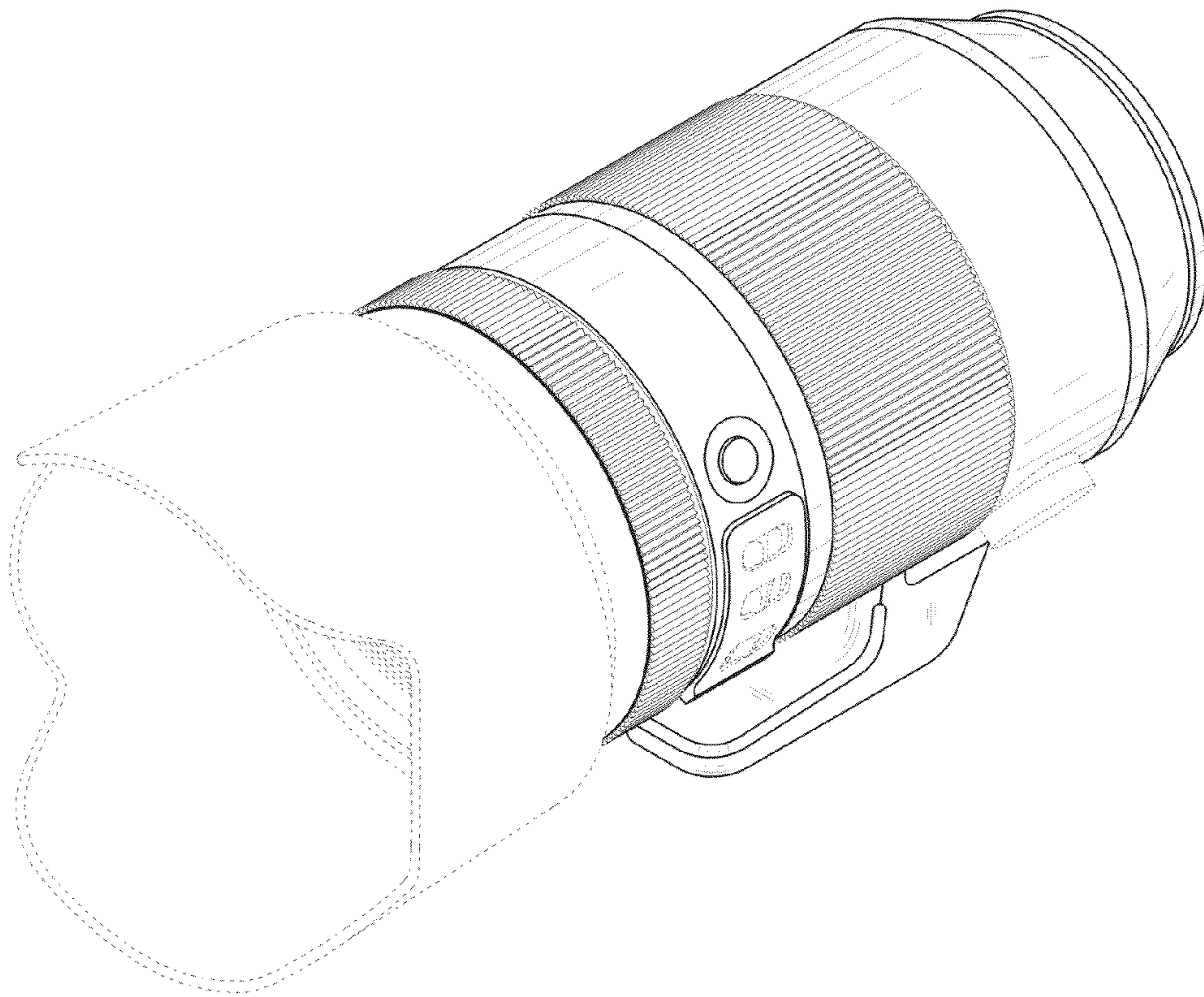


FIG. 2

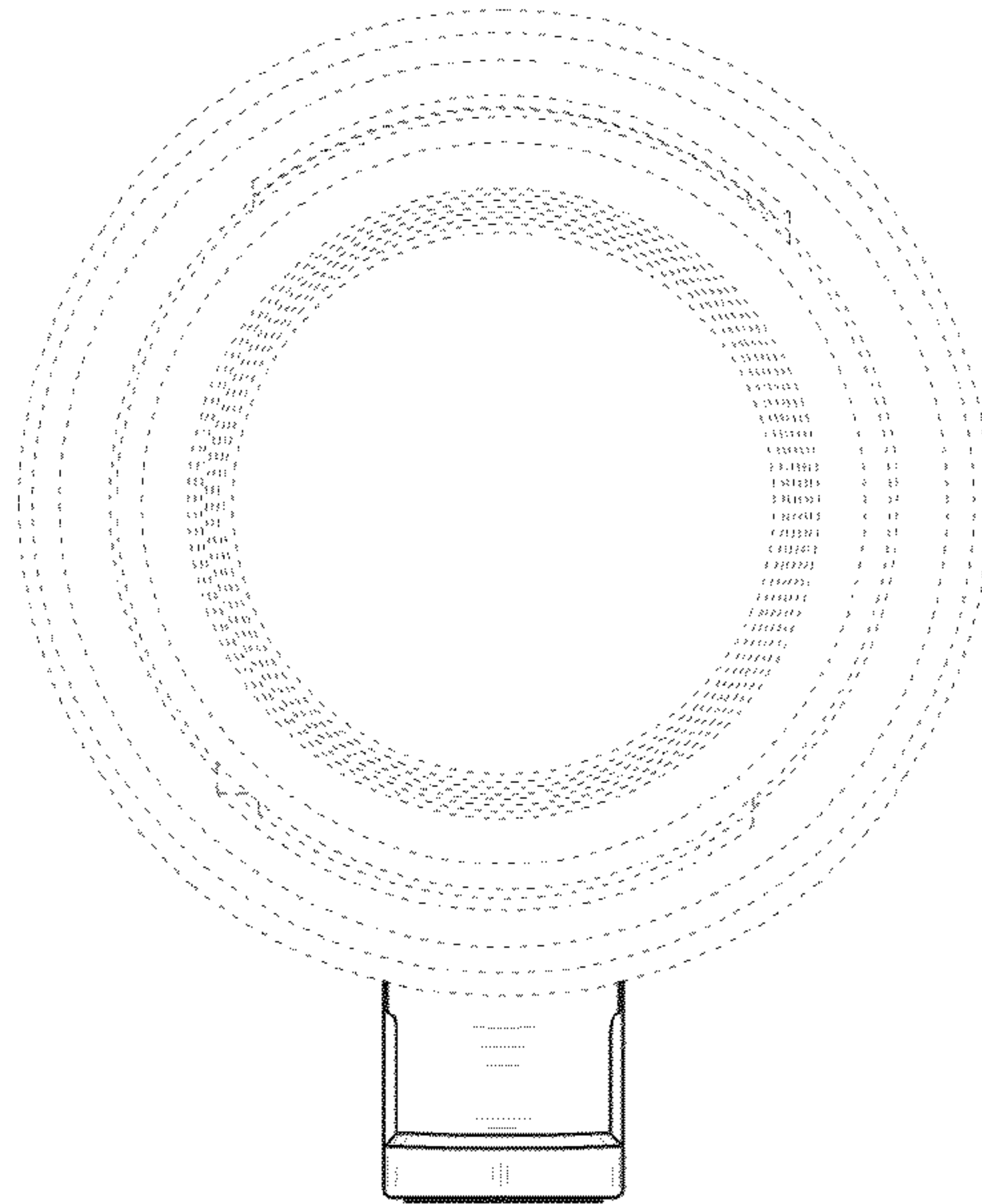


FIG. 3

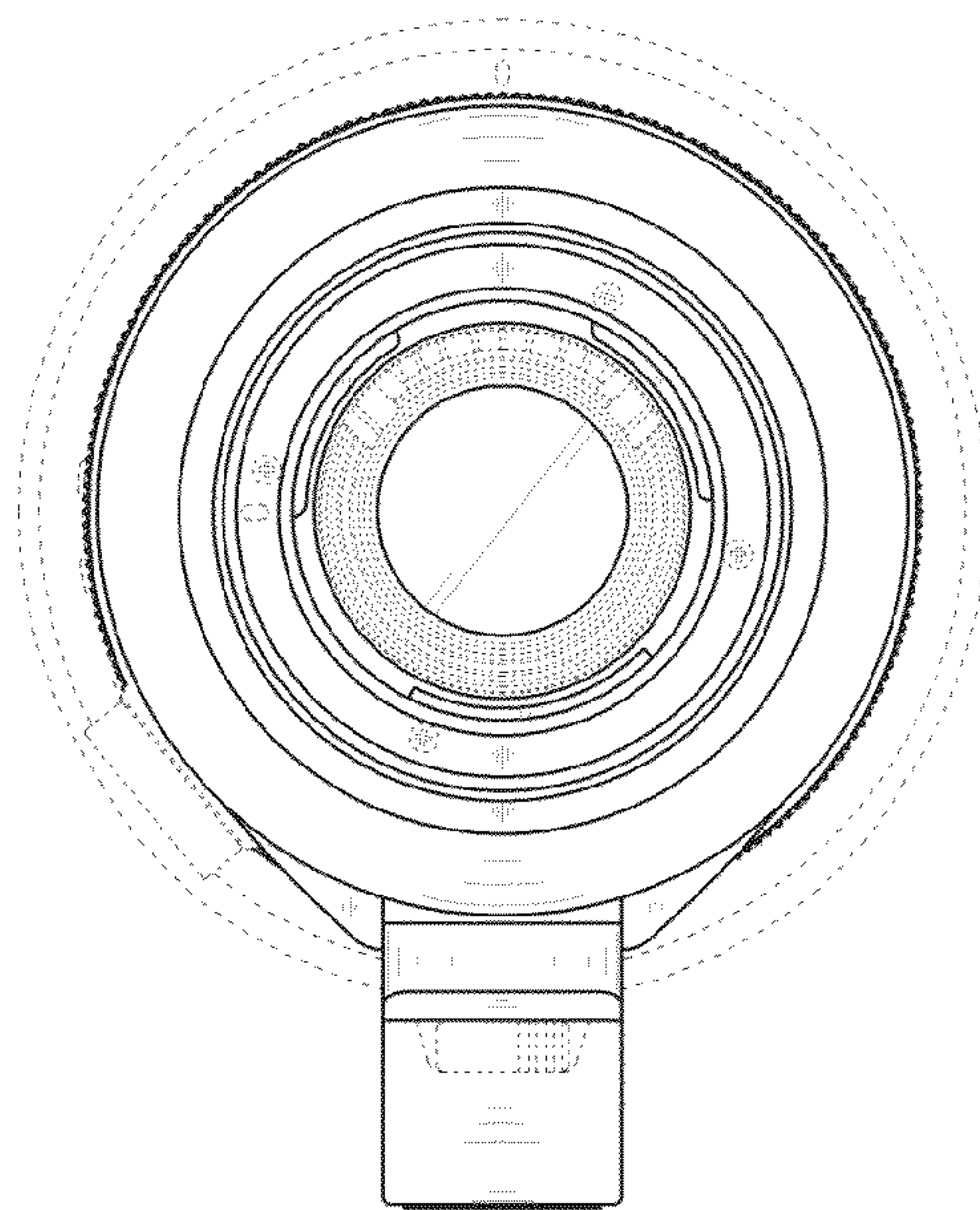




FIG. 4

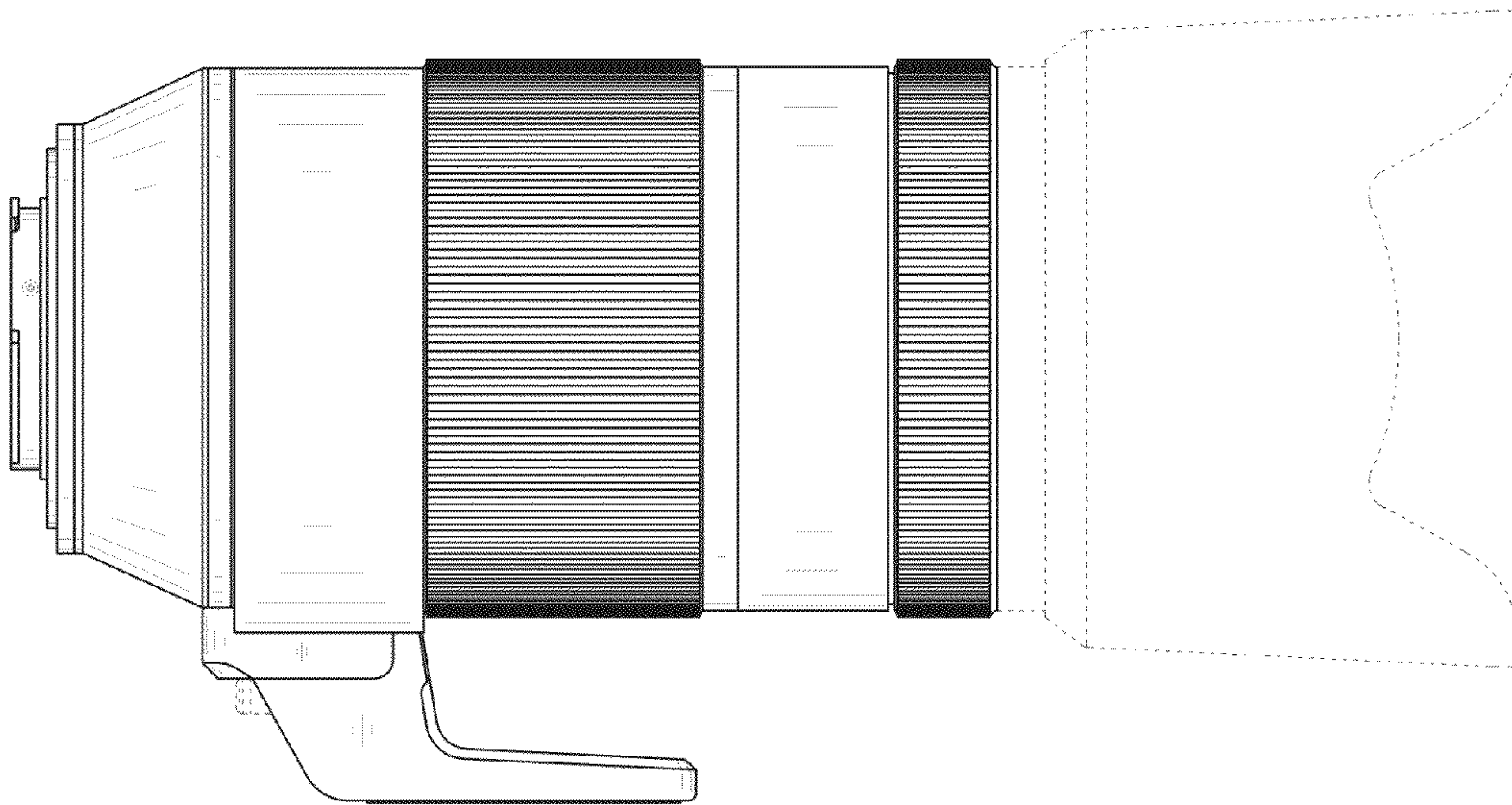


FIG. 5

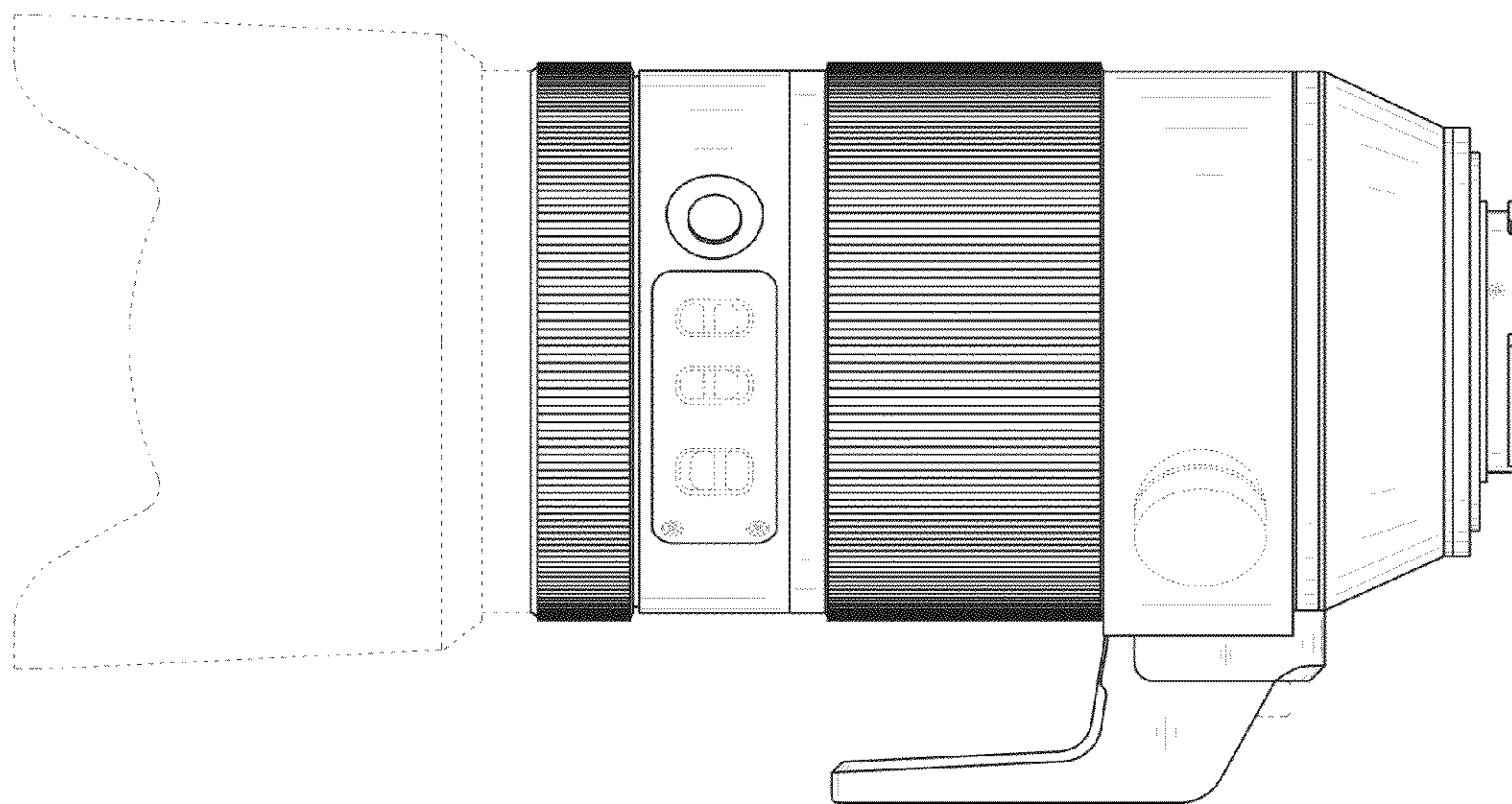


FIG. 6

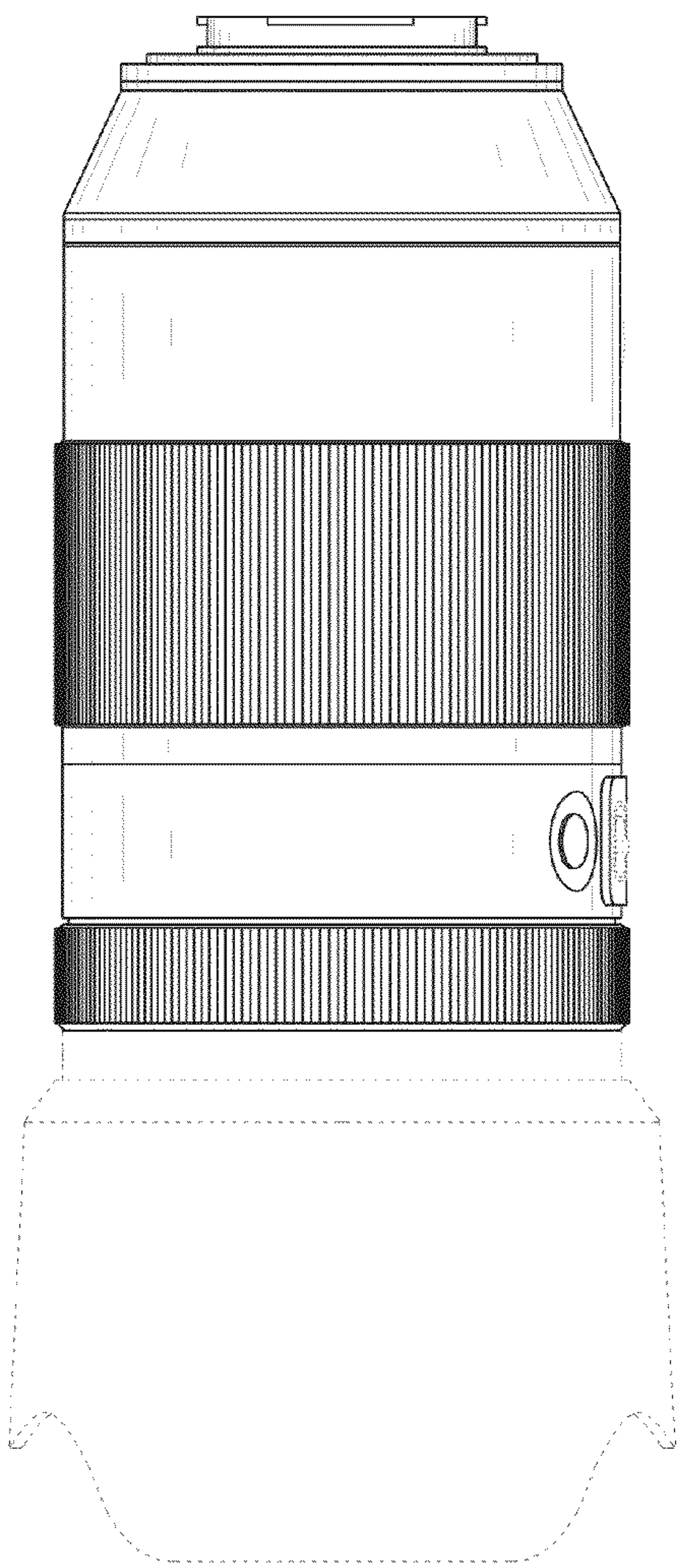


FIG. 7

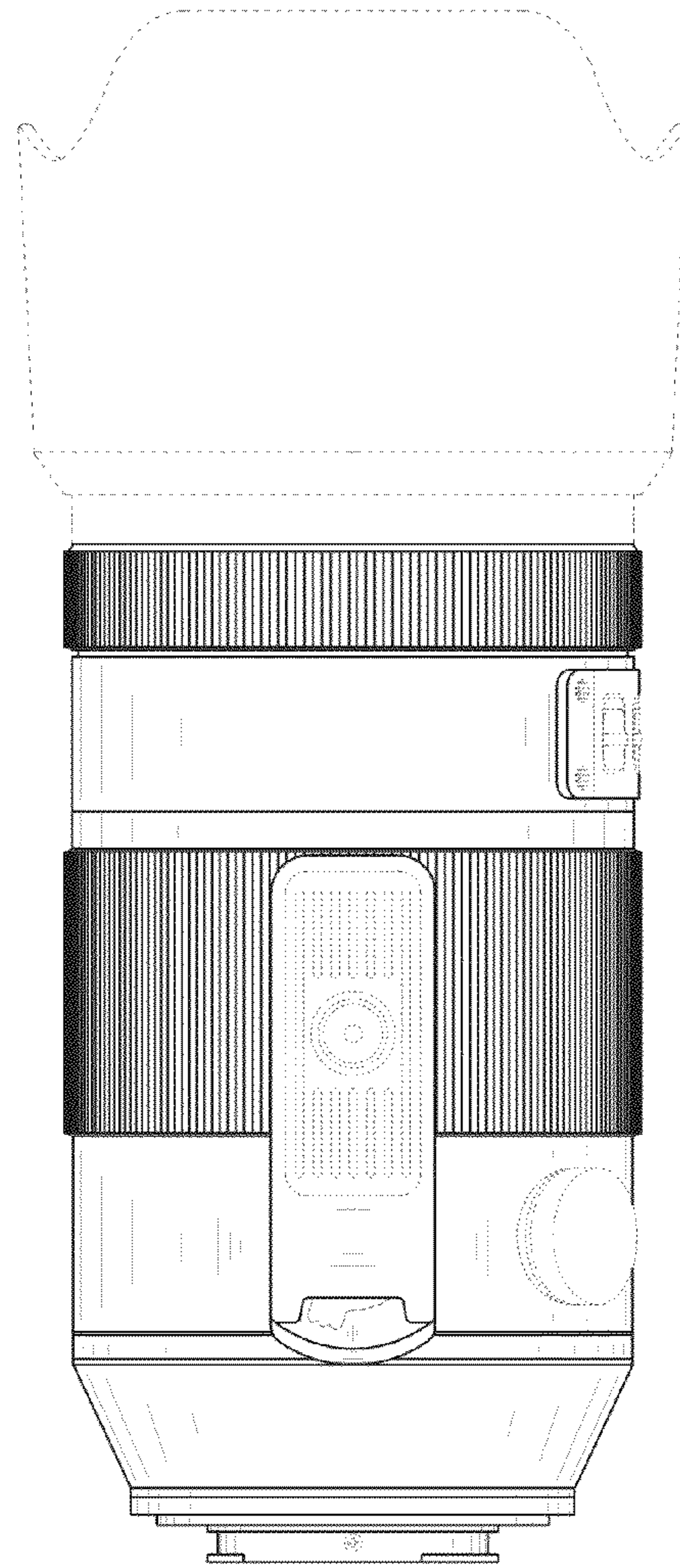


FIG. 8

