



US00D744024S

(12) **United States Design Patent**
Oh

(10) **Patent No.:** **US D744,024 S**

(45) **Date of Patent:** **** Nov. 24, 2015**

(54) **LENS FOR CAMERA**

(56) **References Cited**

(71) Applicant: **Samsung Electronics Co., Ltd.**,
Suwon-si (KR)

U.S. PATENT DOCUMENTS

(72) Inventor: **San-Hui Oh**, Seoul (KR)

D562,862	S	*	2/2008	Yasutomi	D16/134
D562,863	S	*	2/2008	Yasutomi	D16/134
D562,864	S	*	2/2008	Yasutomi	D16/134
D562,865	S	*	2/2008	Yasutomi	D16/134
D566,158	S	*	4/2008	Yasutomi	D16/219
D693,869	S	*	11/2013	Asano	D16/219
D704,759	S	*	5/2014	Park et al.	D16/219
D704,760	S	*	5/2014	Jung et al.	D16/219
D709,119	S	*	7/2014	Kim et al.	D16/219
D716,361	S	*	10/2014	Tsuge	D16/218
D718,362	S	*	11/2014	Noh	D16/219
D730,422	S	*	5/2015	Kim et al.	D16/218
2013/0265662	A1	*	10/2013	Araie et al.	359/827

(73) Assignee: **SAMSUNG ELECTRONICS CO., LTD.** (KR)

(**) Term: **14 Years**

(21) Appl. No.: **29/494,773**

* cited by examiner

(22) Filed: **Jun. 24, 2014**

(30) **Foreign Application Priority Data**

Jan. 2, 2014 (KR) 30-2014-0000093

Primary Examiner — Adir Aronovich

Assistant Examiner — Ramzi Almatrahi

(74) *Attorney, Agent, or Firm* — Cantor Colburn LLP

(51) **LOC (10) Cl.** **16-05**

(57) **CLAIM**

The ornamental design for a lens for camera, as shown and described.

(52) **U.S. Cl.**

USPC **D16/219**

DESCRIPTION

(58) **Field of Classification Search**

USPC D16/134, 136, 200, 202–205, 218, 219,
D16/235; 348/373–376; 359/826–828;
396/529–532, 535, 539–541

CPC G03B 17/02; G03B 19/04; G03B 17/56;
G03B 17/04; G03B 15/03; G03B 17/14;
H04N 5/2251; H04N 5/2252; H04N 5/2253;
H04N 5/2254; G02B 7/02; G02B 7/04;
G02B 7/14

FIG. 1 is a front and right side perspective view of a lens for camera showing my new design;
FIG. 2 is a front elevation view thereof;
FIG. 3 is a rear elevation view thereof;
FIG. 4 is a left side elevation view thereof;
FIG. 5 is a right side elevation view thereof;
FIG. 6 is a top plan view thereof; and,
FIG. 7 is a bottom plan view thereof.

The broken lines depict portions of a lens for camera in which the design is embodied and form no part of the claimed design.

See application file for complete search history.

1 Claim, 4 Drawing Sheets

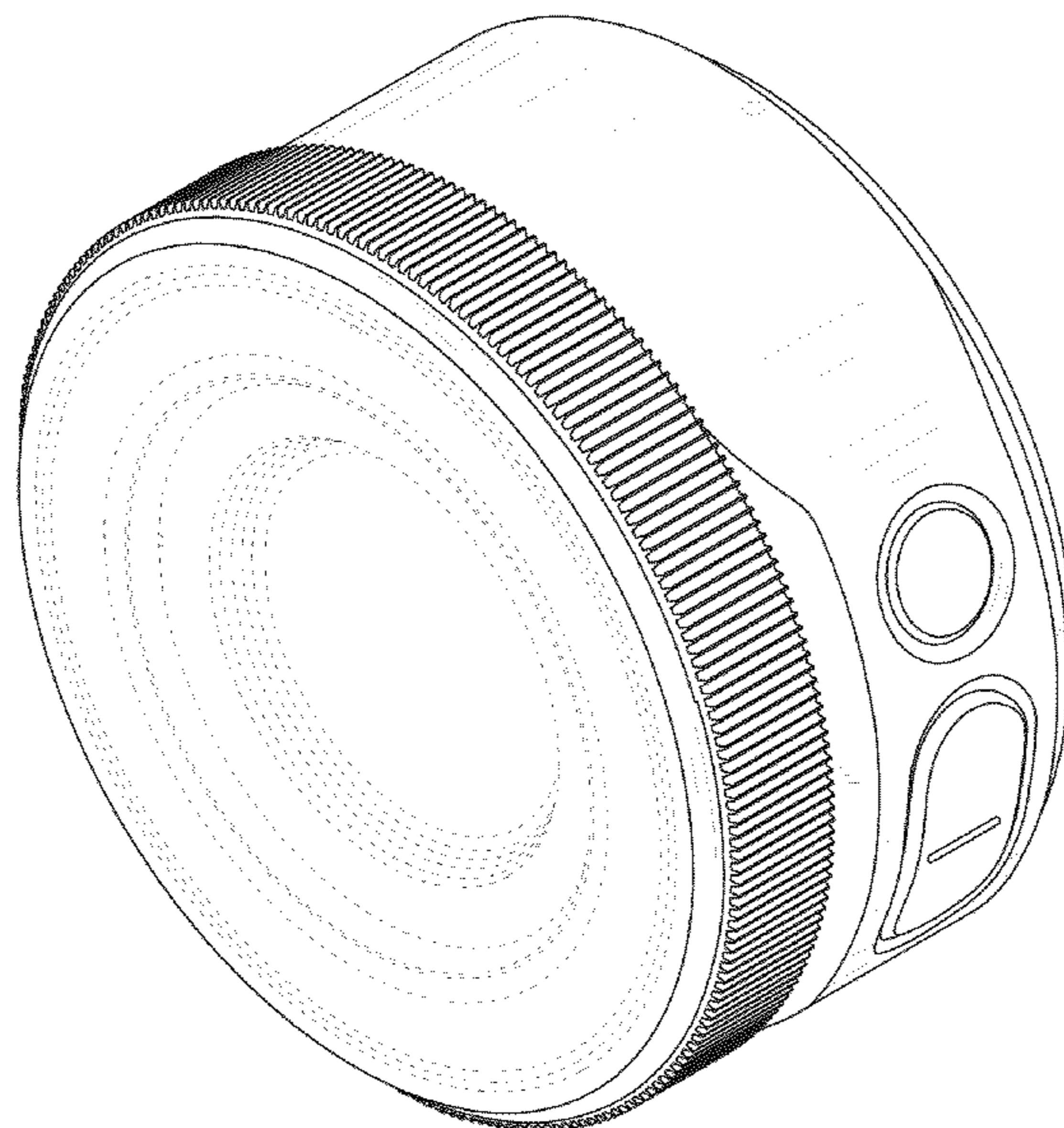


FIG. 1

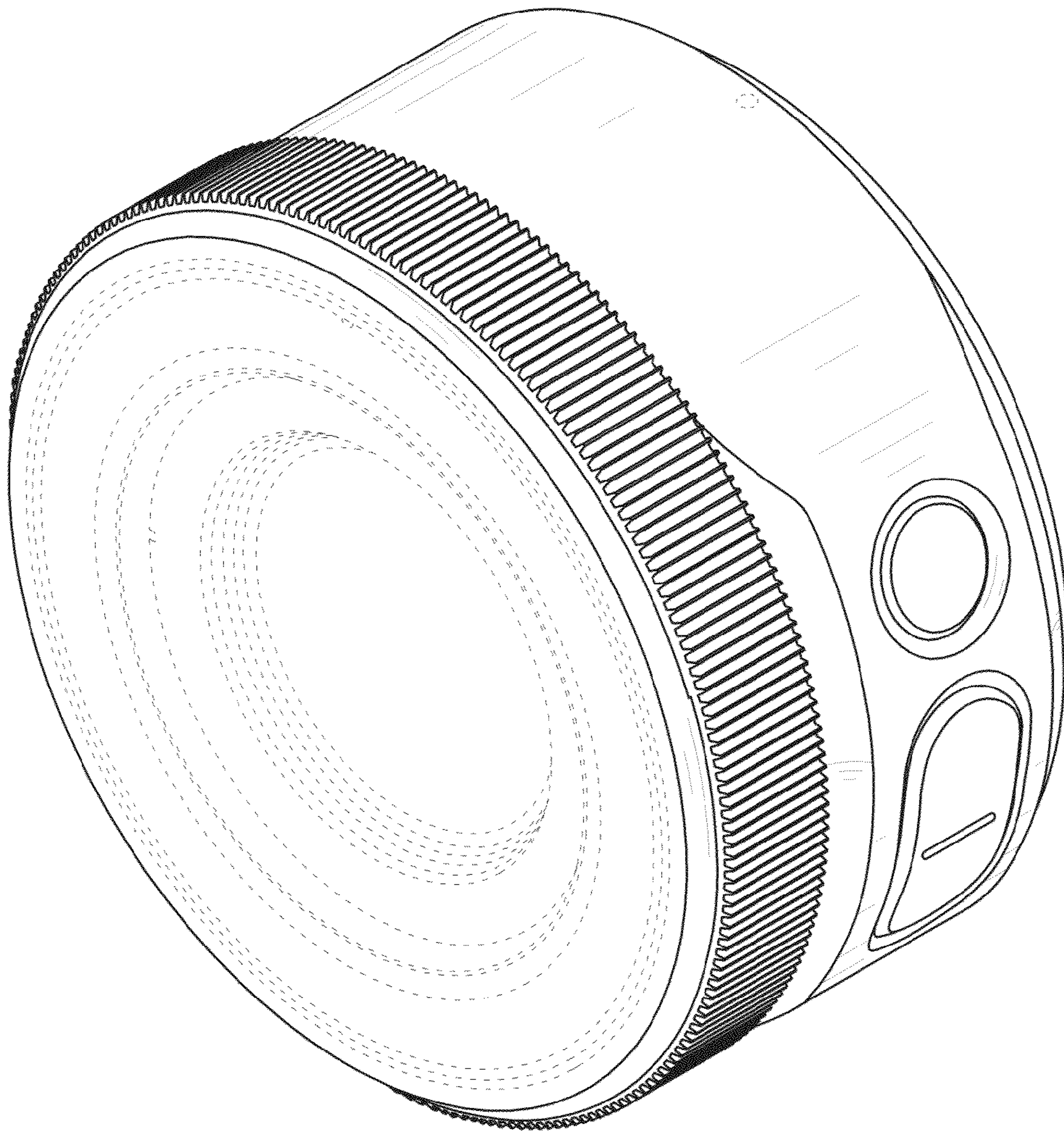


FIG. 2

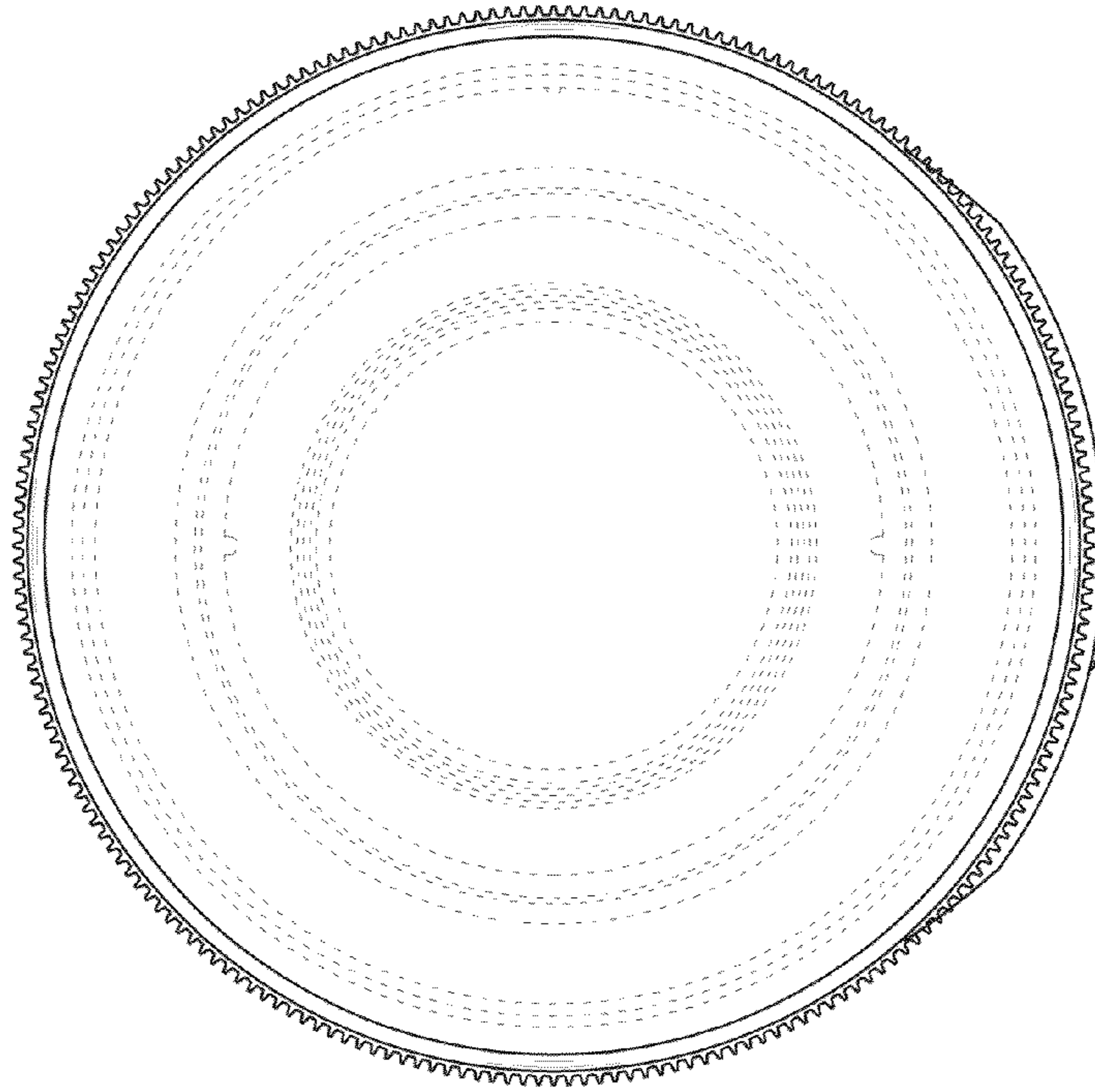


FIG. 3

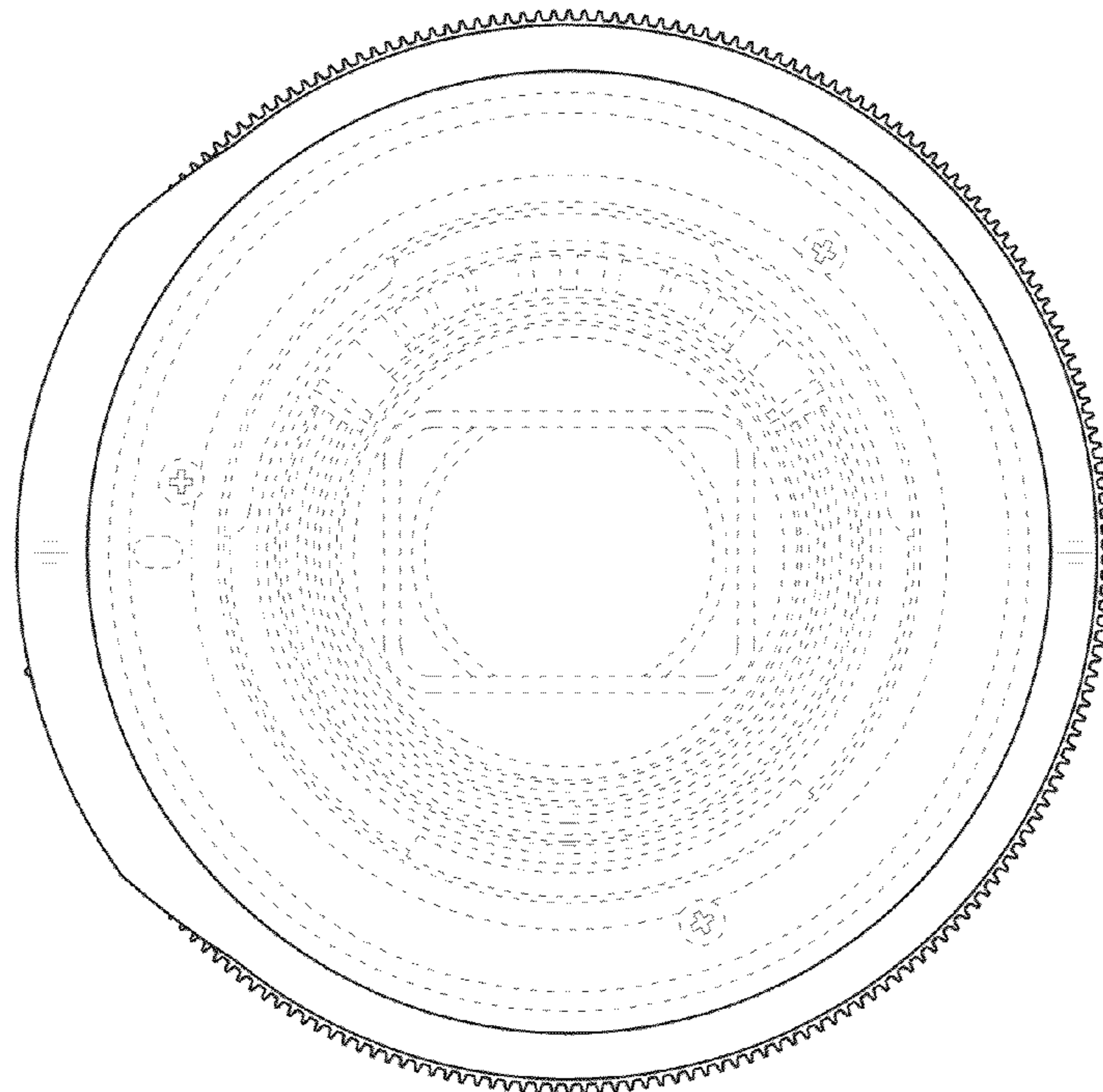


FIG. 4

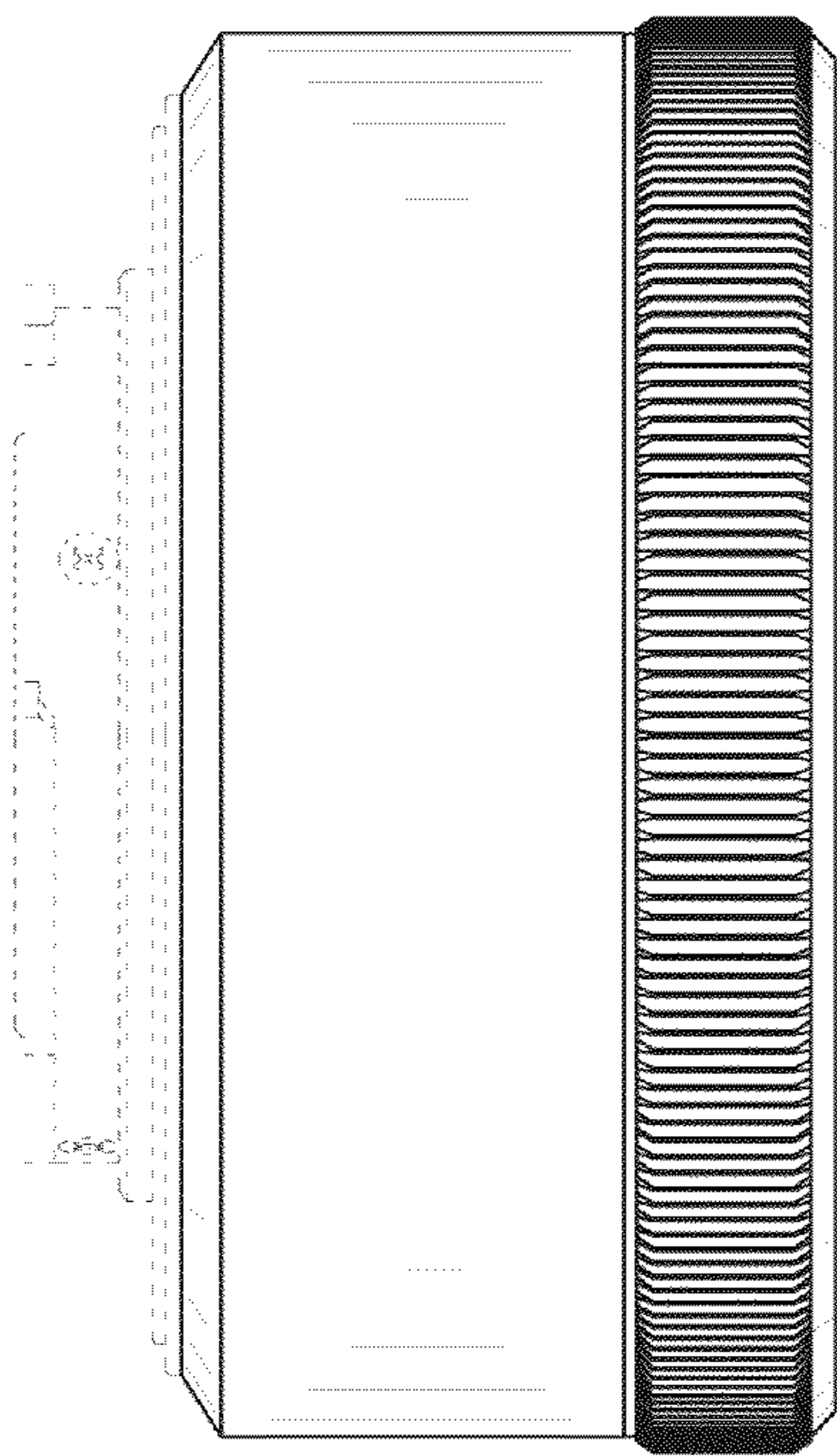


FIG. 5

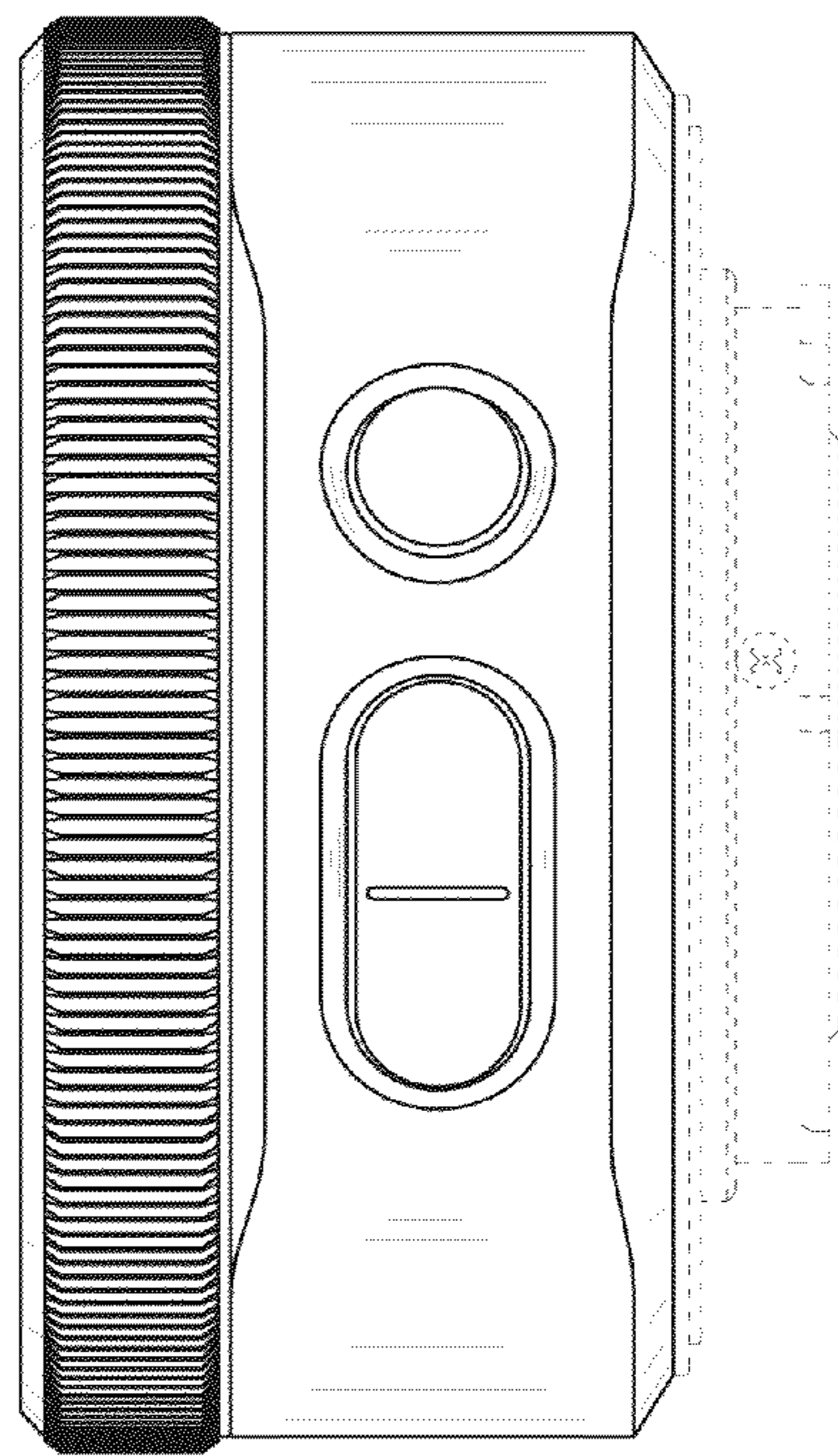


FIG. 6

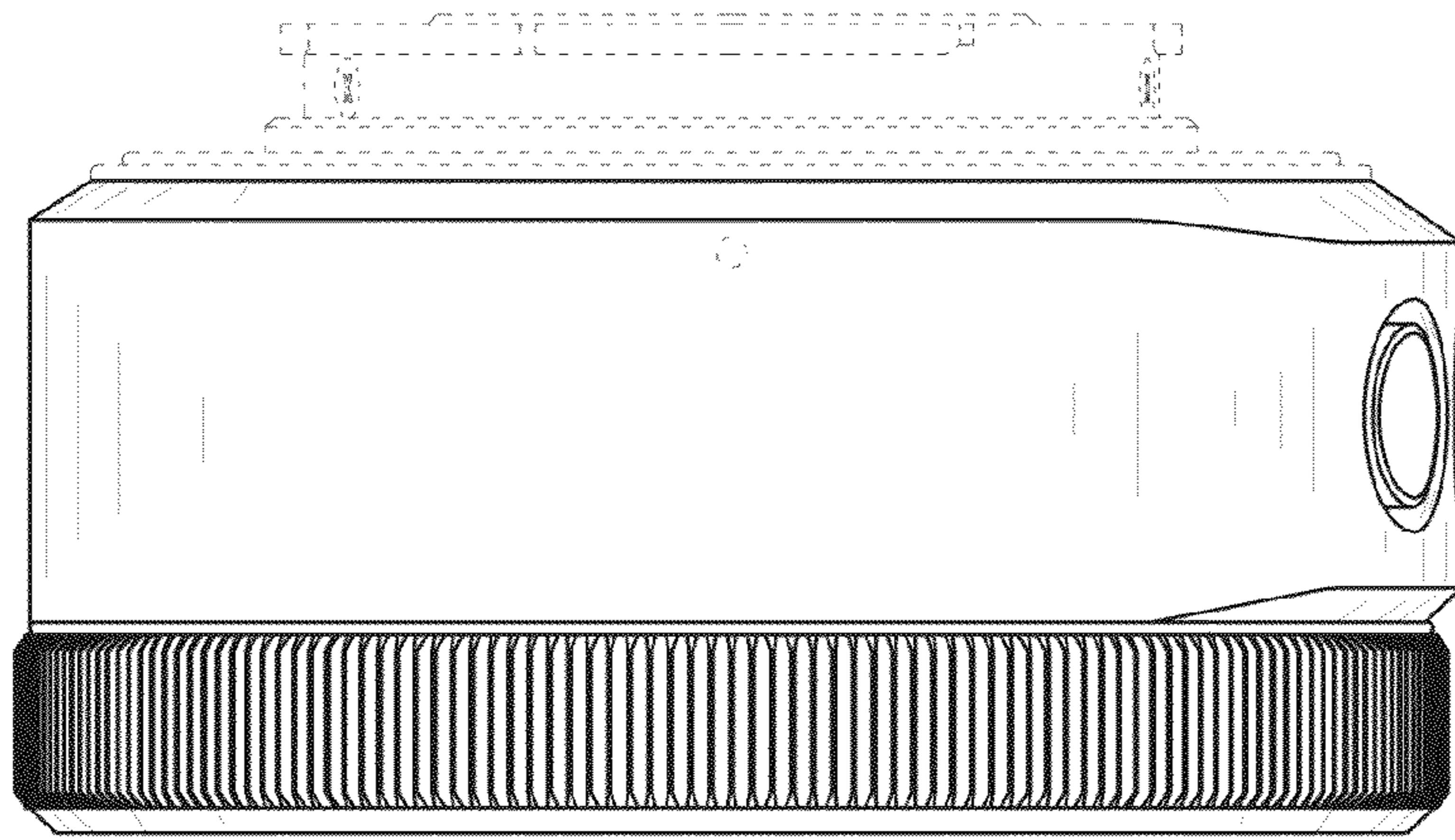


FIG. 7

