



US00D744023S

(12) **United States Design Patent**  
**Ham**

(10) **Patent No.:** **US D744,023 S**  
(45) **Date of Patent:** **\*\* Nov. 24, 2015**

(54) **CAMERA**

(71) Applicant: **Samsung Electronics Co., Ltd.,**  
Suwon-si (KR)

(72) Inventor: **Sun-Woong Ham,** Seoul (KR)

(73) Assignee: **Samsung Electronics Co., Ltd.,**  
Suwon-si (KR)

(\*\*) Term: **14 Years**

(21) Appl. No.: **29/472,395**

(22) Filed: **Nov. 12, 2013**

(30) **Foreign Application Priority Data**

May 23, 2013 (KR) ..... 30-2013-0026789

(51) **LOC (10) Cl.** ..... **16-05**

(52) **U.S. Cl.**  
USPC ..... **D16/219**

(58) **Field of Classification Search**

USPC ..... D16/200, 202–205, 208, 209, 211, 212,  
D16/216–220, 239, 242; 348/373–376;  
396/354, 176–178, 535, 538–541

CPC ..... G03B 17/02; G03B 19/04; G03B 17/56;  
G03B 17/04; G03B 15/03; G03B 15/05;  
H04N 5/2251; H04N 5/2252; H04N 5/2253;  
H04N 5/2254; H04N 2007/145; H04N 7/141;  
H04N 7/142; H04N 7/147; H04N 7/148;  
H04N 7/15; H04N 7/152

See application file for complete search history.

(56) **References Cited**

**U.S. PATENT DOCUMENTS**

D515,606 S \* 2/2006 Nakamura ..... D16/202  
D528,580 S \* 9/2006 Sumita ..... D16/206  
D593,142 S \* 5/2009 Yoshida ..... D16/202  
D594,892 S \* 6/2009 Kamiya et al. .... D16/202  
D609,730 S \* 2/2010 Nakamura ..... D16/202

D620,036 S \* 7/2010 Obata ..... D16/202  
D672,801 S \* 12/2012 Nakamura et al. .... D16/202  
D690,755 S \* 10/2013 Nikaido ..... D16/202  
D698,840 S \* 2/2014 Nakamura et al. .... D16/202  
D706,849 S \* 6/2014 Sakai ..... D16/202  
D709,936 S \* 7/2014 Sakai ..... D16/202  
D716,358 S \* 10/2014 Sakai ..... D16/202  
D716,861 S \* 11/2014 Sakai ..... D16/202

\* cited by examiner

*Primary Examiner* — Adir Aronovich

*Assistant Examiner* — Ramzi Almatrahi

(74) *Attorney, Agent, or Firm* — NSIP Law

(57) **CLAIM**

The ornamental design for a camera, as shown and described.

**DESCRIPTION**

FIG. 1 is a front perspective view of a camera showing my new design;

FIG. 2 is a front view thereof;

FIG. 3 is a rear view thereof;

FIG. 4 is a left-side view thereof;

FIG. 5 is a right-side view thereof;

FIG. 6 is a top view thereof;

FIG. 7 is a bottom view thereof;

FIG. 8 is an enlarged view of the larger encircled portion as shown in FIG. 1;

FIG. 9 is an enlarged view of the smaller encircled portion as shown in FIG. 1; and,

FIG. 10 is an enlarged view of the encircled portion as shown in FIG. 3.

The broken lines illustrating portions of the camera in FIGS. 1-10 are for environmental purposes only and form no part of the claimed design.

The dot-dash broken lines encircling portions of the claimed design that are illustrated in enlargements shown in FIGS. 1-3 and 8-10 form no part of the claimed design.

The dot-dash lines in FIGS. 1-3 and 6 represent an unclaimed boundary line and form no part of the claimed design.

**1 Claim, 10 Drawing Sheets**

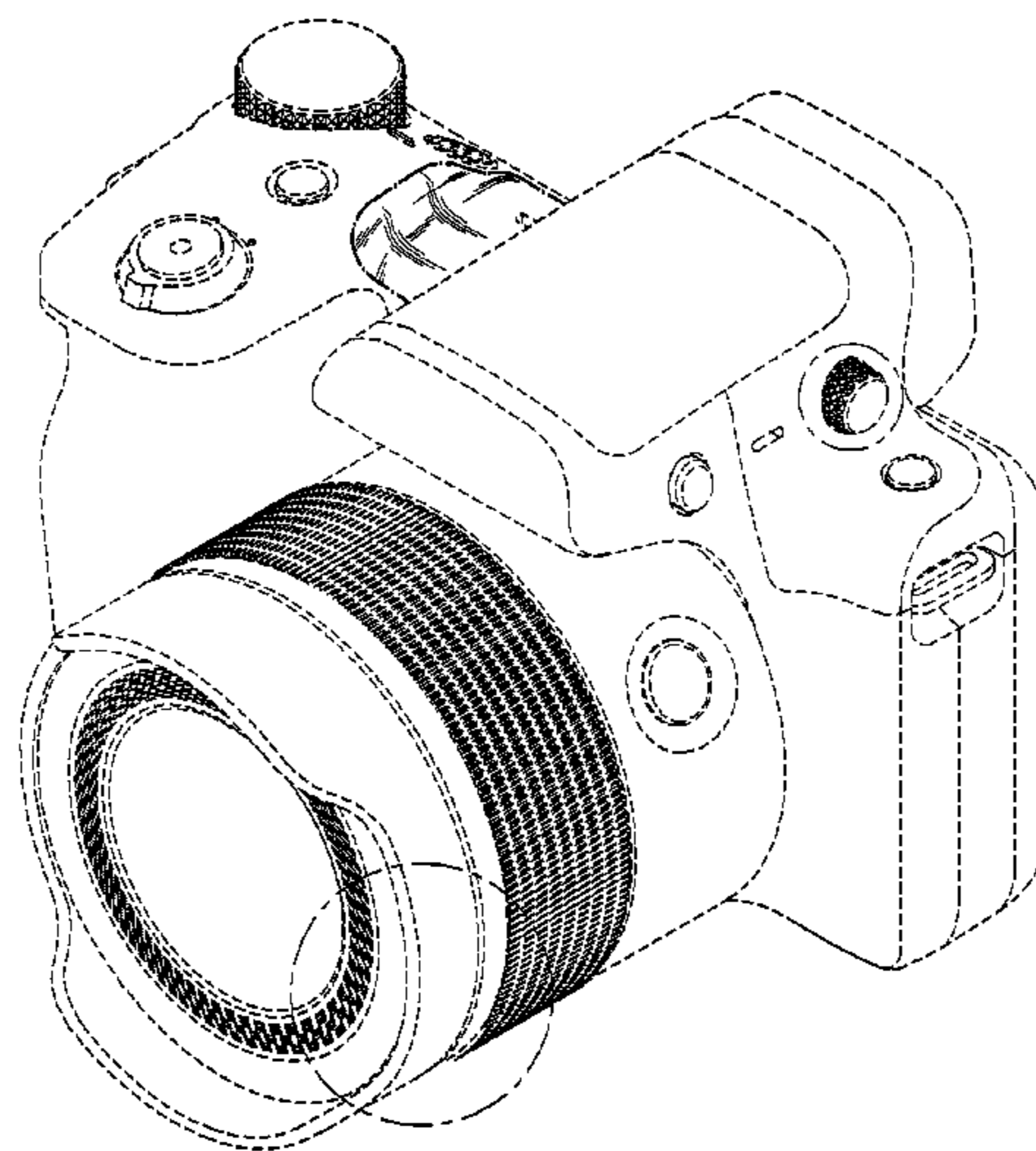


FIG. 1

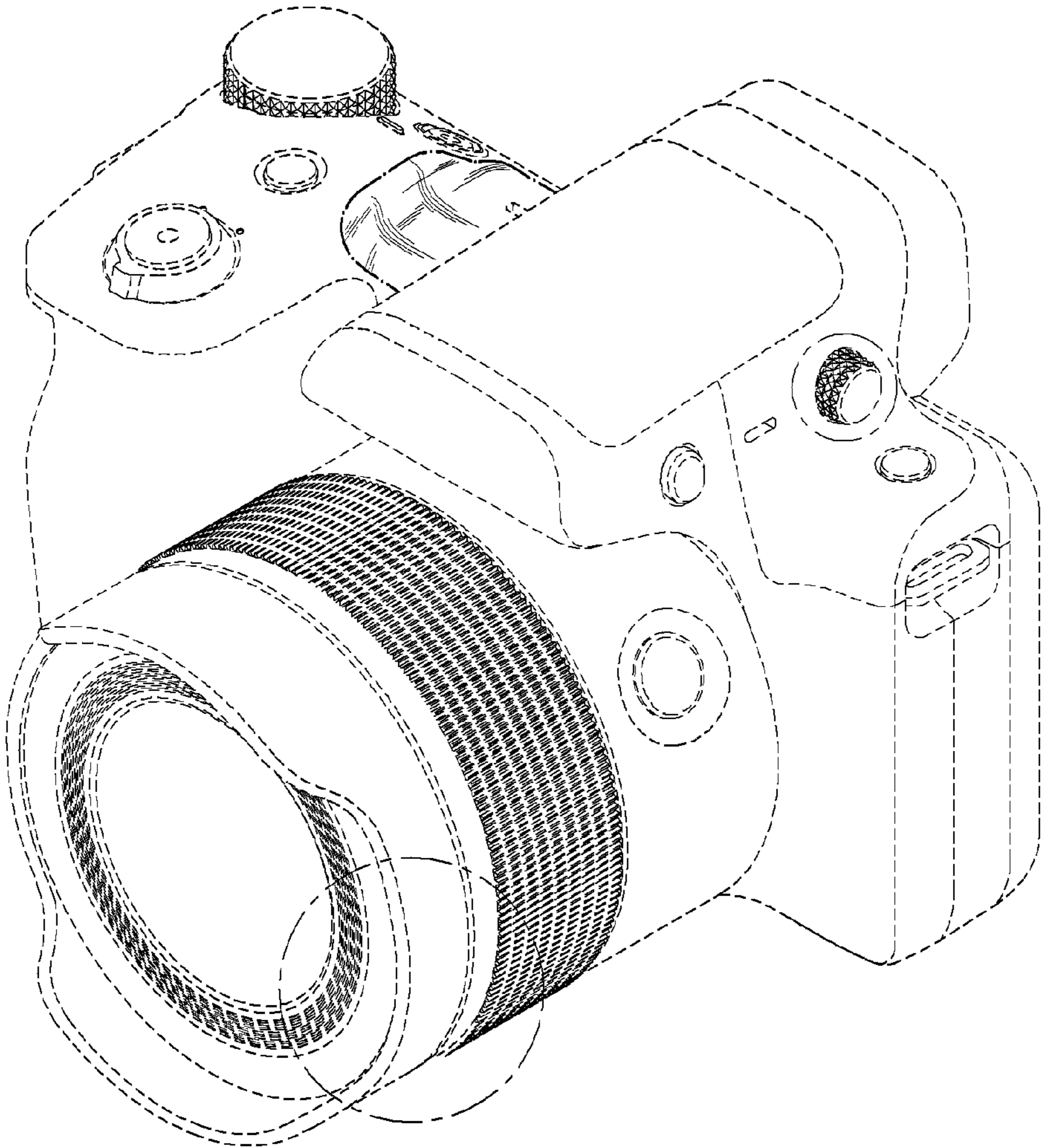


FIG. 2

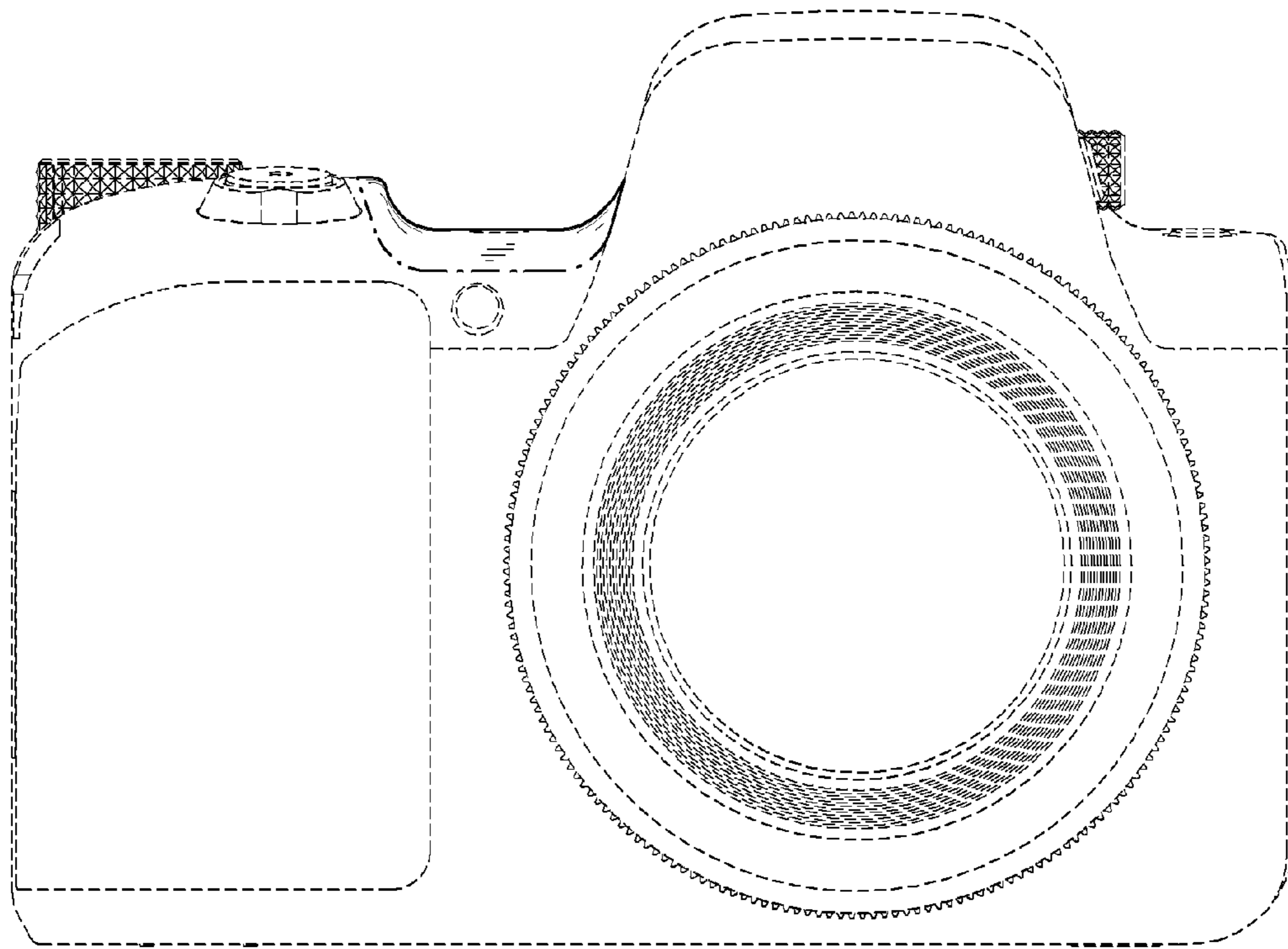


FIG. 3

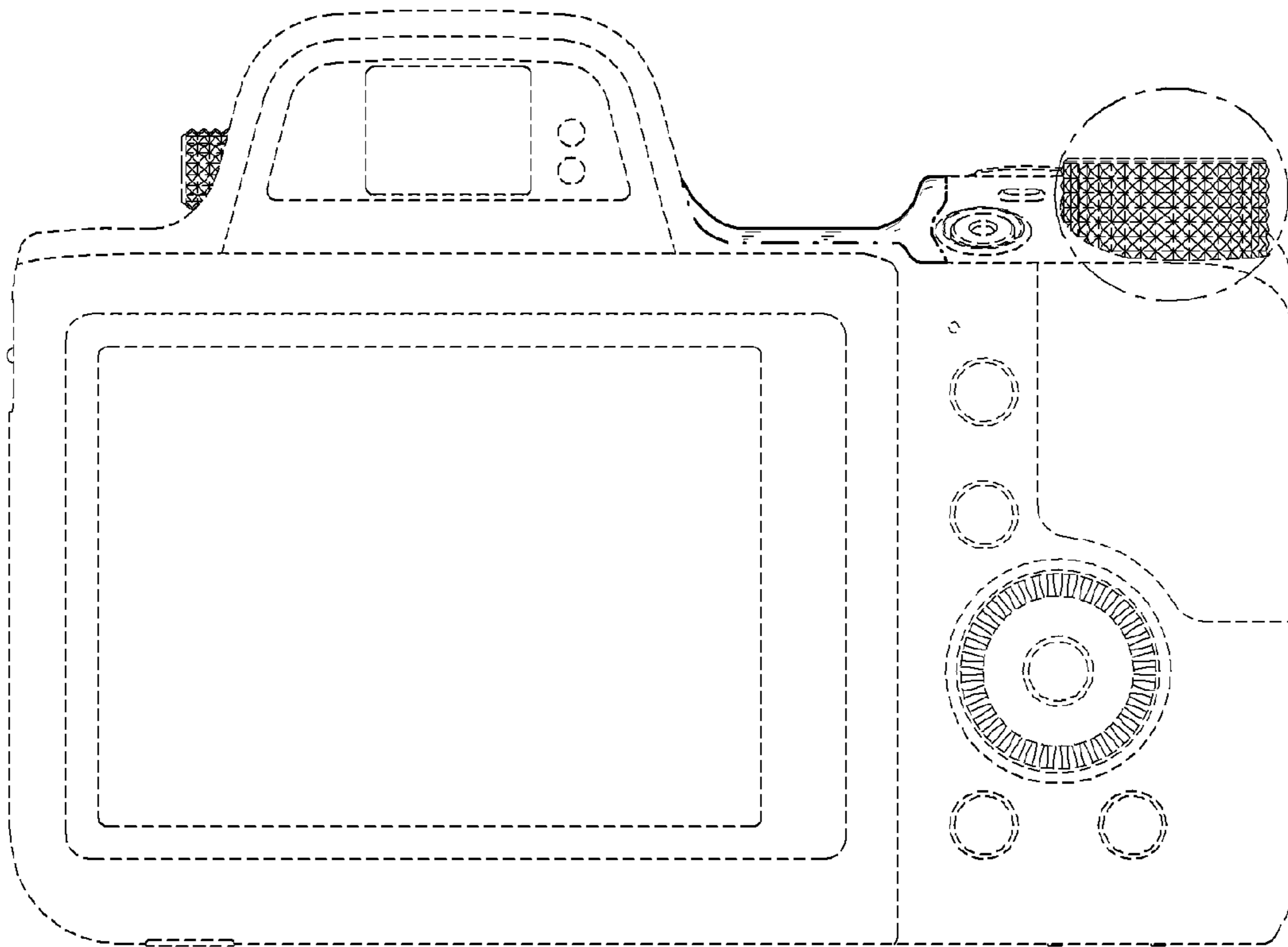


FIG. 4

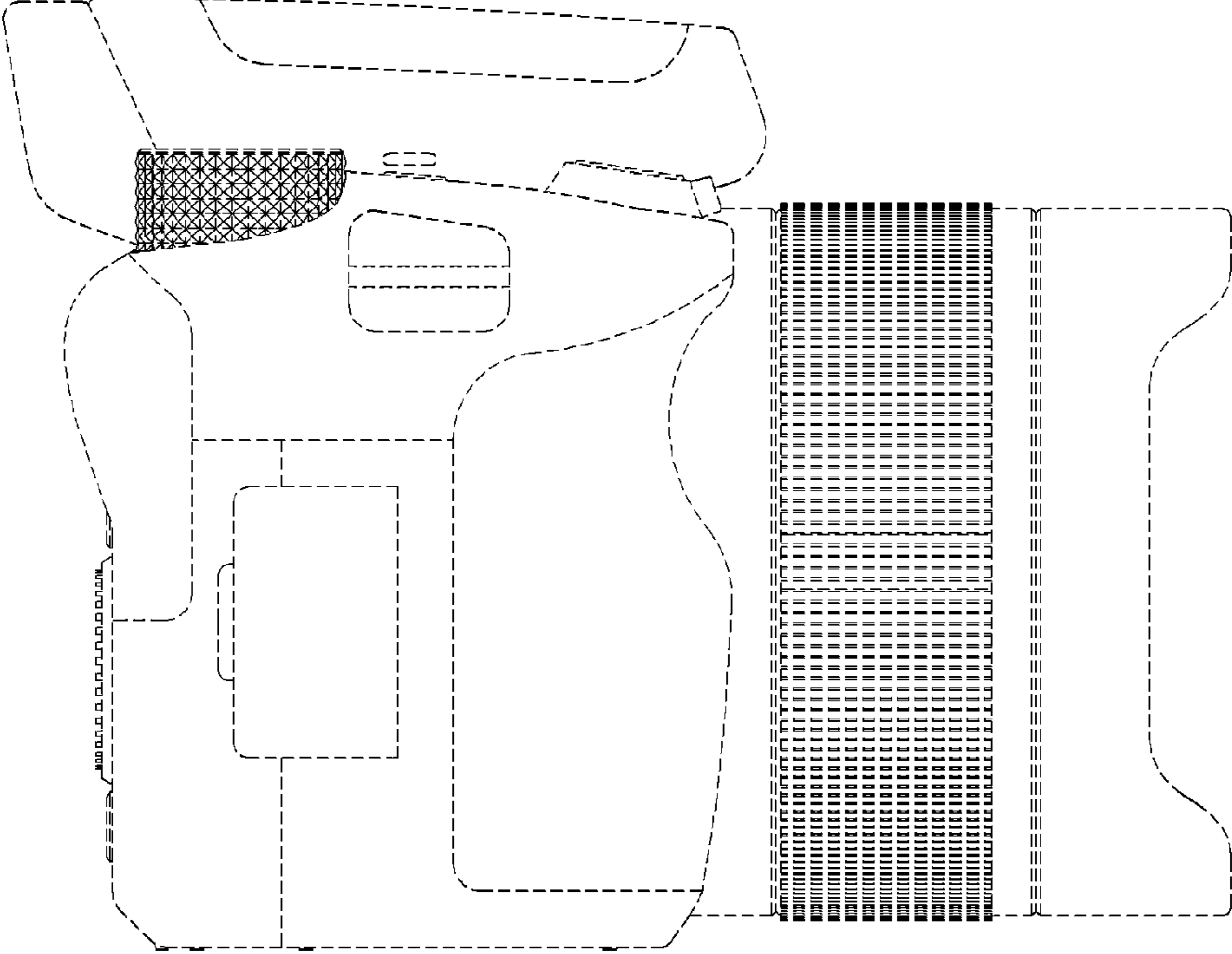


FIG. 5

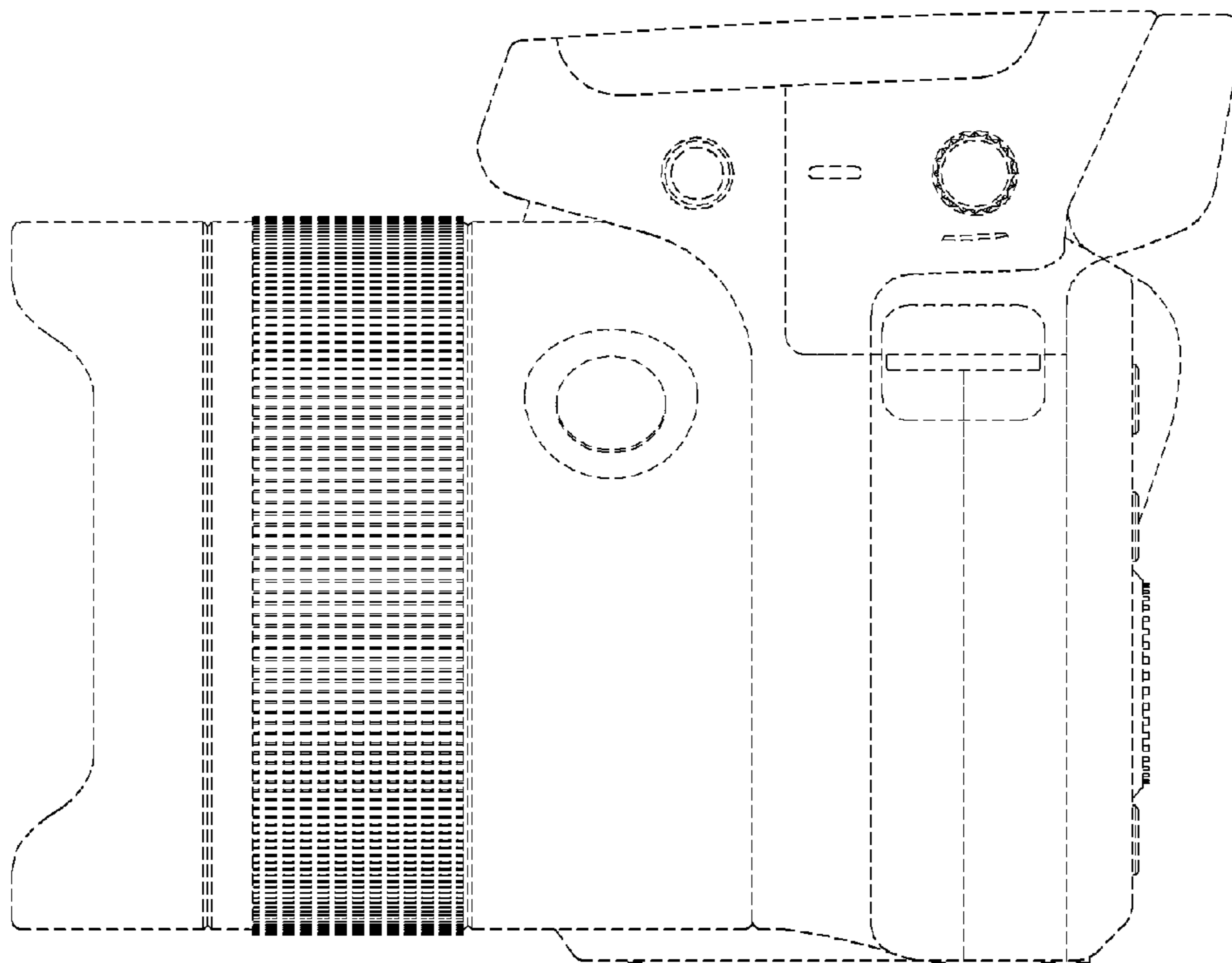


FIG. 6

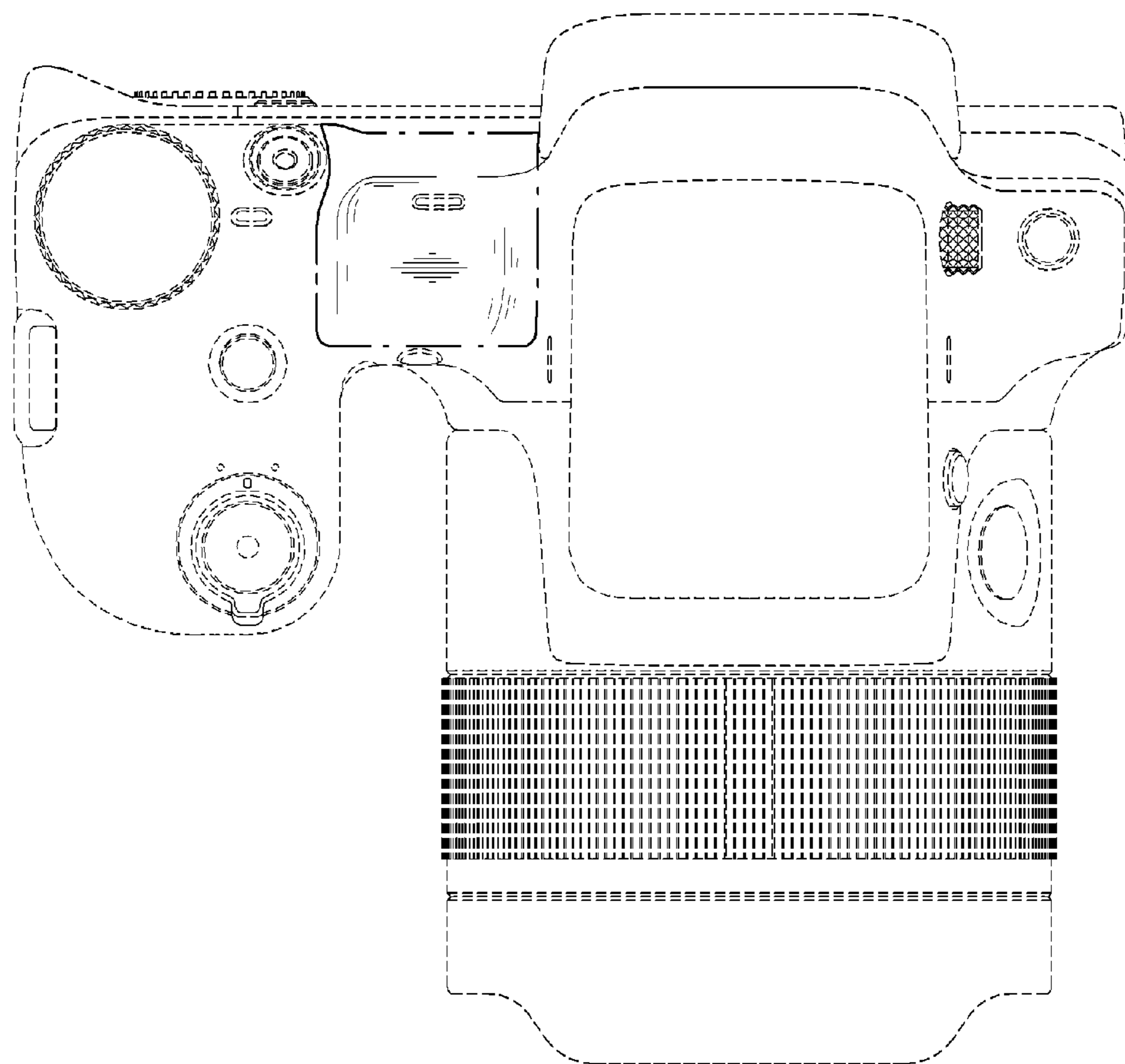


FIG. 7

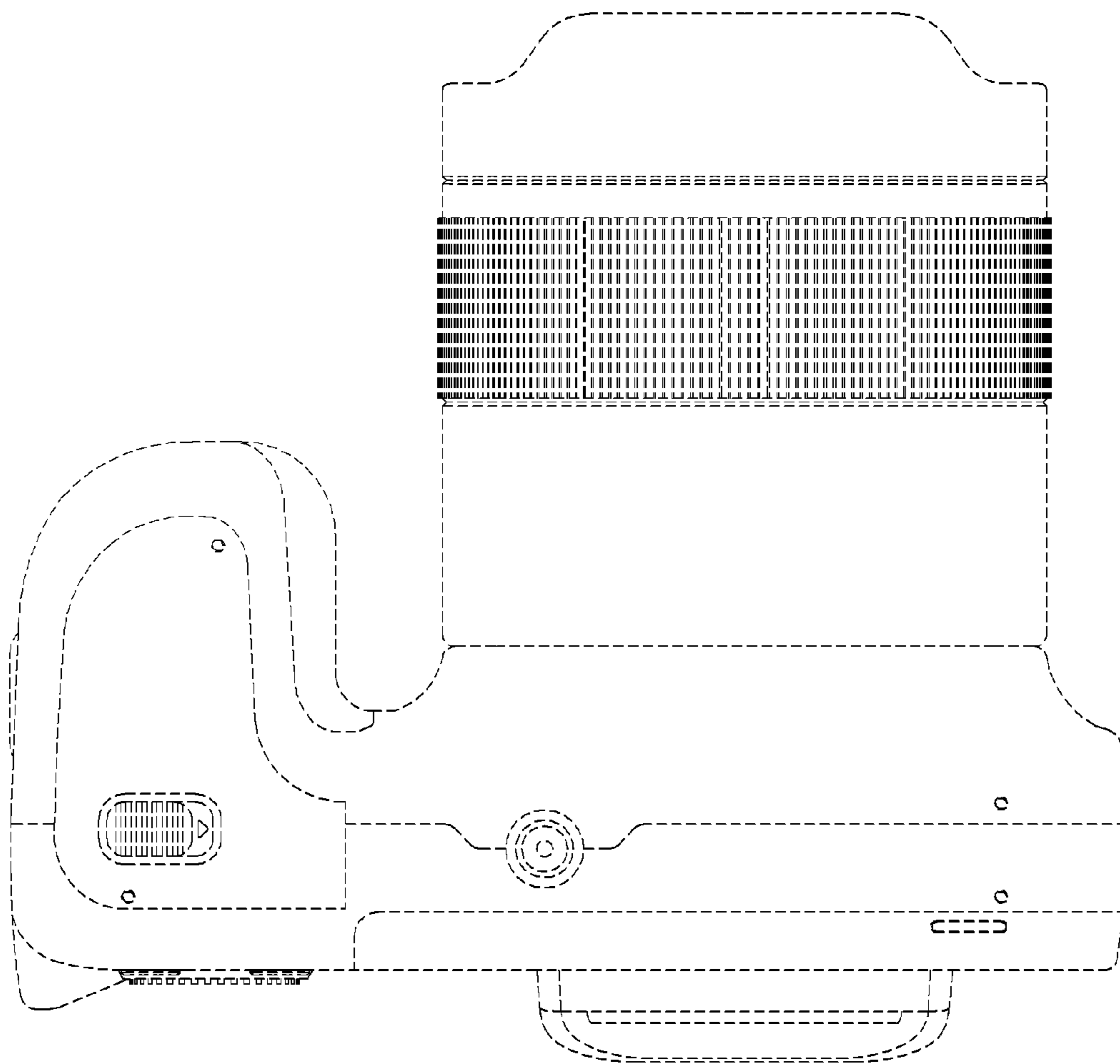




FIG. 8

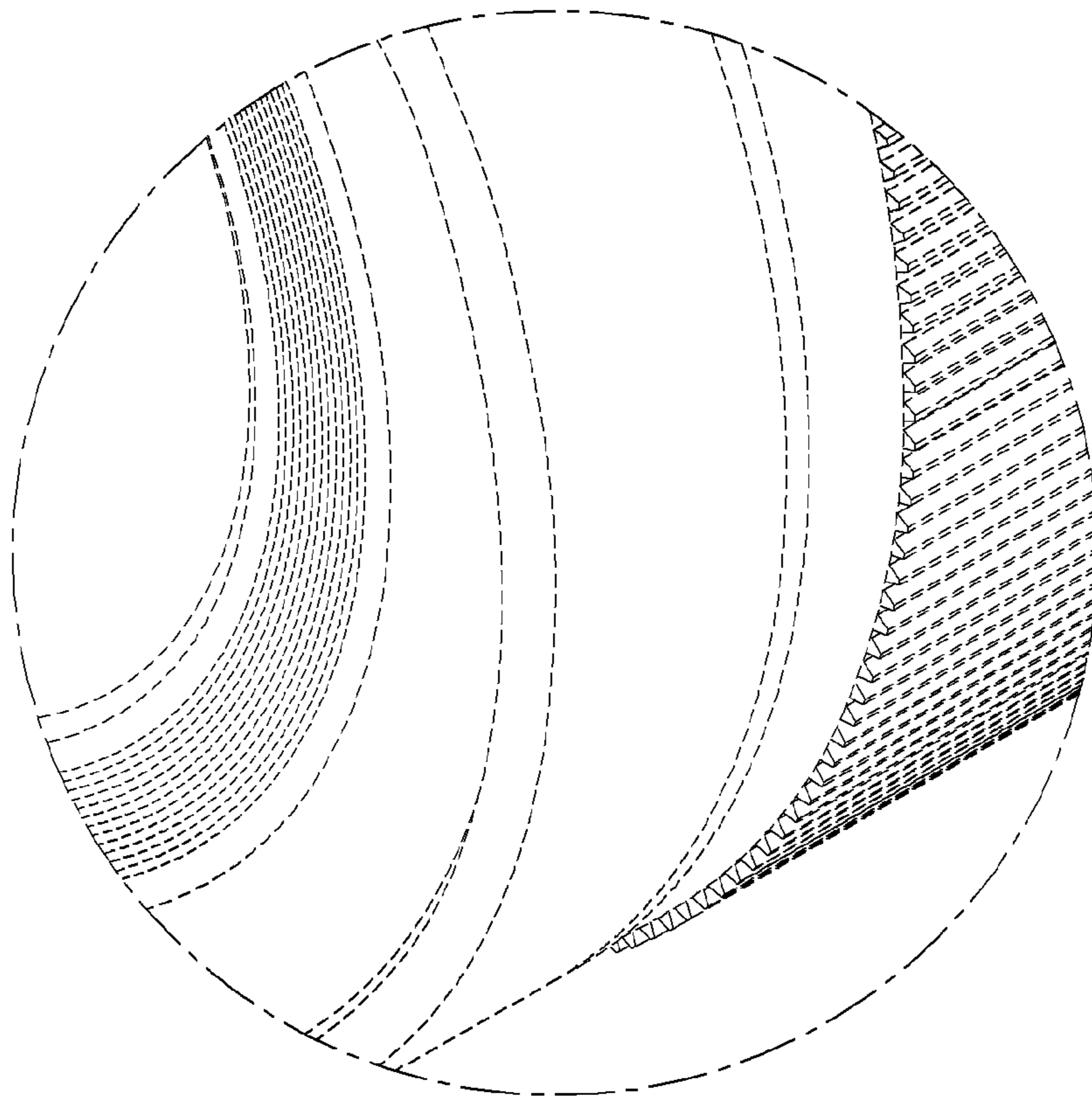


FIG. 9

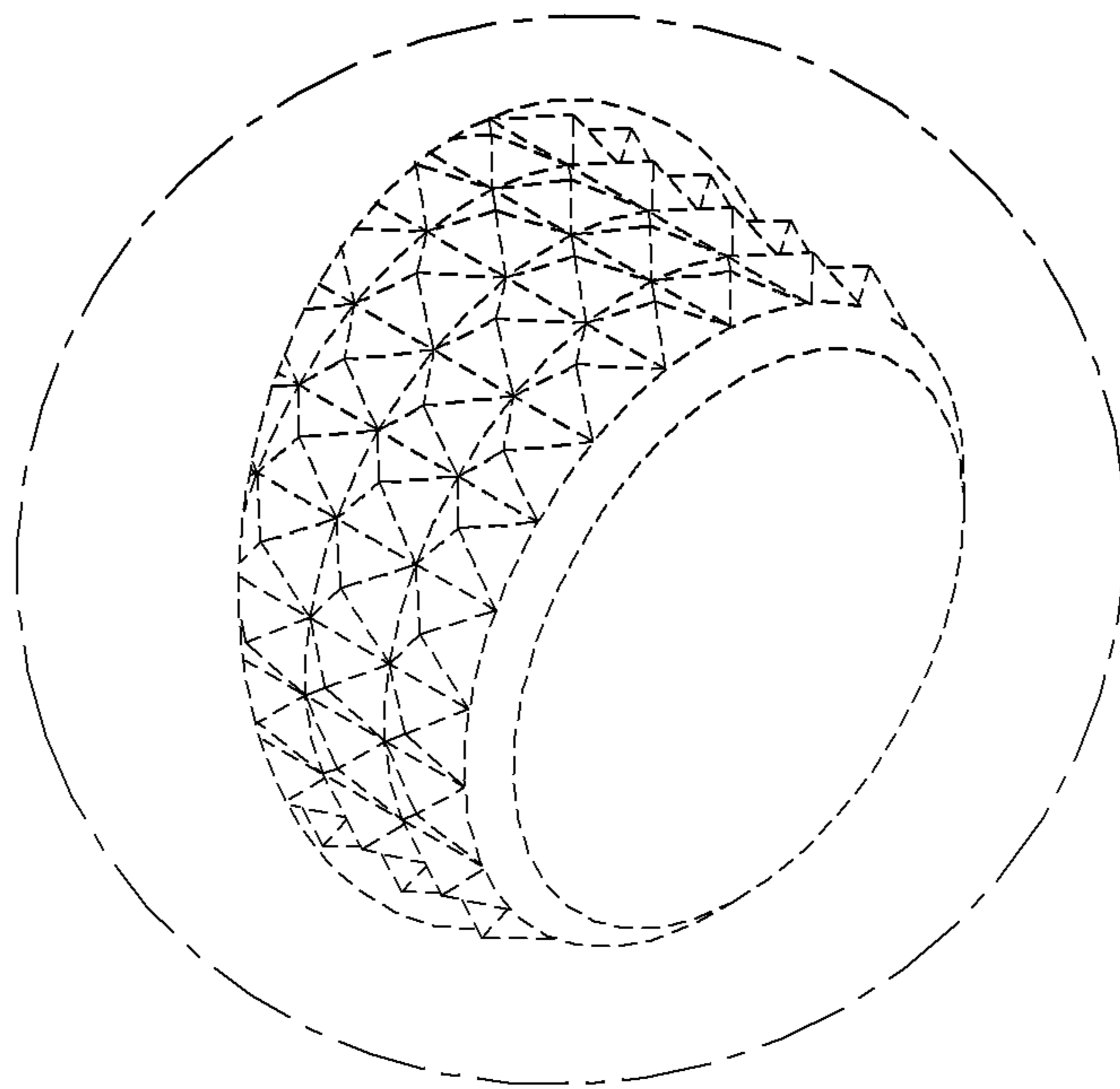


FIG. 10

