



US00D744021S

(12) **United States Design Patent**
Miyata

(10) **Patent No.:** **US D744,021 S**
(45) **Date of Patent:** **** Nov. 24, 2015**

(54) **CAMERA FOR TELEVISION APPARATUS**
(71) Applicant: **Panasonic Corporation**, Kadoma-shi,
Osaka (JP)
(72) Inventor: **Kenji Miyata**, Osaka (JP)
(73) Assignee: **PANASONIC INTELLECTUAL
PROPERTY MANAGEMENT CO.,
LTD.**, Osaka (JP)

(**) Term: **14 Years**
(21) Appl. No.: **29/485,325**
(22) Filed: **Mar. 18, 2014**

(30) **Foreign Application Priority Data**
Dec. 19, 2013 (JP) 2013-029816
(51) **LOC (10) Cl.** **16-01**
(52) **U.S. Cl.**
USPC **D16/202**
(58) **Field of Classification Search**
USPC D16/200, 202-203, 208, 218, 219, 242;
D14/126, 374; 348/14.01-14.6, 143,
348/151, 373-376, 843; 396/419, 427, 535,
396/539-541
CPC G03B 17/02; G03B 19/04; G03B 17/56;
G03B 17/04; G03B 15/03; H04N 5/2251;
H04N 5/2252; H04N 5/2253; H04N 5/2254;
H04N 2101/00; H04N 2007/145; H04N 7/141;
H04N 7/142; H04N 7/147; H04N 7/148;
H04N 7/15; H04N 7/152
See application file for complete search history.

(56) **References Cited**
U.S. PATENT DOCUMENTS
6,417,884 B1 * 7/2002 Chang G06F 1/1601
348/373
D489,746 S * 5/2004 Ogura D16/202
6,930,725 B1 * 8/2005 Hayashi F16M 11/10
348/207.1

(Continued)

Primary Examiner — Adir Aronovich
Assistant Examiner — Ramzi Almatrahi
(74) *Attorney, Agent, or Firm* — Brinks Gilson & Lione

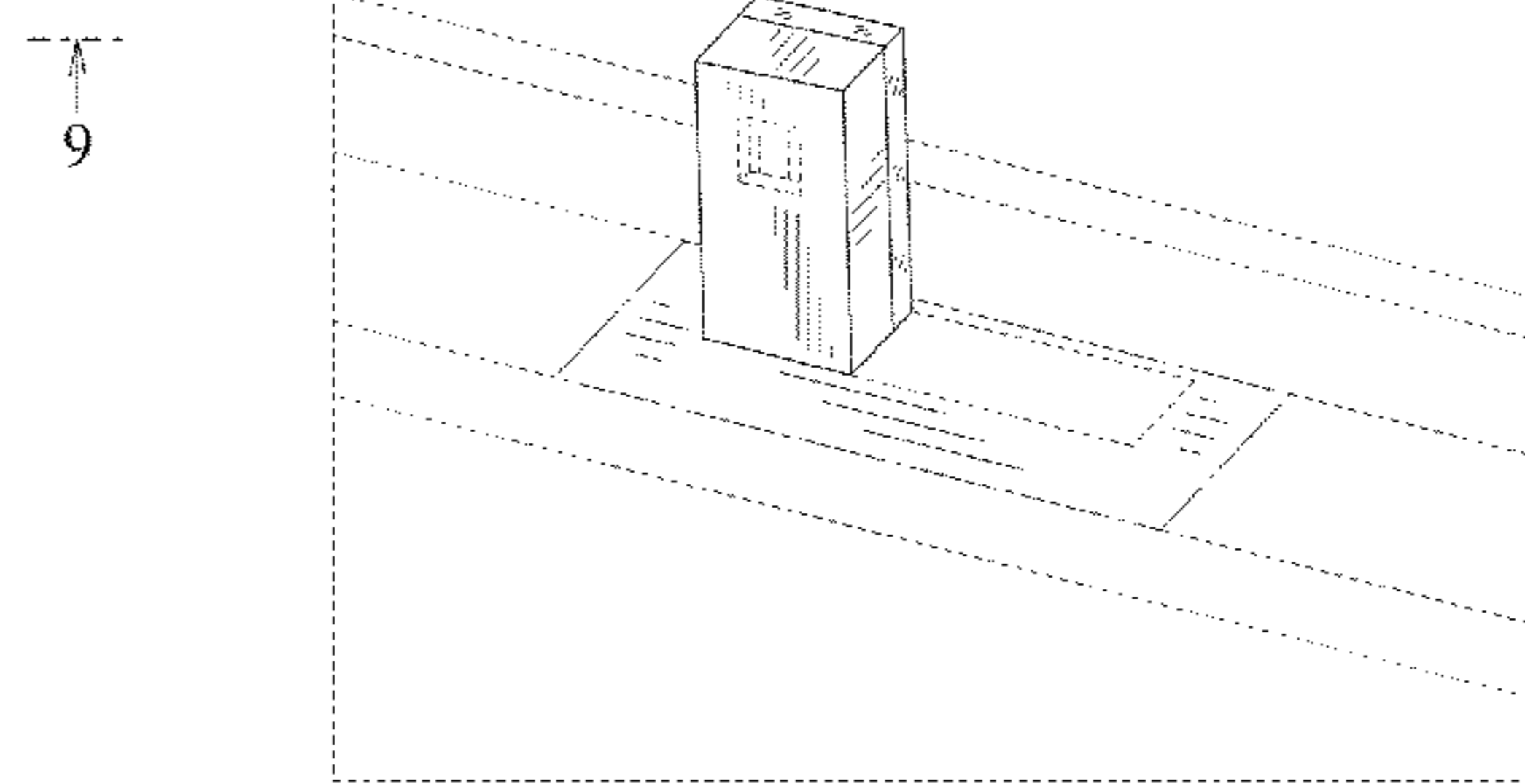
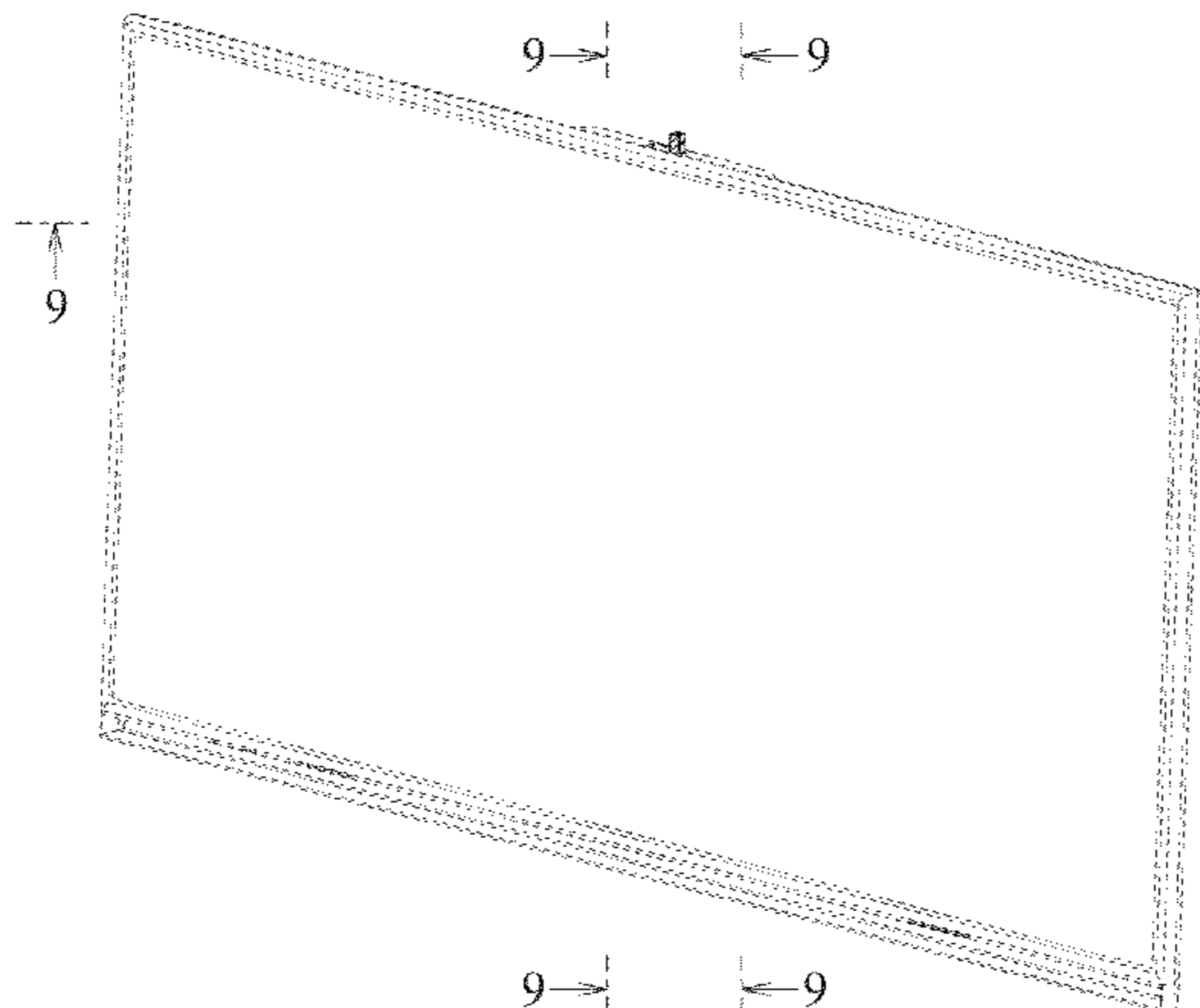
(57) **CLAIM**
The ornamental design for a camera for television apparatus,
as shown and described.

DESCRIPTION

FIG. 1 is a front perspective view of a camera for television apparatus of the present invention;
FIG. 2 is a rear perspective view thereof;
FIG. 3 is a front elevation view thereof;
FIG. 4 is a rear elevation view thereof;
FIG. 5 is a left side elevation view thereof;
FIG. 6 is a right side elevation view thereof;
FIG. 7 is a top plan view thereof;
FIG. 8 is a bottom plan view thereof;
FIG. 9 is an enlarged front perspective view taken along the line 9-9 of FIG. 1, showing the camera in an open position;
FIG. 10 is an enlarged rear perspective view thereof, taken along the line 10-10 of FIG. 2;
FIG. 11 is an enlarged front elevation view thereof, taken along the line 11-11 of FIG. 3;
FIG. 12 is an enlarged rear elevation view thereof, taken along the line 12-12 of FIG. 4;
FIG. 13 is an enlarged right side elevation view thereof, taken along the line 13-13 of FIG. 6;
FIG. 14 is an enlarged top plan view thereof, taken along the line 14-14 of FIG. 7;
FIG. 15 is an enlarged front perspective view showing the camera in a partially open position; and
FIG. 16 is an enlarged front perspective view showing the camera in a closed position.

The broken lines in the drawing are included for the purpose of illustrating environmental subject matter and form no part of the claimed design. Additionally, the dash-dot lines define the boundary of the claim and form no part of the claimed design.

1 Claim, 16 Drawing Sheets



(56)

References Cited

U.S. PATENT DOCUMENTS

7,061,536 B2 *	6/2006	Cha	G06F 1/1616	348/376
D581,960 S *	12/2008	Kim	D16/218	
D586,837 S *	2/2009	McCoin	D16/203	
D628,221 S *	11/2010	Chen	D16/202	
7,969,505 B2 *	6/2011	Saito	G06F 1/1616	348/370
D650,408 S *	12/2011	Kim	D16/202	
D680,569 S *	4/2013	Lee	D16/202	
8,514,337 B2 *	8/2013	Sakurada	H04N 5/2257	345/207
D706,850 S *	6/2014	Takami	D16/202	
2009/0231484 A1 *	9/2009	Lee	G06F 1/1616	348/373
2013/0169734 A1 *	7/2013	Lee	H04N 7/141	348/14.01
2013/0169740 A1 *	7/2013	Lee	H04N 7/142	348/14.05

* cited by examiner

FIG. 1

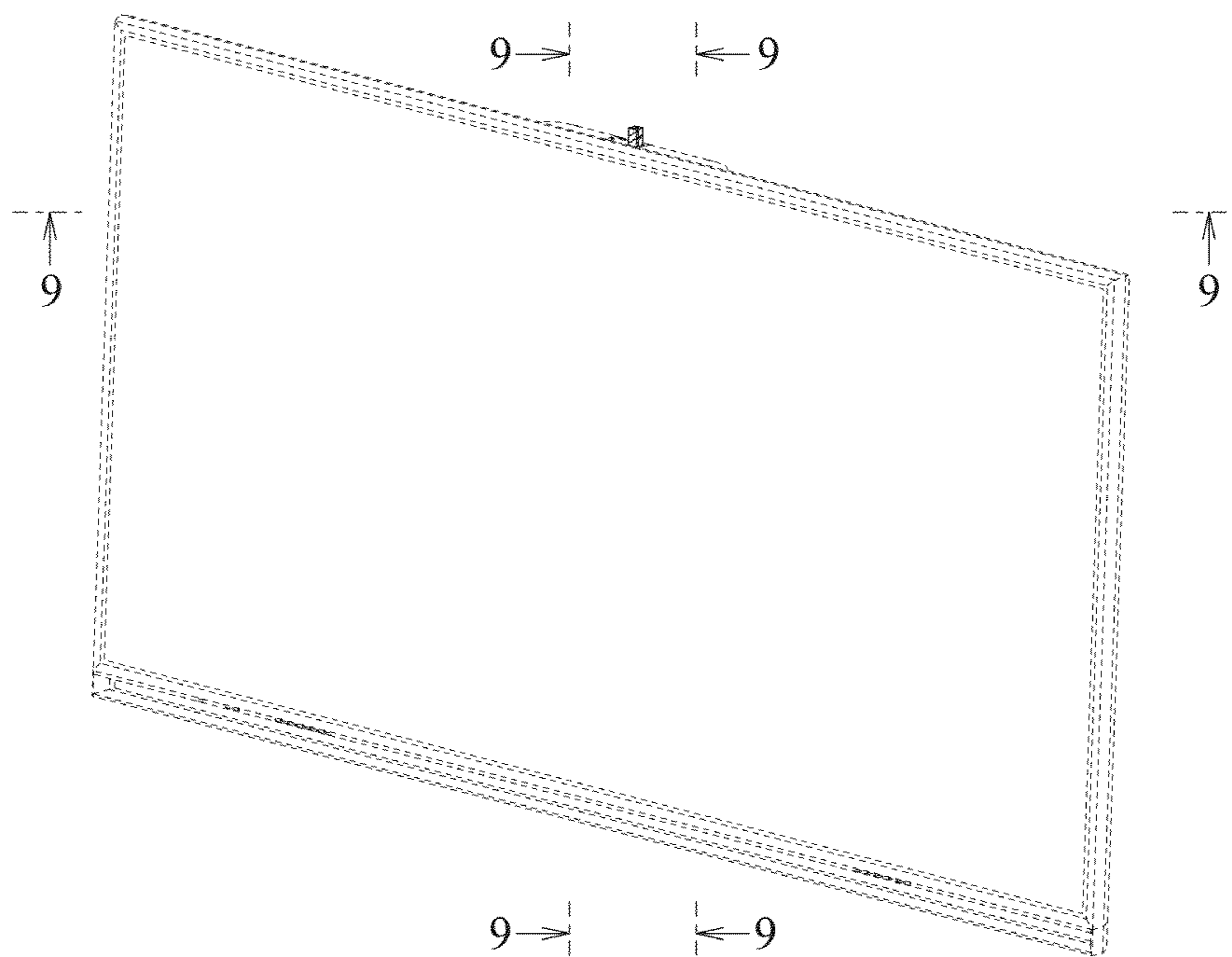


FIG.2

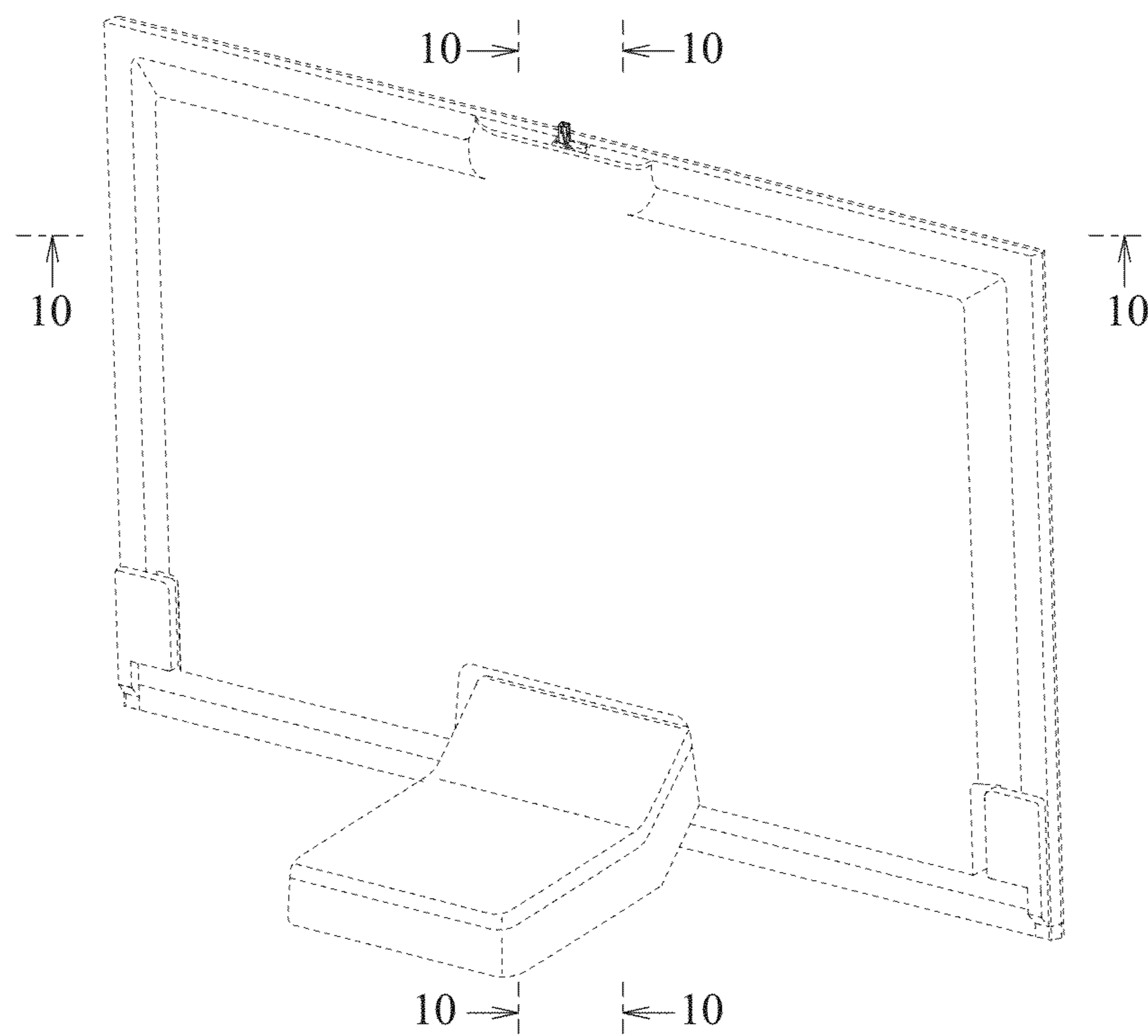


FIG.3

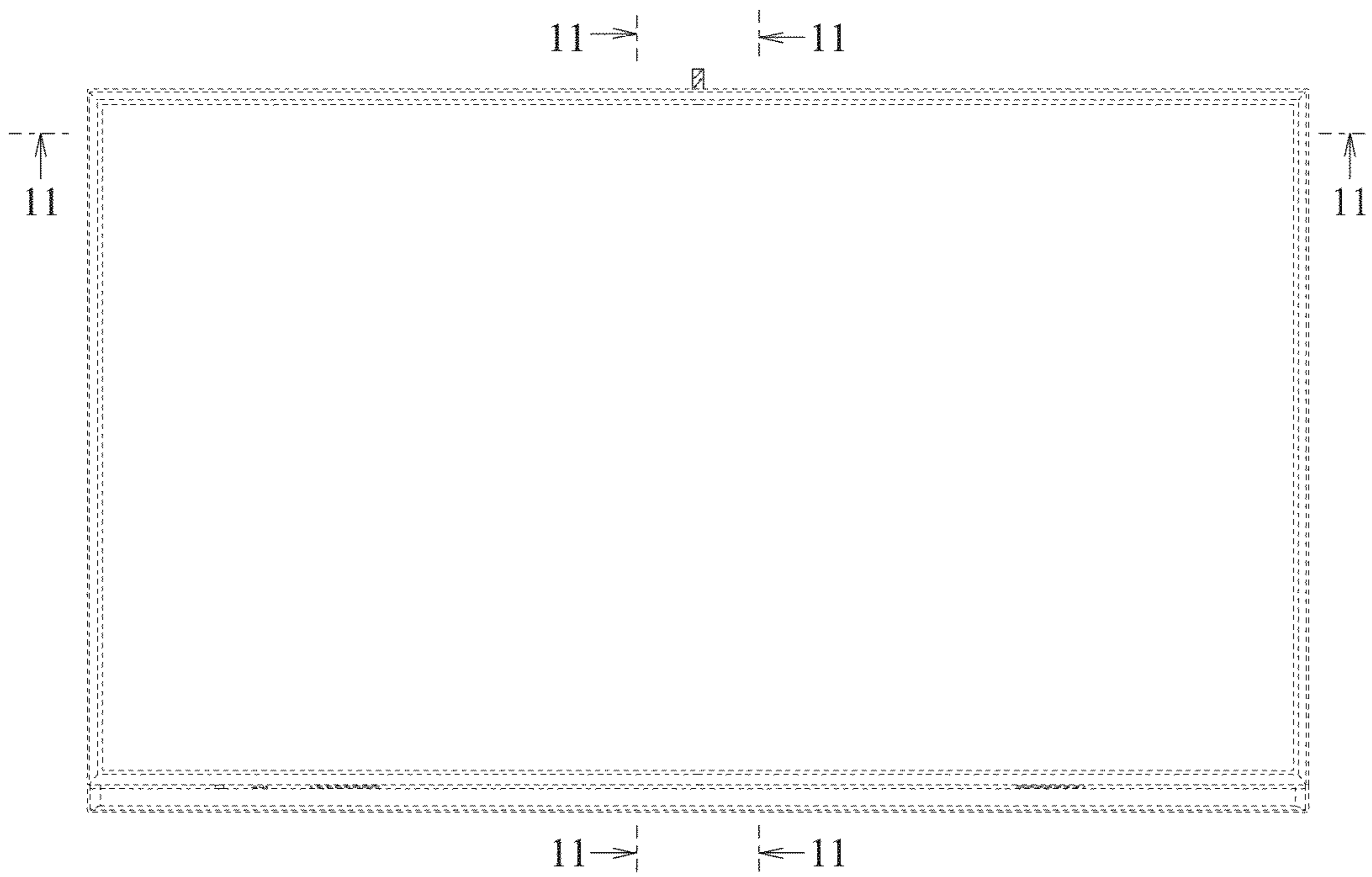


FIG.4

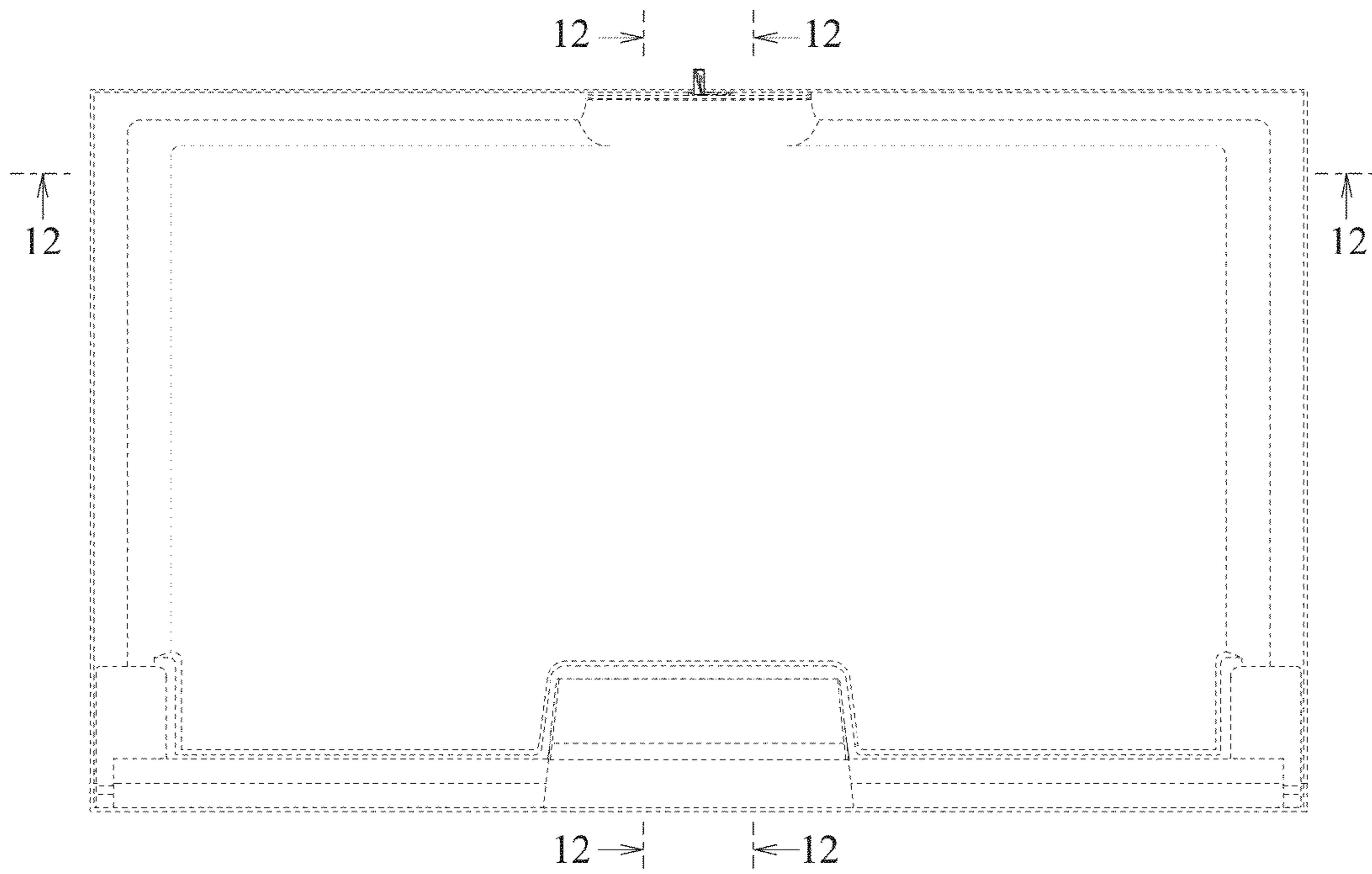


FIG.5

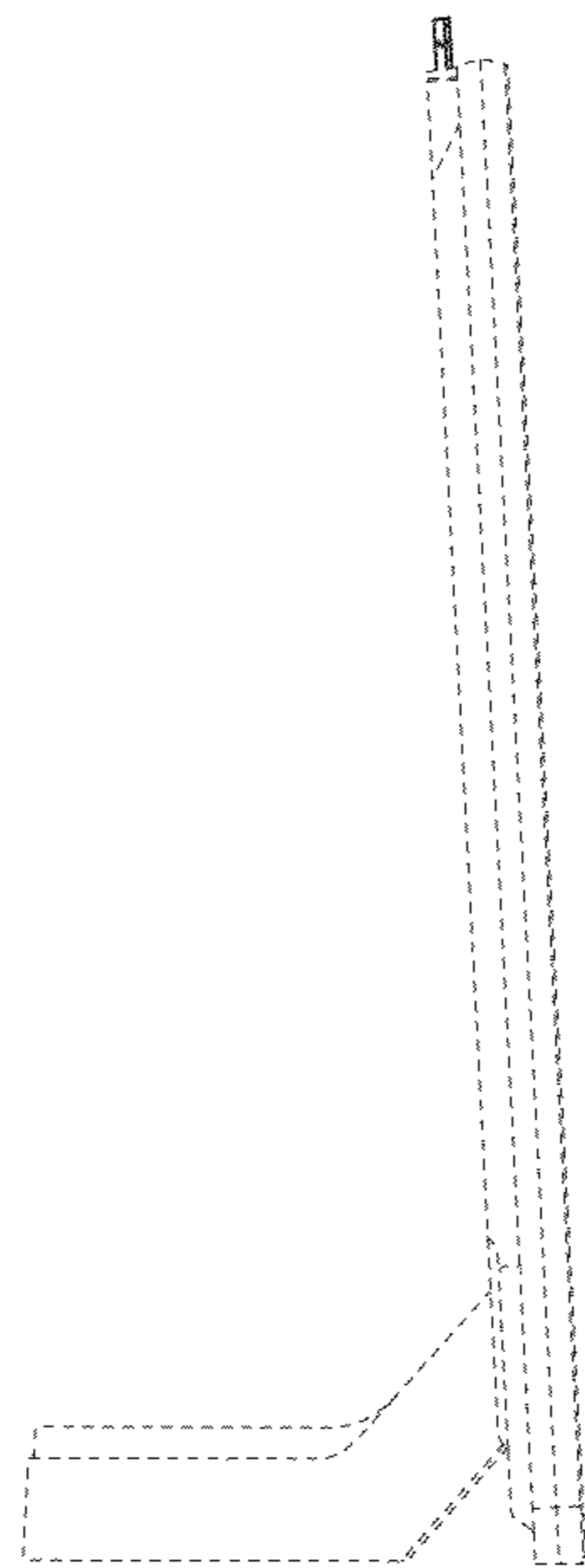


FIG.6

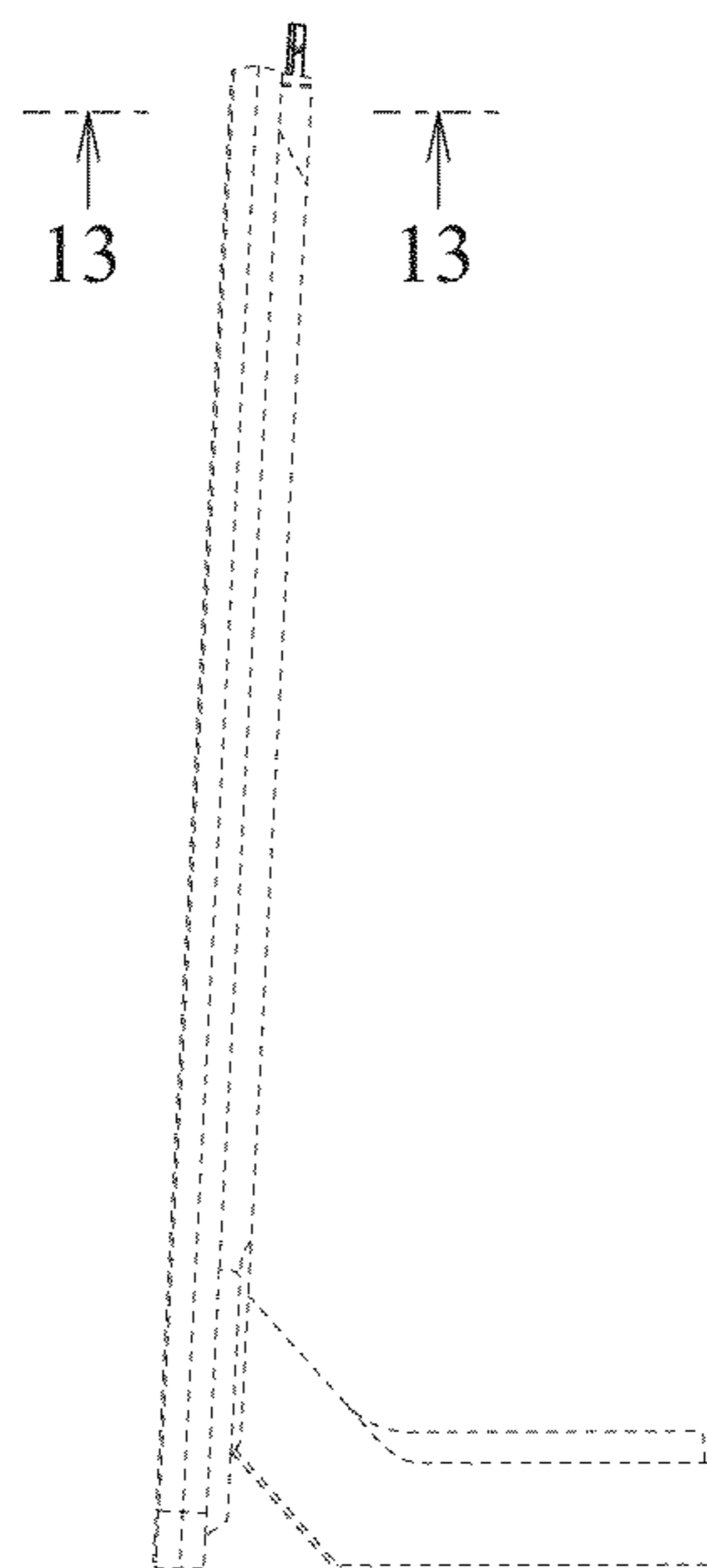


FIG. 7

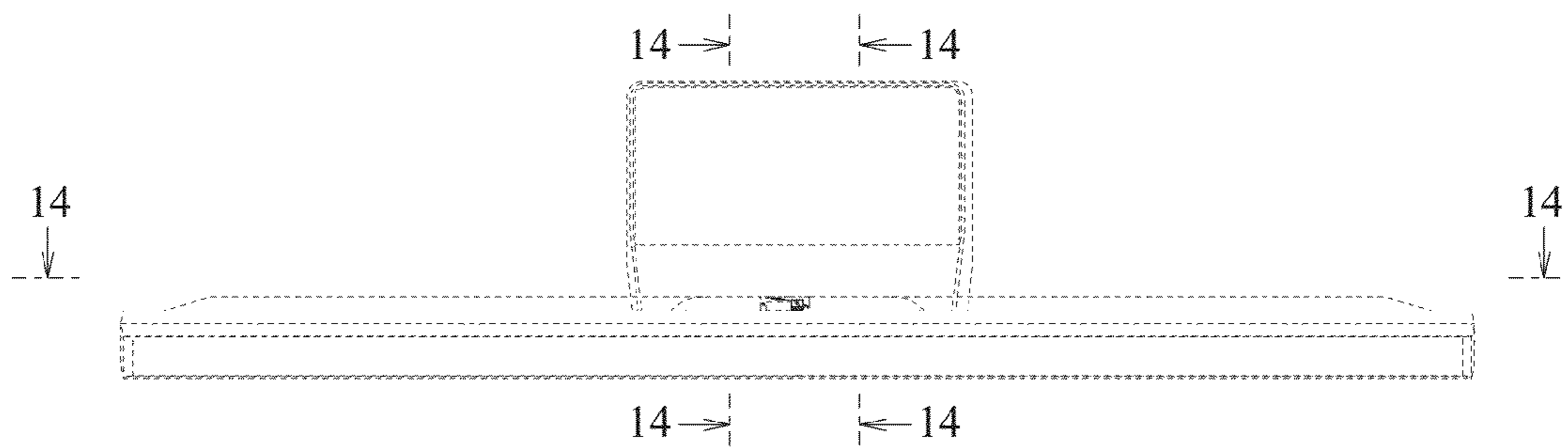


FIG. 8

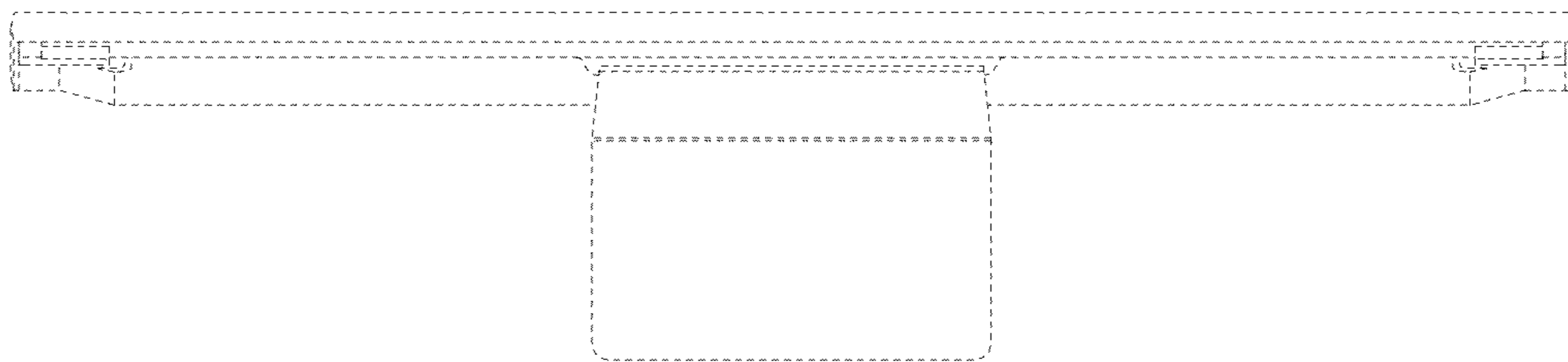


FIG.9

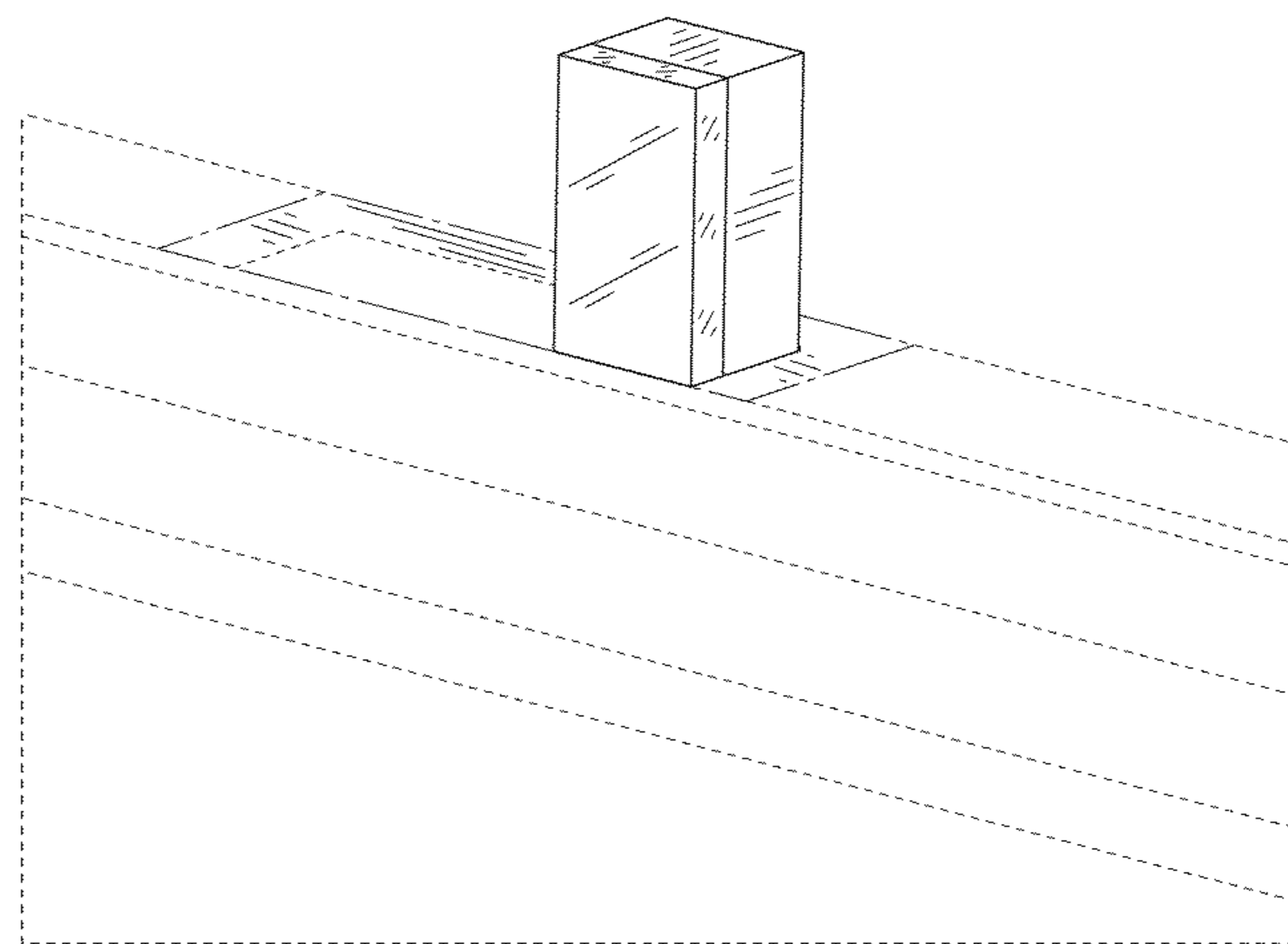


FIG. 10

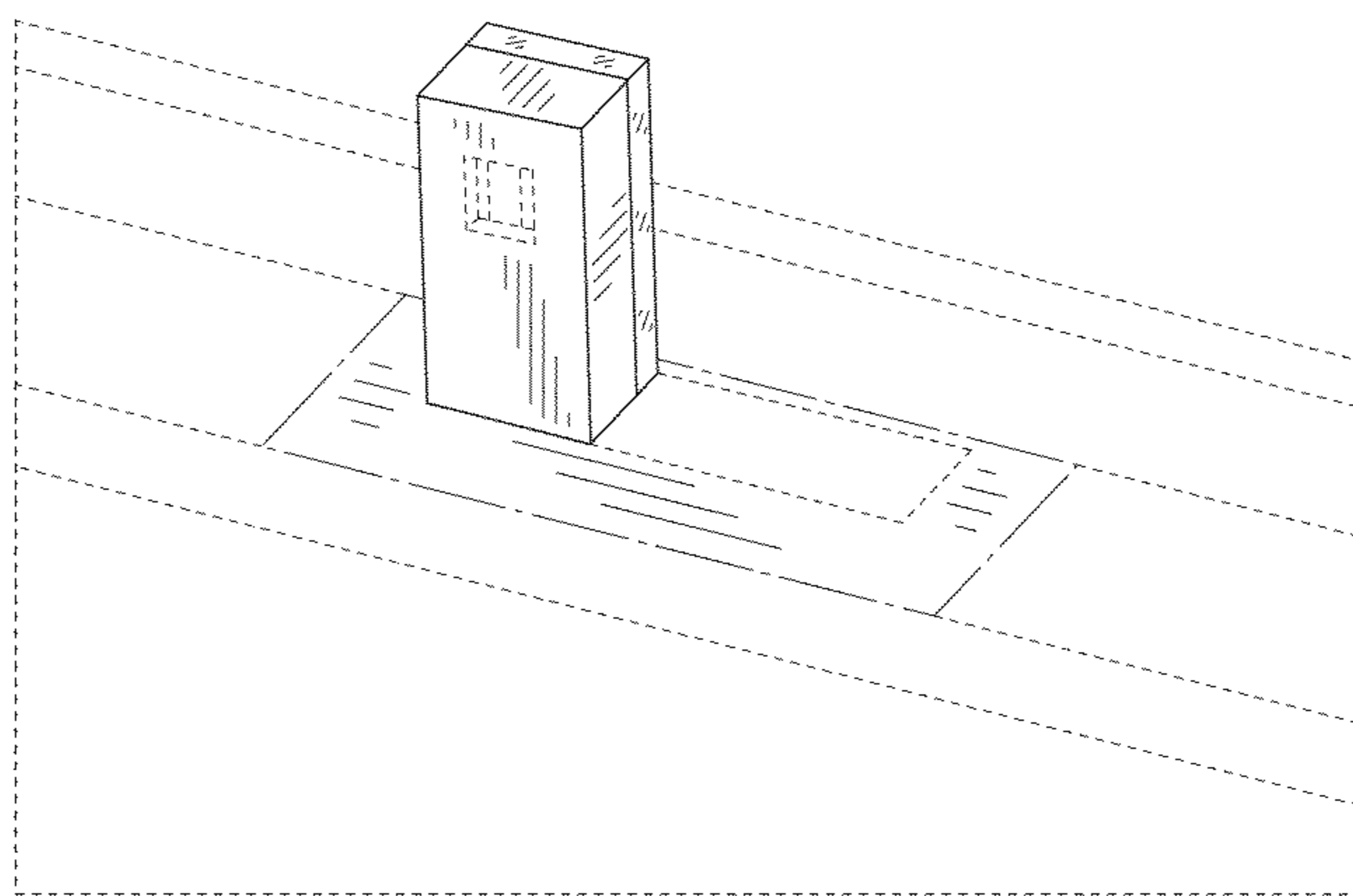


FIG. 11

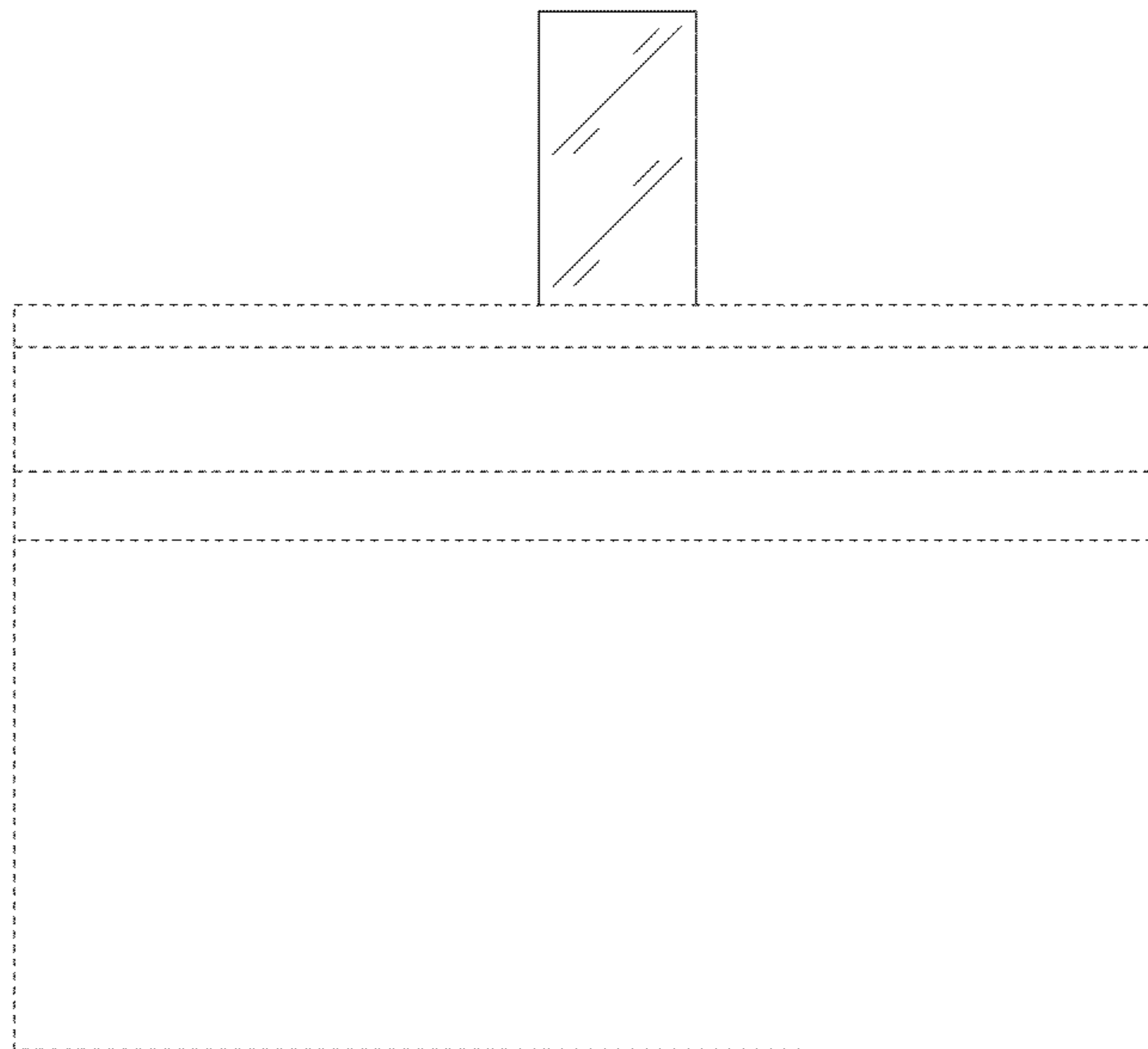


FIG.12

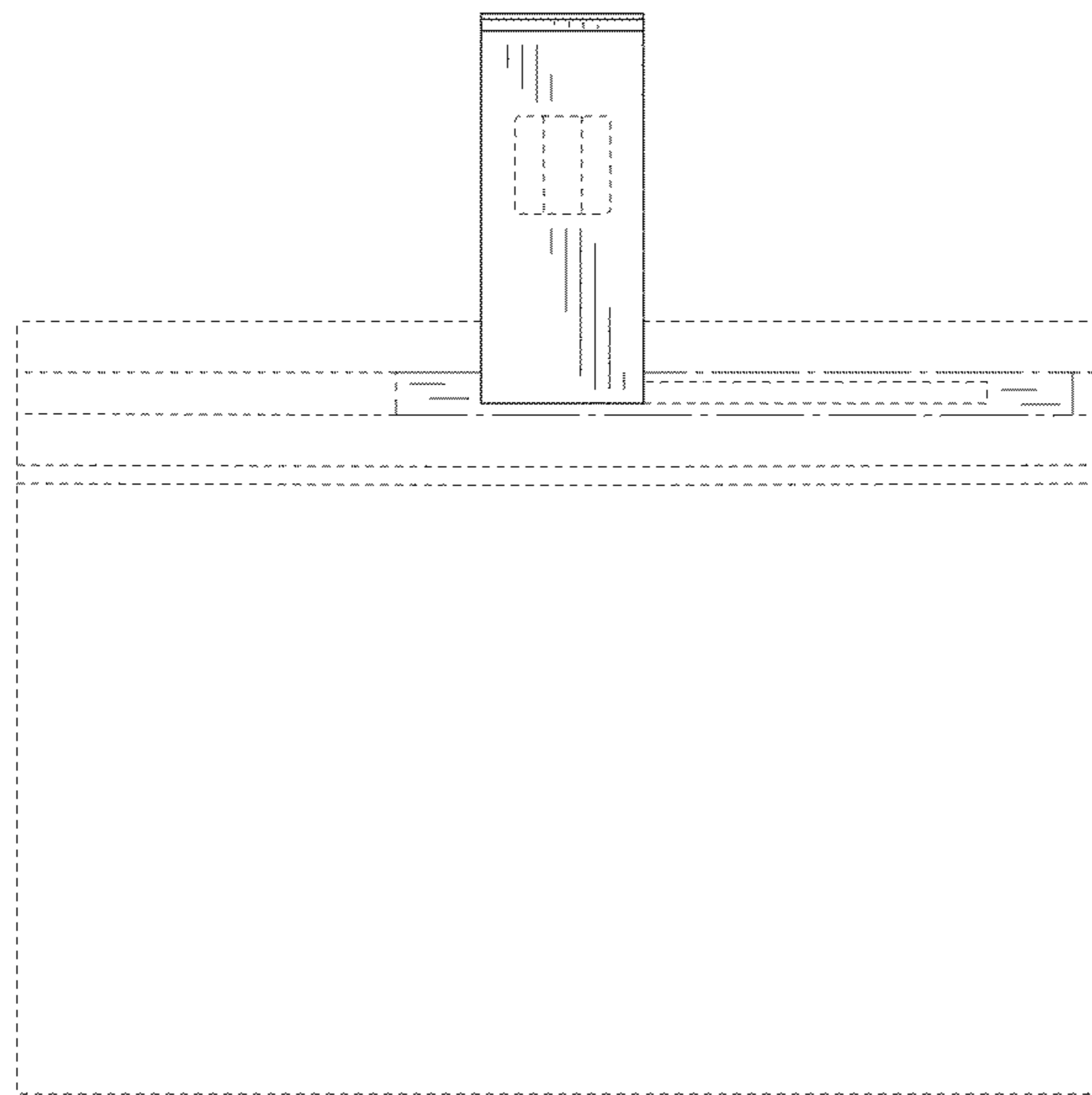


FIG.13

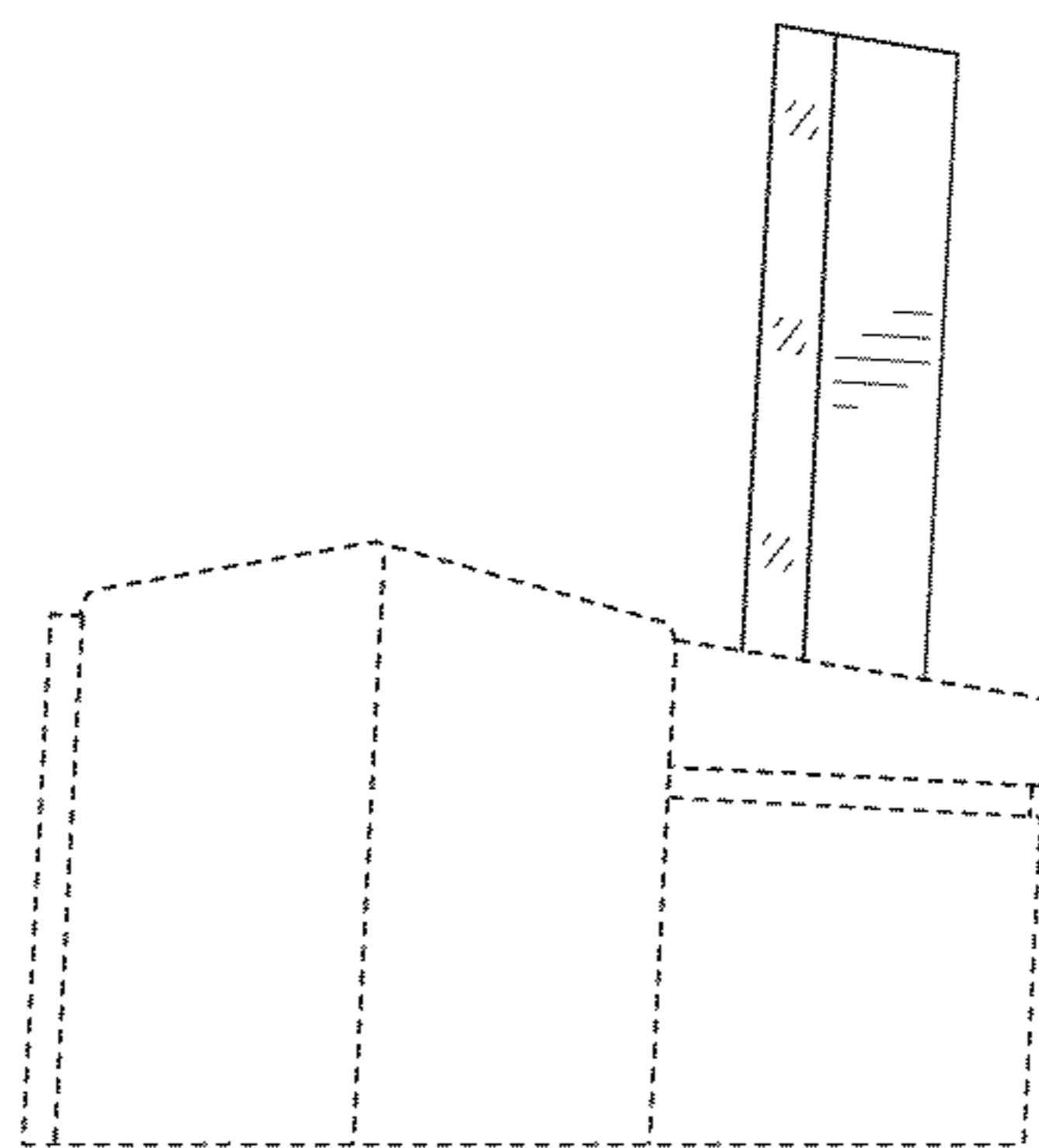


FIG.14

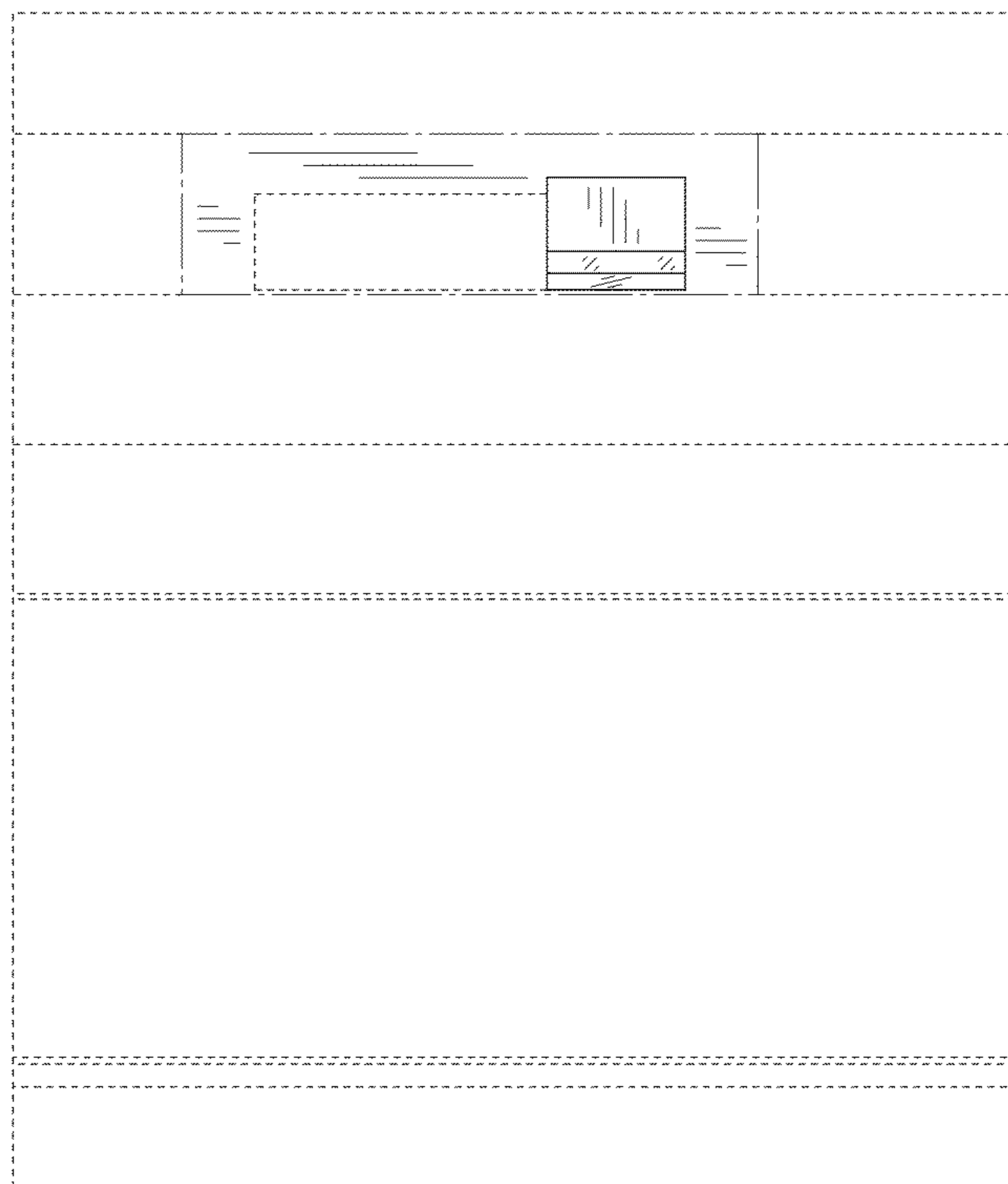


FIG. 15

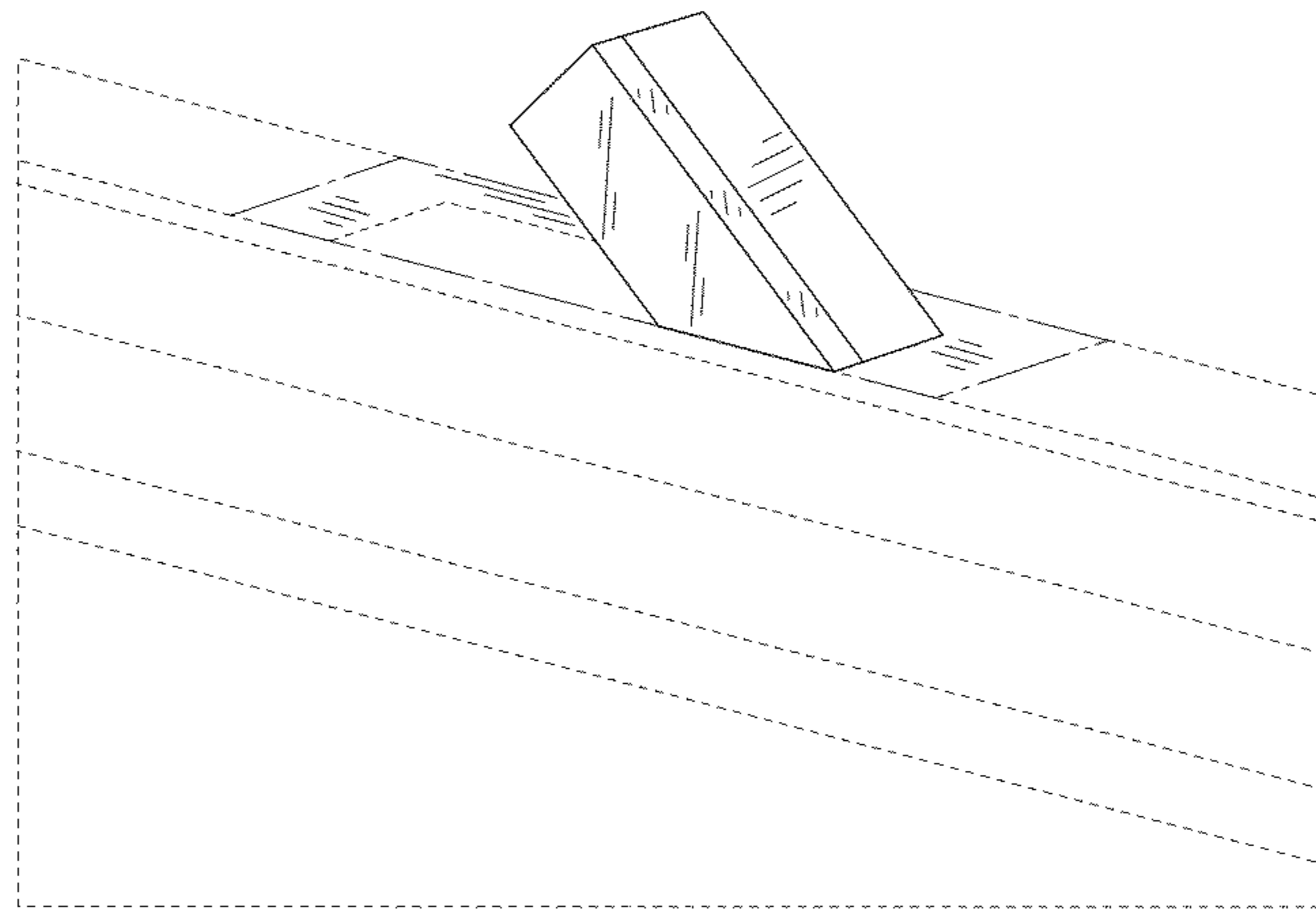


FIG. 16

