



US00D744020S

(12) **United States Design Patent**  
**Noh**

(10) **Patent No.:** **US D744,020 S**

(45) **Date of Patent:** **\*\* Nov. 24, 2015**

(54) **DIGITAL CAMERA**

(71) Applicant: **Samsung Electronics Co., Ltd.**,  
Suwon-si (KR)

(72) Inventor: **Kyung-Han Noh**, Seoul (KR)

(73) Assignee: **SAMSUNG ELECTRONICS CO., LTD.**, Suwon-Si (KR)

(\*\*) Term: **14 Years**

(21) Appl. No.: **29/459,934**

(22) Filed: **Jul. 5, 2013**

(30) **Foreign Application Priority Data**

Jan. 5, 2013 (KR) ..... 30-2013-0000773

(51) **LOC (10) Cl.** ..... **16-01**

(52) **U.S. Cl.**  
USPC ..... **D16/202**

(58) **Field of Classification Search**  
USPC ..... D16/200, 202–206, 208, 217, 218, 219;  
348/340, 373–376; 396/89, 176–178,  
396/535, 539–541  
CPC ..... G03B 15/03; G03B 17/02; G03B 17/04;  
G03B 17/56; G03B 19/04; H04N 5/2251;  
H04N 5/2252; H04N 5/2253; H04N 5/2254;  
H04N 2101/00

See application file for complete search history.

(56) **References Cited**

**U.S. PATENT DOCUMENTS**

D444,163 S \* 6/2001 Yoshida ..... D16/202  
D511,351 S \* 11/2005 Yatabe ..... D16/202

D557,308 S \* 12/2007 Matsuda ..... D16/217  
D567,835 S \* 4/2008 Sumita ..... D16/206  
D570,891 S \* 6/2008 Miyahara et al. .... D16/202  
D579,039 S \* 10/2008 Nakamura ..... D16/202  
D594,892 S \* 6/2009 Kamiya et al. .... D16/202  
D595,755 S \* 7/2009 Funakoshi ..... D16/202  
D611,977 S \* 3/2010 Kim et al. .... D16/202  
D620,036 S \* 7/2010 Obata ..... D16/202  
D630,661 S \* 1/2011 Meguro ..... D16/217  
8,131,147 B2 \* 3/2012 Kusatsugu ..... 396/535  
D664,582 S \* 7/2012 Asano et al. .... D16/219  
D696,332 S \* 12/2013 Yanagisawa ..... D16/219  
D706,849 S \* 6/2014 Sakai ..... D16/202  
8,754,981 B2 \* 6/2014 Iyoda et al. .... 348/373

\* cited by examiner

*Primary Examiner* — Adir Aronovich

*Assistant Examiner* — Ramzi Almatrahi

(74) *Attorney, Agent, or Firm* — Staas & Halsey LLP

(57) **CLAIM**

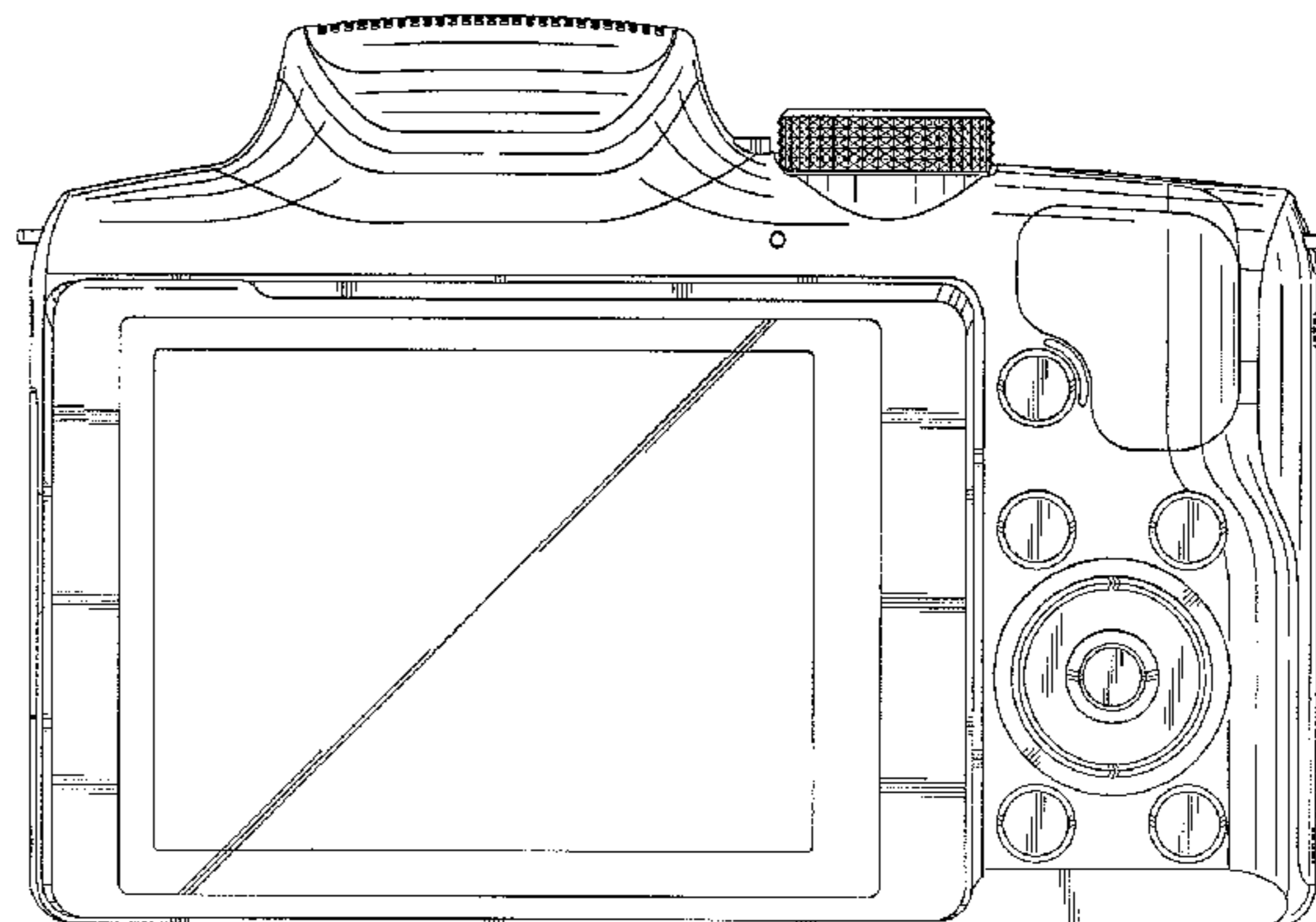
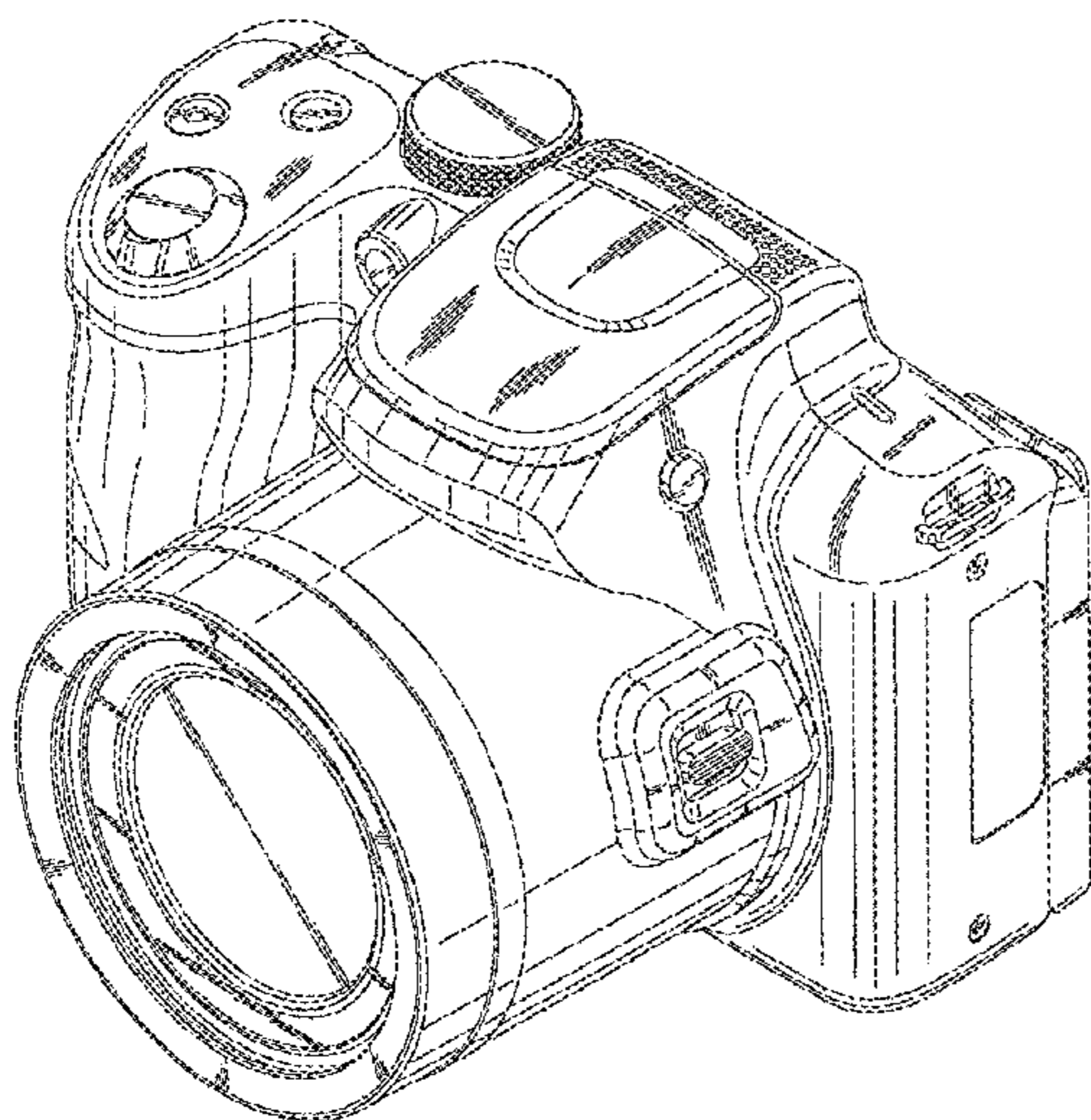
The ornamental design for a digital camera, as shown and described.

**DESCRIPTION**

FIG. 1 is a top front perspective view of a digital camera;  
FIG. 2 is a front view thereof;  
FIG. 3 is a rear view thereof;  
FIG. 4 is a left-side view thereof;  
FIG. 5 is a right-side view thereof;  
FIG. 6 is a top view thereof; and,  
FIG. 7 is a bottom view thereof.

The broken lines shown in the drawings are directed to environment and are for illustration purpose only; the broken lines form no part of the claimed design.

**1 Claim, 4 Drawing Sheets**



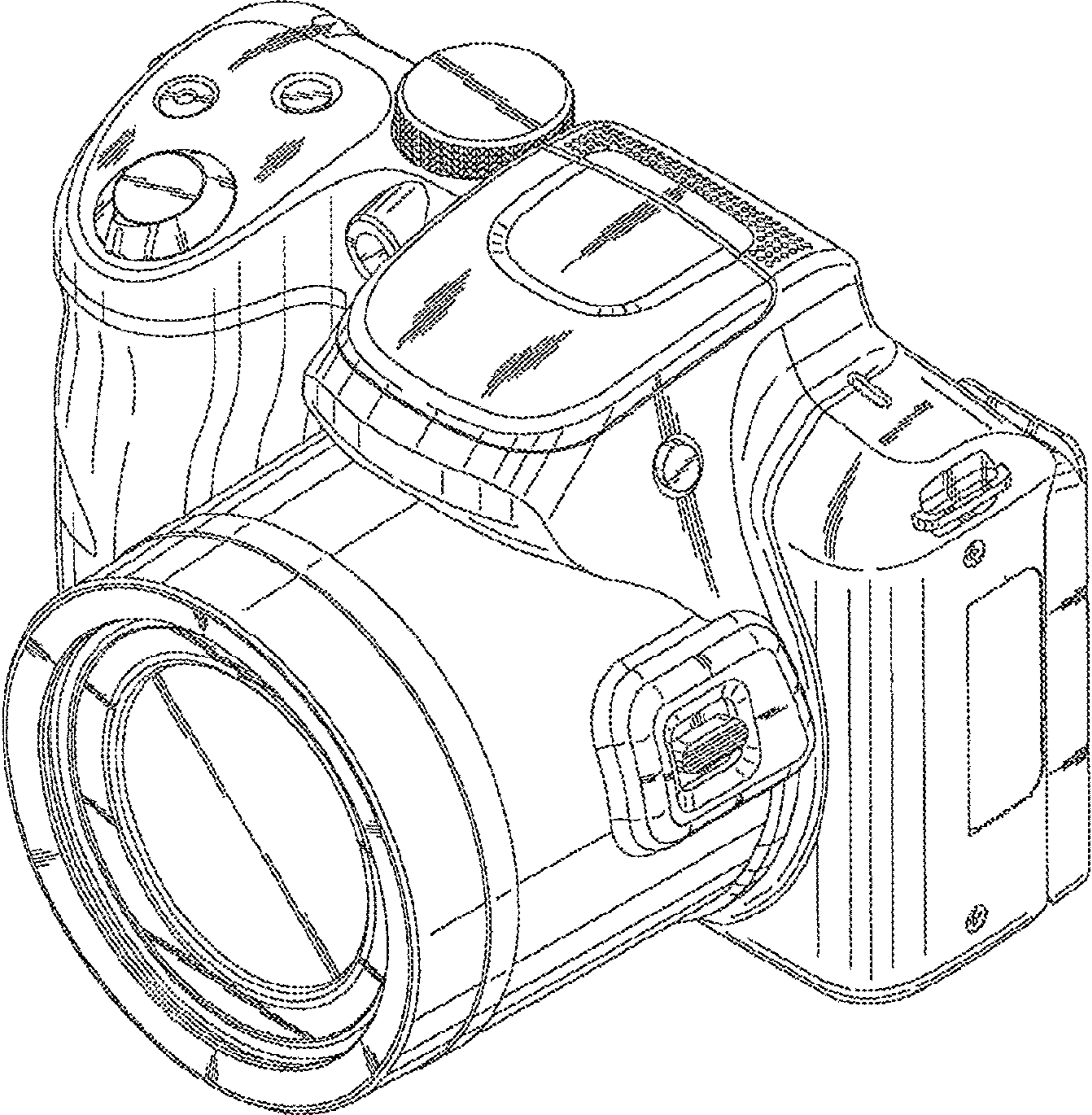


FIG.1

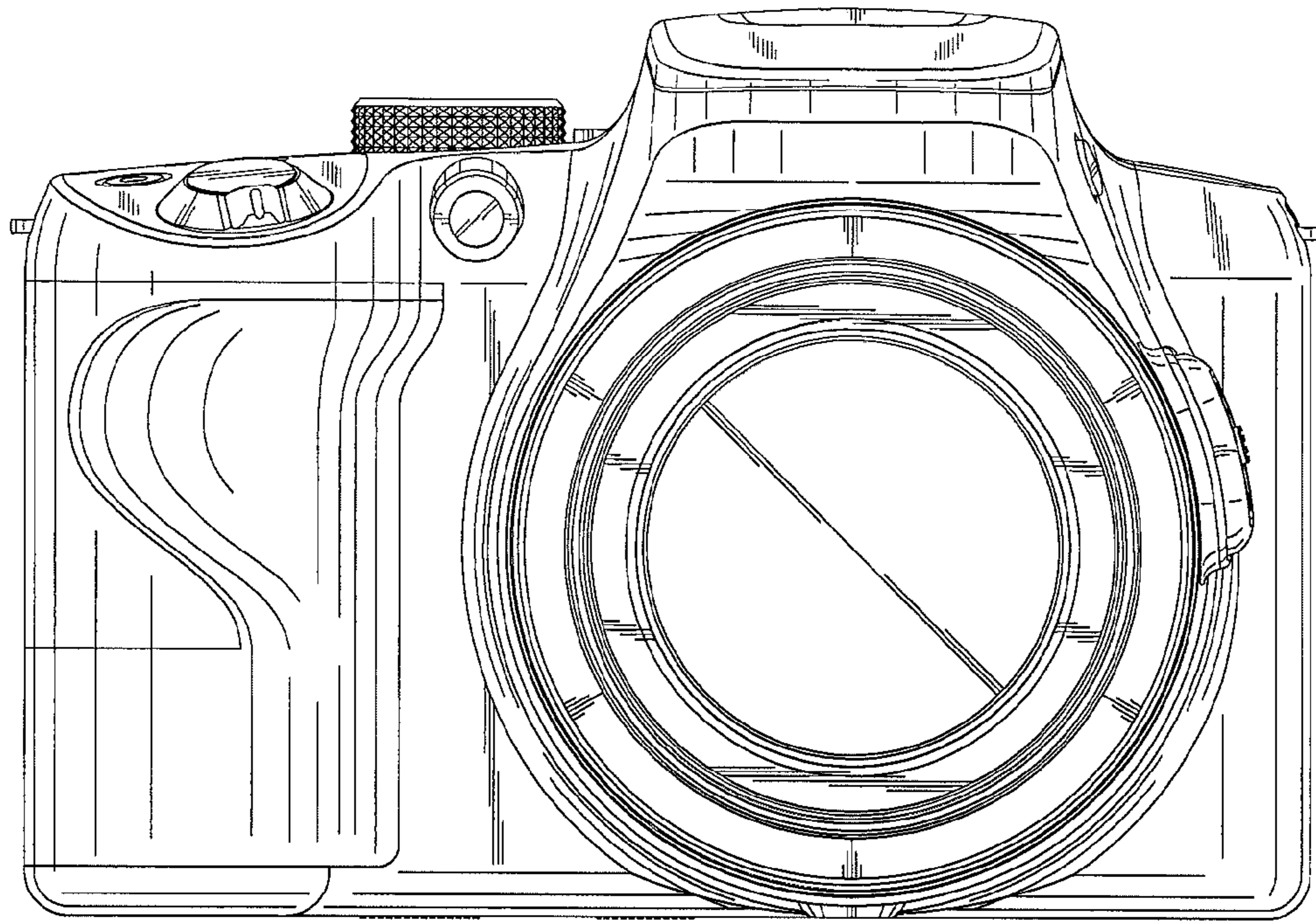


FIG.2

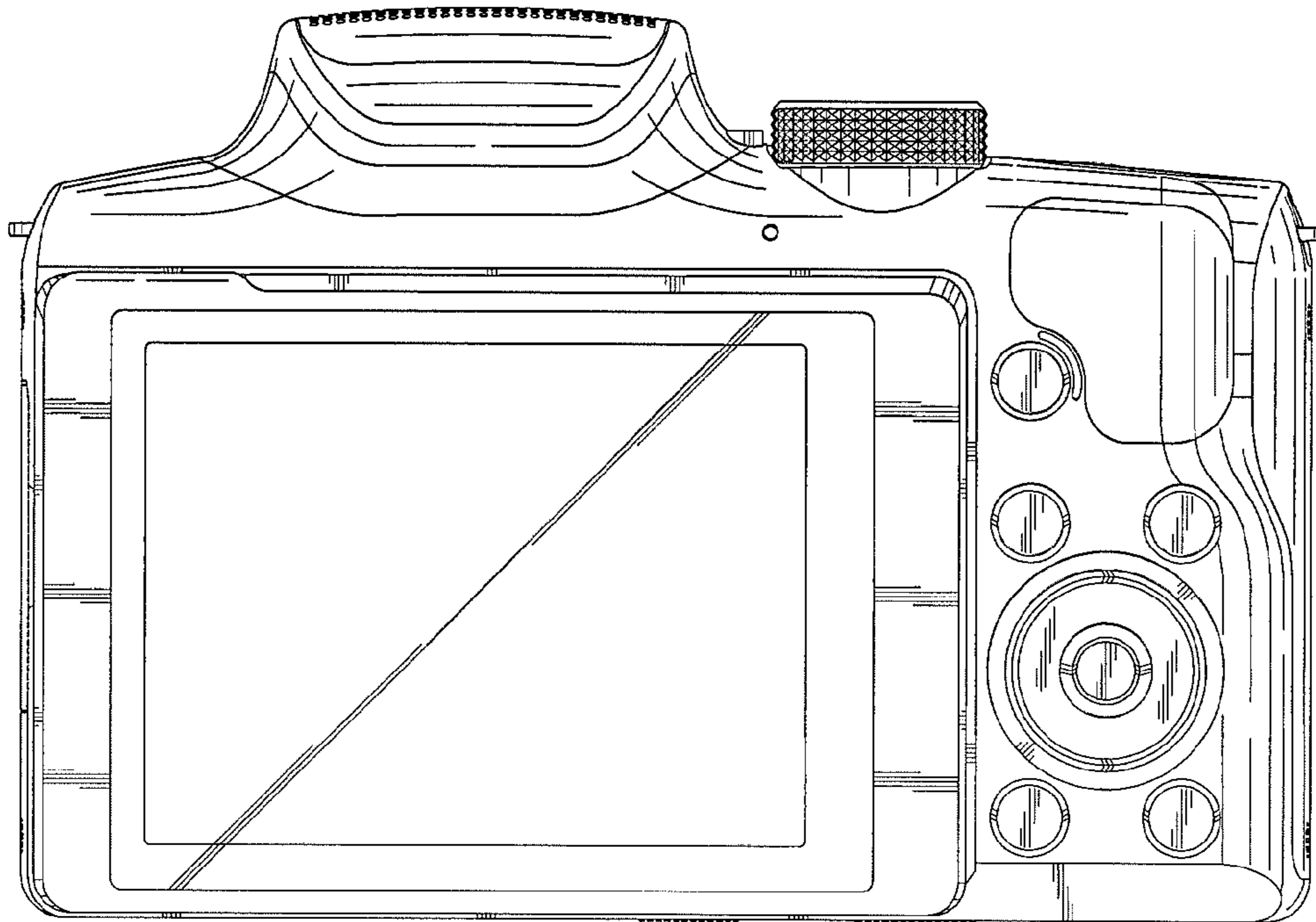


FIG.3

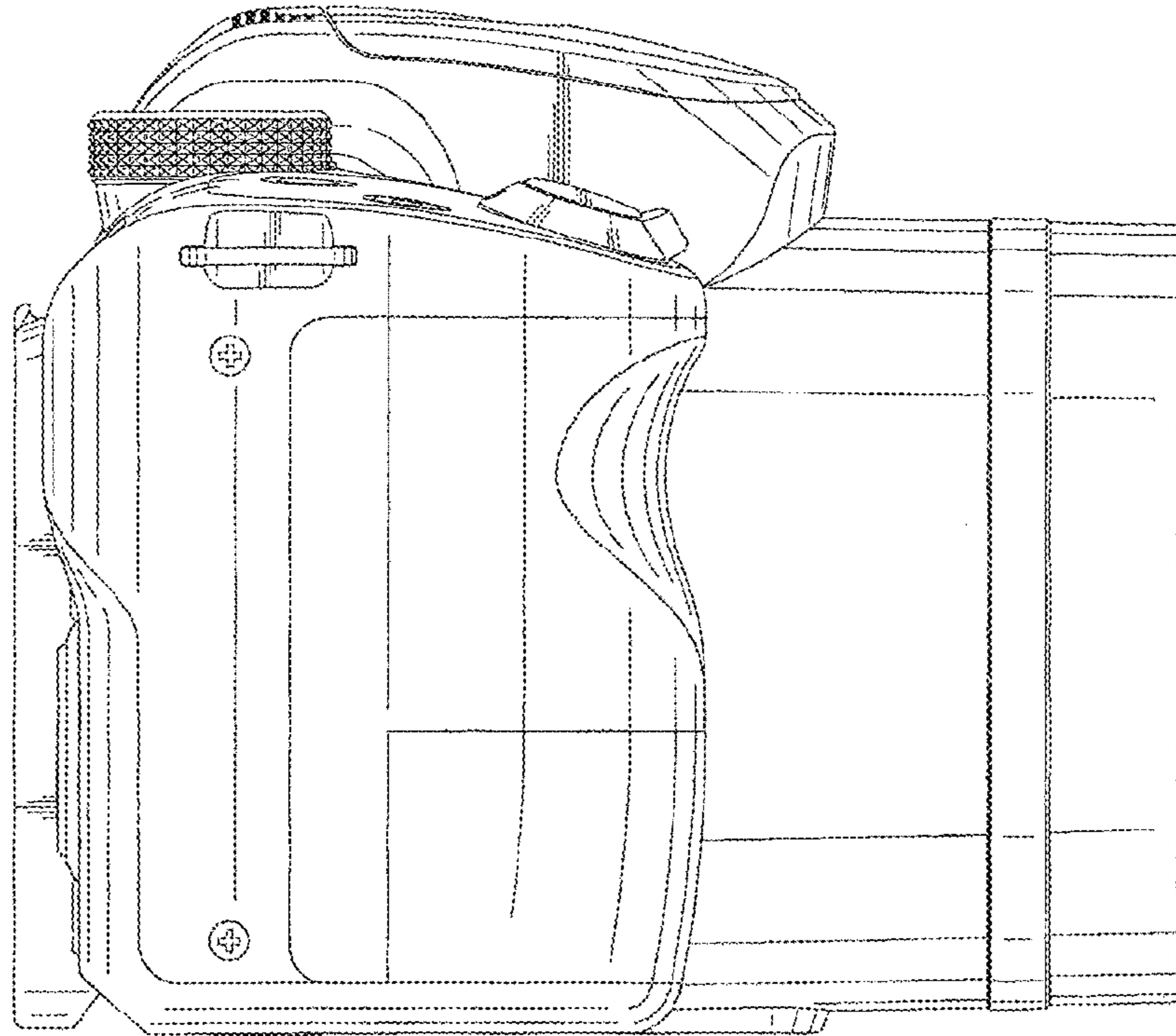


FIG. 4

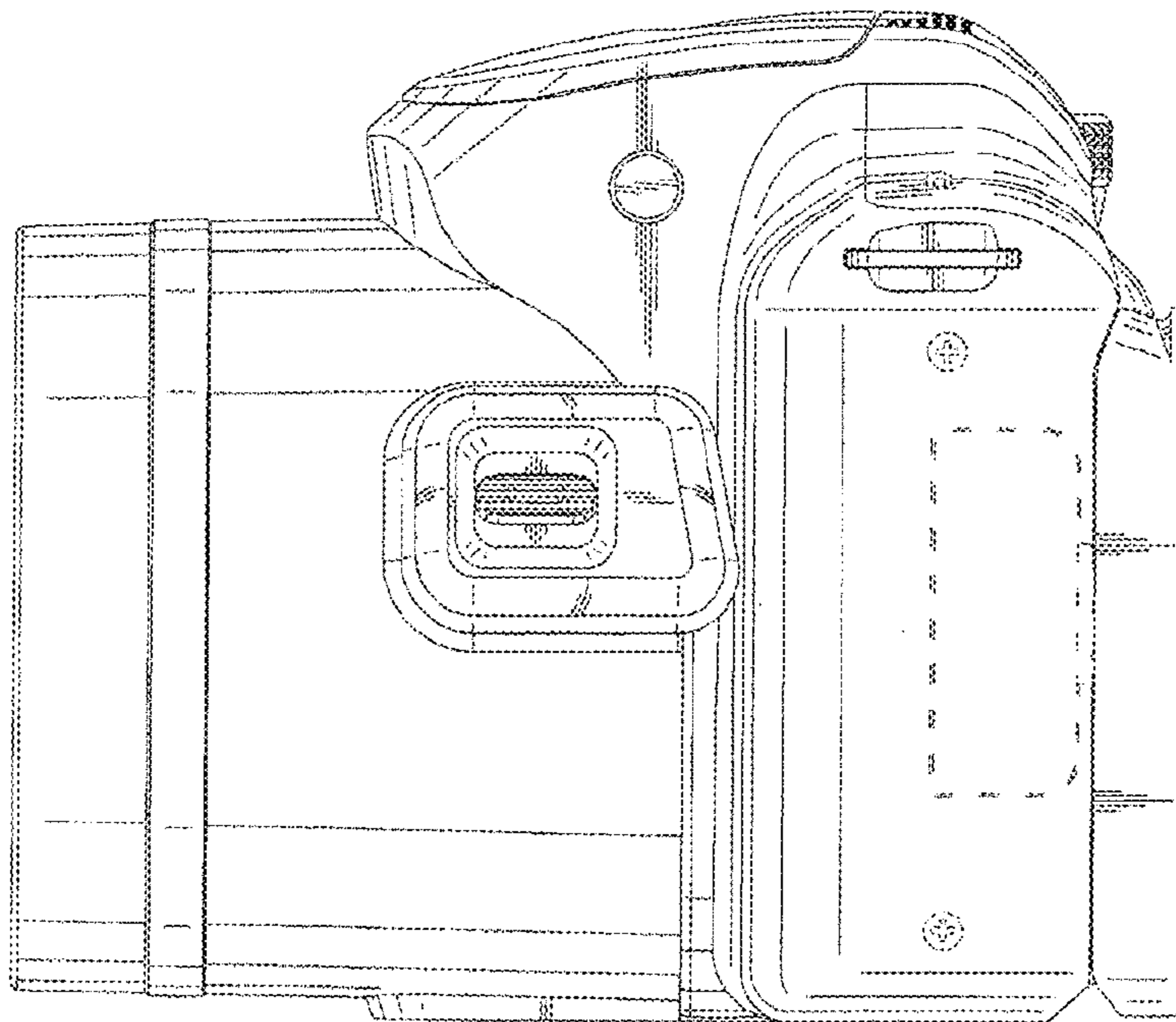


FIG. 5

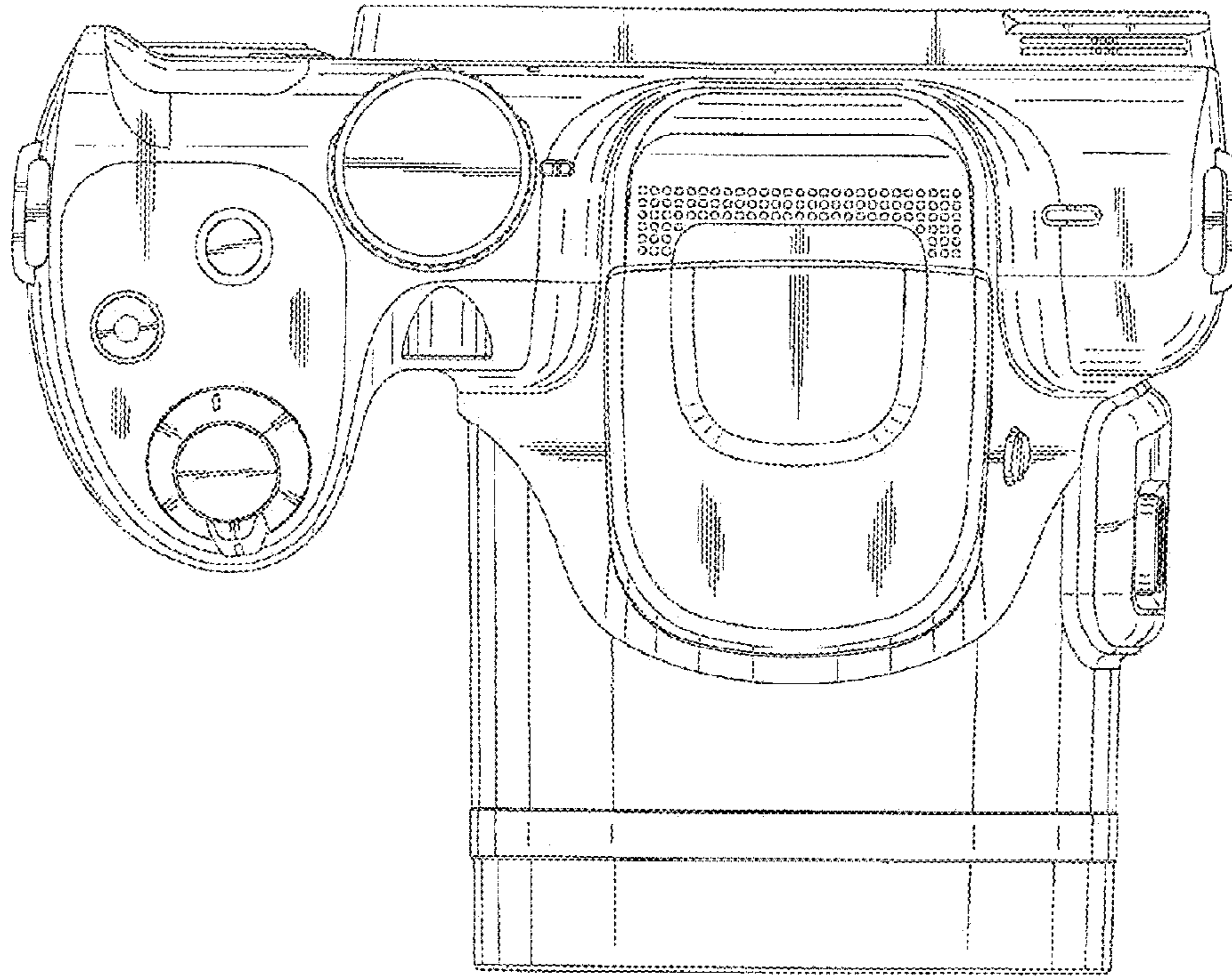


FIG. 6

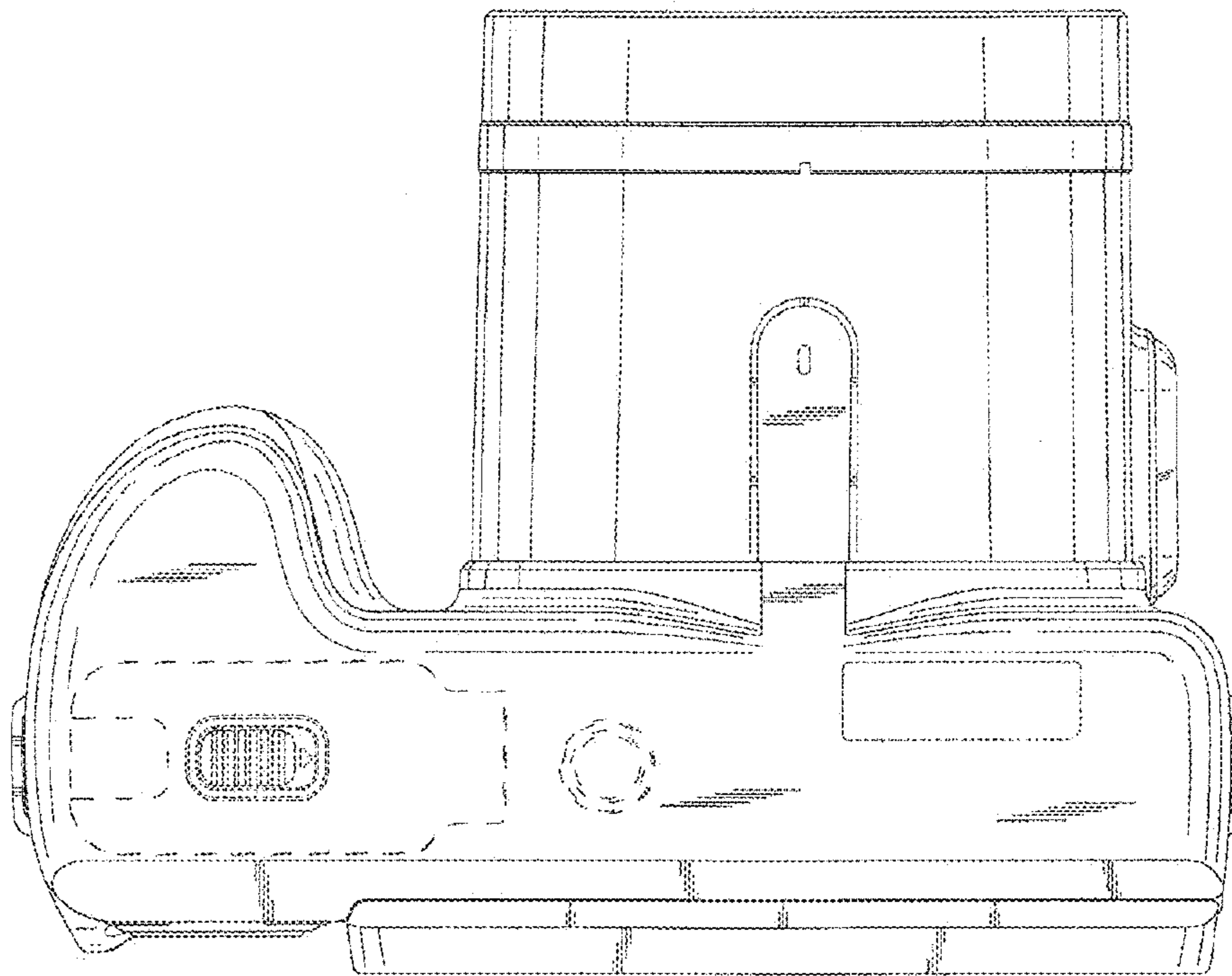


FIG. 7