



US00D744019S

(12) **United States Design Patent**
Evans et al.

(10) **Patent No.:** **US D744,019 S**
(45) **Date of Patent:** **** Nov. 24, 2015**

- (54) **HANDLE DESIGN FOR A PORTABLE WELDING SYSTEM**
- (71) Applicant: **ESAB AB**, Gothenburg (SE)
- (72) Inventors: **Daryll Scott Evans**, Winchester, VA (US); **Mark Lowther**, Warrington (GB); **Cristiano Magalhães Campos Ferreira**, Belo Horizonte (BR)
- (73) Assignee: **The ESAB Group, Inc.**, Florence, SC (US)
- (**) Term: **14 Years**
- (21) Appl. No.: **29/508,565**
- (22) Filed: **Nov. 7, 2014**
- (51) **LOC (10) Cl.** **15-09**
- (52) **U.S. Cl.**
USPC **D15/144**
- (58) **Field of Classification Search**
USPC D8/316; D14/349; D15/144, 144.1, D15/144.2
See application file for complete search history.

(56) **References Cited**

U.S. PATENT DOCUMENTS

D272,743	S	*	2/1984	Knox	D15/144
D280,329	S	*	8/1985	Bouman	D15/144
D289,823	S	*	5/1987	Chaney	D15/144
D297,783	S	*	9/1988	Chaney	D15/144
4,913,772	A	*	4/1990	Taylor	B29C 65/1432 156/499
D357,263	S	*	4/1995	Soderholm	D15/144.2
D357,927	S	*	5/1995	Soderholm	D15/144.1
D364,148	S	*	11/1995	Jasinski	D14/349
D418,490	S	*	1/2000	Jobs	D14/351
D425,530	S	*	5/2000	Lafitte	D15/144
6,479,795	B1	*	11/2002	Albrecht	B23K 9/124 219/136
D467,257	S	*	12/2002	Andersson	D15/144
D482,376	S	*	11/2003	Jeter	D15/144
D484,897	S	*	1/2004	Hohenshelt	D15/144.1
D485,268	S	*	1/2004	Andre	D14/349
D497,163	S	*	10/2004	Andre	D14/349
D511,163	S	*	11/2005	Su	D14/349
D518,078	S	*	3/2006	Persson	D15/144.1
D520,038	S	*	5/2006	Ljungfeldt	D15/144.1

D556,798	S	*	12/2007	Franco	D15/144
D569,883	S	*	5/2008	Wang	D15/144
D569,884	S	*	5/2008	Shu	D15/144
D621,430	S	*	8/2010	Christen	D15/144
D626,576	S	*	11/2010	Gramatyka	D15/144
D629,028	S	*	12/2010	Johnson	D15/144
D642,604	S	*	8/2011	Rohrer	D15/144
D652,436	S	*	1/2012	Ostlund	D15/144
D653,271	S	*	1/2012	Kindig	D15/144
D654,519	S	*	2/2012	Wujczak	D15/144
D654,521	S	*	2/2012	Flubacher	D15/144
D665,833	S	*	8/2012	Raymond	D15/144
D679,738	S	*	4/2013	Segala	D15/144
D697,099	S	*	1/2014	Berengut	D15/144
D699,771	S	*	2/2014	Barrett	D15/144
D737,112	S	*	8/2015	Han	D8/316
2006/0207981	A1	*	9/2006	Diekmann	B23K 9/1336 219/137.2
2007/0284352	A1	*	12/2007	Lynaugh	B23K 9/323 219/137.2
2008/0156783	A1	*	7/2008	Vanden Heuvel	B23K 9/125 219/137.2
2009/0166345	A1	*	7/2009	Enyedy	B23K 9/133 219/137.2
2009/0277882	A1	*	11/2009	Bornemann	B23K 10/00 219/121.39
2010/0314373	A1	*	12/2010	Patterson	B65H 51/14 219/136
2014/0238965	A1	*	8/2014	Spisic	B23K 9/1087 219/132

* cited by examiner

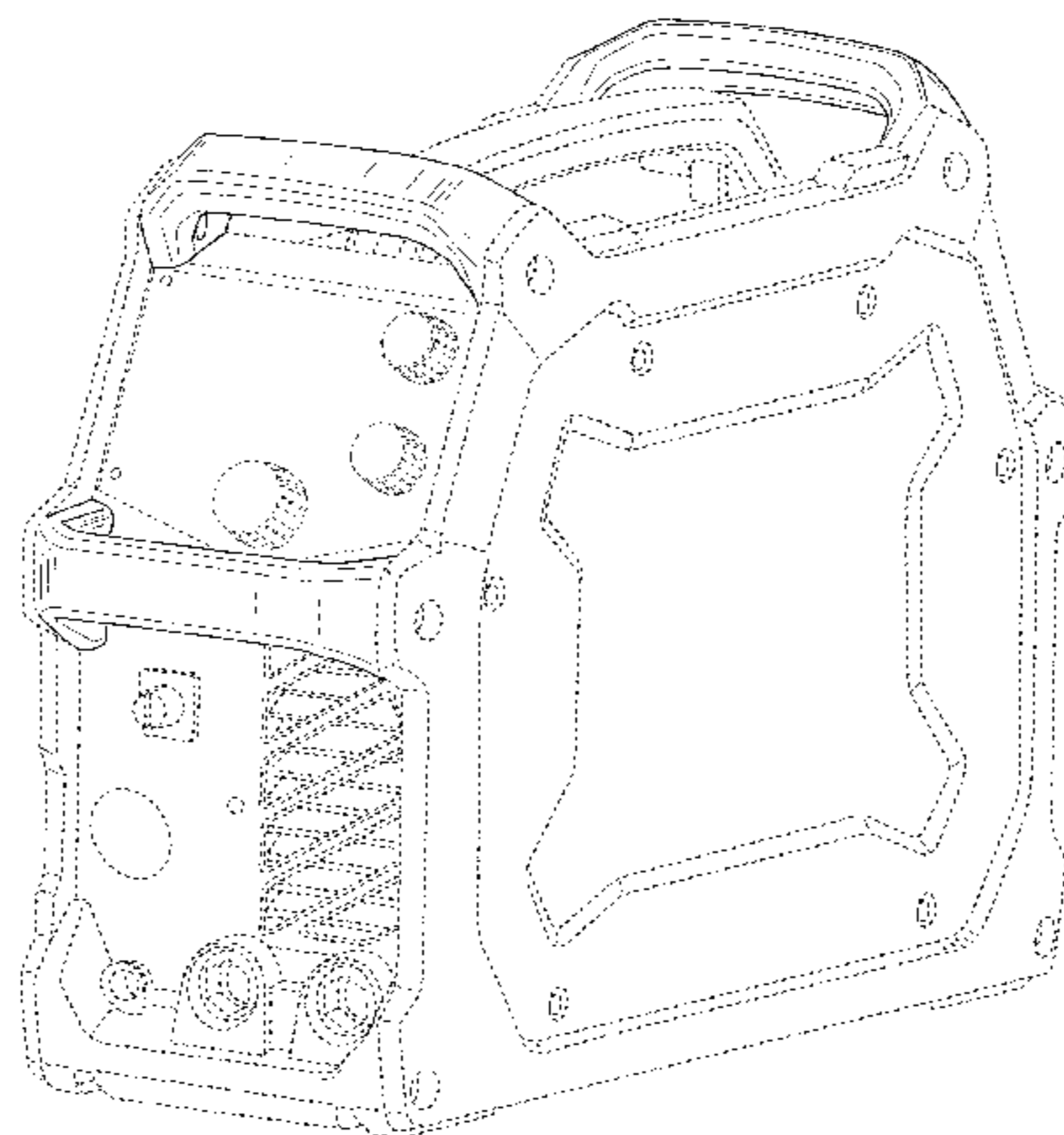
Primary Examiner — Patricia Palasik
(74) *Attorney, Agent, or Firm* — Kacvinsky Daisak Bluni PLLC

(57) **CLAIM**
The ornamental design for a handle design for a portable welding system, substantially as shown and described.

DESCRIPTION

FIG. 1 is an isometric view of our new design;
FIG. 2 is a first side view of the design of FIG. 1;
FIG. 3 is a second side view of the design of FIG. 1;
FIG. 4 is a top view of the design of FIG. 1;
FIG. 5 is a bottom view of the design of FIG. 1;
FIG. 6 is a front end view of the design of FIG. 1; and,
FIG. 7 is a rear end view of the design of FIG. 1.
The broken lines illustrate the environmental structure and form no part of the claimed design.

1 Claim, 7 Drawing Sheets



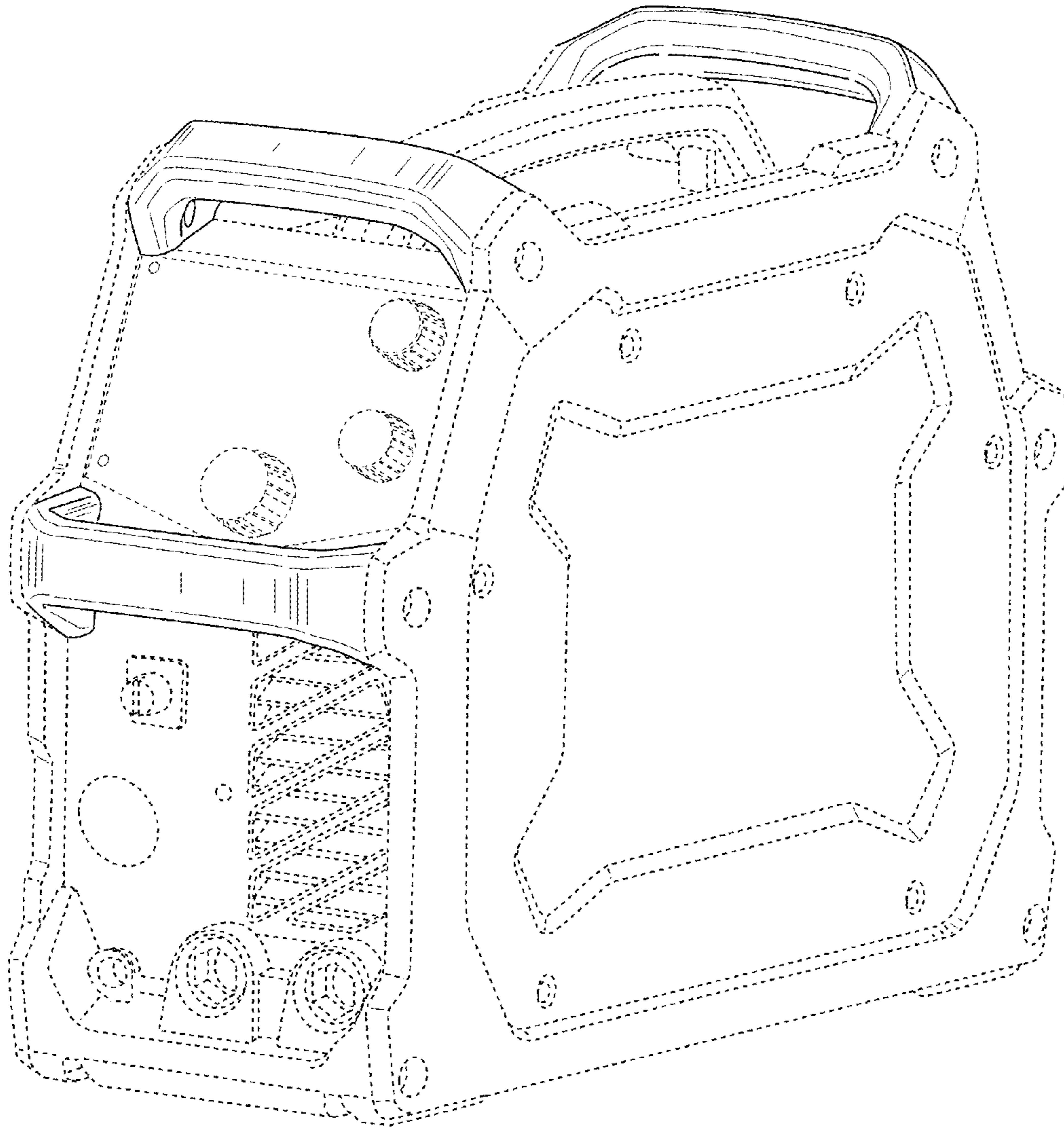


FIG. 1

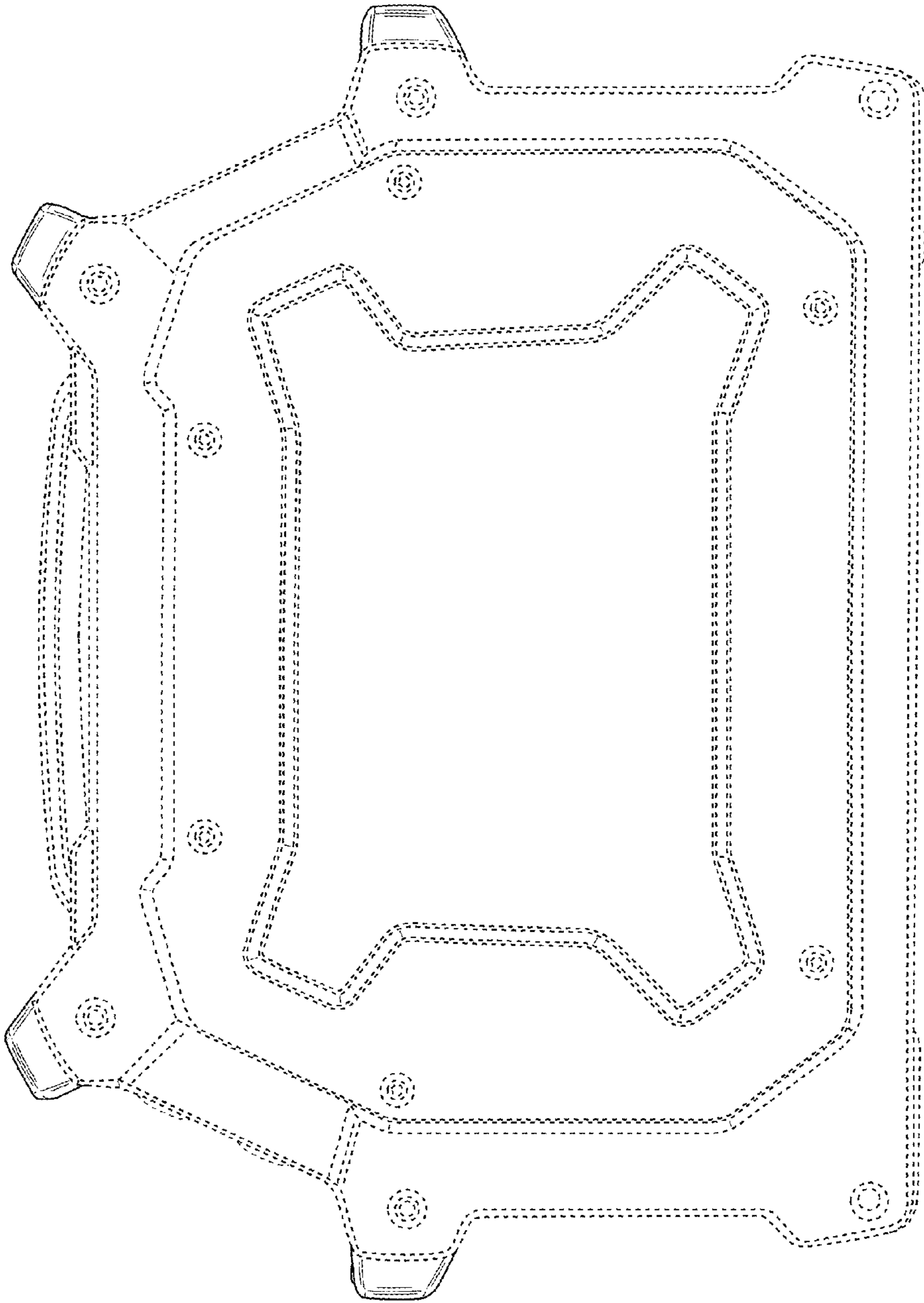


FIG. 2

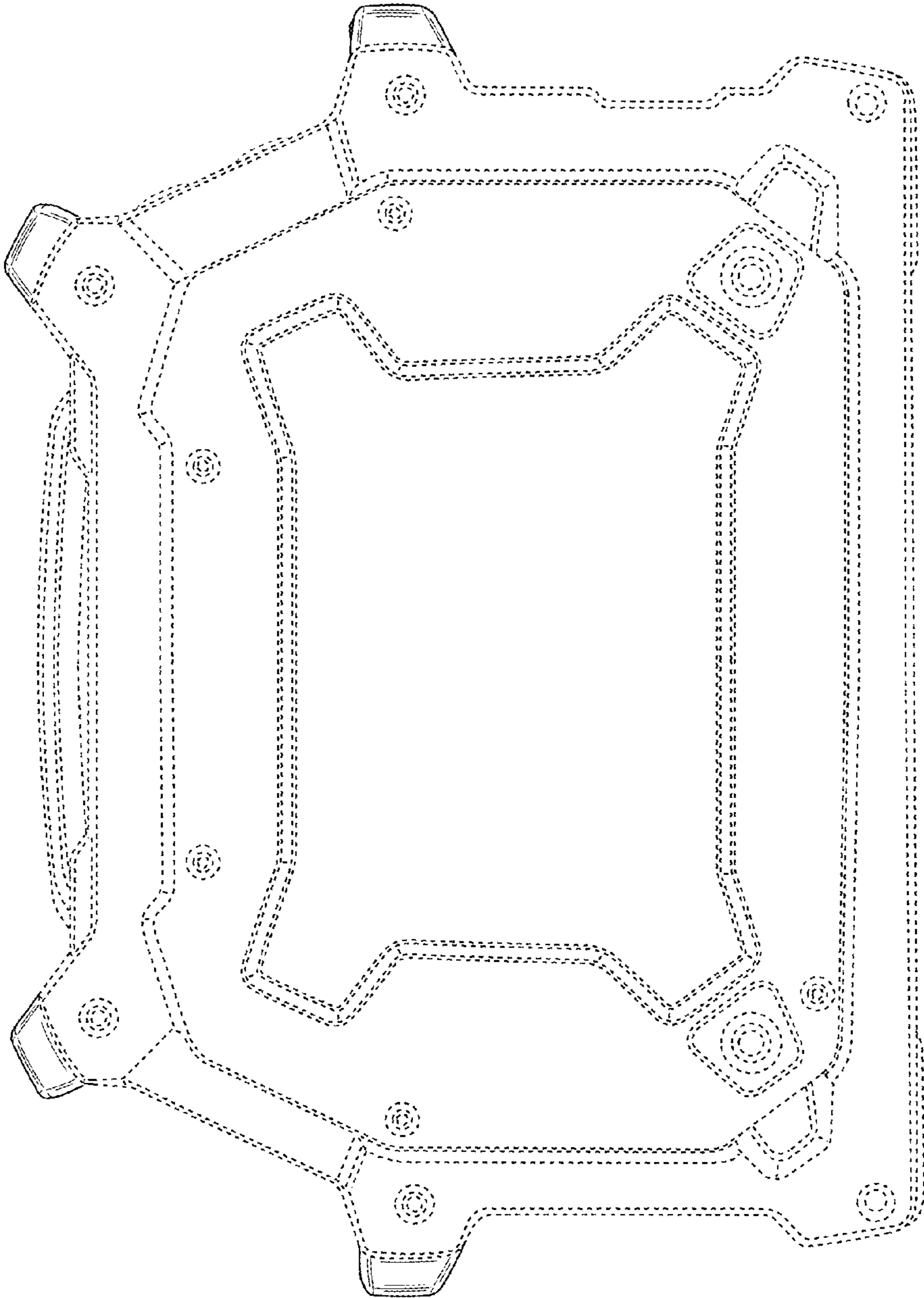


FIG. 3

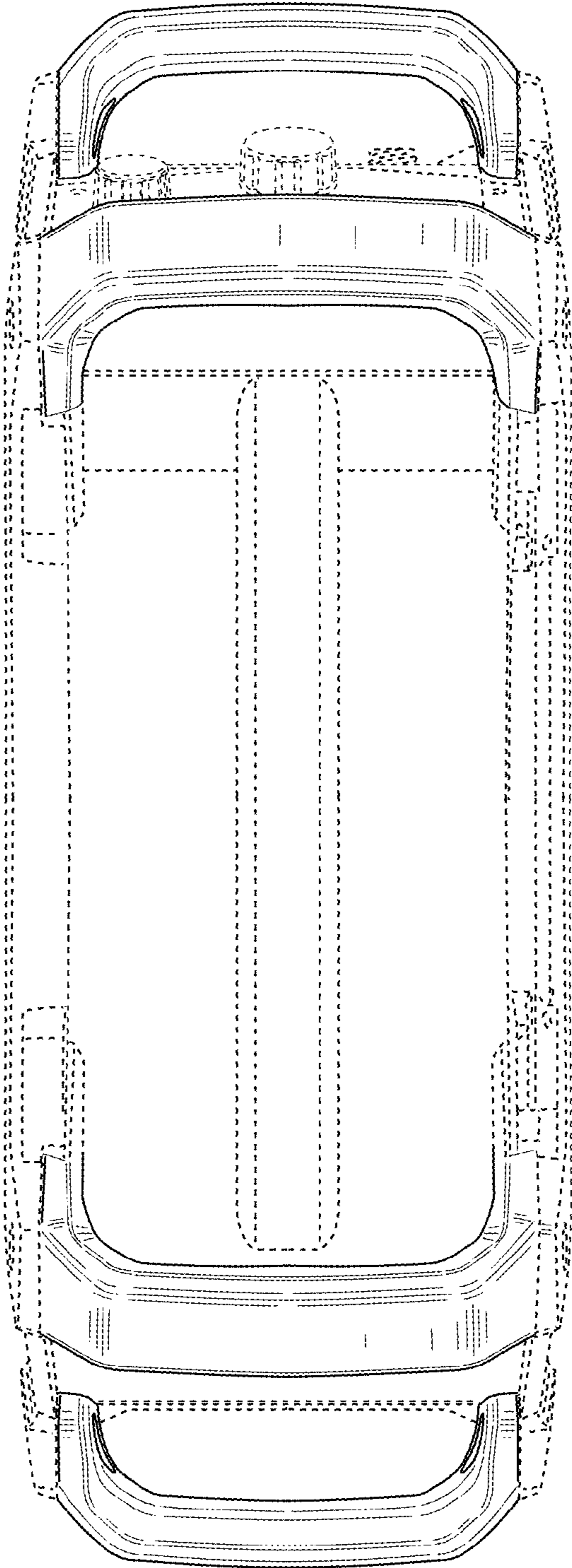


FIG. 4

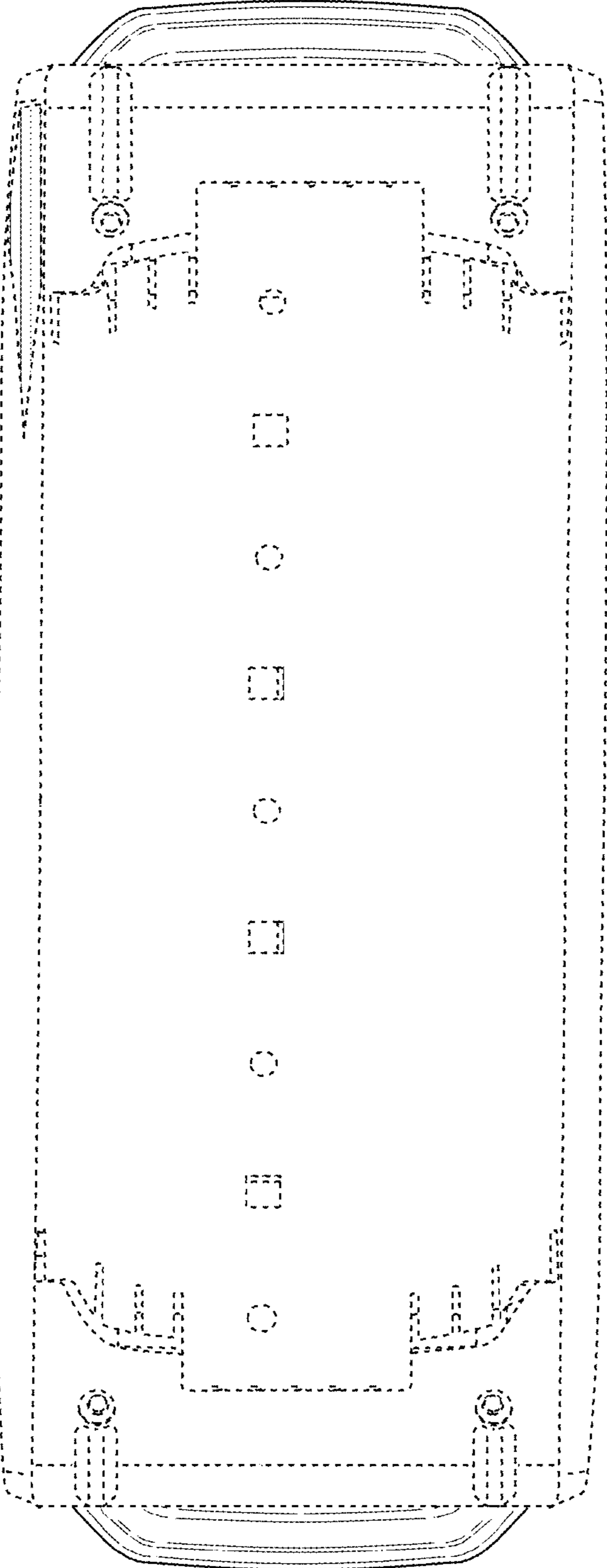


FIG. 5

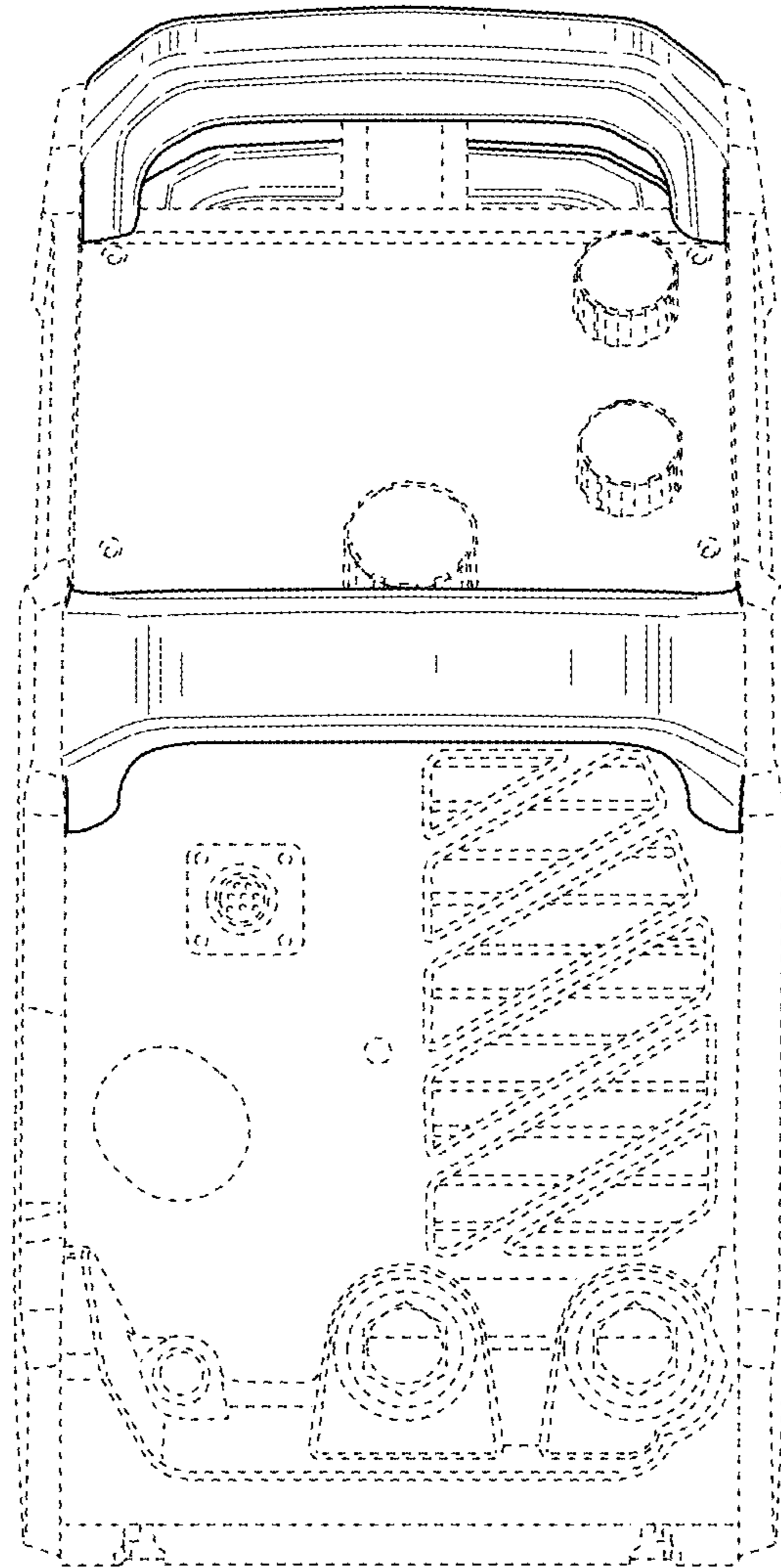


FIG. 6

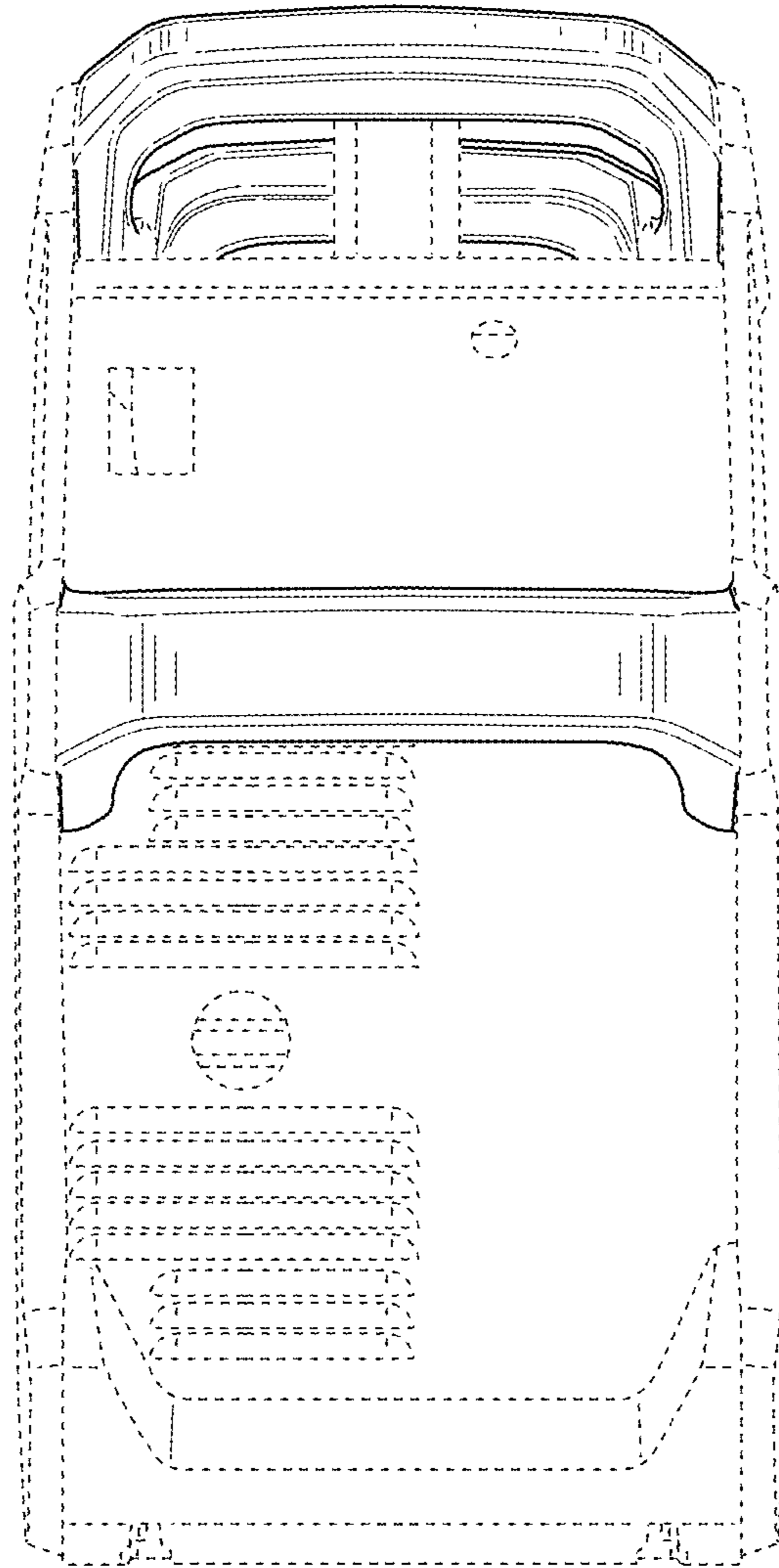


FIG. 7