

US00D744018S

(12) **United States Design Patent**
Sugiura

(10) **Patent No.:** **US D744,018 S**

(45) **Date of Patent:** **** Nov. 24, 2015**

(54) **IMPELLER BLADE FOR SHOTBLAST MACHINE**

(71) Applicant: **Sintokogio, Ltd.**, Nagoya-shi, Aichi (JP)

(72) Inventor: **Takeshi Sugiura**, Toyokawa (JP)

(73) Assignee: **Sintokogio, Ltd.** (JP)

(**) Term: **14 Years**

(21) Appl. No.: **29/495,018**

(22) Filed: **Jun. 26, 2014**

(30) **Foreign Application Priority Data**

Jan. 13, 2014 (JP) 2014-000415

(51) **LOC (10) Cl.** **15-09**

(52) **U.S. Cl.**
USPC **D15/139**

(58) **Field of Classification Search**
USPC D7/383; D15/131, 138, 139, 140;
D23/379; D24/110

See application file for complete search history.

(56) **References Cited**

U.S. PATENT DOCUMENTS

3,876,159	A *	4/1975	Kidd	241/32
5,081,801	A *	1/1992	Fylak	451/97
5,360,486	A *	11/1994	Elliott	134/6
5,417,608	A *	5/1995	Elliott	451/81
D366,935	S *	2/1996	Arthun et al.	D23/411
D468,009	S *	12/2002	Hoenderkamp et al.	D23/411
6,877,959	B2 *	4/2005	McWhirter	416/228

6,881,033	B2 *	4/2005	Makinson et al.	416/3
D630,721	S *	1/2011	Kenyon et al.	D23/379
D681,704	S *	5/2013	Stoyanov	D15/138
D699,835	S *	2/2014	Kenyon et al.	D23/413
D709,324	S *	7/2014	Guo et al.	D7/412
D709,325	S *	7/2014	Guo et al.	D7/412
D713,861	S *	9/2014	Langlais et al.	D15/28
2007/0001040	A1 *	1/2007	Walters	241/82.5
2009/0186564	A1 *	7/2009	Liedtke	451/91

FOREIGN PATENT DOCUMENTS

CN	302177052	S	11/2012
CN	302652206	S	11/2013
TW	M436746		9/2012
TW	D150080		11/2012

* cited by examiner

Primary Examiner — Patricia Palasik

(74) *Attorney, Agent, or Firm* — Saidman DesignLaw Group, LLC

(57) **CLAIM**

The ornamental design for an impeller blade for shotblast machine, as shown and described.

DESCRIPTION

FIG. 1 is a front perspective view of an impeller blade for shotblast machine showing my new design;
FIG. 2 is a rear perspective view thereof;
FIG. 3 is a front view thereof;
FIG. 4 is a rear view thereof;
FIG. 5 is a left side view thereof;
FIG. 6 is a right side view thereof;
FIG. 7 is a top plan view thereof; and,
FIG. 8 is a bottom plan view thereof.

1 Claim, 3 Drawing Sheets

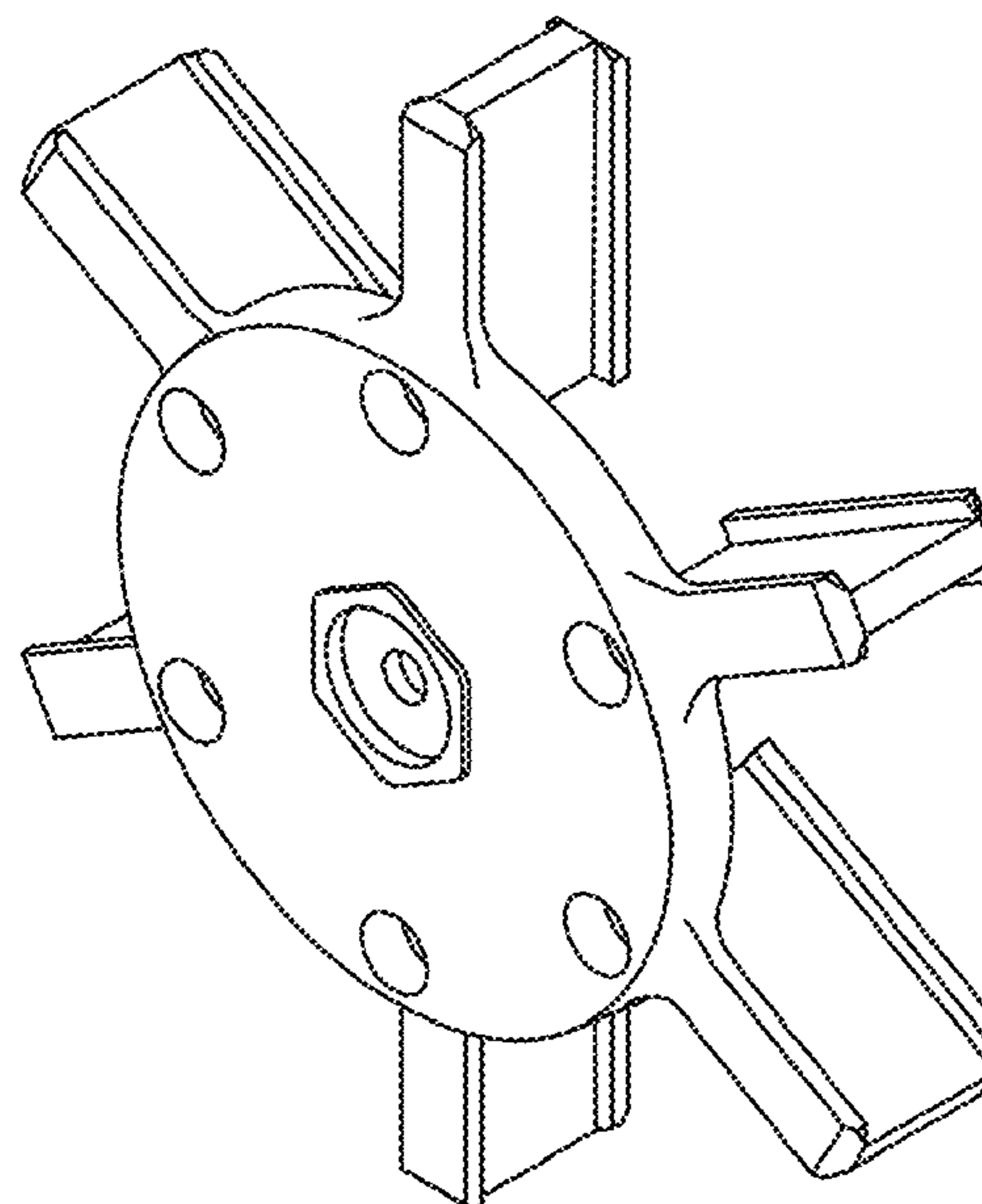
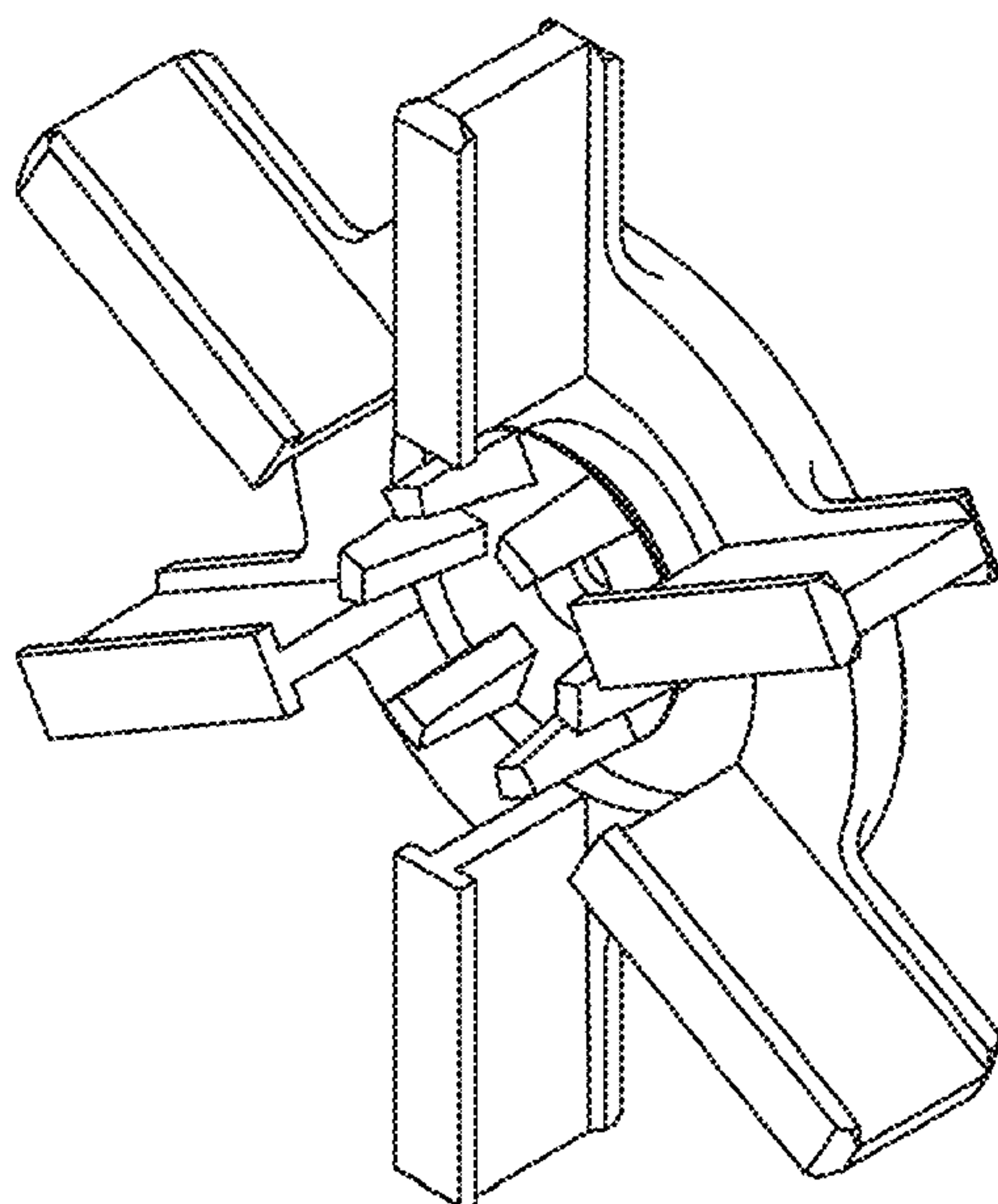


FIG.1

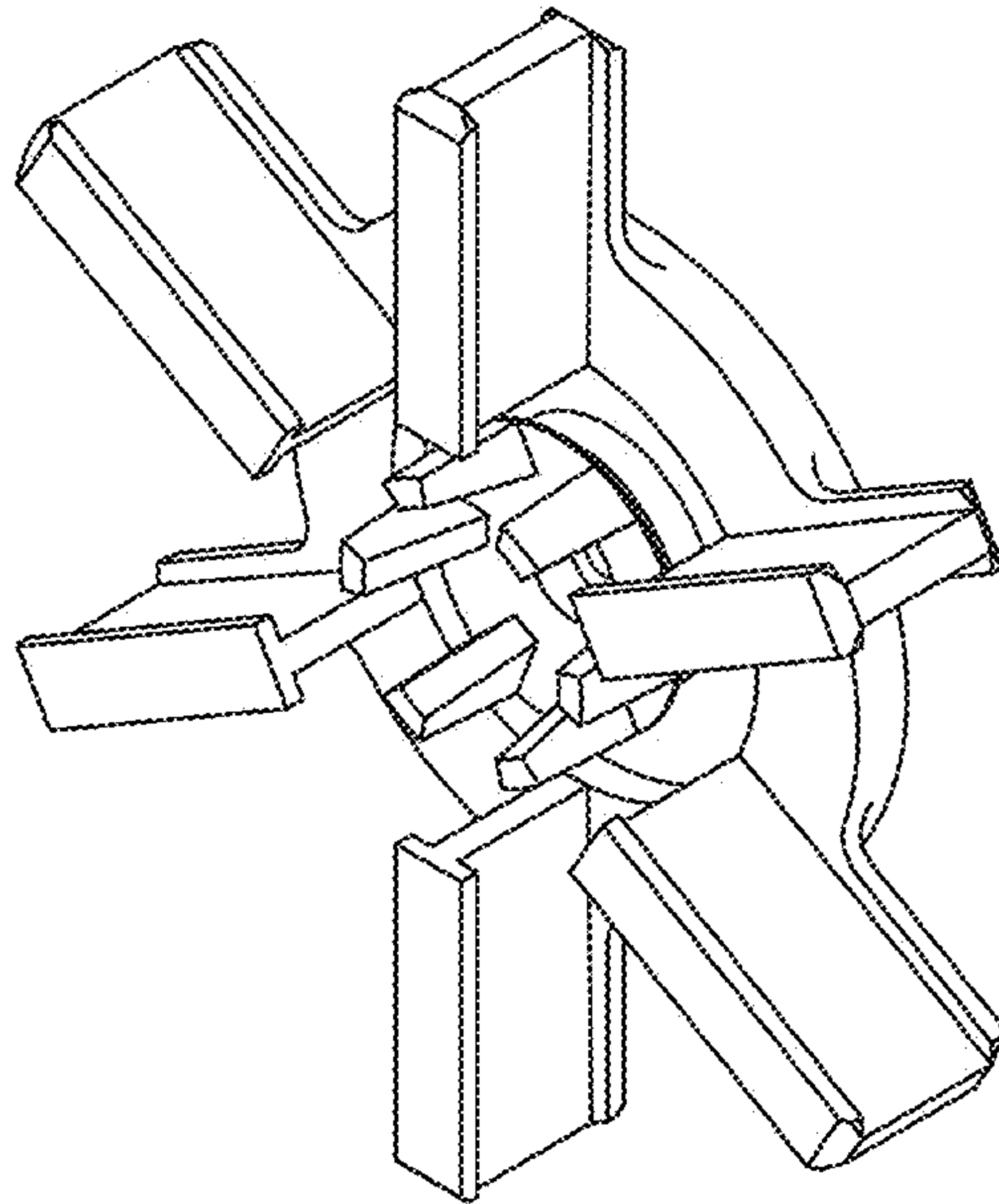


FIG.2

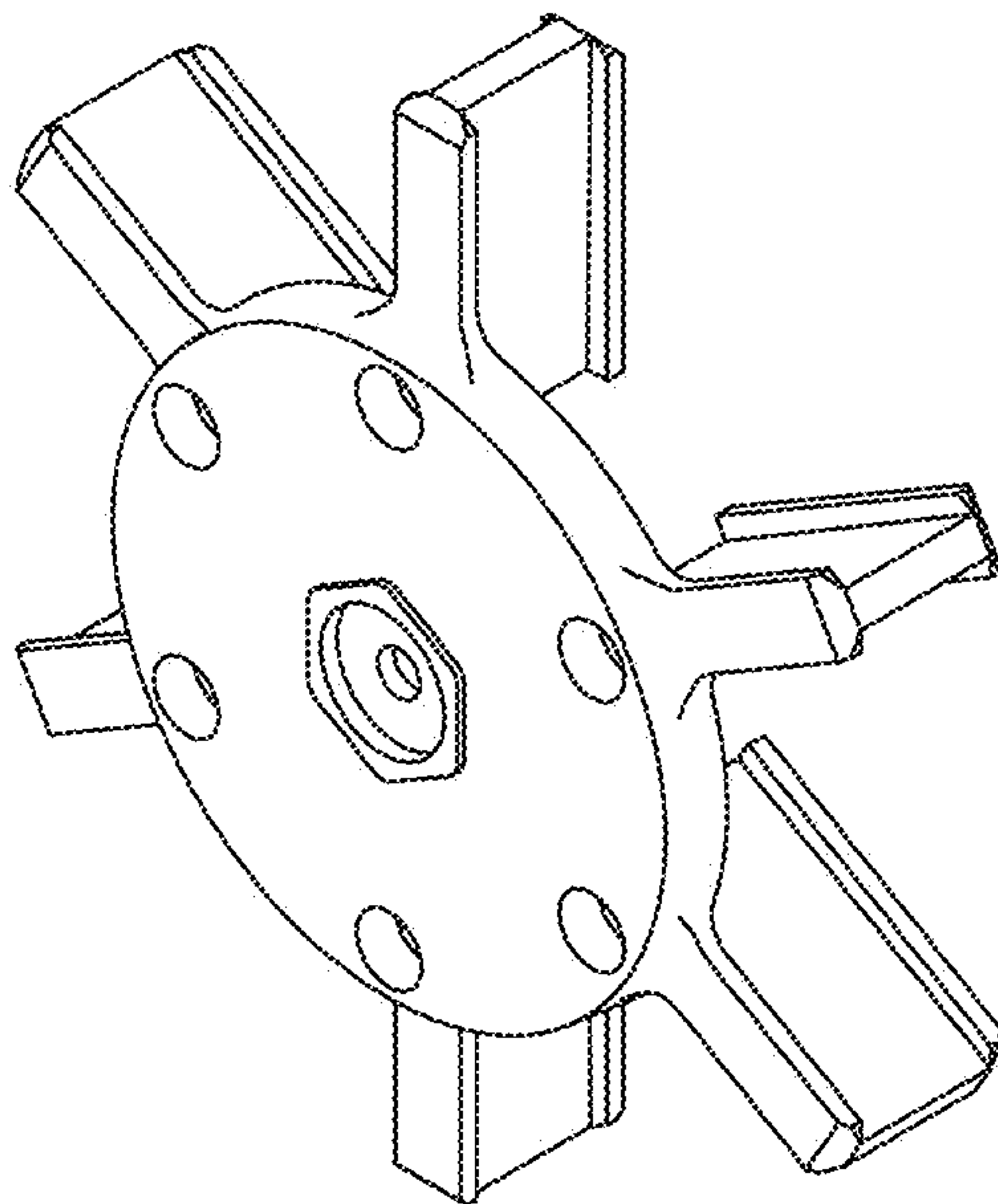


FIG.3

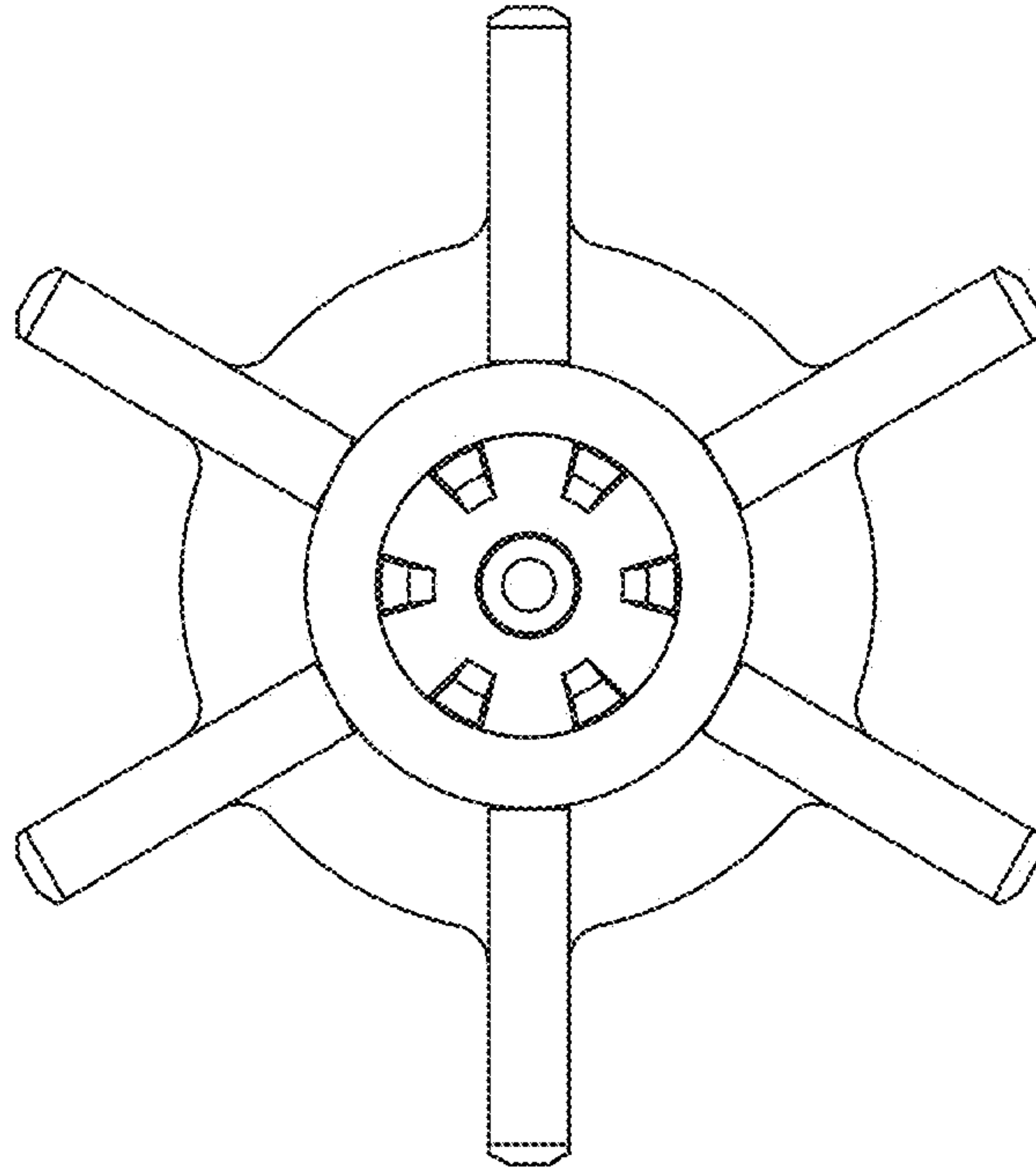


FIG.4

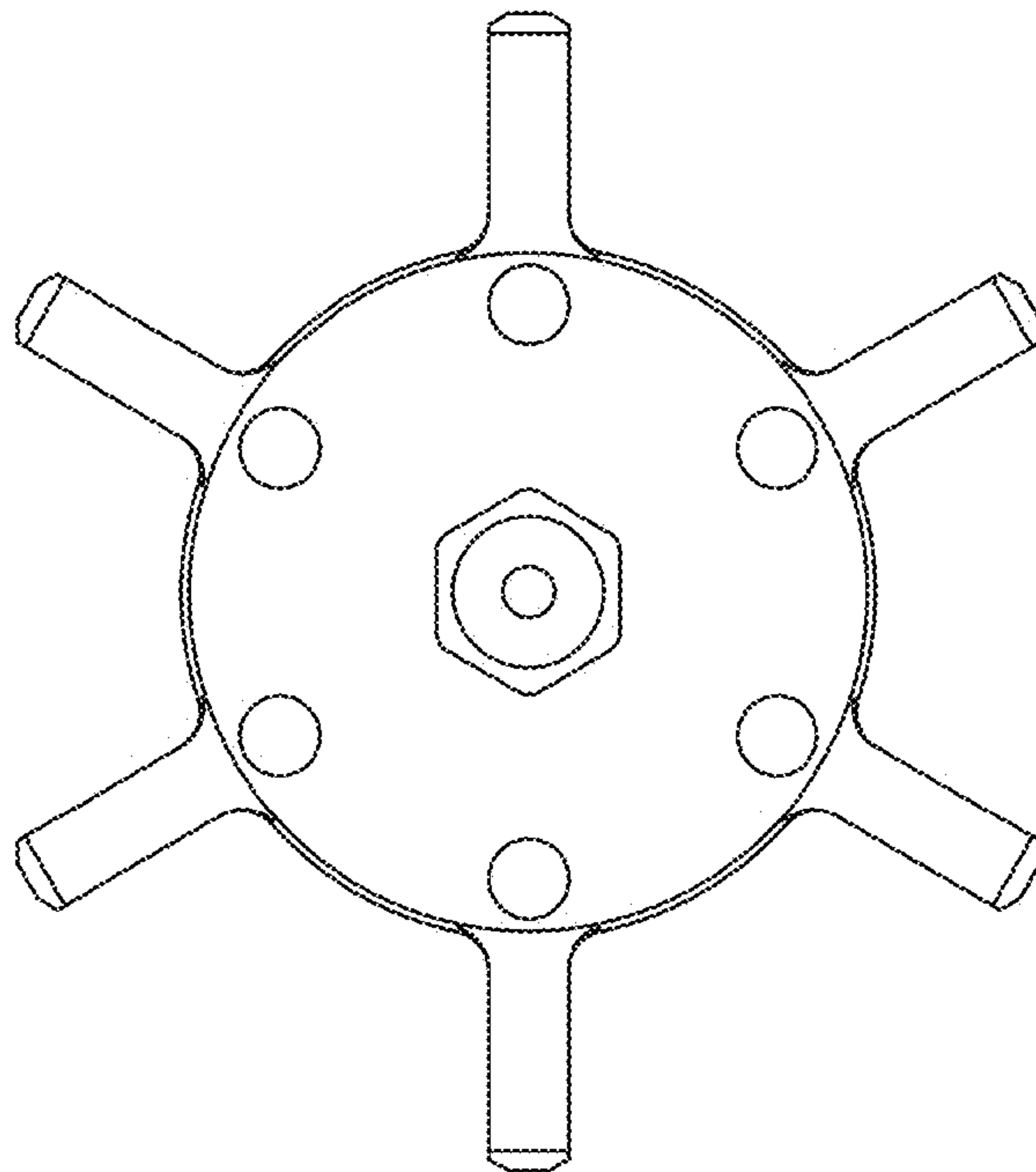


FIG.5

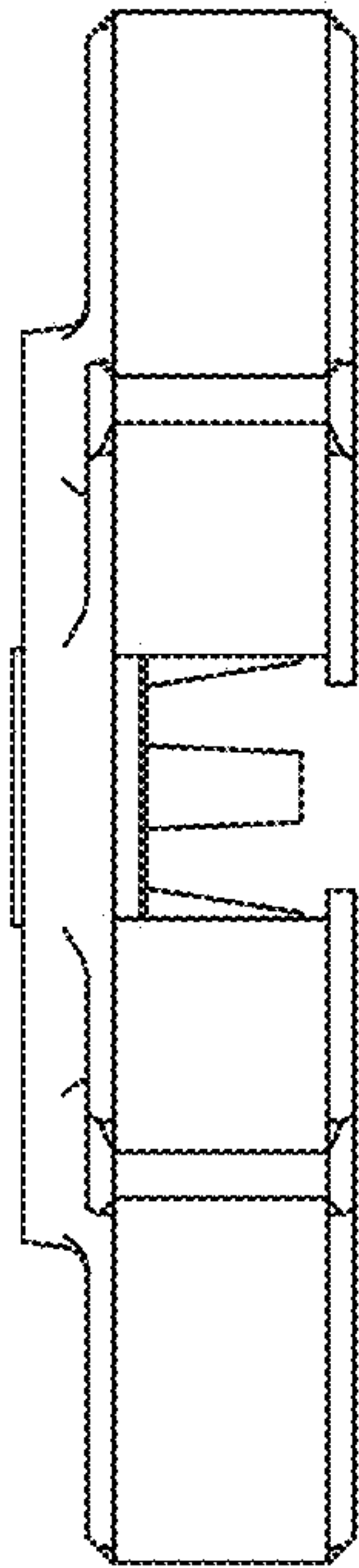


FIG.6

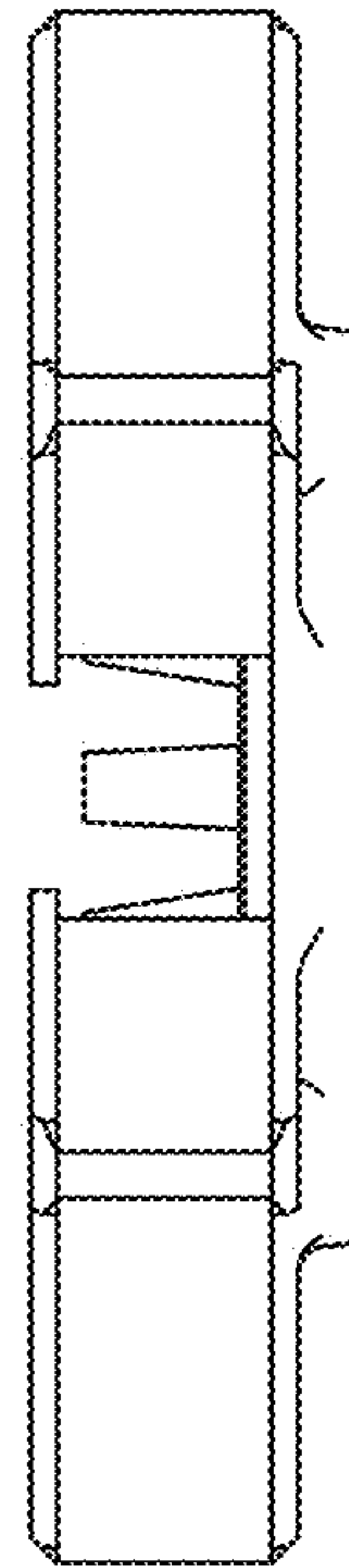


FIG.7

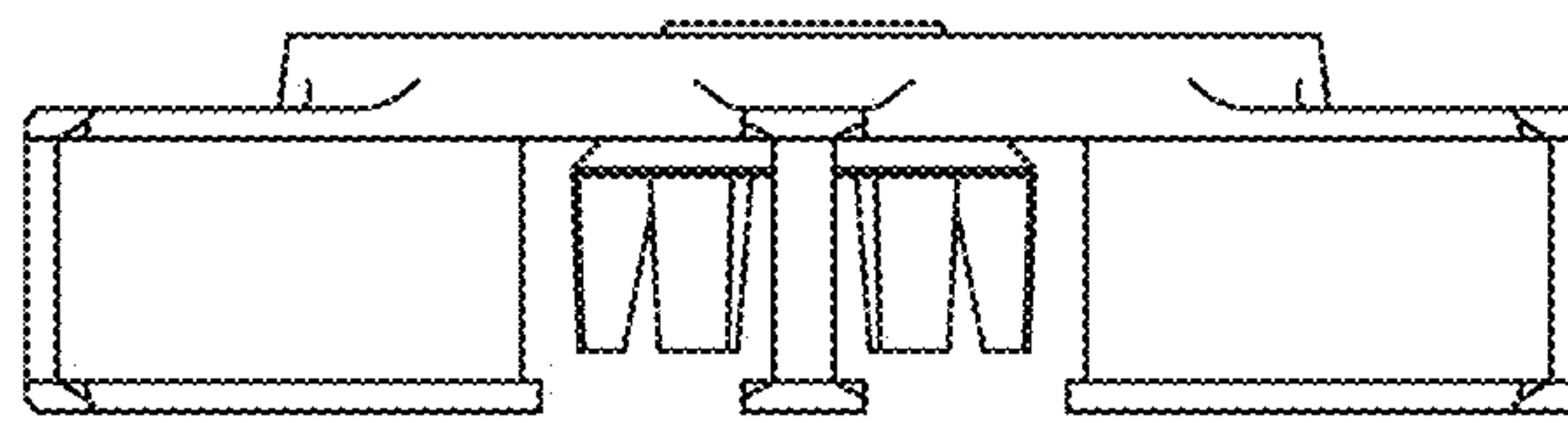


FIG.8

