



US00D744017S

(12) **United States Design Patent**  
**Suzuki et al.**

(10) **Patent No.:** **US D744,017 S**

(45) **Date of Patent:** **\*\* \*Nov. 24, 2015**

(54) **IMPELLER BLADE FOR SHOTBLAST MACHINE**

(71) Applicant: **Sintokogio, Ltd.**, Nagoya-shi, Aichi (JP)

(72) Inventors: **Hiroaki Suzuki**, Toyokawa (JP); **Masato Umeoka**, Toyokawa (JP)

(73) Assignee: **Sintokogio, Ltd.**, Nagoya-shi (JP)

(\*) Notice: This patent is subject to a terminal disclaimer.

(\*\*) Term: **14 Years**

(21) Appl. No.: **29/488,895**

(22) Filed: **Apr. 24, 2014**

(30) **Foreign Application Priority Data**

Oct. 31, 2013 (JP) ..... 2013-025415

(51) **LOC (10) Cl.** ..... **15-09**

(52) **U.S. Cl.**  
USPC ..... **D15/139**

(58) **Field of Classification Search**  
USPC ..... D7/383; D15/122, 123, 124, 131, 138,  
D15/139, 140; D23/379; D24/110  
See application file for complete search history.

(56) **References Cited**

**U.S. PATENT DOCUMENTS**

2,637,502	A *	5/1953	Bond	.....	241/194
3,000,579	A *	9/1961	Bridgewater	.....	241/275
3,074,657	A *	1/1963	Bridgewater	.....	241/275
3,149,793	A *	9/1964	Bridgewater	.....	241/275
3,174,697	A *	3/1965	Bridgewater	.....	241/275
4,355,769	A *	10/1982	Warren et al.	.....	241/300

RE32,355	E *	2/1987	Warren et al.	.....	241/300
4,784,339	A *	11/1988	Deffenbaugh	.....	241/275
5,081,801	A *	1/1992	Fylak	.....	451/97
5,360,486	A *	11/1994	Elliott	.....	134/6
5,417,608	A *	5/1995	Elliott	.....	451/81
5,441,370	A *	8/1995	Pantzar et al.	.....	407/113
D366,935	S *	2/1996	Arthun et al.	.....	D23/411
5,637,029	A *	6/1997	Lehane	.....	451/39
5,921,484	A *	7/1999	Smith et al.	.....	241/275

(Continued)

**FOREIGN PATENT DOCUMENTS**

CN	302300908	S	1/2013
JP	367670		8/1973

(Continued)

*Primary Examiner* — Patricia Palasik

(74) *Attorney, Agent, or Firm* — Saidman DesignLaw Group, LLC

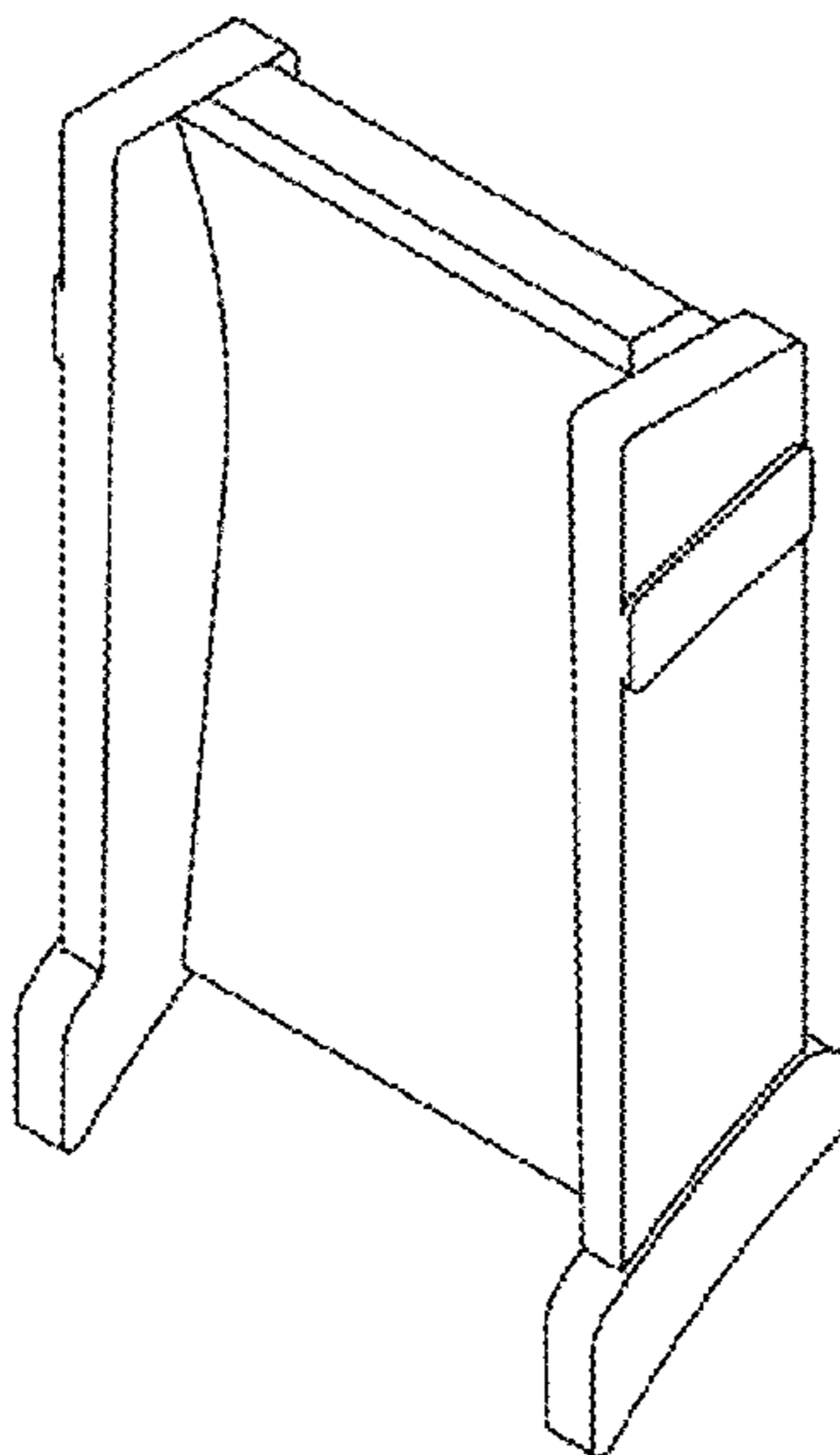
(57) **CLAIM**

The ornamental design for an impeller blade for shotblast machine, as shown and described.

**DESCRIPTION**

FIG. 1 is a front view of an impeller blade for shotblast machine showing our new design;  
FIG. 2 is a rear view thereof;  
FIG. 3 is a left side view thereof;  
FIG. 4 is a right side view thereof;  
FIG. 5 is a top plan view thereof;  
FIG. 6 is a bottom plan view thereof;  
FIG. 7 is a cross-sectional view taken along the lines 7-7;  
FIG. 8 is a front right top perspective view thereof;  
FIG. 9 is a front right bottom perspective view thereof;  
FIG. 10 is a rear right top perspective view thereof; and,  
FIG. 11 is a rear right bottom perspective view thereof.

**1 Claim, 4 Drawing Sheets**



(56)

**References Cited**

2009/0186564 A1\* 7/2009 Liedtke ..... 451/91

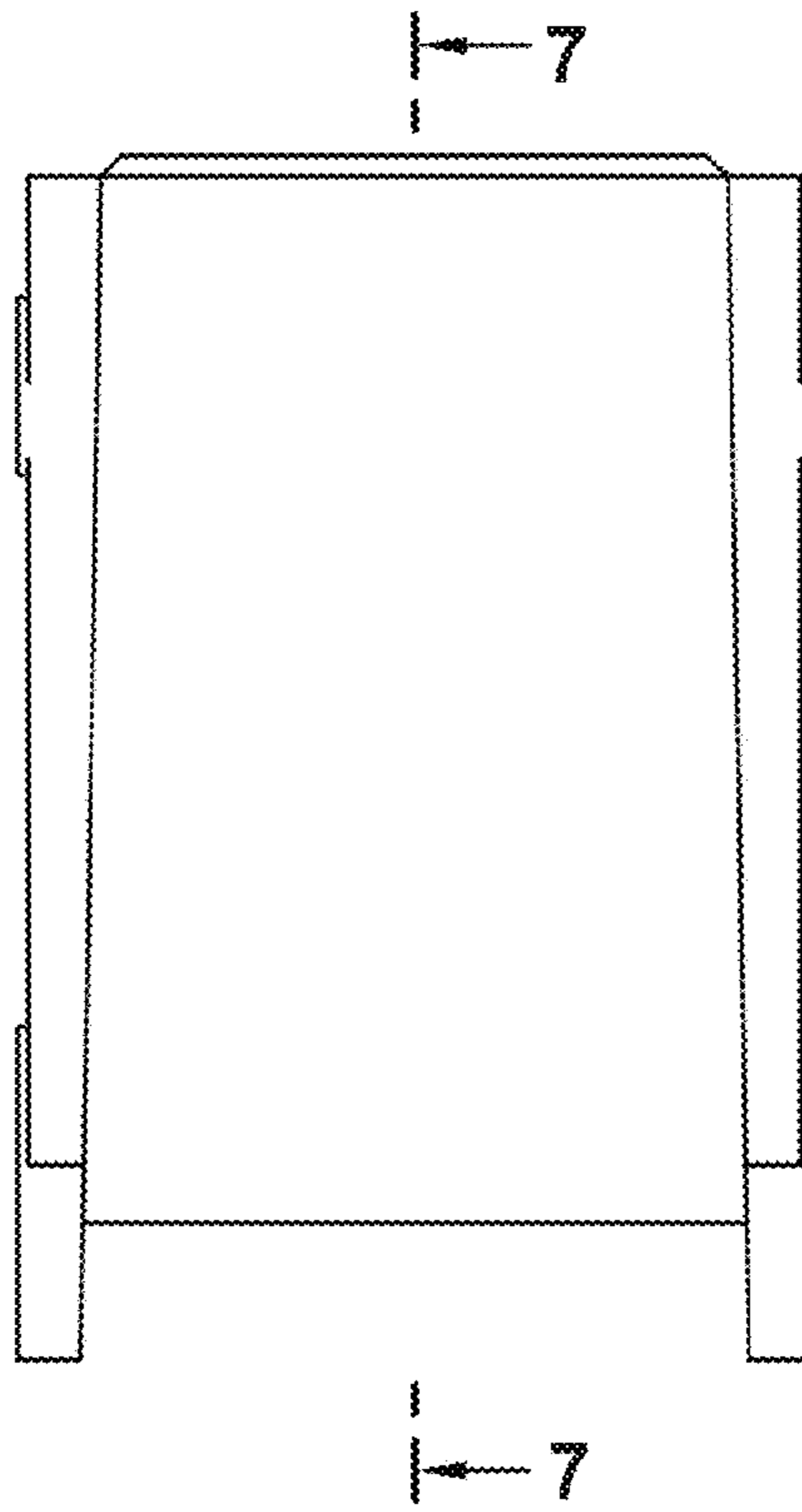
U.S. PATENT DOCUMENTS

FOREIGN PATENT DOCUMENTS

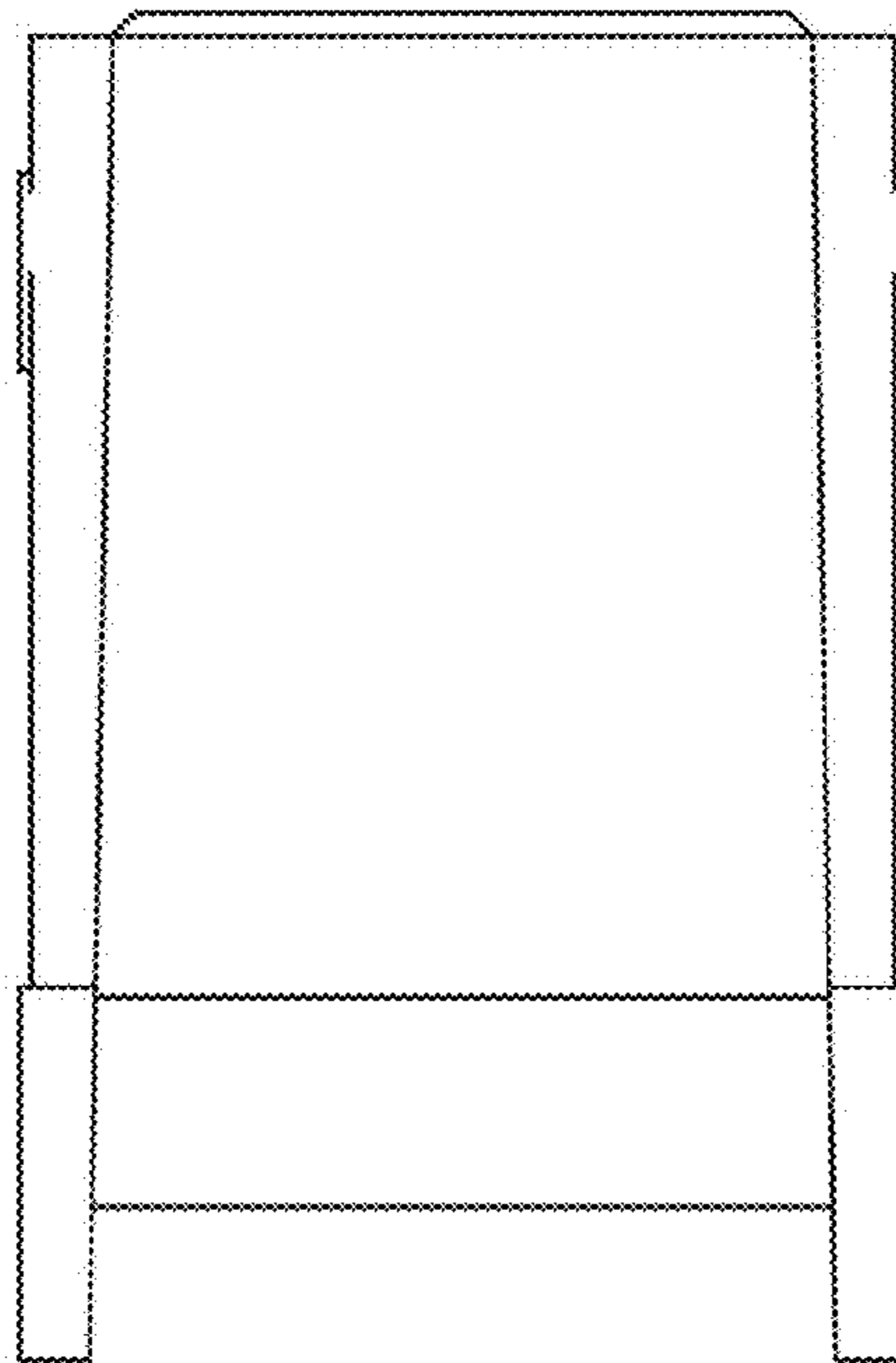
D429,741 S \* 8/2000 Warren ..... D15/123  
 6,405,953 B1 \* 6/2002 Warren ..... 241/275  
 D468,009 S \* 12/2002 Hoenderkamp et al. .... D23/411  
 6,877,959 B2 \* 4/2005 McWhirter ..... 416/228  
 6,881,033 B2 \* 4/2005 Makinson et al. .... 416/3  
 7,147,407 B2 \* 12/2006 Satran ..... 407/42  
 D577,807 S \* 9/2008 Kenyon et al. .... D23/379  
 D630,721 S \* 1/2011 Kenyon et al. .... D23/379  
 D645,950 S \* 9/2011 Kenyon et al. .... D23/379  
 D681,704 S \* 5/2013 Stoyanov ..... D15/138  
 D702,829 S \* 4/2014 Chen et al. .... D23/379  
 8,757,979 B2 \* 6/2014 Martensson ..... 416/190  
 8,926,406 B2 \* 1/2015 Mrak et al. .... 451/95

JP	369408	9/1973
JP	409729	11/1975
JP	465465	1/1978
JP	489626	12/1978
JP	627737	6/1984
JP	627738	6/1984
JP	866025	4/1993
JP	627737-1	11/1995
JP	627738-1	10/1997
TW	077776	5/1986

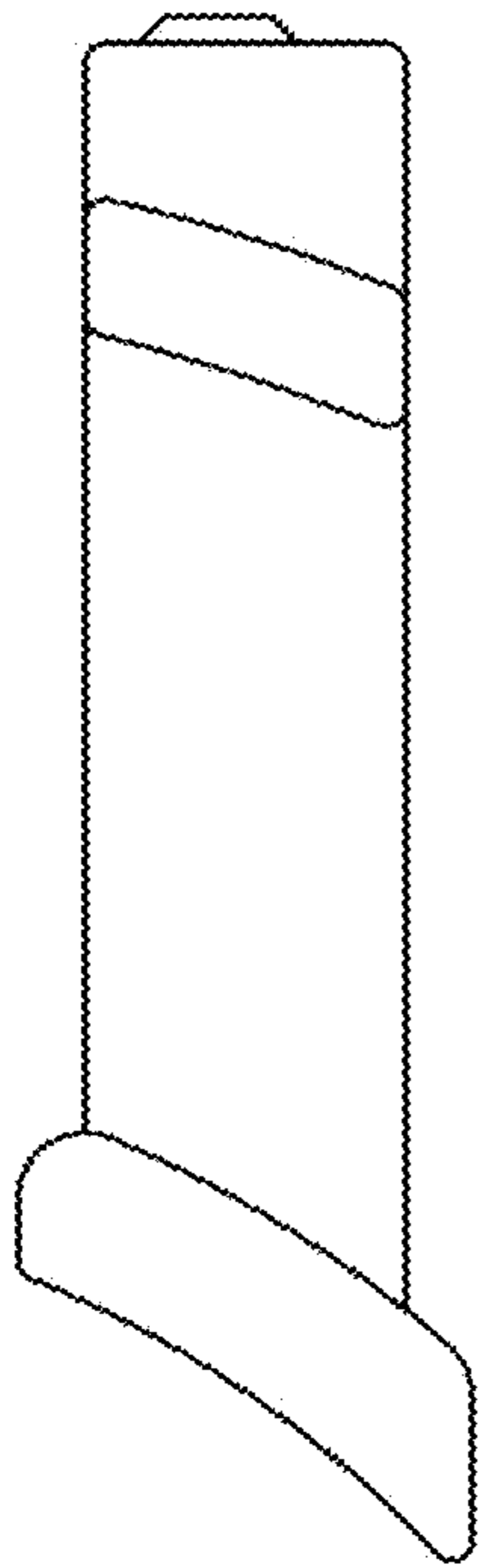
\* cited by examiner



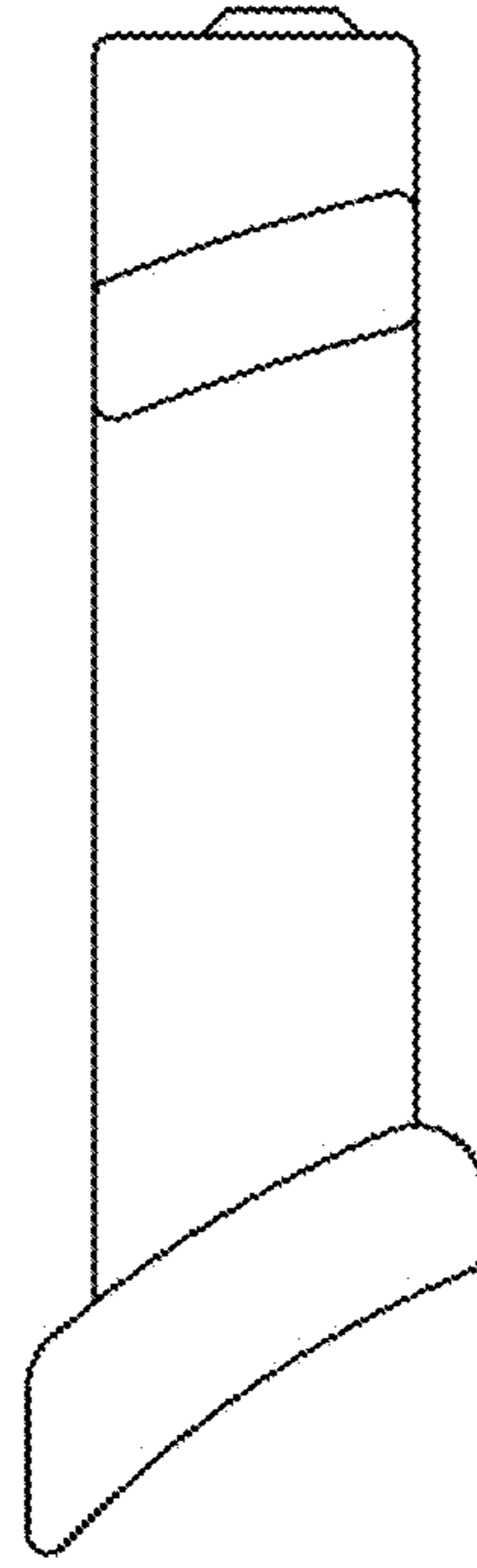
*Fig. 1*



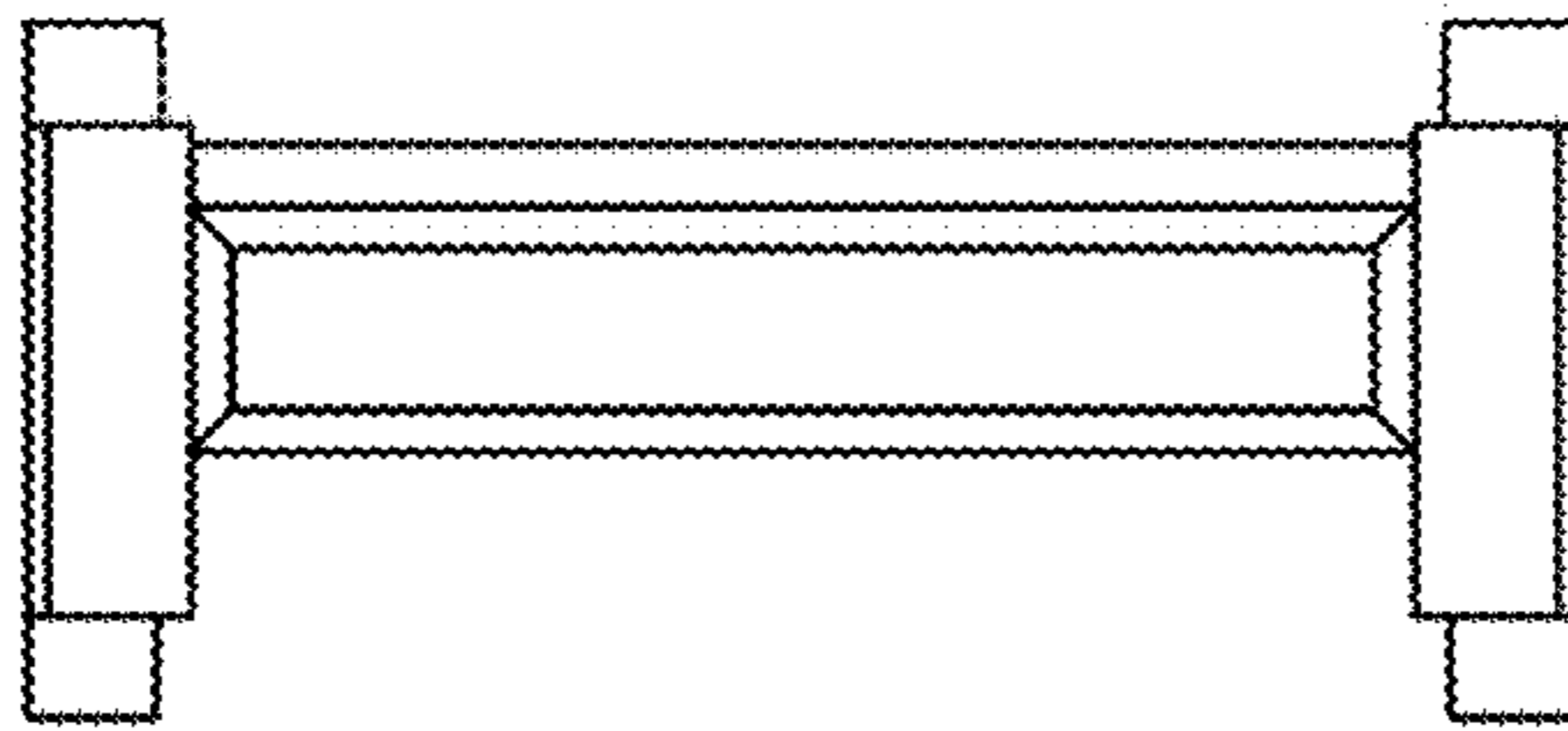
*Fig. 2*



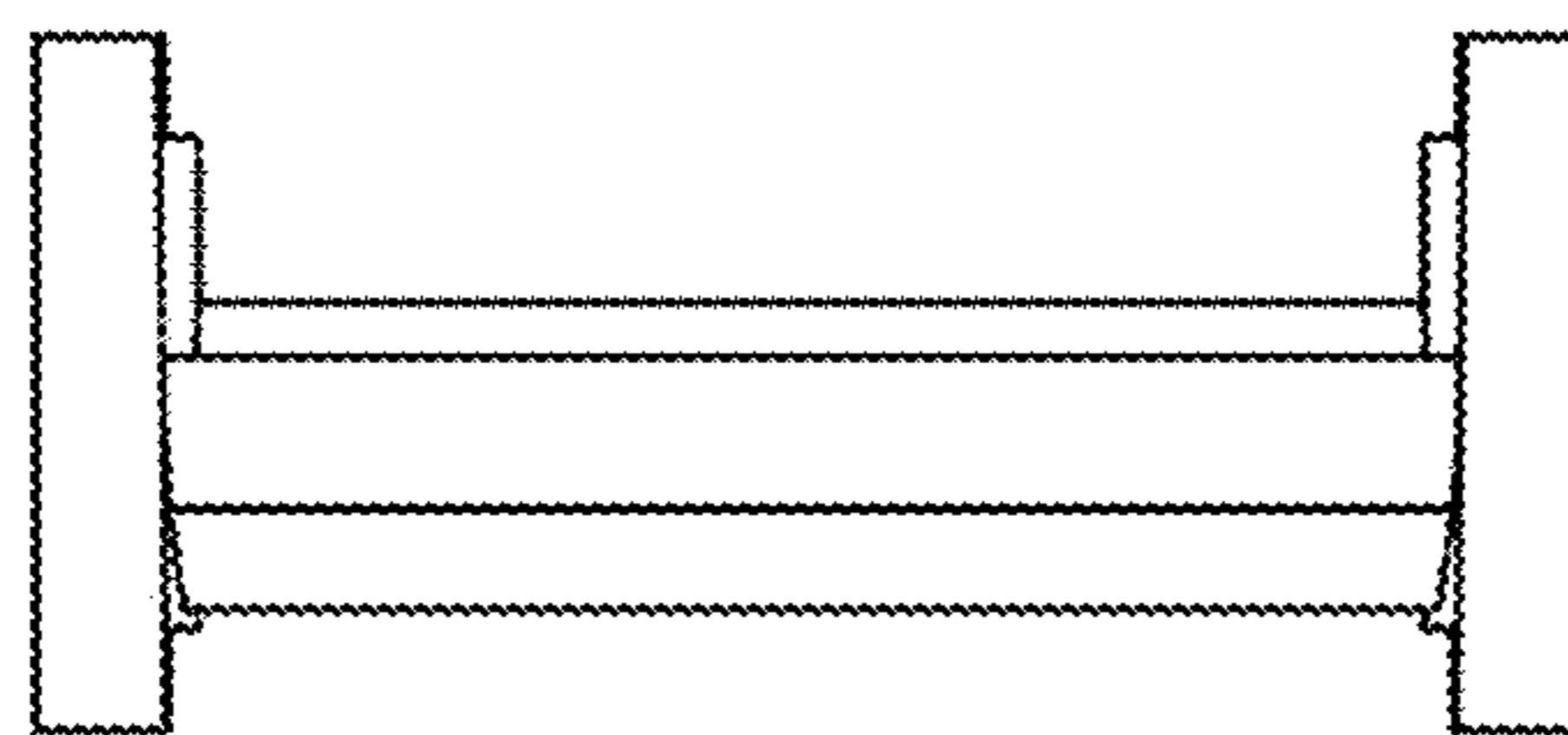
**Fig. 3**



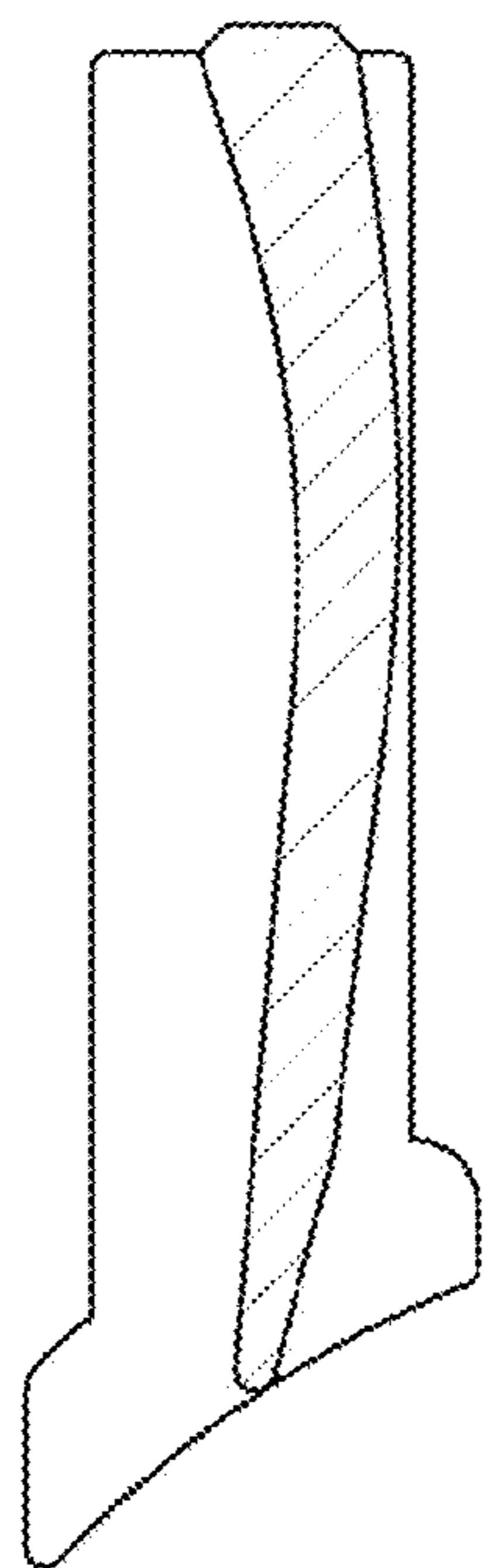
**Fig. 4**



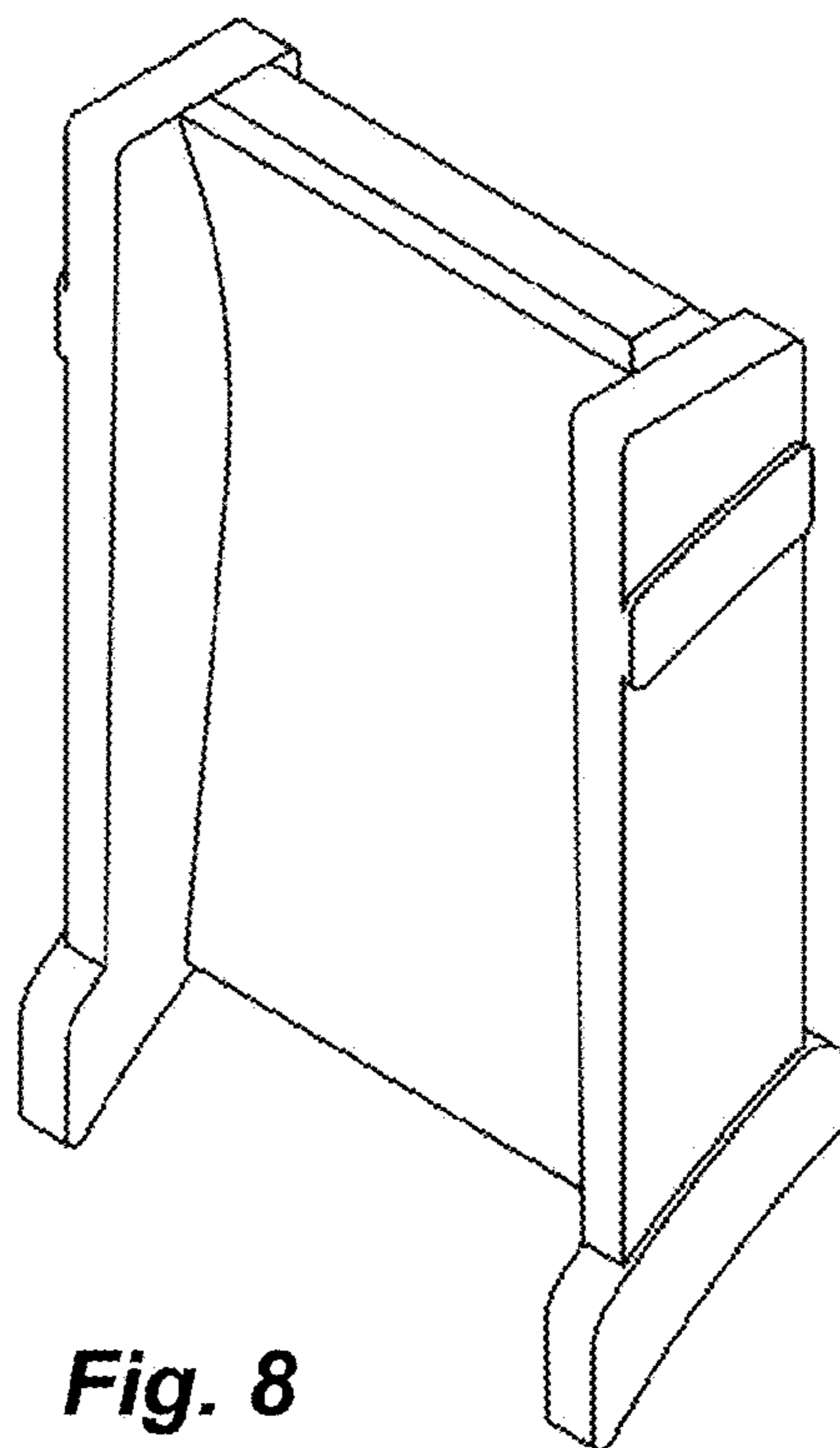
**Fig. 5**



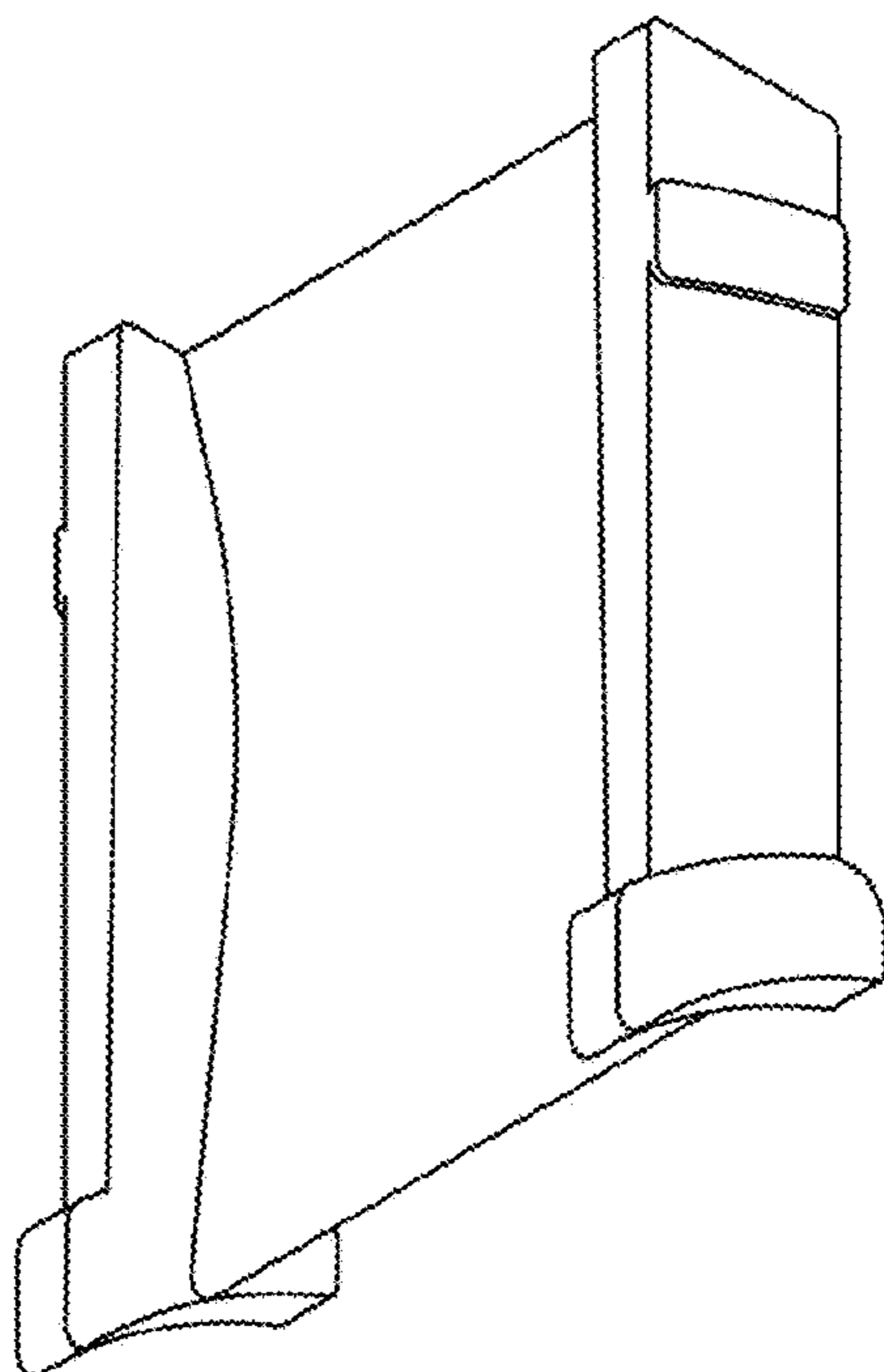
**Fig. 6**



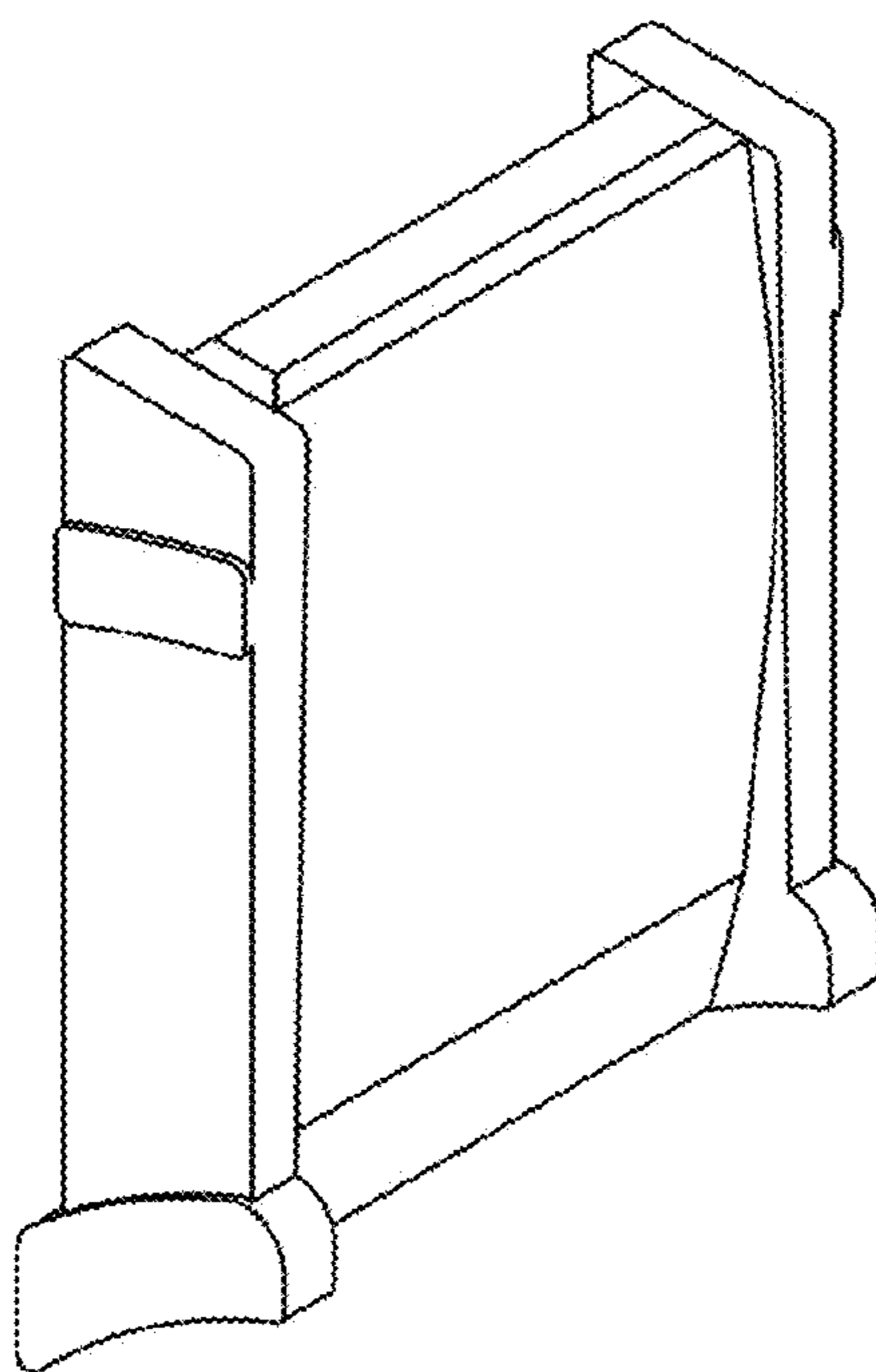
**Fig. 7**



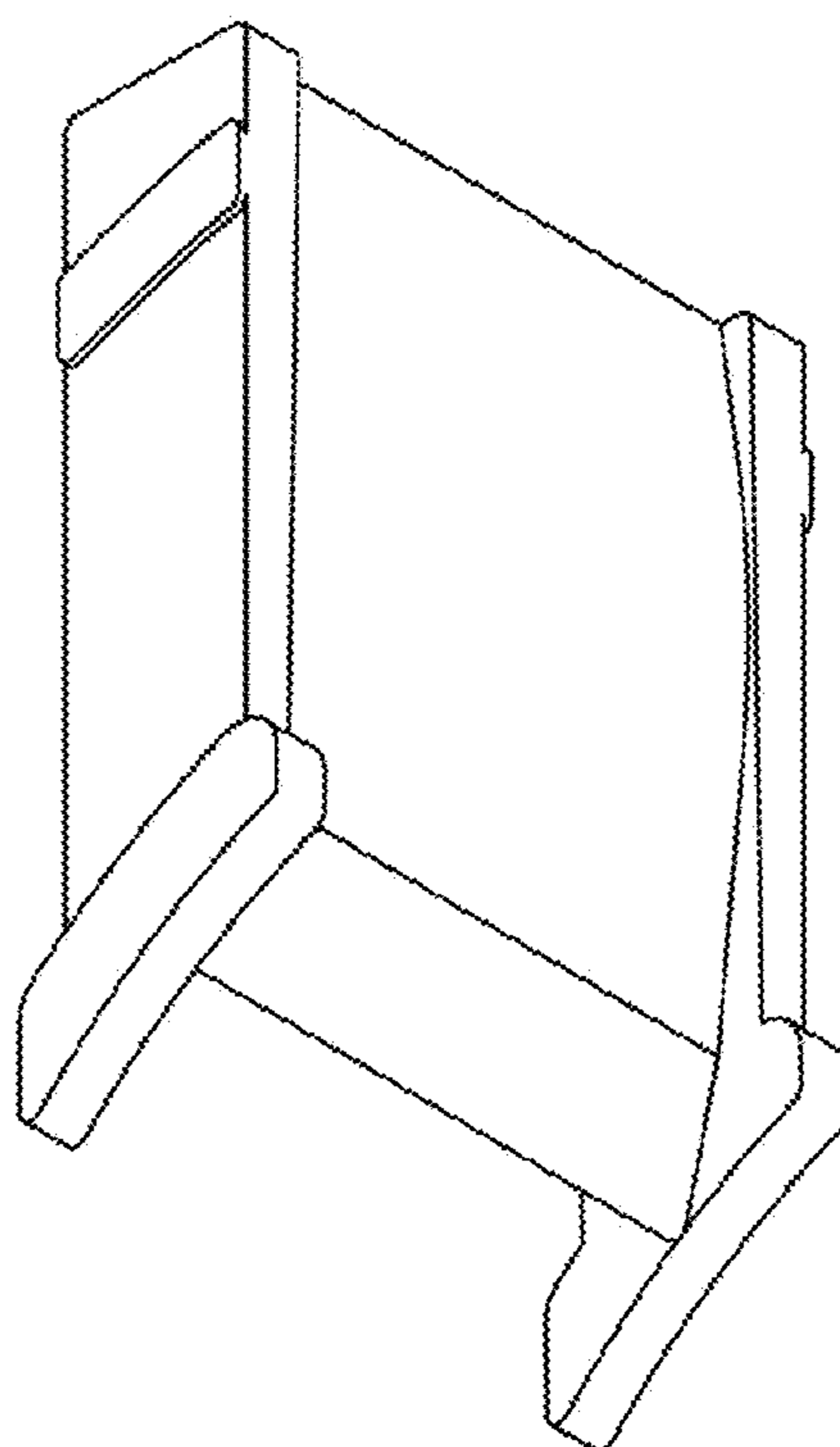
**Fig. 8**



**Fig. 9**



**Fig. 10**



**Fig. 11**