



US00D744016S

(12) **United States Design Patent**  
**Turner**

(10) **Patent No.:** **US D744,016 S**  
(45) **Date of Patent:** **\*\* Nov. 24, 2015**

(54) **ETCHING TRAY WITH LID**

FOREIGN PATENT DOCUMENTS

(71) Applicant: **Stingray Group, LLC**, Layton, UT (US)

JP 2004028787 6/2002

(72) Inventor: **Allen Turner**, Layton, UT (US)

JP 2012132826 12/2010

JP 2014041030 8/2012

(73) Assignee: **STINGRAY GROUP, LLC**, Layton, UT (US)

*Primary Examiner* — Susan Bennett Hattan

*Assistant Examiner* — Brett Miller

(\*\*) Term: **14 Years**

(74) *Attorney, Agent, or Firm* — Pate Peterson PLLC; Brett Peterson

(21) Appl. No.: **29/469,994**

(22) Filed: **Oct. 16, 2013**

(57) **CLAIM**

I claim the ornamental design for the etching tray with lid, as shown and described.

**Related U.S. Application Data**

(63) Continuation of application No. 14/055,628, filed on Oct. 16, 2013.

(51) **LOC (10) Cl.** ..... **15-09**

(52) **U.S. Cl.**  
USPC ..... **D15/138**

(58) **Field of Classification Search**  
USPC ..... D15/139–141, 138; 222/546;  
D23/259–262

CPC .. C04B 41/009; C04B 41/5353; C04B 41/91;  
C04B 35/52; B22F 2005/001; C22C 26/00;  
C23F 1/00; C23F 1/08; E21B 10/46

See application file for complete search history.

**DESCRIPTION**

FIG. 1 is a front view of the lid attached to the tray.  
FIG. 2 is a top perspective view of the lid attached to the tray.  
FIG. 3 is a top perspective view of the lid.  
FIG. 4 is a front side view of the lid.  
FIG. 5 is a back side view of the lid.  
FIG. 6 is a top view of the lid.  
FIG. 7 is a bottom view of the lid.  
FIG. 8 is a left side view of the lid.  
FIG. 9 is a right side view of the lid.  
FIG. 10 is a bottom perspective view of the lid.  
FIG. 11 is a top perspective view of the tray.  
FIG. 12 is a front side view of the tray.  
FIG. 13 is a back side view of the tray.  
FIG. 14 is a top view of the tray.  
FIG. 15 is a bottom view of the tray.  
FIG. 16 is a left side view of the tray.  
FIG. 17 is a right side view of the tray; and,  
FIG. 18 is a bottom perspective view of the tray.  
The broken line portions of the etching tray with lid are not claimed as part of the claimed design.

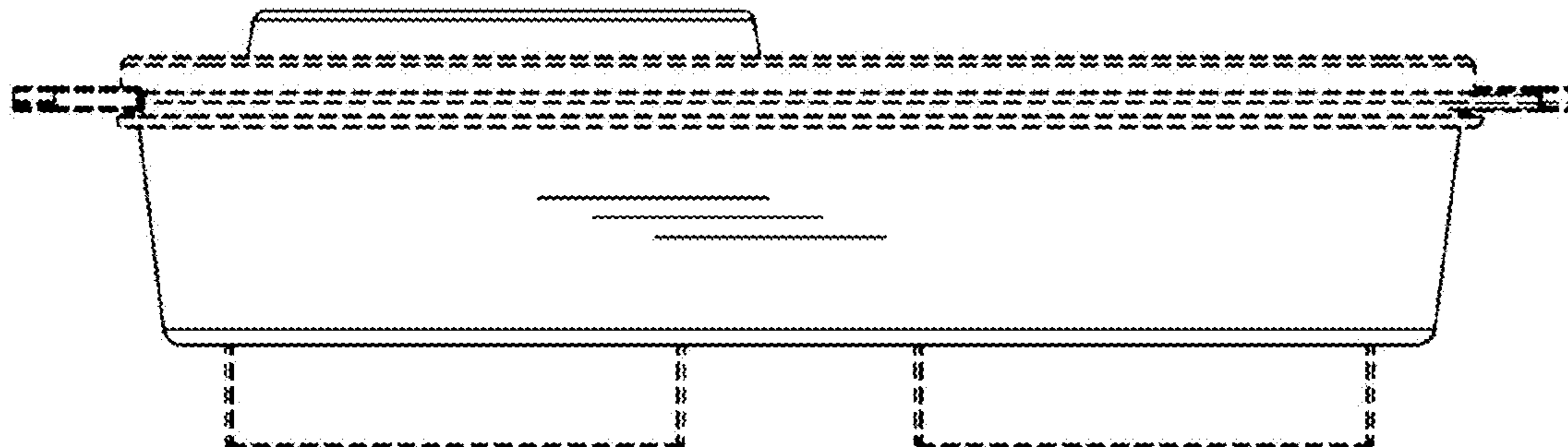
(56) **References Cited**

U.S. PATENT DOCUMENTS

1,411,868	A	4/1922	Myers	
1,692,710	A *	11/1928	Spahn	220/288
1,935,100	A *	11/1933	Paull et al.	222/546
2,127,268	A *	8/1938	Palmer	222/546
2,727,651	A *	12/1955	Mickelson	220/792
3,136,323	A	6/1964	Martz et al.	
3,986,610	A	10/1976	Hawn	
4,084,080	A	4/1978	McMahan	
4,139,005	A *	2/1979	Dickey	138/89

(Continued)

**1 Claim, 18 Drawing Sheets**



(56)

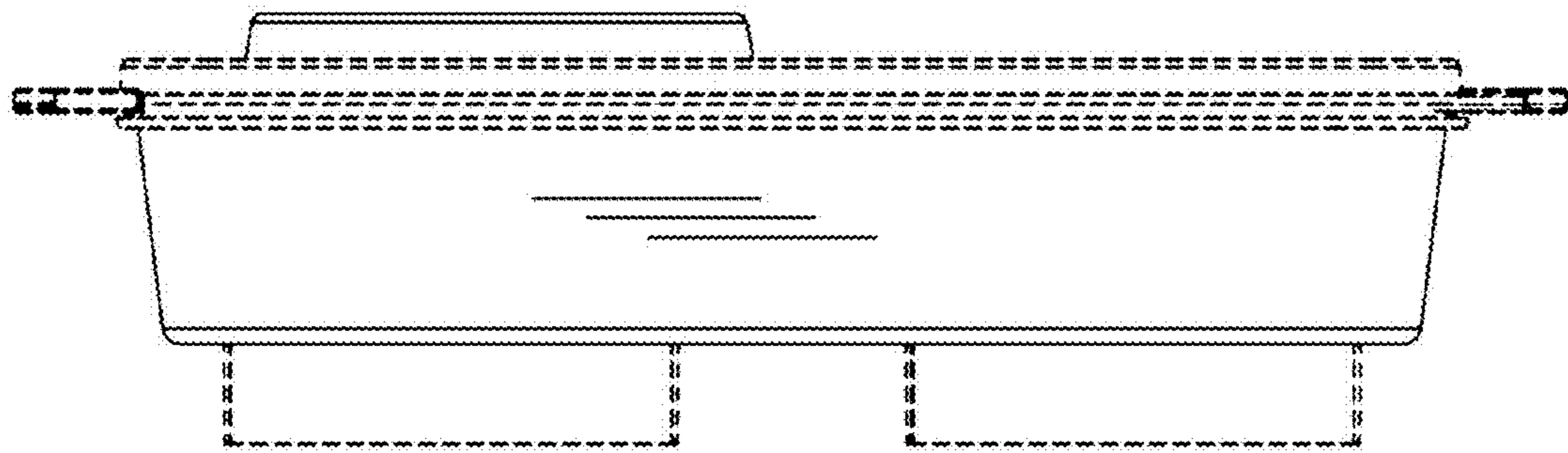
**References Cited**

U.S. PATENT DOCUMENTS

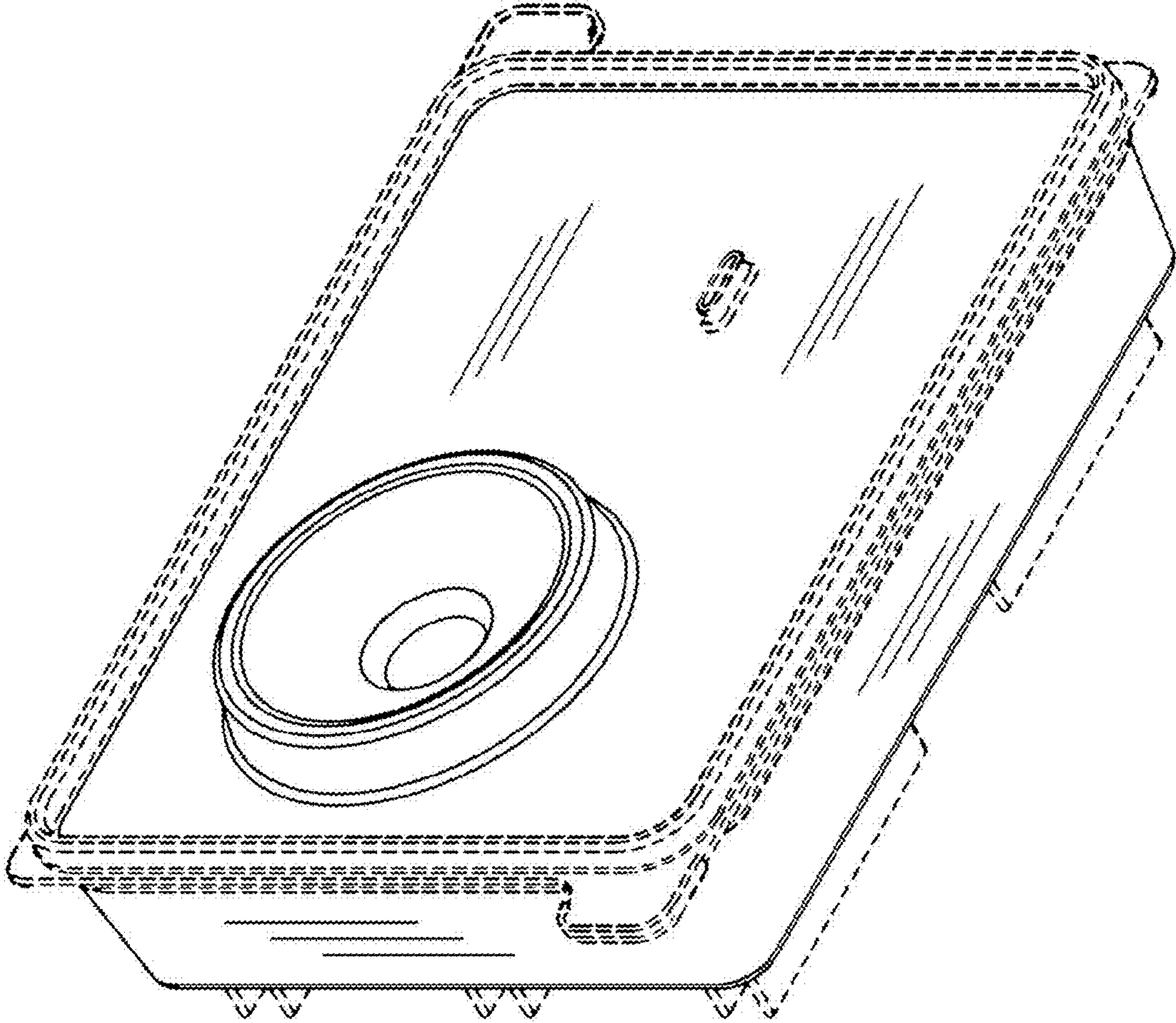
4,475,665 A 10/1984 Norton  
 4,475,977 A 10/1984 Dunn  
 D392,985 S \* 3/1998 Williams ..... D15/140  
 D519,135 S \* 4/2006 Conway et al. .... D15/139  
 D575,610 S \* 8/2008 Holl et al. .... D8/71  
 7,558,369 B1 7/2009 Mourik et al.  
 7,616,734 B1 11/2009 Corbett et al.  
 7,649,173 B2 1/2010 Hu et al.  
 7,801,268 B1 9/2010 Mourik et al.  
 7,864,919 B1 1/2011 Eyre et al.  
 8,014,492 B1 9/2011 Corbett et al.  
 8,130,903 B2 3/2012 Corbett et al.  
 8,147,572 B2 4/2012 Eyre et al.

D669,968 S \* 10/2012 Morishita ..... D23/259  
 D678,481 S \* 3/2013 Branco ..... D23/260  
 D693,390 S \* 11/2013 Wachsmann et al. .... D15/140  
 D711,442 S \* 8/2014 Brassel et al. .... D15/140  
 D724,196 S 3/2015 Turner  
 2007/0169419 A1 7/2007 Davis et al.  
 2007/0284152 A1 12/2007 Eyre et al.  
 2010/0011673 A1 1/2010 Shamburger  
 2010/0012391 A1 1/2010 Shamburger  
 2011/0056141 A1 3/2011 Miess et al.  
 2011/0233169 A1\* 9/2011 Mayfield et al. .... 216/37  
 2011/0250498 A1 10/2011 Green et al.  
 2012/0048468 A1 3/2012 Turner  
 2014/0115971 A1 5/2014 Sani et al.  
 2015/0059977 A1 3/2015 Turner  
 2015/0101753 A1 4/2015 Turner

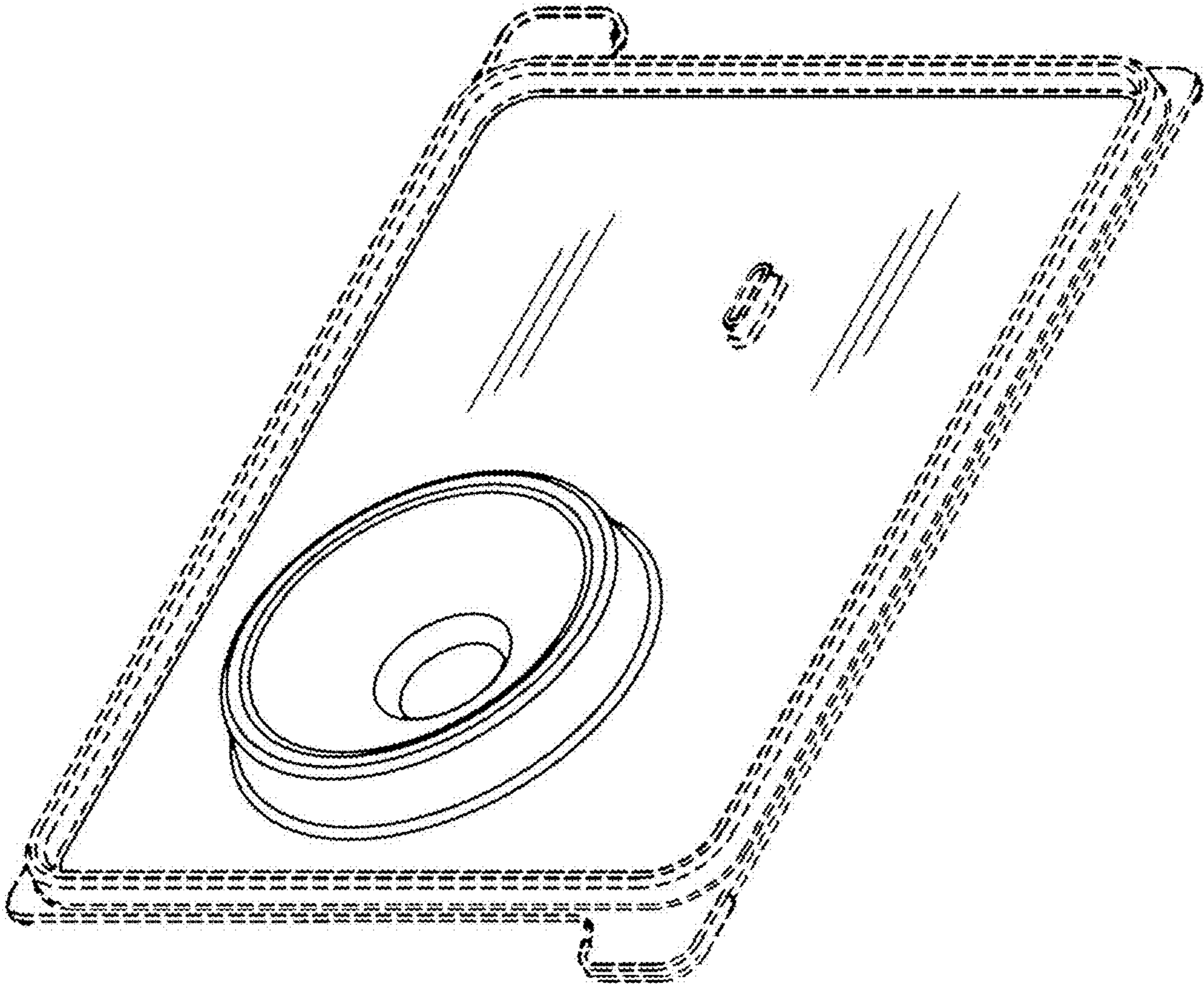
\* cited by examiner



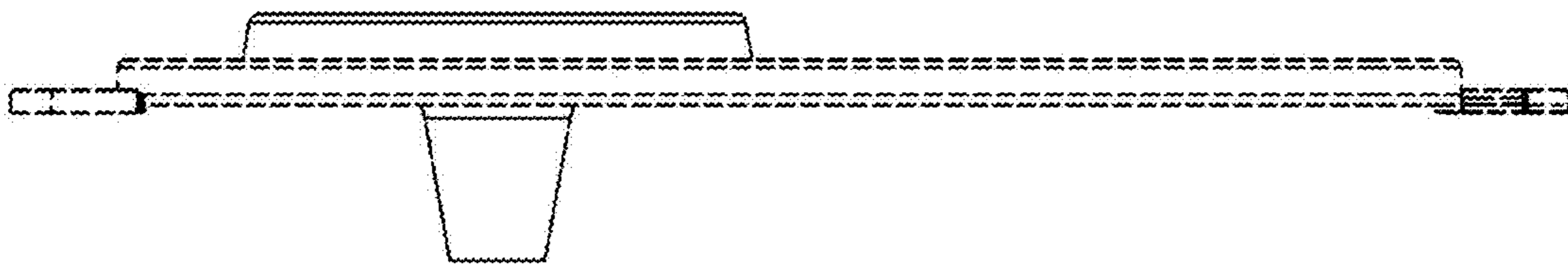
**FIG. 1**



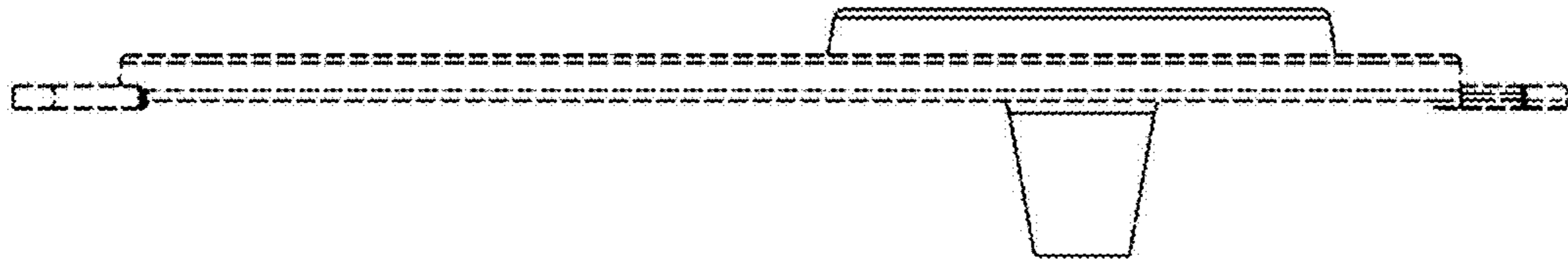
**FIG. 2**



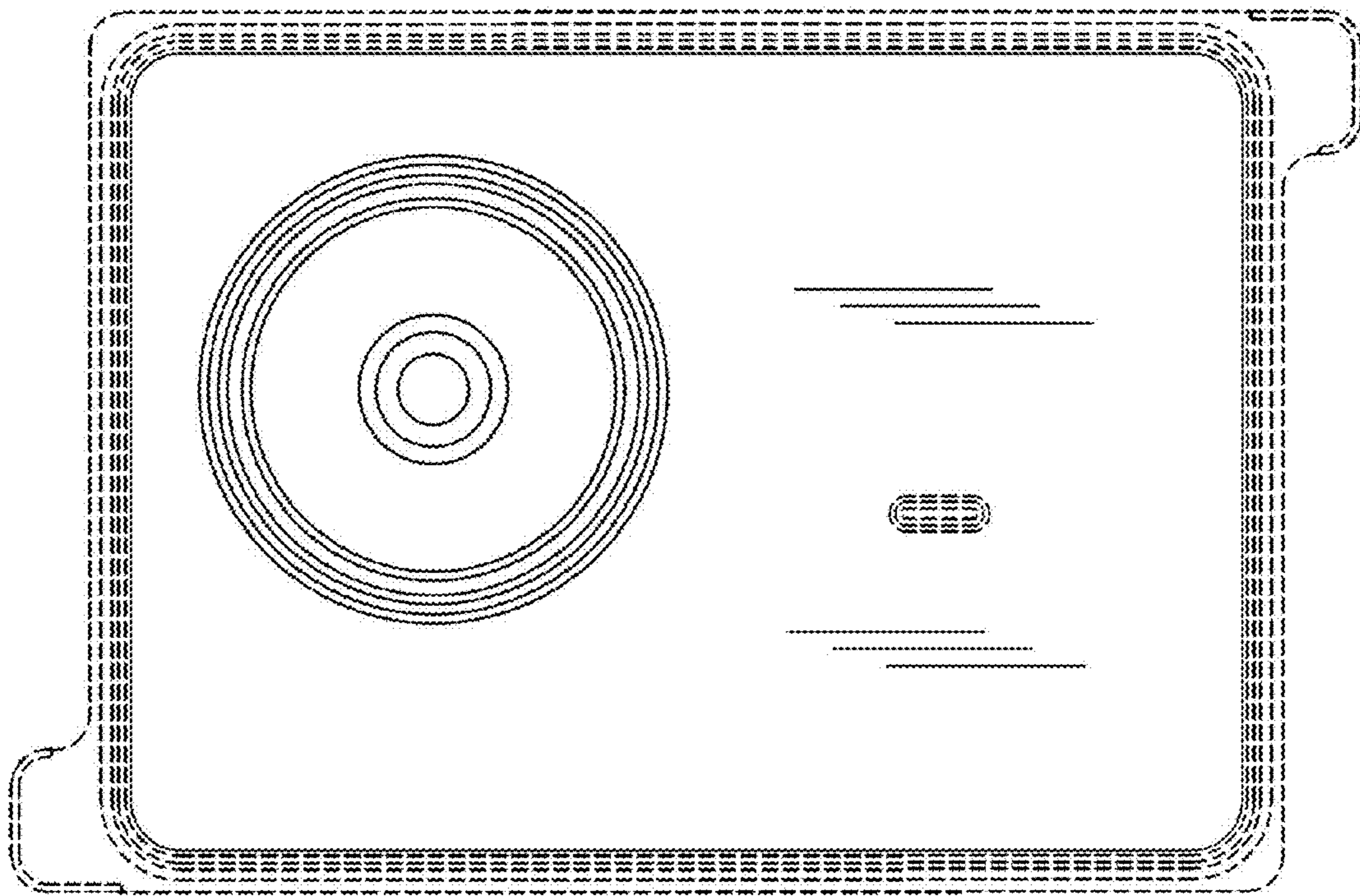
**FIG. 3**



**FIG. 4**

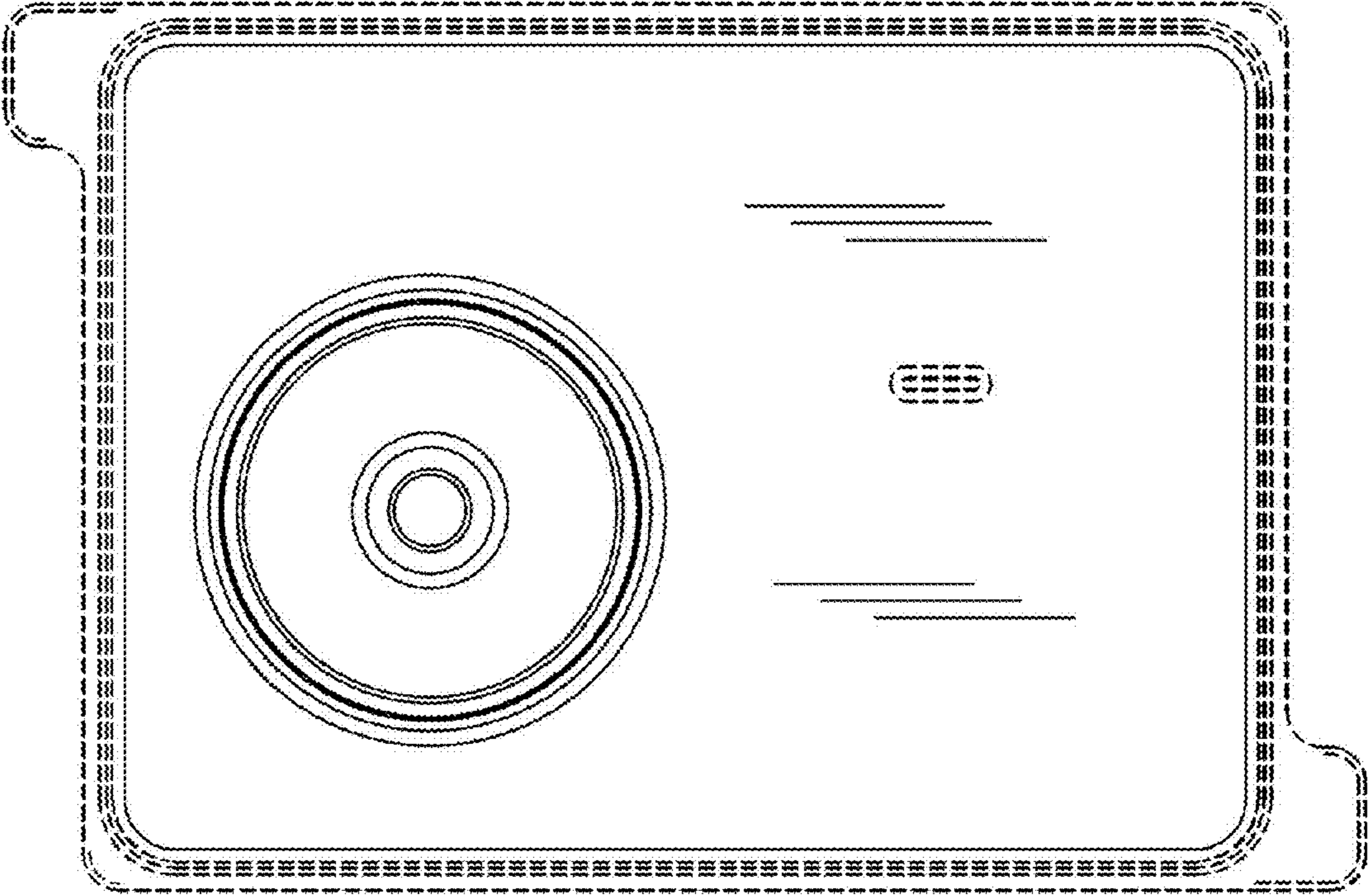


**FIG. 5**

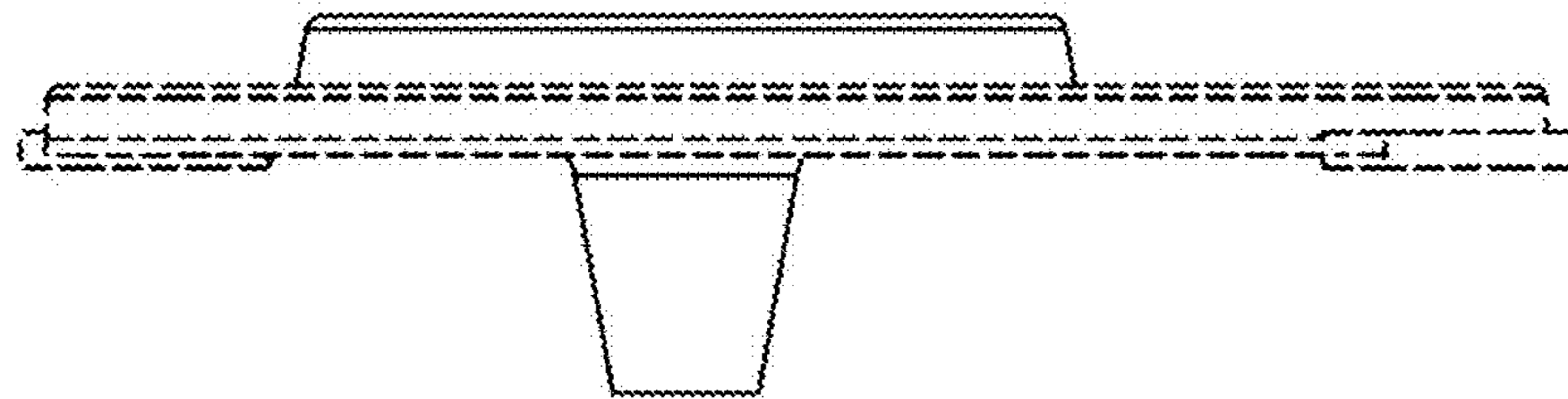


**FIG. 6**

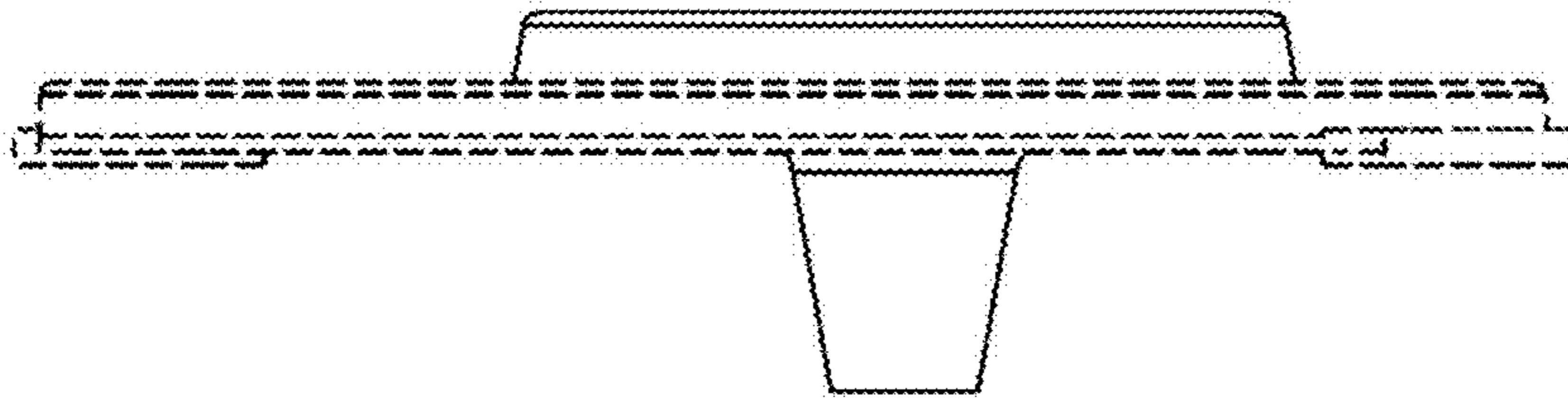




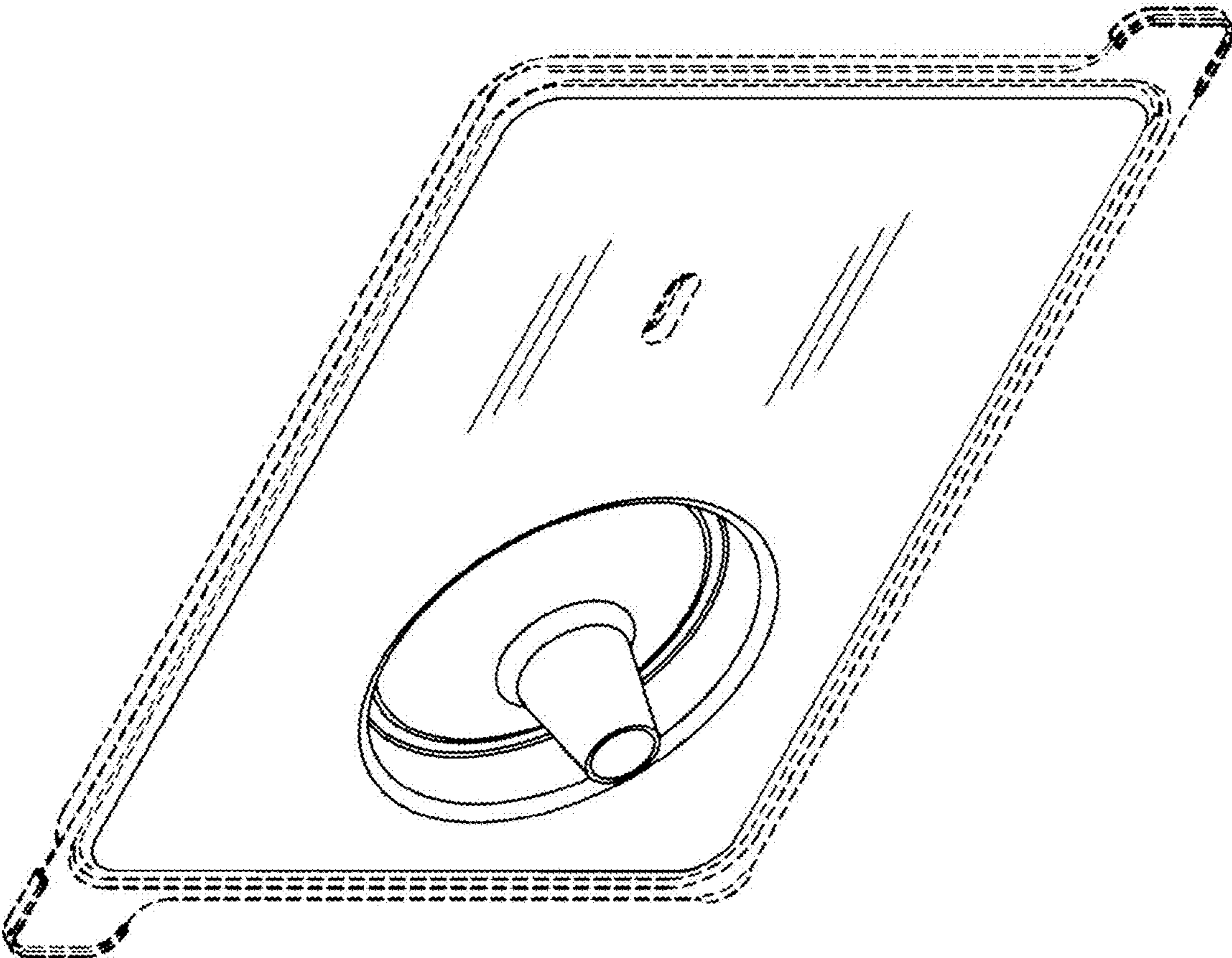
**FIG. 7**



**FIG. 8**



**FIG. 9**



**FIG. 10**

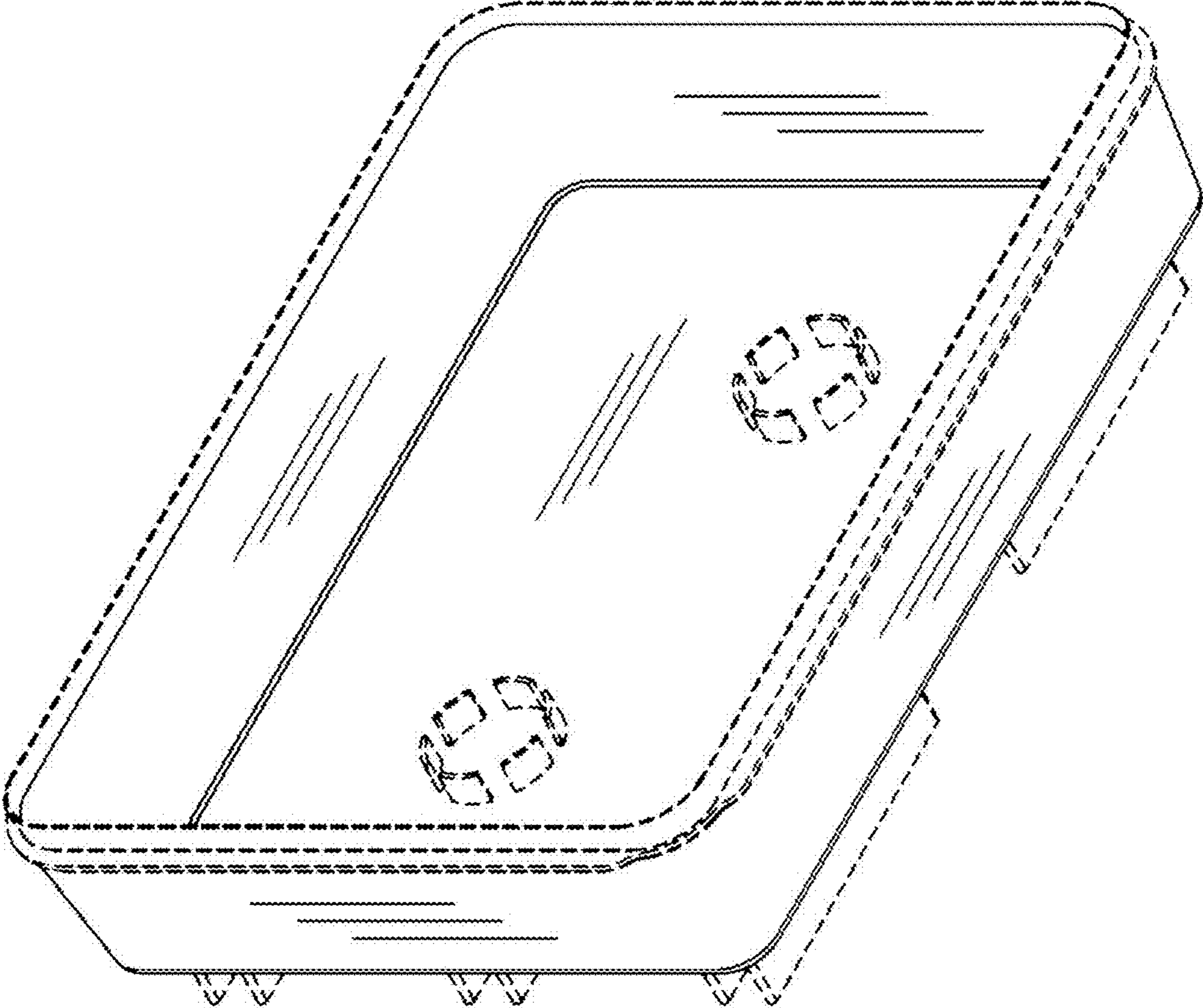
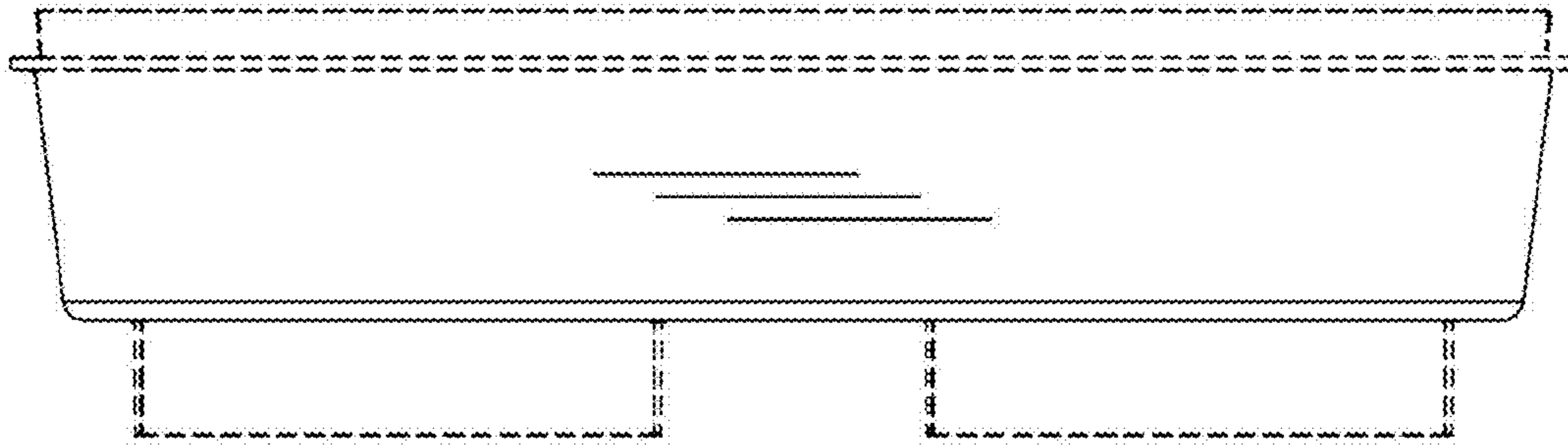
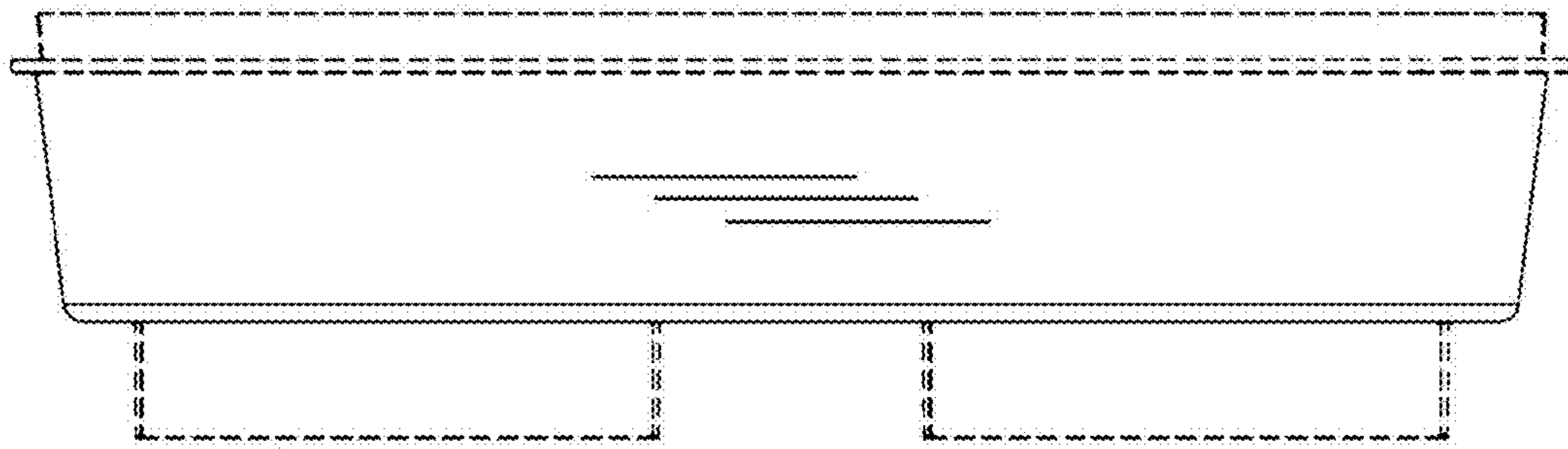


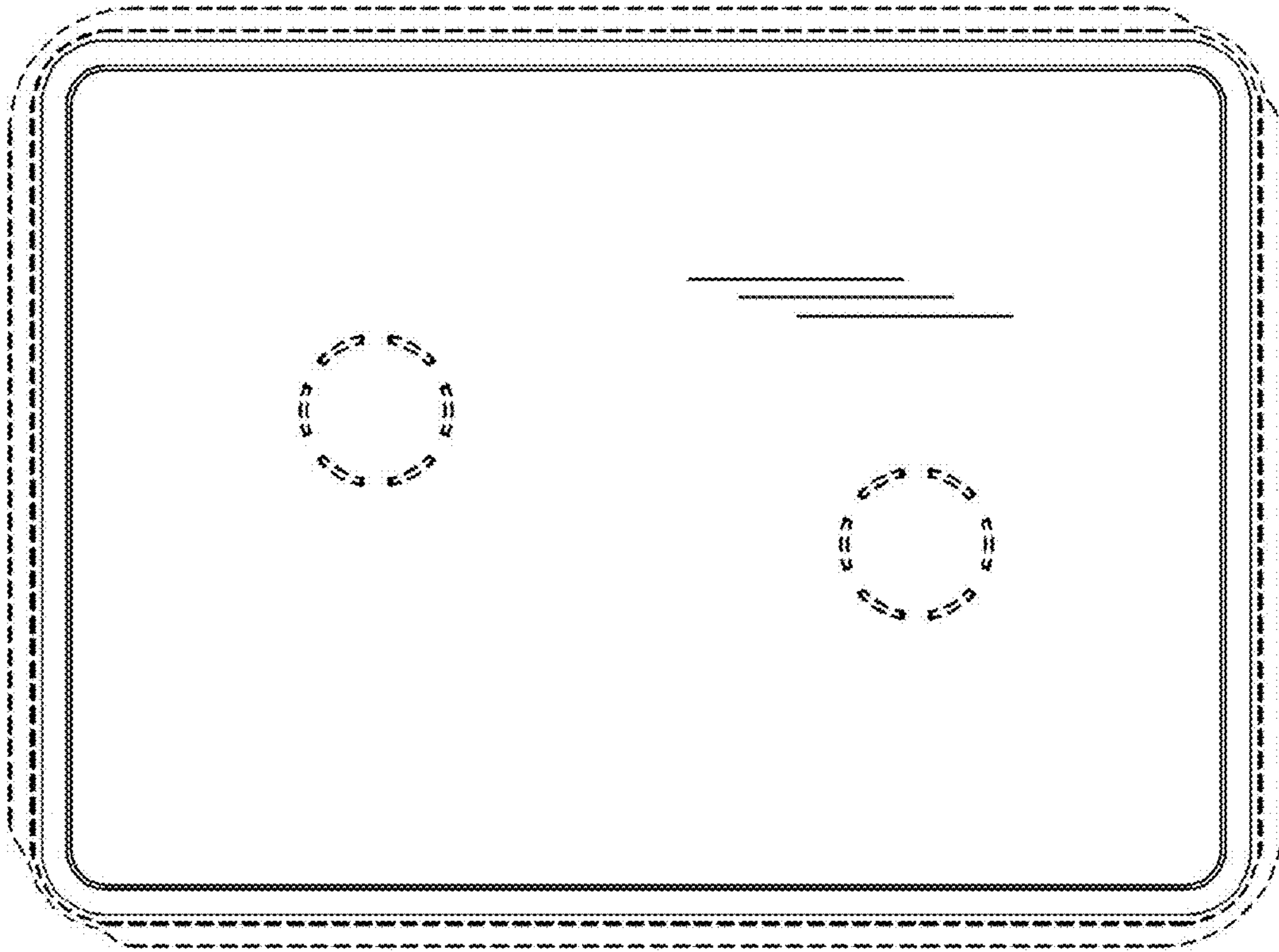
FIG. 11



**FIG. 12**

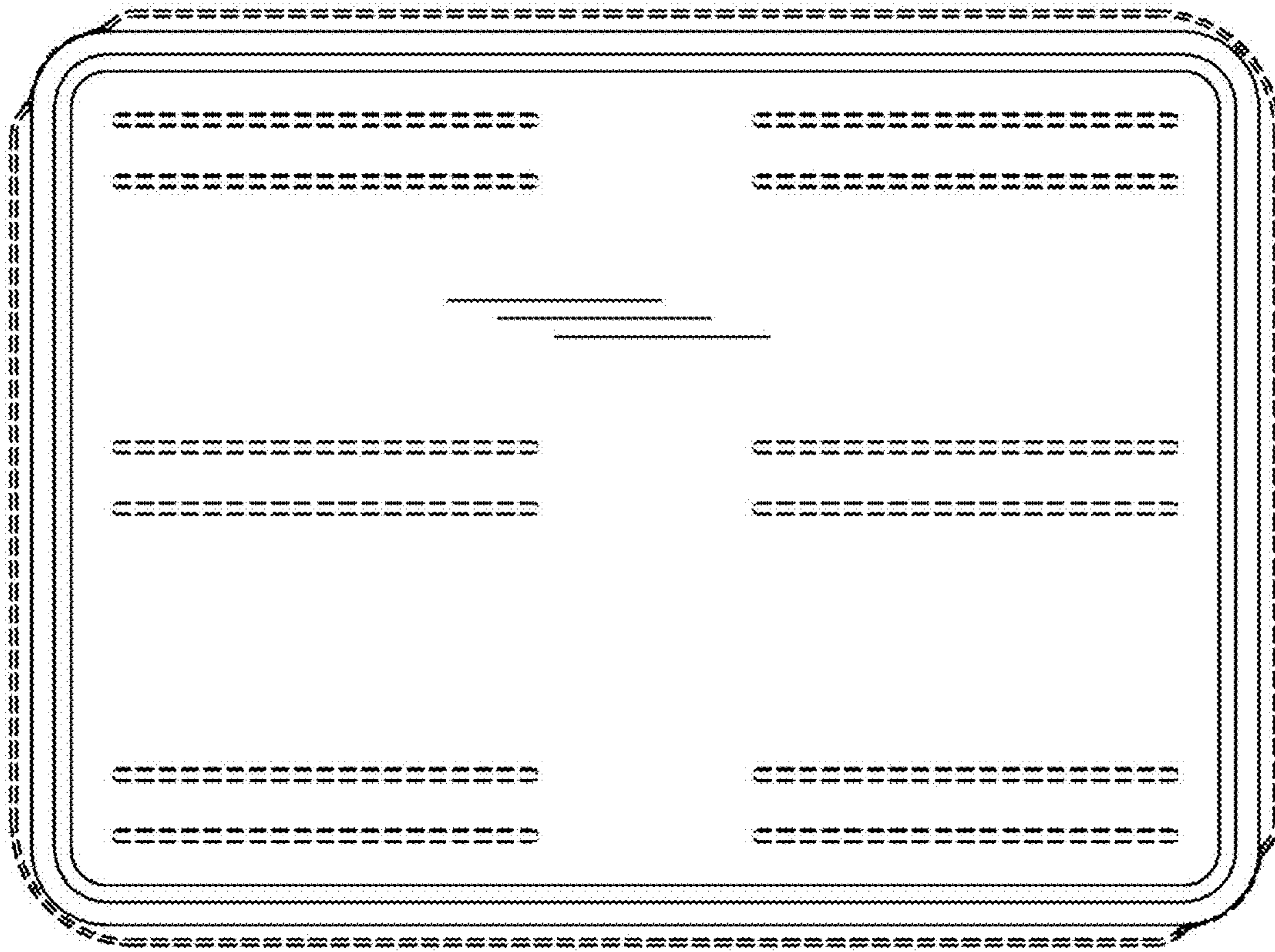


**FIG. 13**

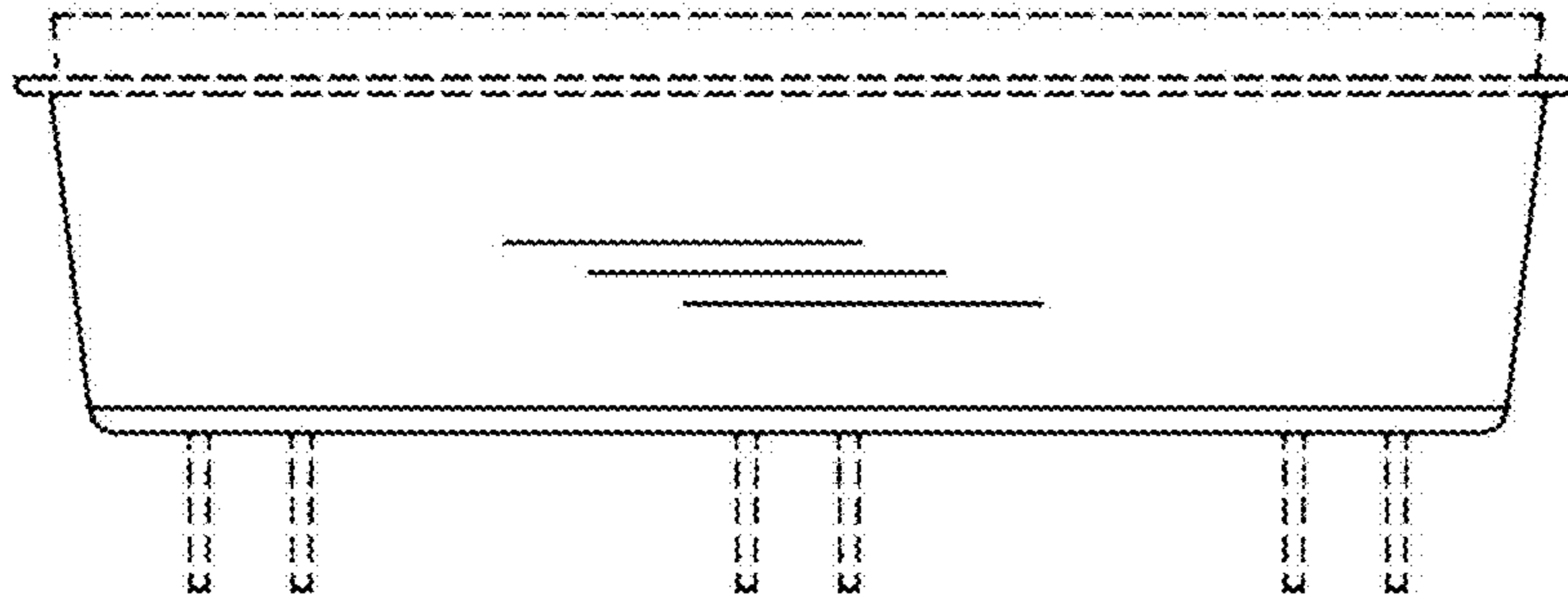


**FIG. 14**

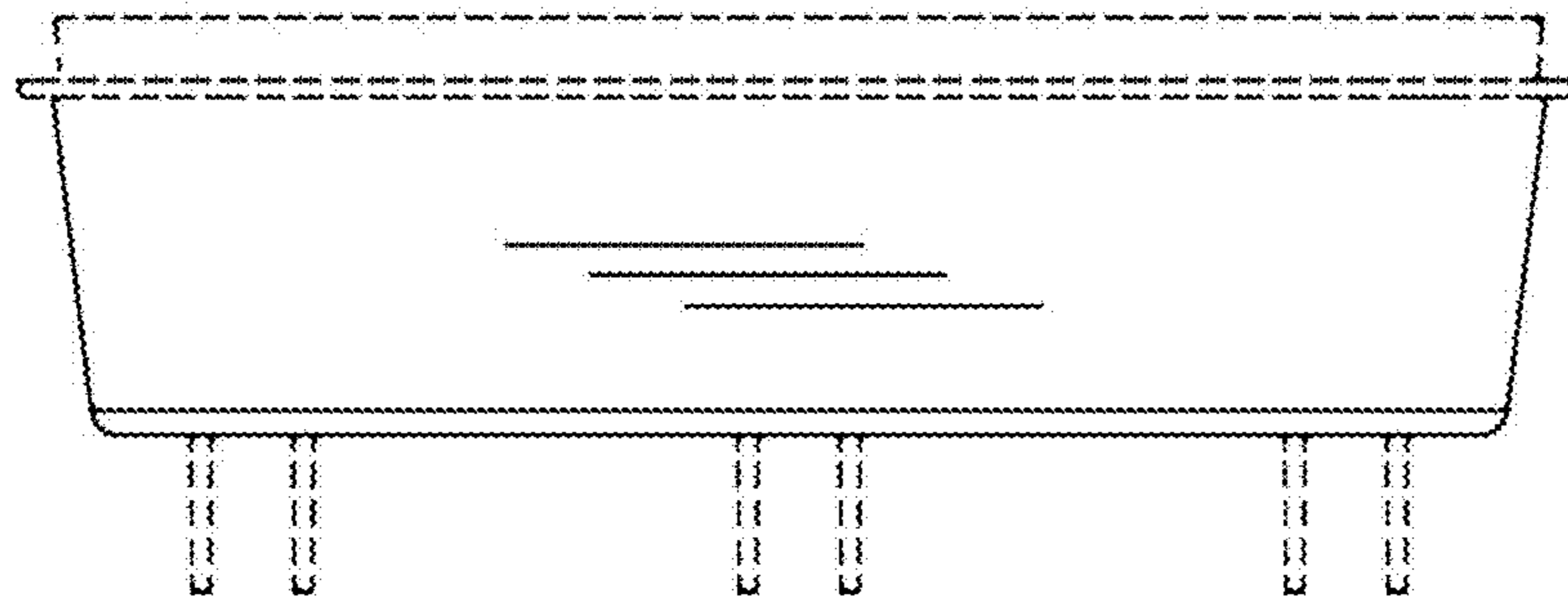




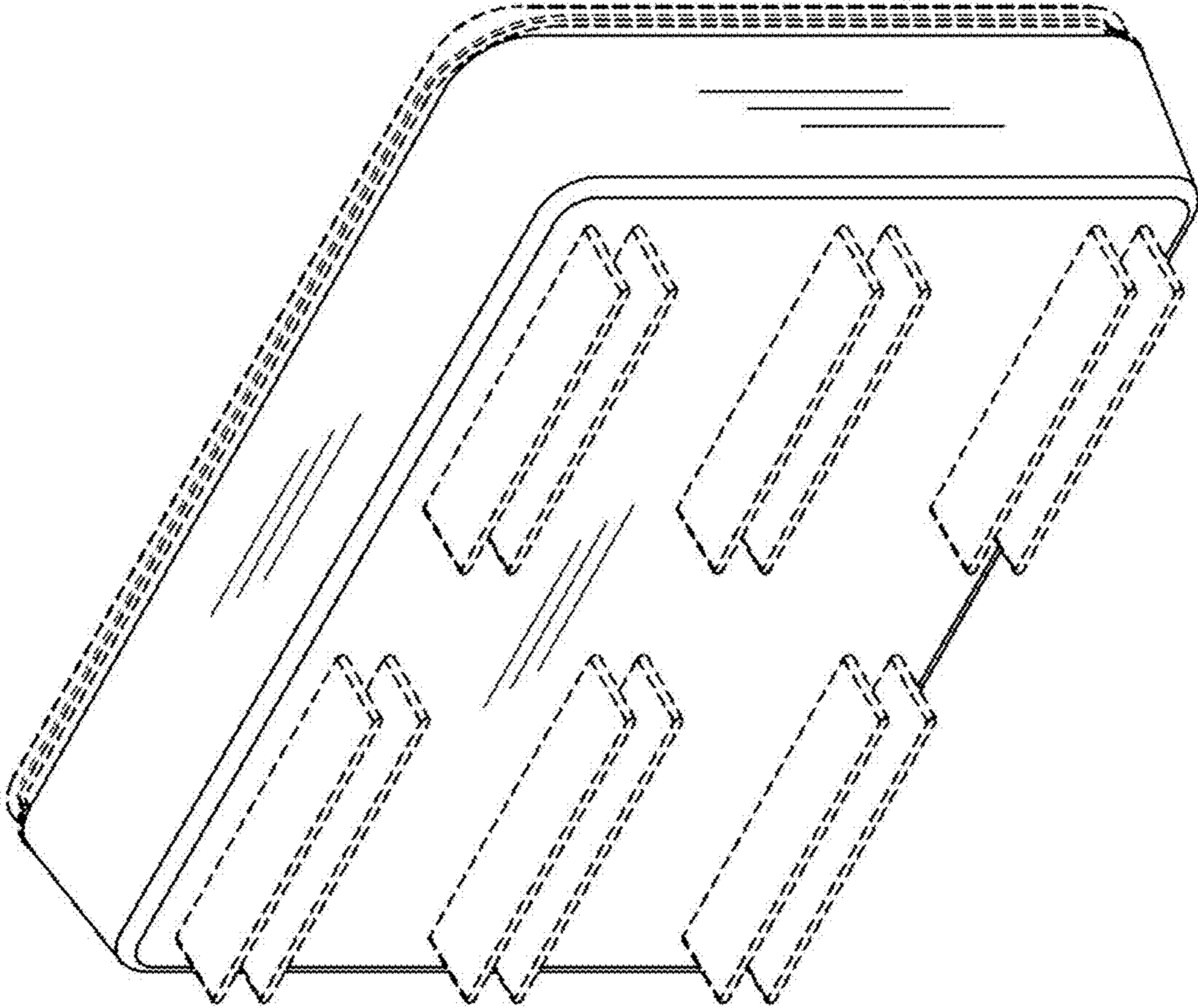
**FIG. 15**



**FIG. 16**



**FIG. 17**



**FIG. 18**