



US00D744015S

(12) **United States Design Patent**
Leopold

(10) **Patent No.:** **US D744,015 S**

(45) **Date of Patent:** **** Nov. 24, 2015**

(54) **HOUSING OF AN EXTRUSION PRESS**

(71) Applicant: **Windmoeller & Hoelscher KG**,
Lengerich (DE)

(72) Inventor: **Thorsten Leopold**, Lengerich (DE)

(73) Assignee: **WINDMOELLER & HOELSCHER**
KG, Lengerich (DE)

(**) Term: **14 Years**

(21) Appl. No.: **29/488,170**

(22) Filed: **Apr. 16, 2014**

(30) **Foreign Application Priority Data**

Oct. 16, 2013 (DE) 40 2013 004 575

(51) **LOC (10) Cl.** **15-09**

(52) **U.S. Cl.**
USPC **D15/135**

(58) **Field of Classification Search**
USPC D8/70; D15/135, 136, 138
See application file for complete search history.

(56) **References Cited**

U.S. PATENT DOCUMENTS

3,583,197 A * 6/1971 Robra 72/255

3,698,227 A * 10/1972 Allen 72/263
4,064,723 A * 12/1977 Larsson et al. 72/60
4,084,422 A * 4/1978 Zilges et al. 72/273.5
4,120,633 A * 10/1978 Feuerherm 425/462
4,342,212 A * 8/1982 Sibler 72/255
4,570,473 A * 2/1986 Huertgen 72/255
4,606,210 A * 8/1986 Wagner et al. 72/261
5,054,303 A * 10/1991 Newman 72/38
5,518,676 A * 5/1996 de Rocheprise 264/127

* cited by examiner

Primary Examiner — Patricia Palasik

(74) *Attorney, Agent, or Firm* — Jacobson Holman, PLLC.

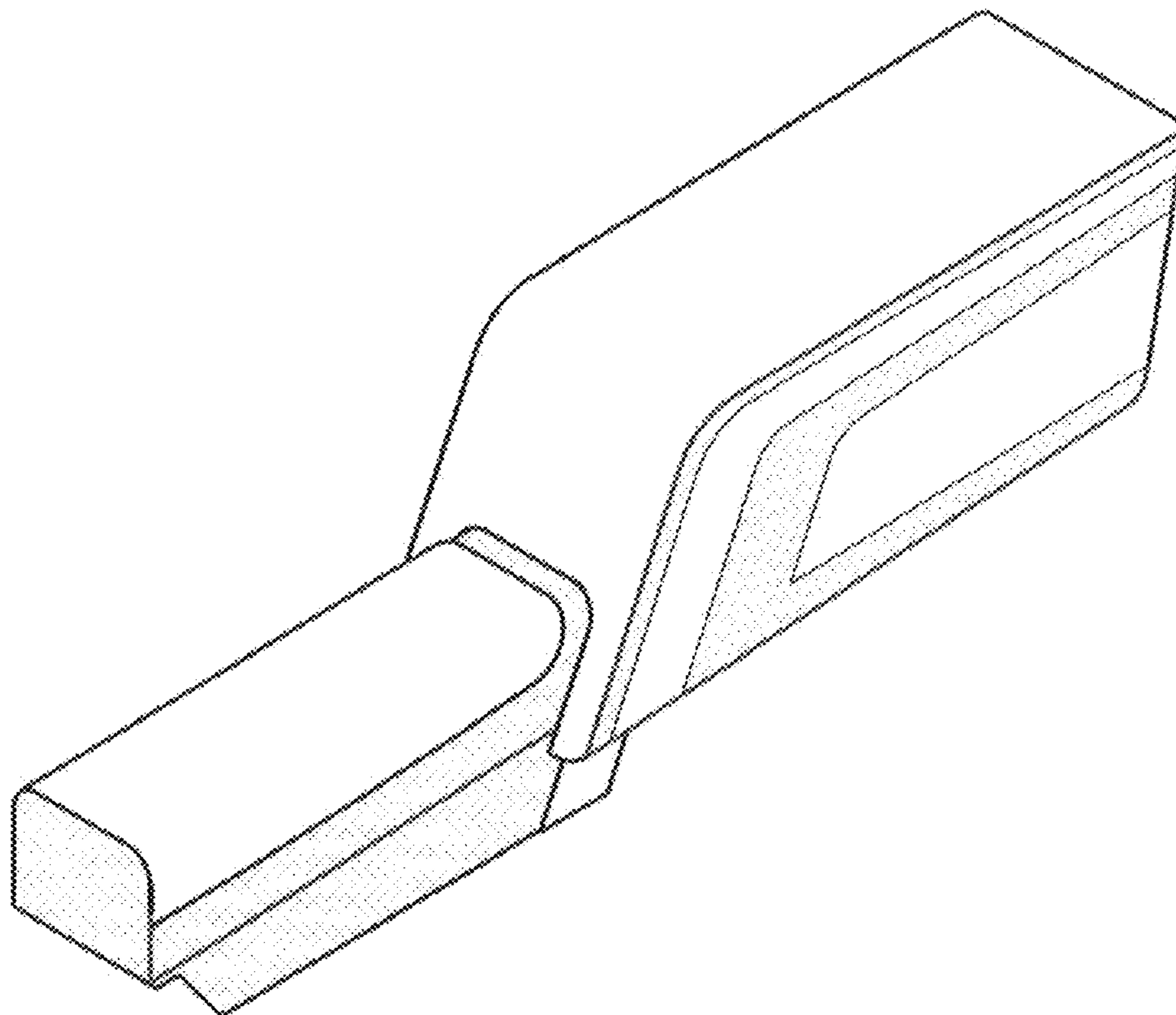
(57) **CLAIM**

I claim the ornamental design for a housing of an extrusion press, as shown and described.

DESCRIPTION

FIG. 1 is a front perspective view of a housing of an extrusion press embodying my design;
FIG. 2 is a right side elevational view of FIG. 1;
FIG. 3 is a left side elevational view of FIG. 1;
FIG. 4 is a front elevational view of FIG. 1;
FIG. 5 is a back elevational view of FIG. 1;
FIG. 6 is a top plan view of FIG. 1; and,
FIG. 7 is a bottom view of FIG. 1.

1 Claim, 4 Drawing Sheets



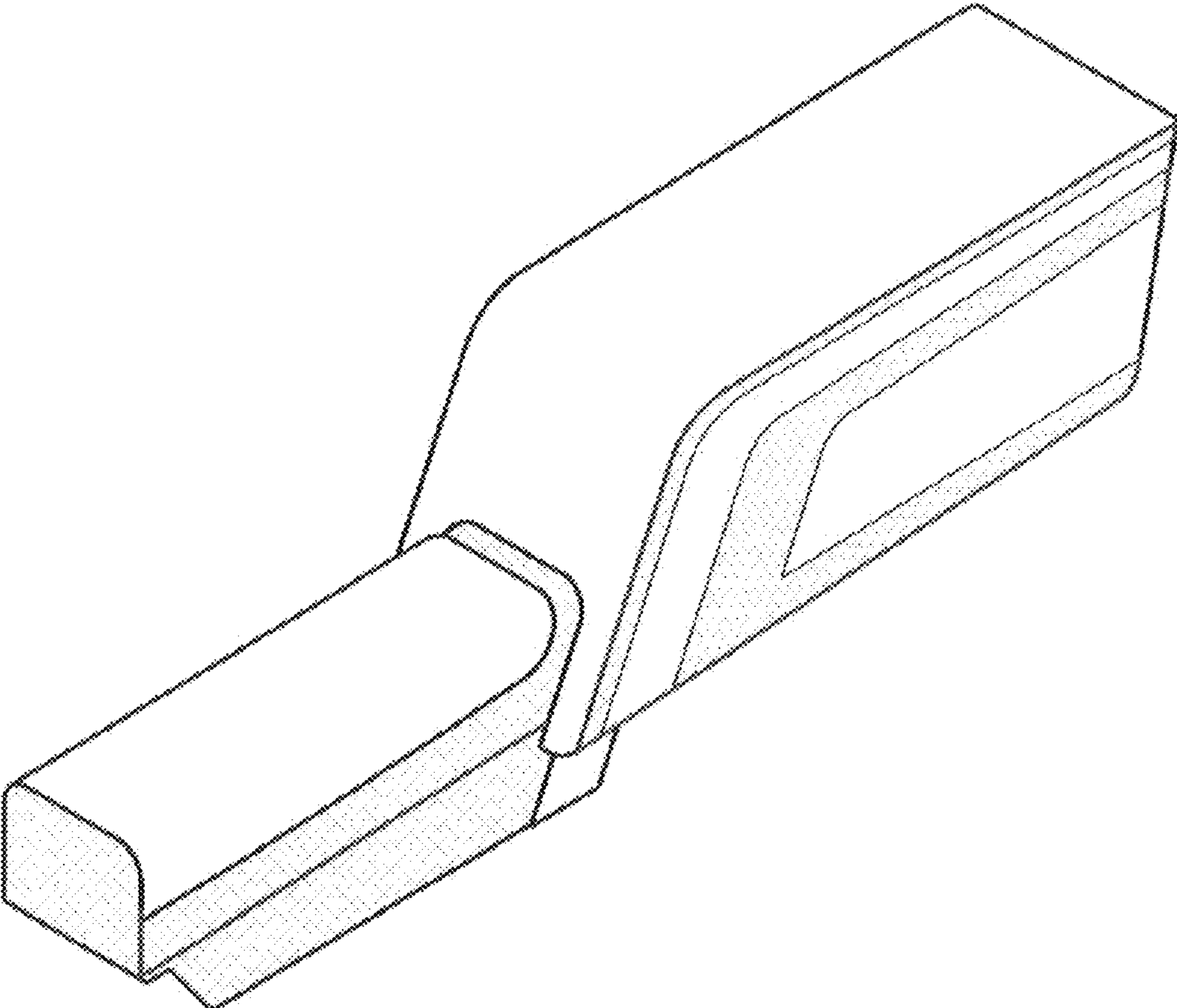


FIG. 1

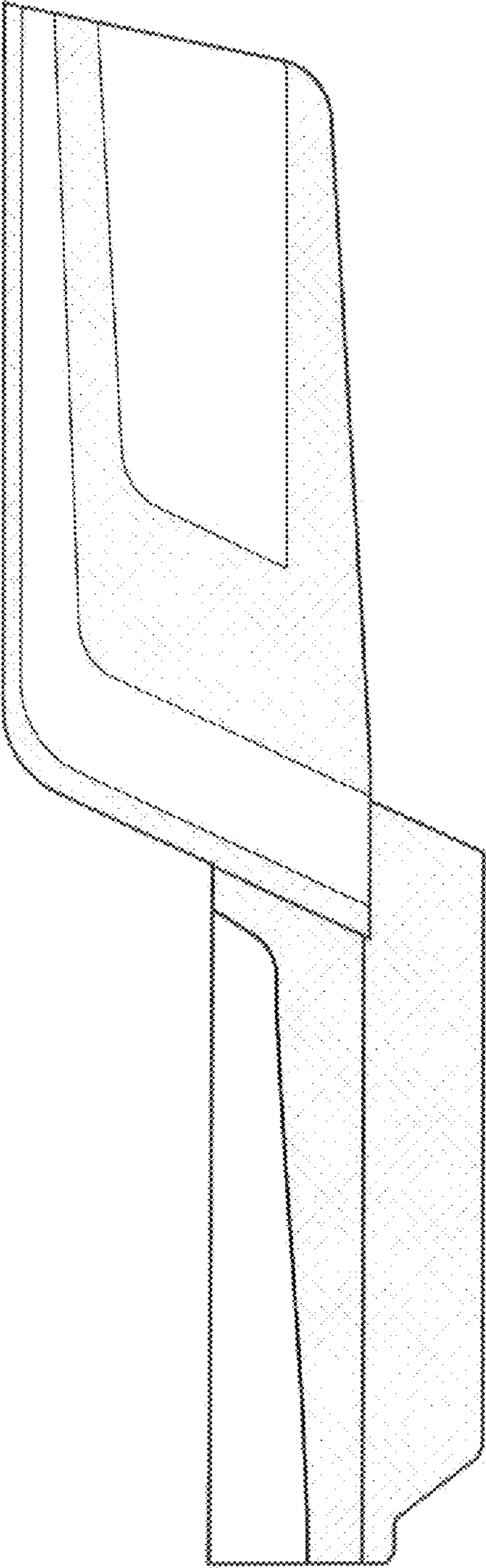


FIG. 2

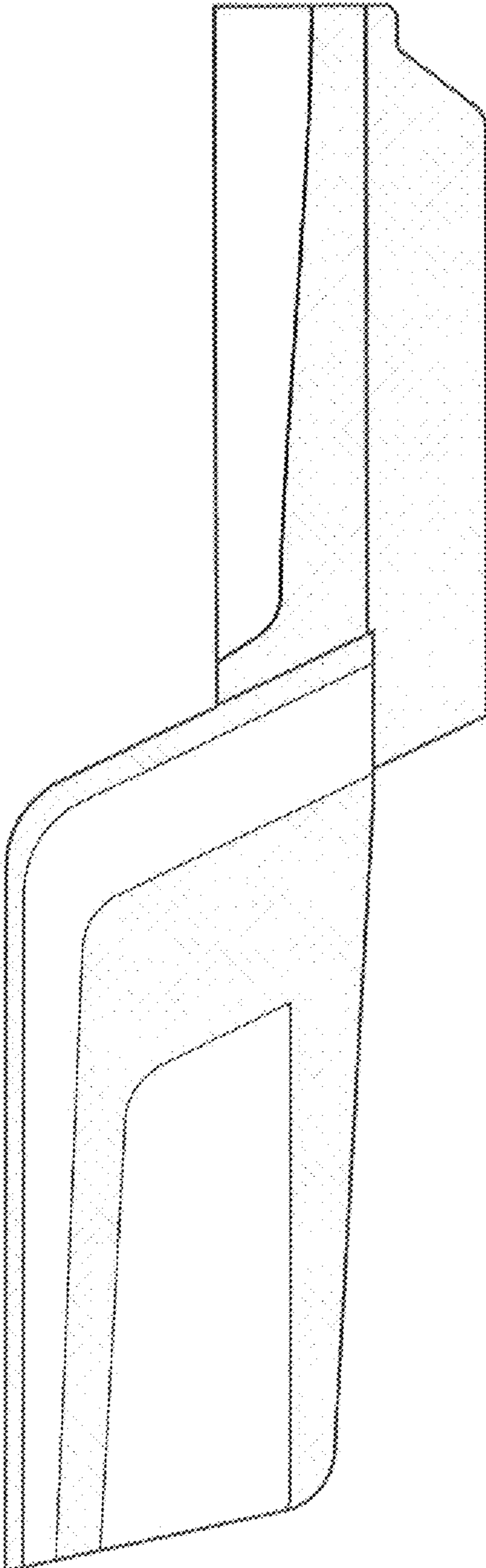


FIG. 3

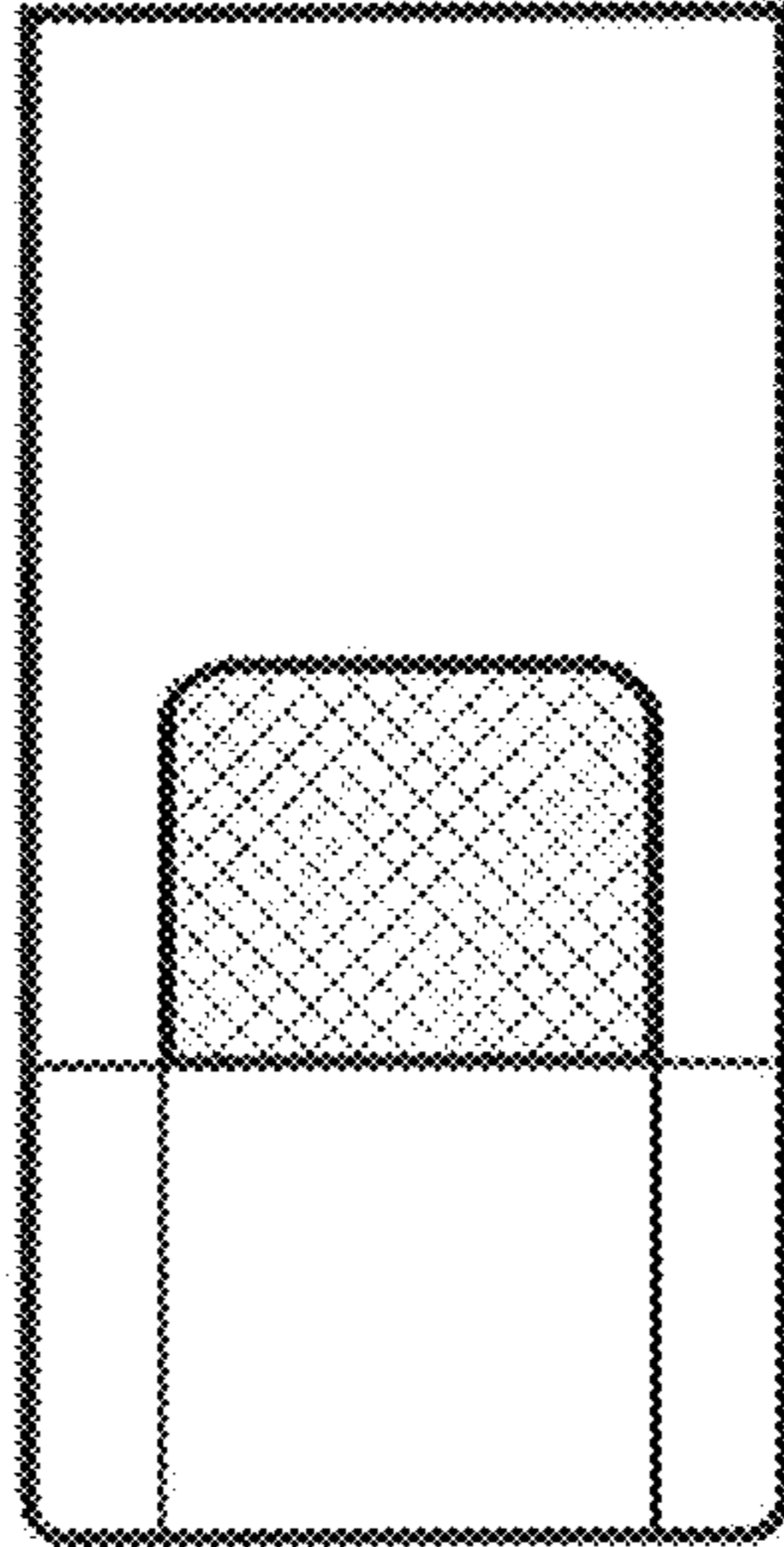


FIG. 4

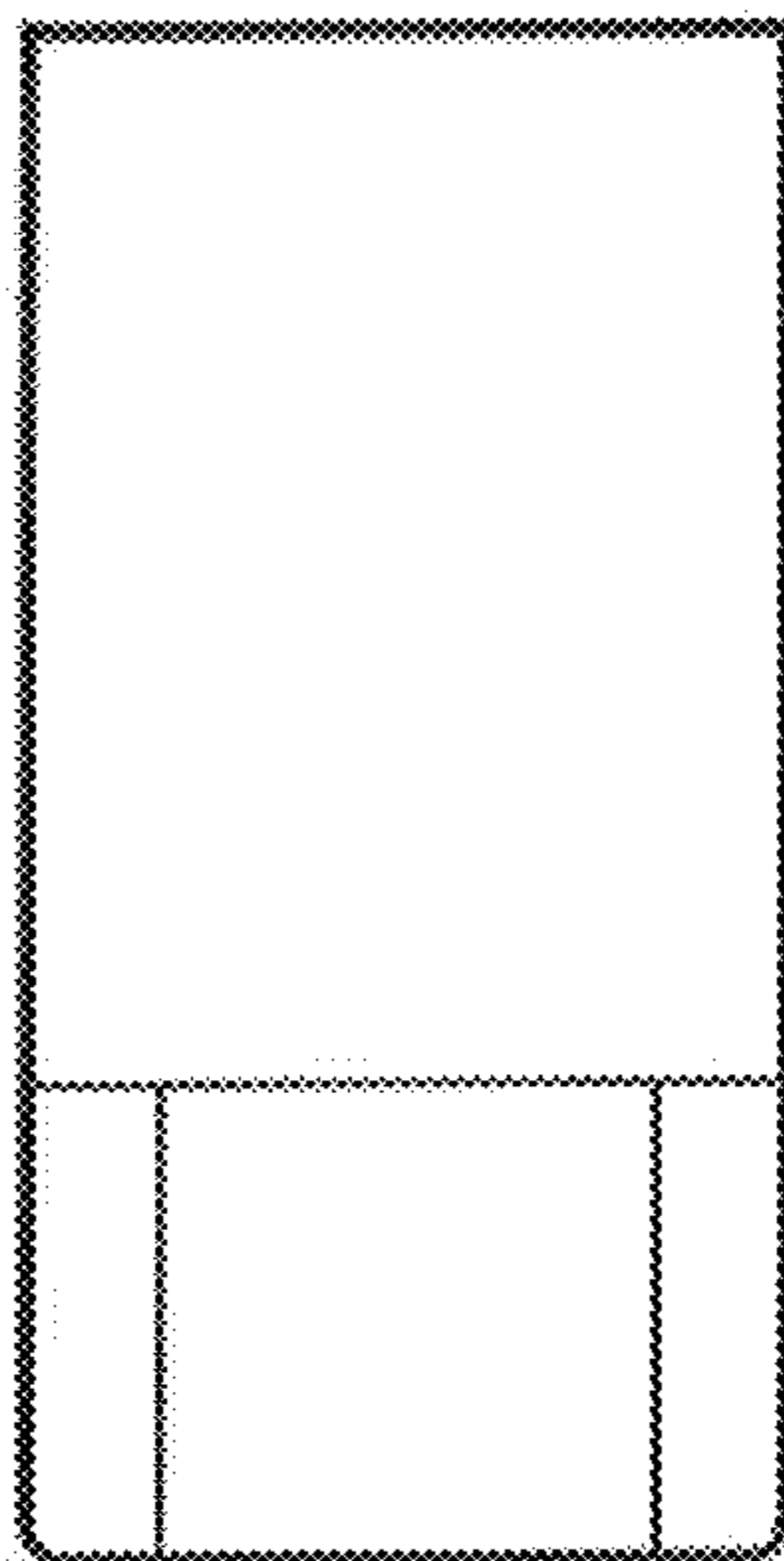


FIG. 5

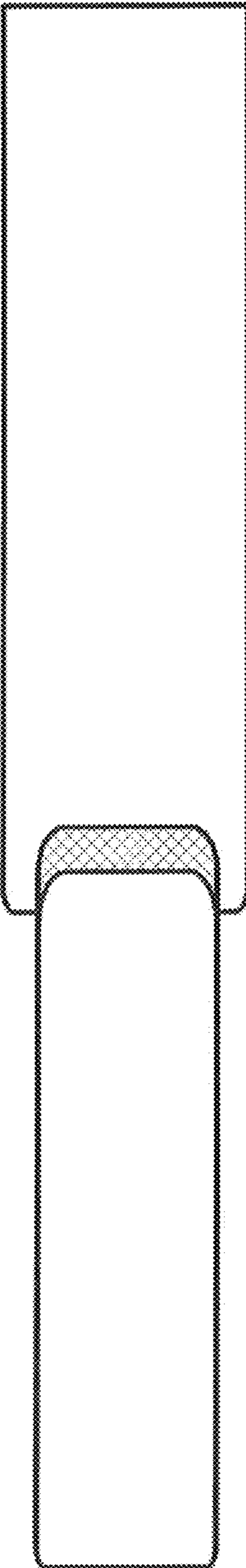


FIG. 6

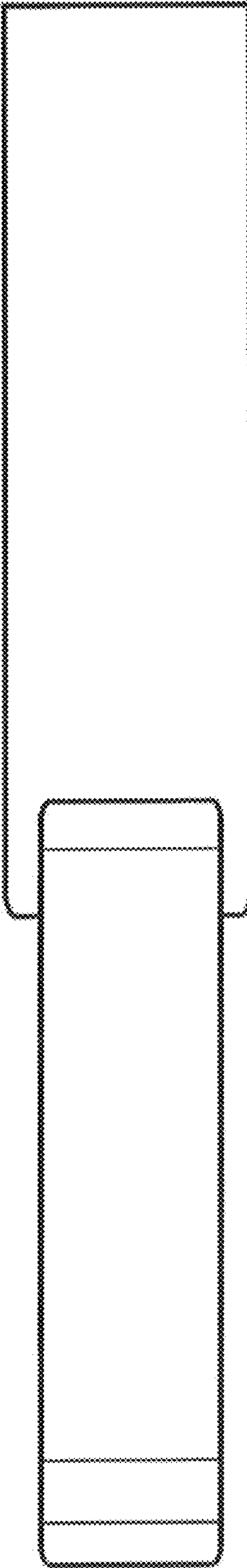


FIG. 7