

US00D744011S

(12) **United States Design Patent**  
**Reaux**

(10) **Patent No.:** **US D744,011 S**

(45) **Date of Patent:** **\*\* Nov. 24, 2015**

(54) **COMPACT REFRIGERATOR FOR FREEZE RELATED SHAPE HAVING WHEELS AND A HANDLE**

(71) Applicant: **Brian K. Reaux**, Red Oak, TX (US)

(72) Inventor: **Brian K. Reaux**, Red Oak, TX (US)

(\*\*) Term: **14 Years**

(21) Appl. No.: **29/474,036**

(22) Filed: **May 8, 2014**

(51) **LOC (10) Cl.** ..... **15-07**

(52) **U.S. Cl.**  
USPC ..... **D15/79**

(58) **Field of Classification Search**  
USPC ..... D15/79-91

CPC ..... F25B 21/02; F25B 2321/02; F25B 1/005;  
F25B 2321/0252; F25B 1/00; F25B 1/10;  
F25B 21/04; F25B 2339/047; F25B 5/02;  
F25B 7/00; F25B 13/00; F25B 1/053; F25B  
2309/06; F25B 2321/021; F25B 2321/023;  
F25D 23/028; F25D 23/02; F25D 25/025;  
F25D 23/00; F25D 2323/021; F25D 11/00;  
F25D 2323/024; F25D 23/04; F25D 29/00;  
F25D 25/02; F25D 25/024; F25D 27/005;  
F25D 29/005; F25D 17/042; F25D 2325/021;  
F25D 23/12

See application file for complete search history.

(56) **References Cited**

U.S. PATENT DOCUMENTS

D477,000	S	*	7/2003	Aldous et al.	.....	D15/81
D597,107	S	*	7/2009	Ohtake	.....	D15/80
D692,032	S	*	10/2013	LaFond et al.	.....	D15/80
D698,371	S	*	1/2014	Brenneis et al.	.....	D15/81
D701,888	S	*	4/2014	Schumaker et al.	.....	D15/81
D713,863	S	*	9/2014	Cosgrove et al.	.....	D15/88

\* cited by examiner

*Primary Examiner* — Daniel Bui

*Assistant Examiner* — Khawaja Anwar

(57) **CLAIM**

The ornamental design for a compact refrigerator freezer related having wheels and a handle, as shown and described.

**DESCRIPTION**

FIG. 1. is a perspective view of a compact refrigerator freezer related shape having wheels and a handle, showing my new design in use;

FIG. 2. is a front view thereof;

FIG. 3. is a back view thereof

FIG. 4. is a left side view having a mirror right side view thereof;

FIG. 5. is a top view thereof;

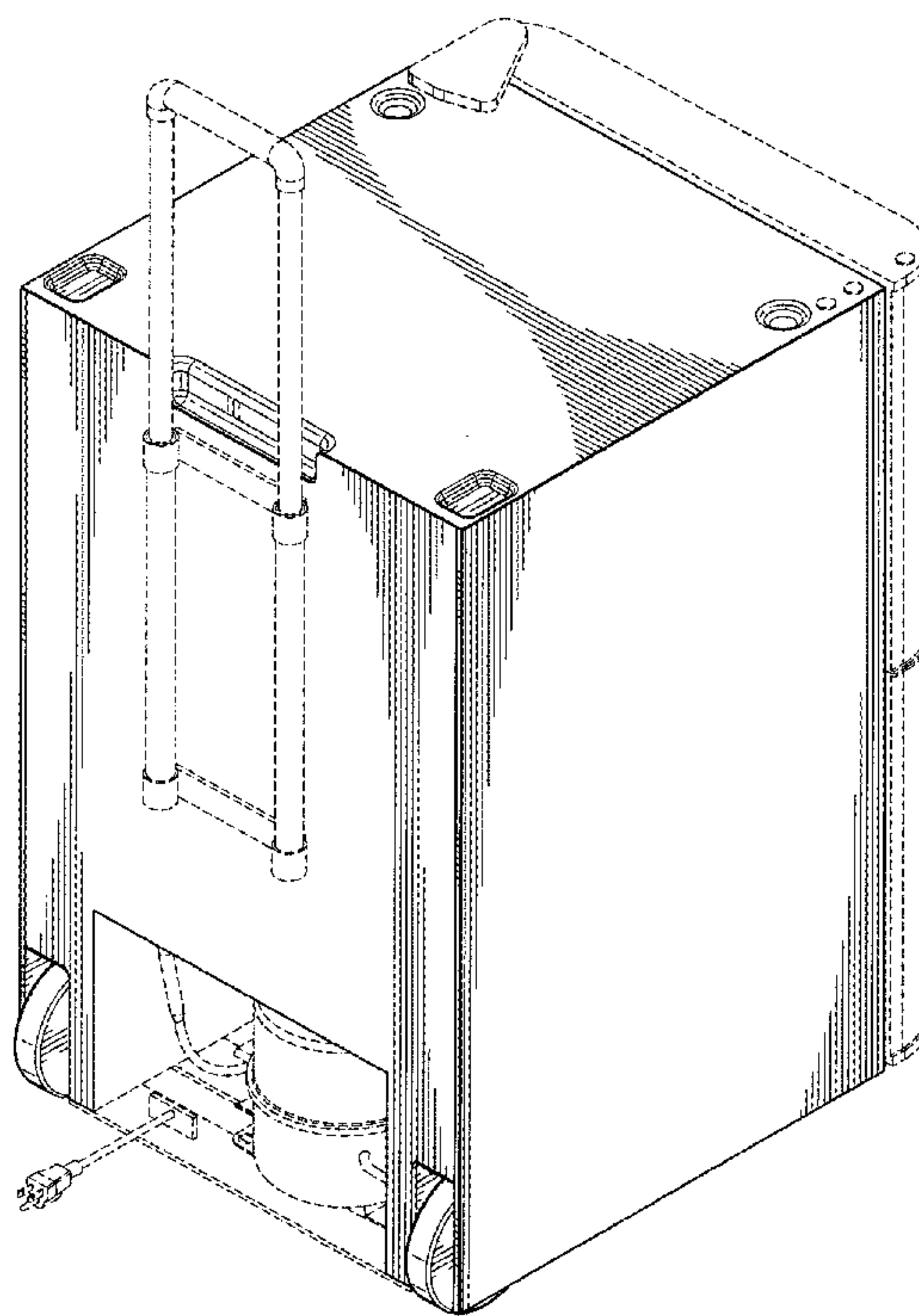
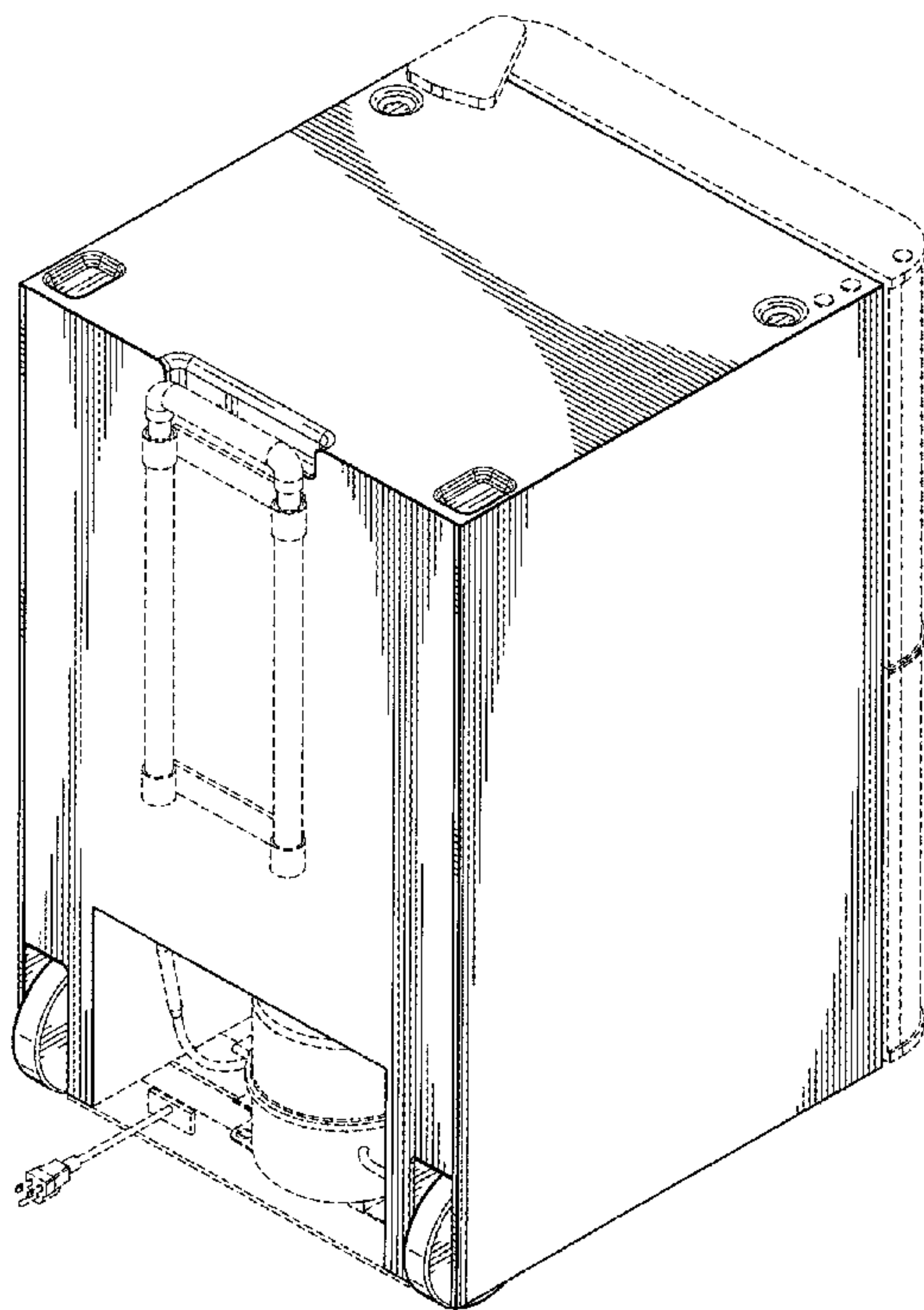
FIG. 6. is a bottom view thereof;

FIG. 7. is another perspective view thereof with the handle in the up position; and,

FIG. 8. is a perspective view thereof; in a stacked position in use.

The broken line in the figure drawings represents unclaimed environment and forms no part of the claimed design.

**1 Claim, 8 Drawing Sheets**



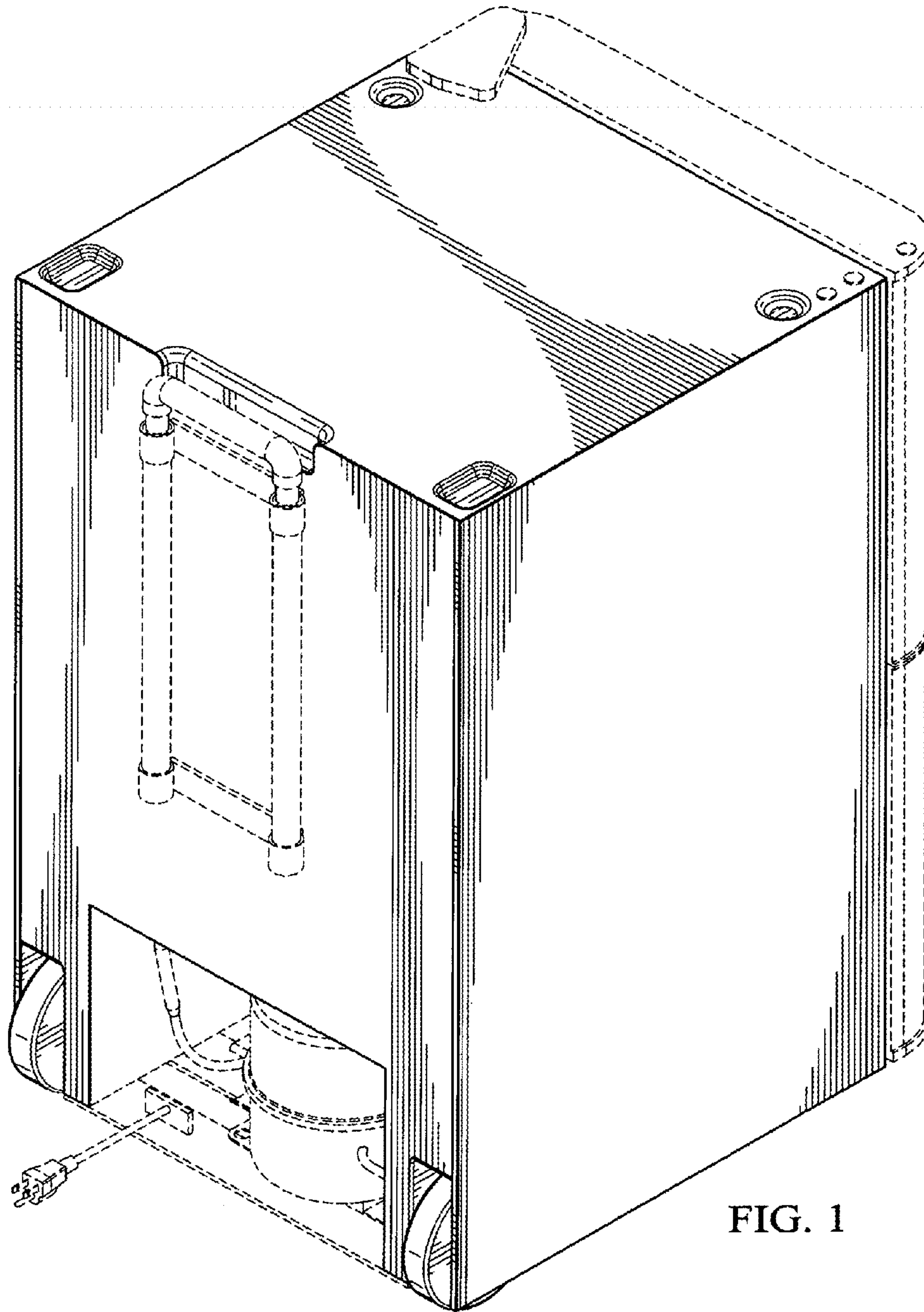


FIG. 1

FIG. 2

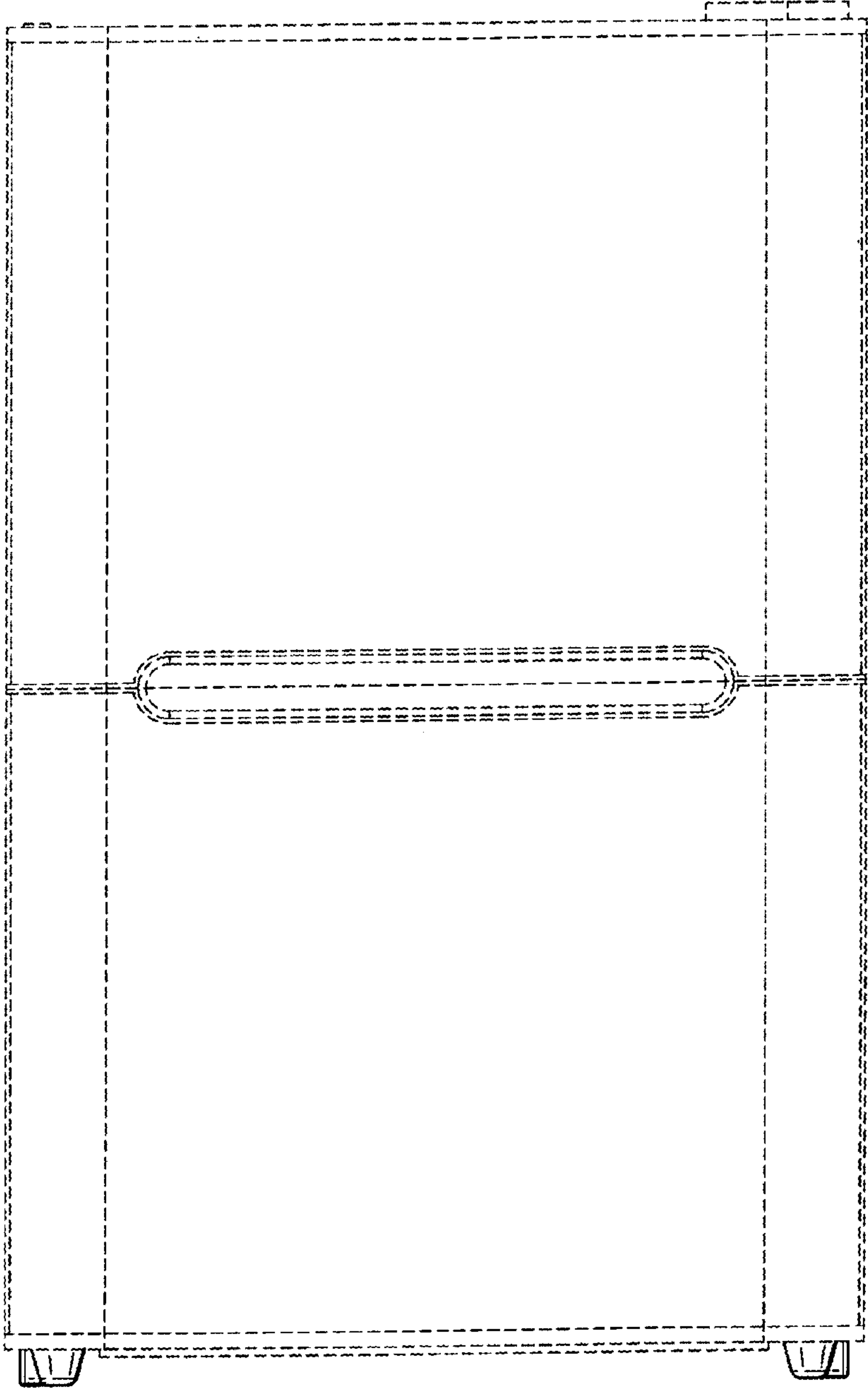




FIG. 3

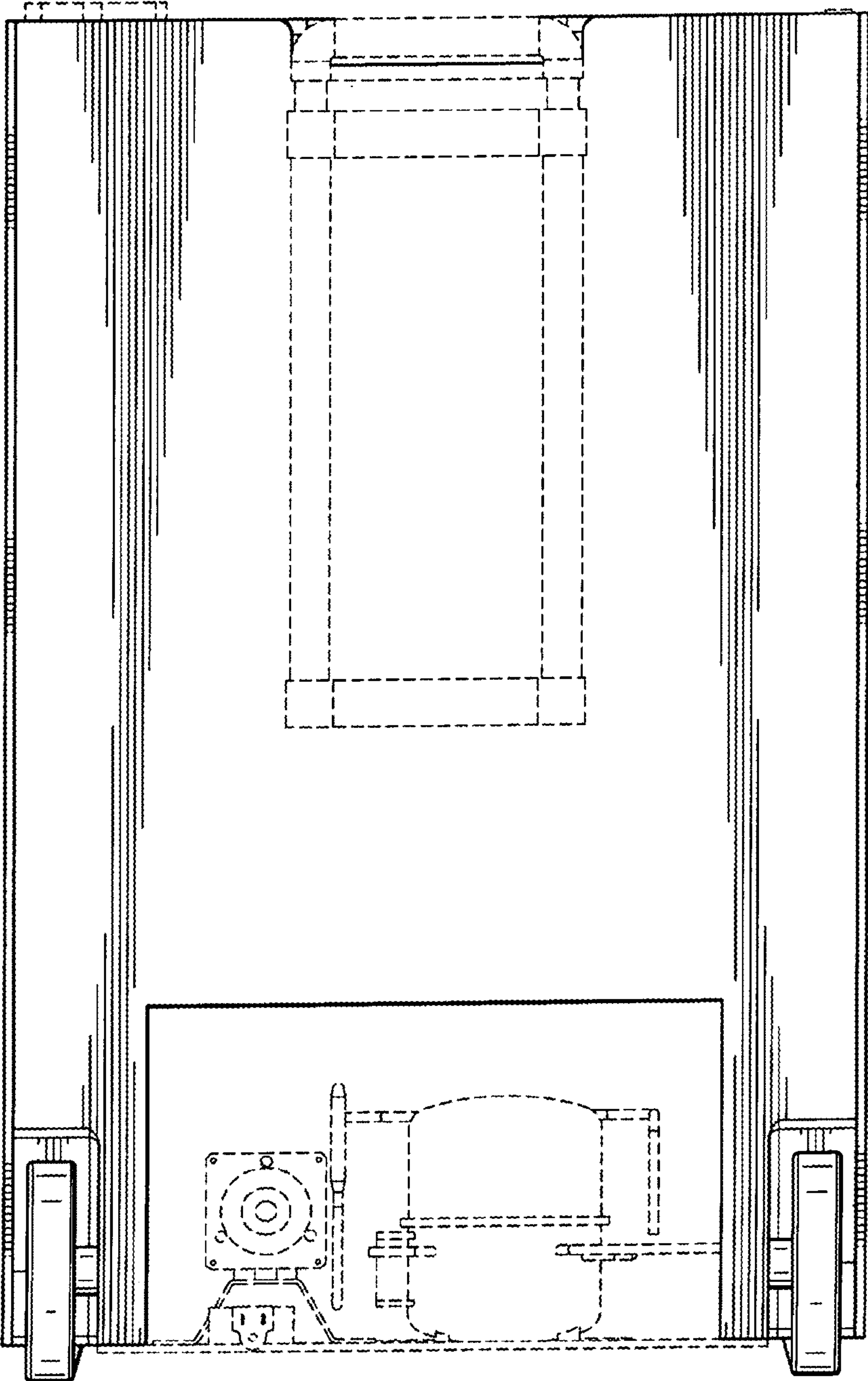
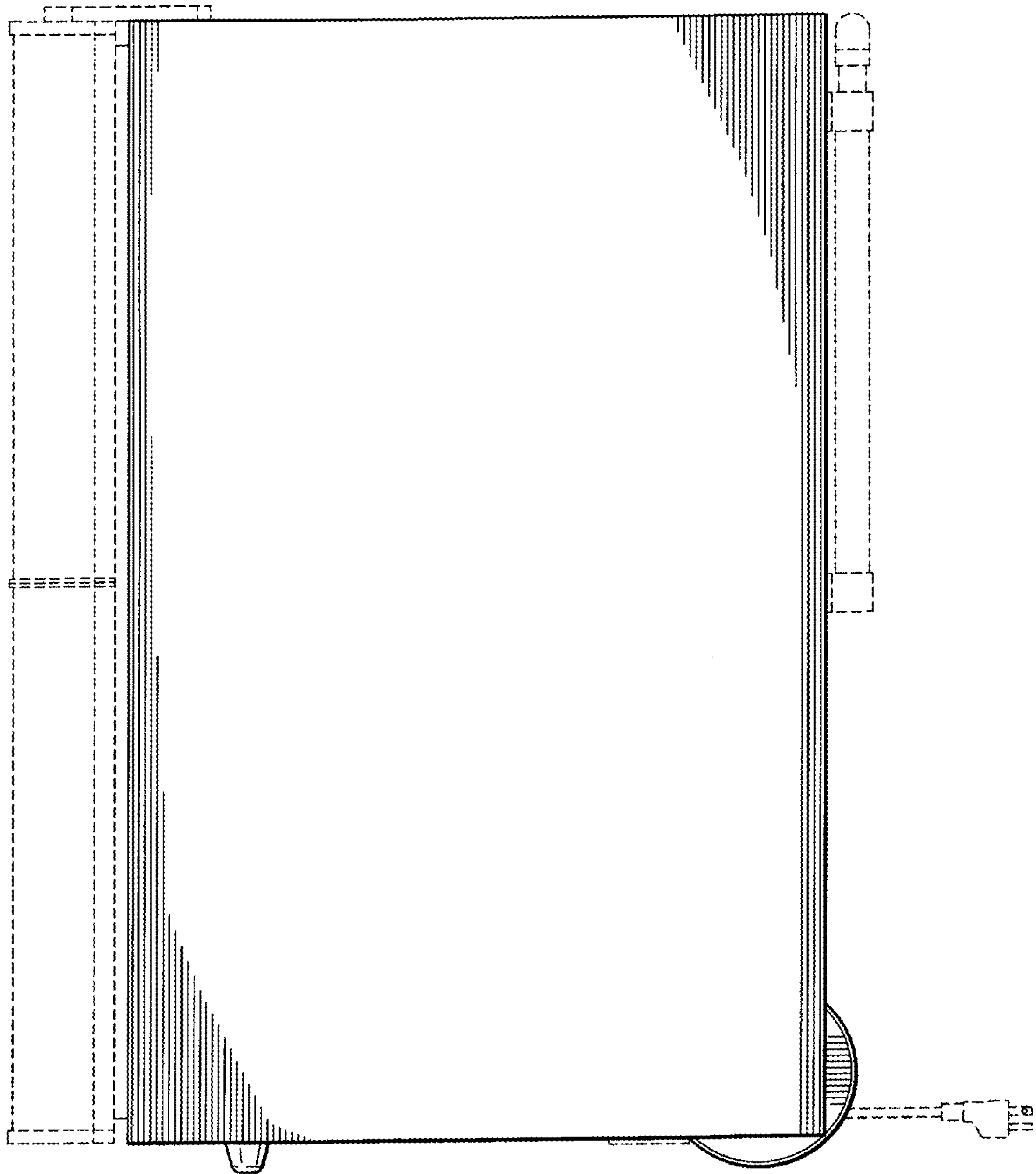


FIG. 4



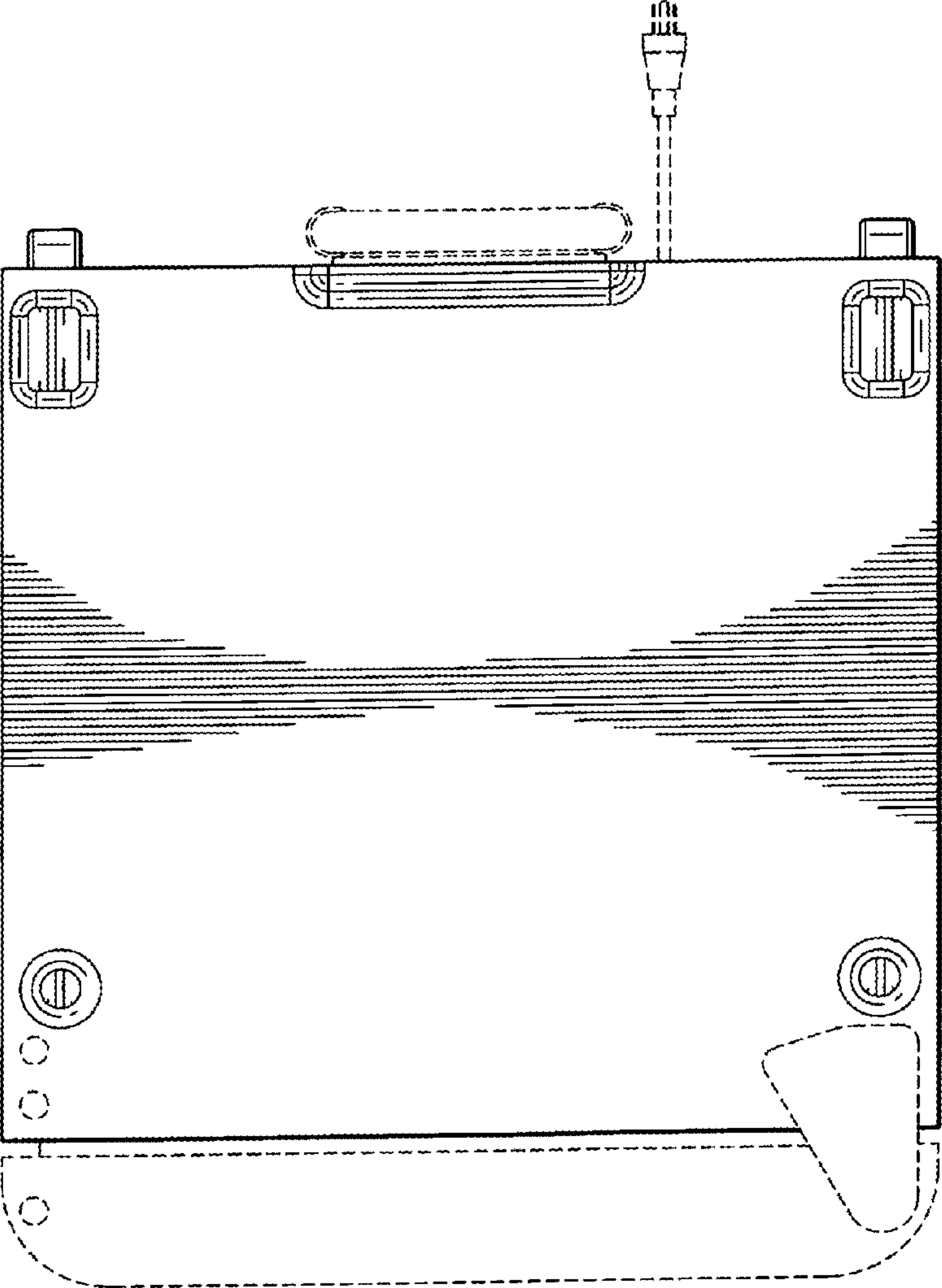
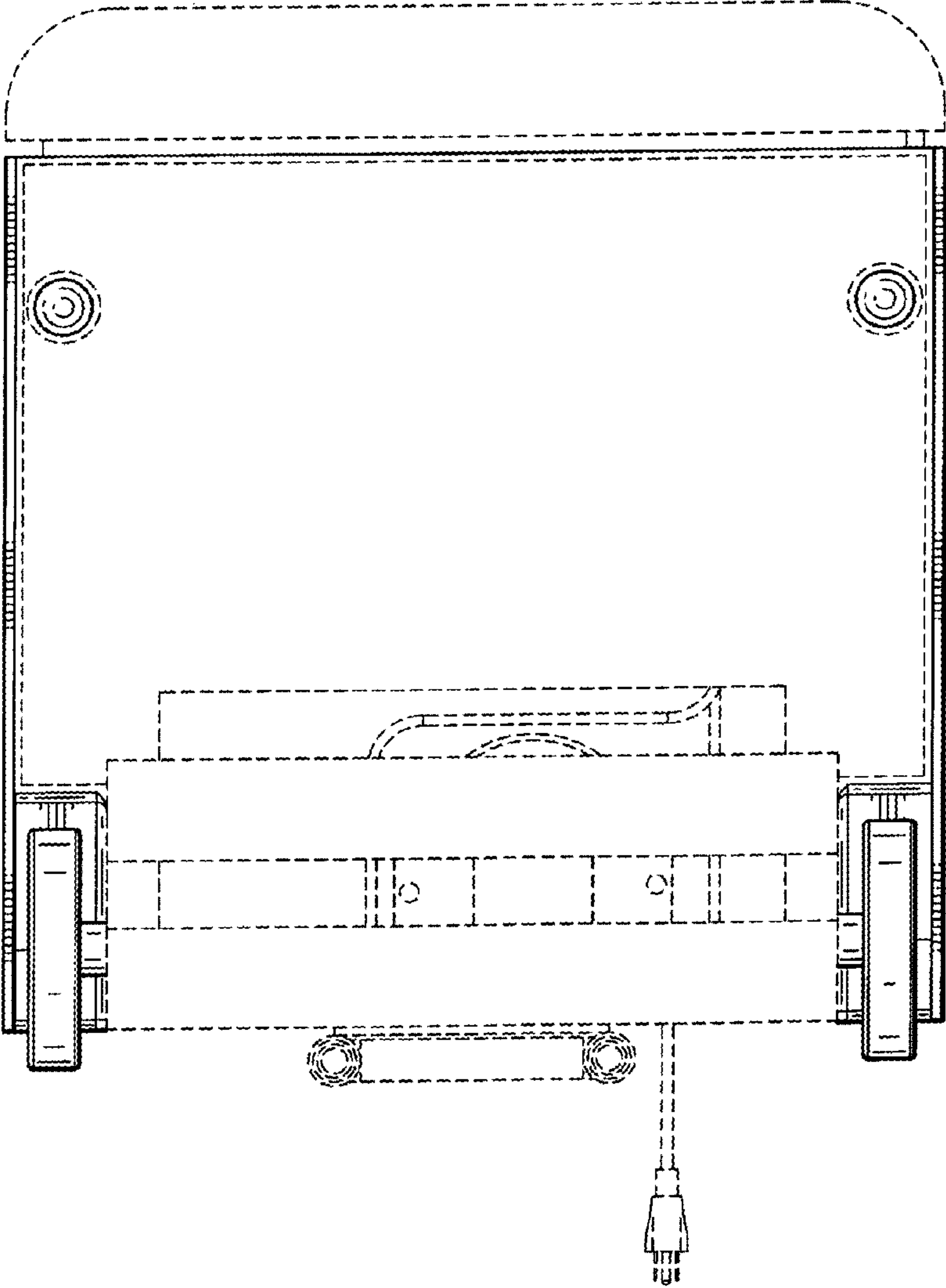


FIG. 5

FIG. 6



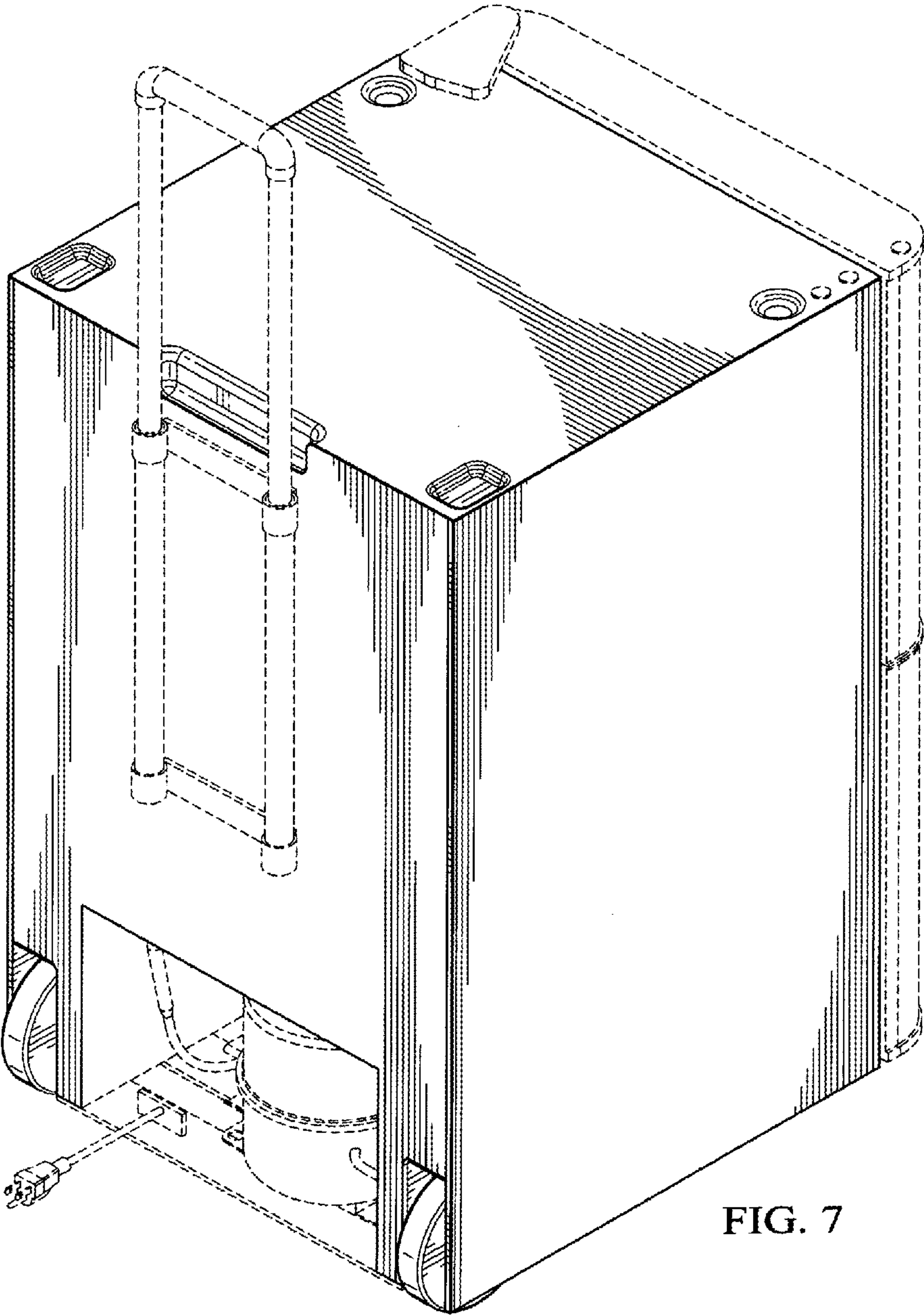


FIG. 7



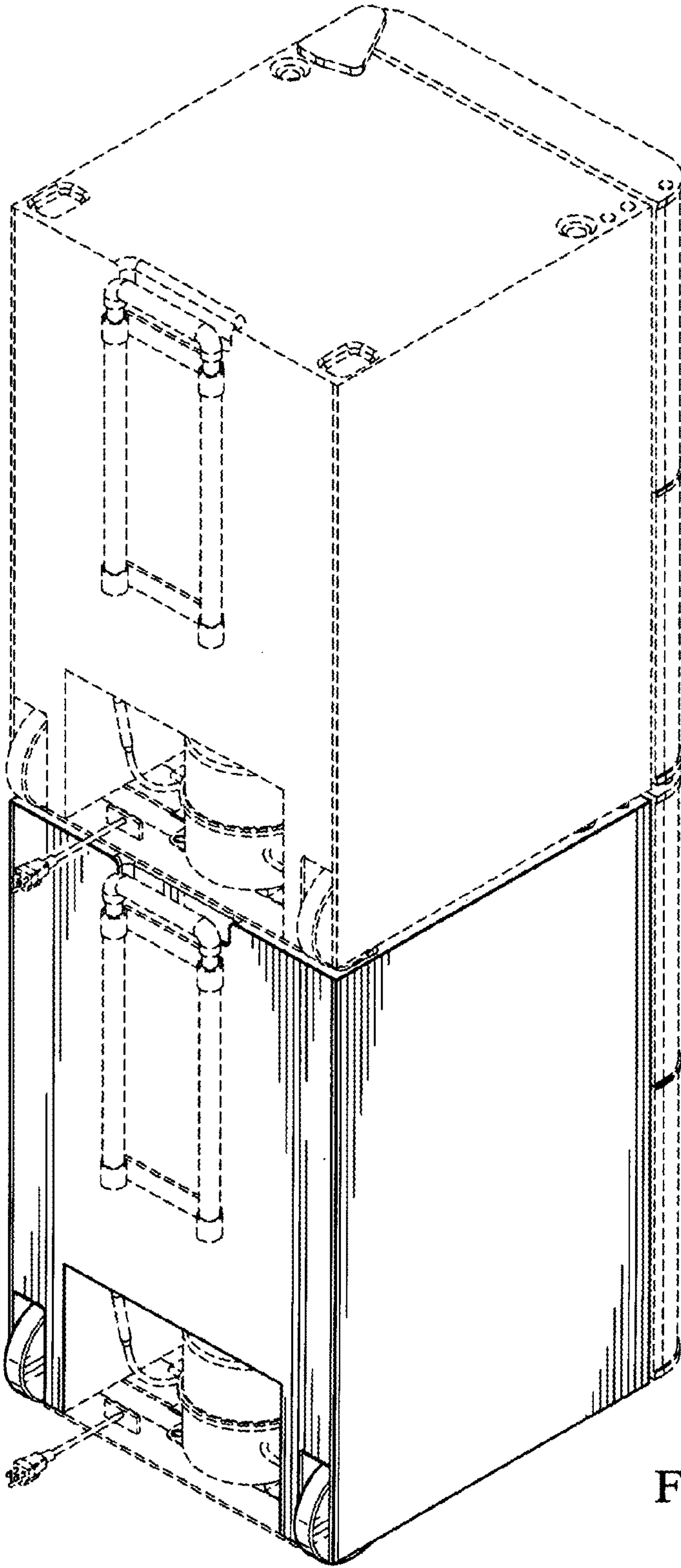


FIG. 8