



US00D744009S

(12) **United States Design Patent**
Zumdome

(10) **Patent No.:** **US D744,009 S**

(45) **Date of Patent:** **** Nov. 24, 2015**

(54) **SEED HANDLING ELEMENT**

6,178,901 B1 *	1/2001	Anderson	111/197
D437,328 S *	2/2001	Anderson	D15/28
D626,972 S *	11/2010	Hoover et al.	D15/27
D706,310 S *	6/2014	Nibbe et al.	D15/28

(71) Applicant: **Deere & Company**, Moline, IL (US)

(72) Inventor: **Lee E. Zumdome**, Bettendorf, IA (US)

* cited by examiner

(73) Assignee: **Deere & Company**, Moline, IL (US)

Primary Examiner — Cynthia Ramirez

Assistant Examiner — Gino Colan

(**) Term: **14 Years**

(74) *Attorney, Agent, or Firm* — Ingrassia, Fisher & Lorenz PC

(21) Appl. No.: **29/481,116**

(22) Filed: **Jan. 31, 2014**

(57) **CLAIM**

The ornamental design for a seed handling element, as shown and described.

(51) **LOC (10) Cl.** **15-03**

(52) **U.S. Cl.**
USPC **D15/28**

DESCRIPTION

(58) **Field of Classification Search**
 USPC D15/10-33; 111/200, 121, 174, 185,
 111/188, 170, 163, 187, 900, 127, 129, 167,
 111/62, 921, 164, 171, 197, 55, 175, 177,
 111/178, 184, 195, 78, 903, 922, 11, 135,
 111/14, 157, 193, 54, 63, 69, 904, 92, 100,
 111/118, 120, 125, 137, 140, 155, 165, 18,
 111/182, 183, 186, 192, 199, 52, 57, 60, 61,
 111/66, 8, 925, 927
 CPC A01C 7/06; A01C 15/006; A01C 7/201;
 A01C 7/081; A01C 7/04
 See application file for complete search history.

FIG. 1 is a lower, rear, right perspective view of a seed handling element showing my new design;
 FIG. 2 is a lower, rear, left perspective view thereof;
 FIG. 3 is a lower, front, right perspective view thereof;
 FIG. 4 is a rear view thereof;
 FIG. 5 is a front view thereof;
 FIG. 6 is a top plan view thereof;
 FIG. 7 is a bottom plan view thereof;
 FIG. 8 is a right side elevational view thereof; and,
 FIG. 9 is a left side elevational view thereof.

The broken line representations in the figures show unclaimed environment or boundaries, and thus form no part of the claimed design.

The nature of this product is a component, or portion thereof, used in seed planting machines, such as for facilitating the hand-off between a seed metering device and a seed delivery device.

(56) **References Cited**

U.S. PATENT DOCUMENTS

D262,372 S *	12/1981	Mitchell	D15/28
5,325,799 A *	7/1994	Rowlett	111/152
D435,566 S *	12/2000	Anderson	D15/28

1 Claim, 4 Drawing Sheets

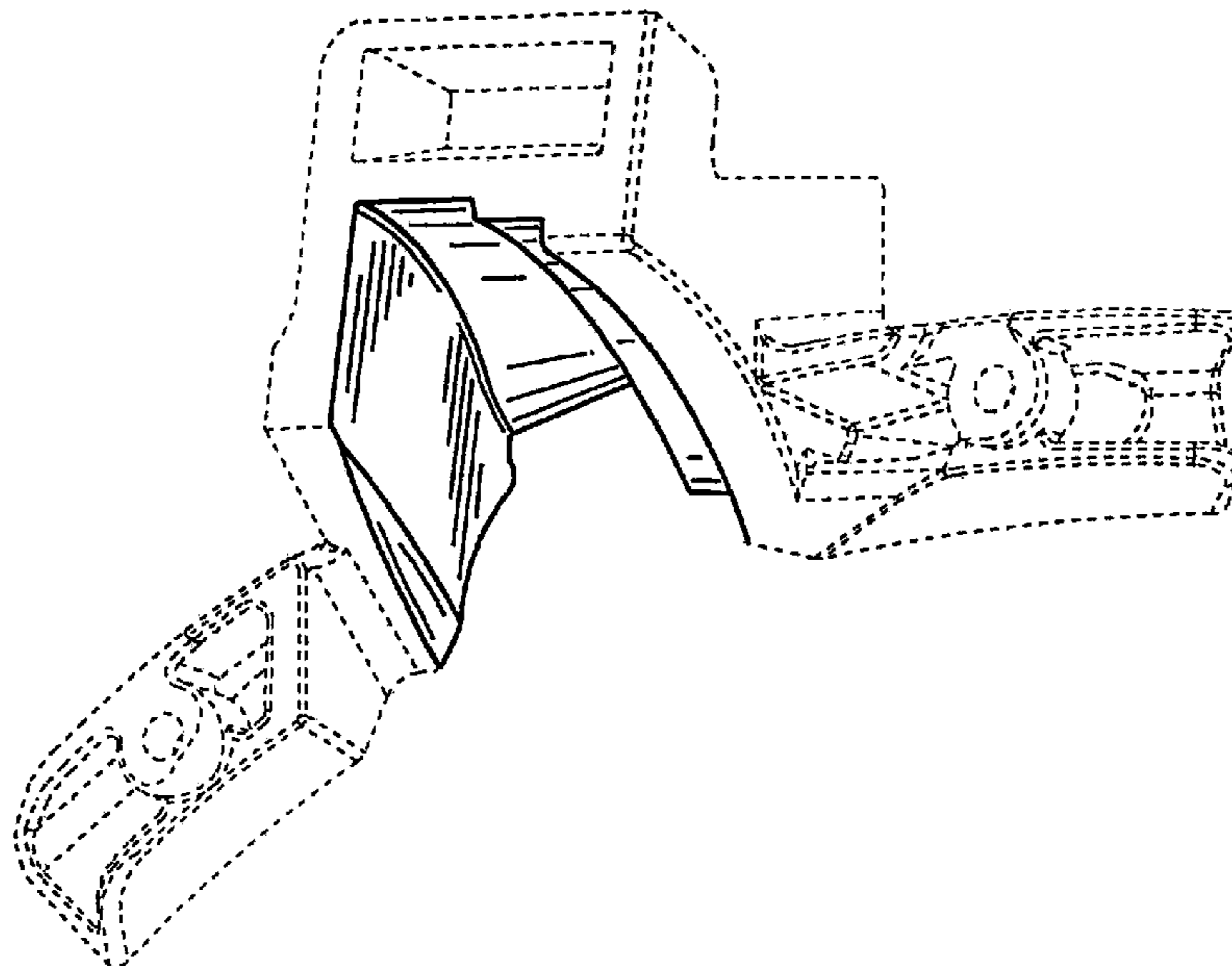


FIG. 1

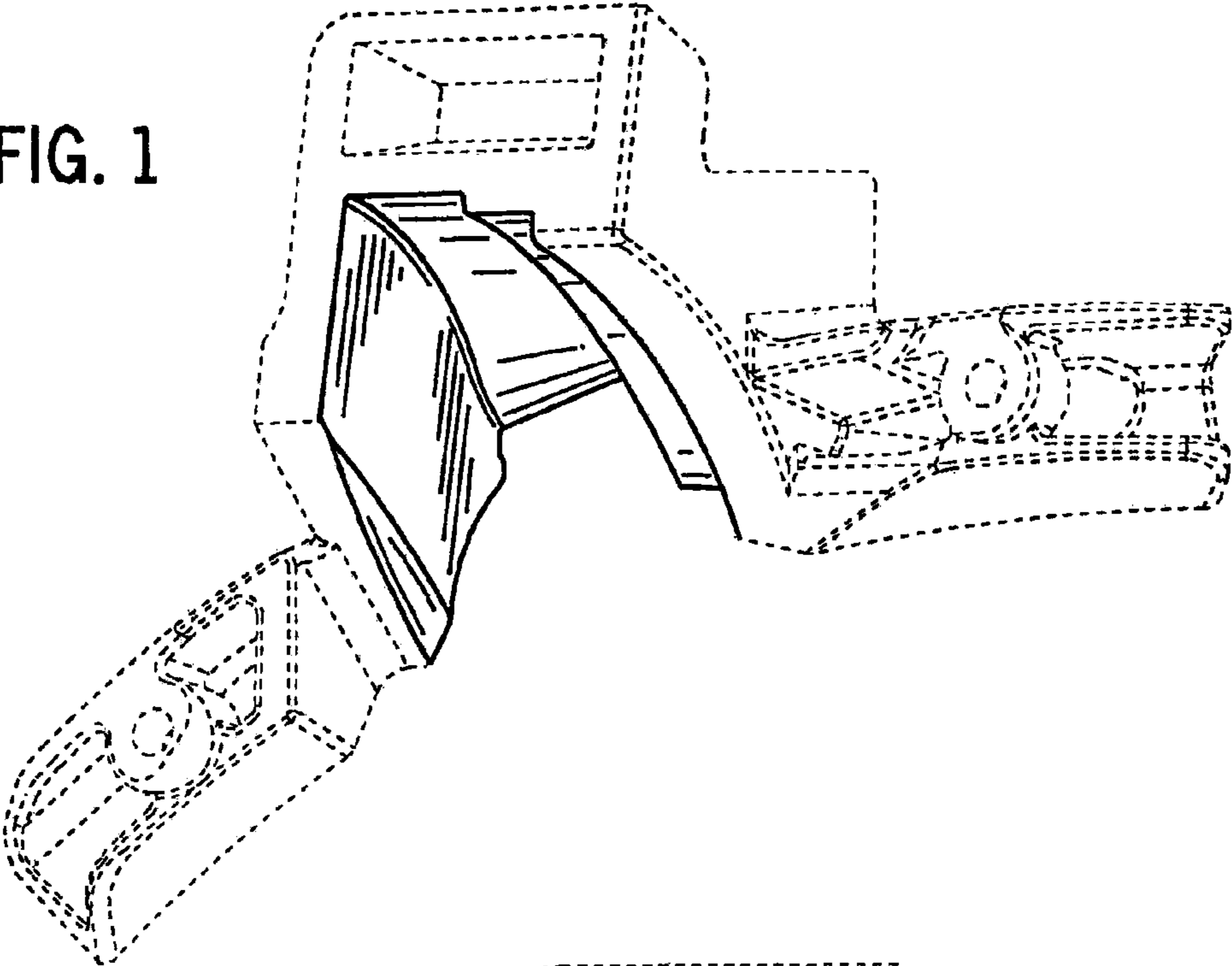


FIG. 2

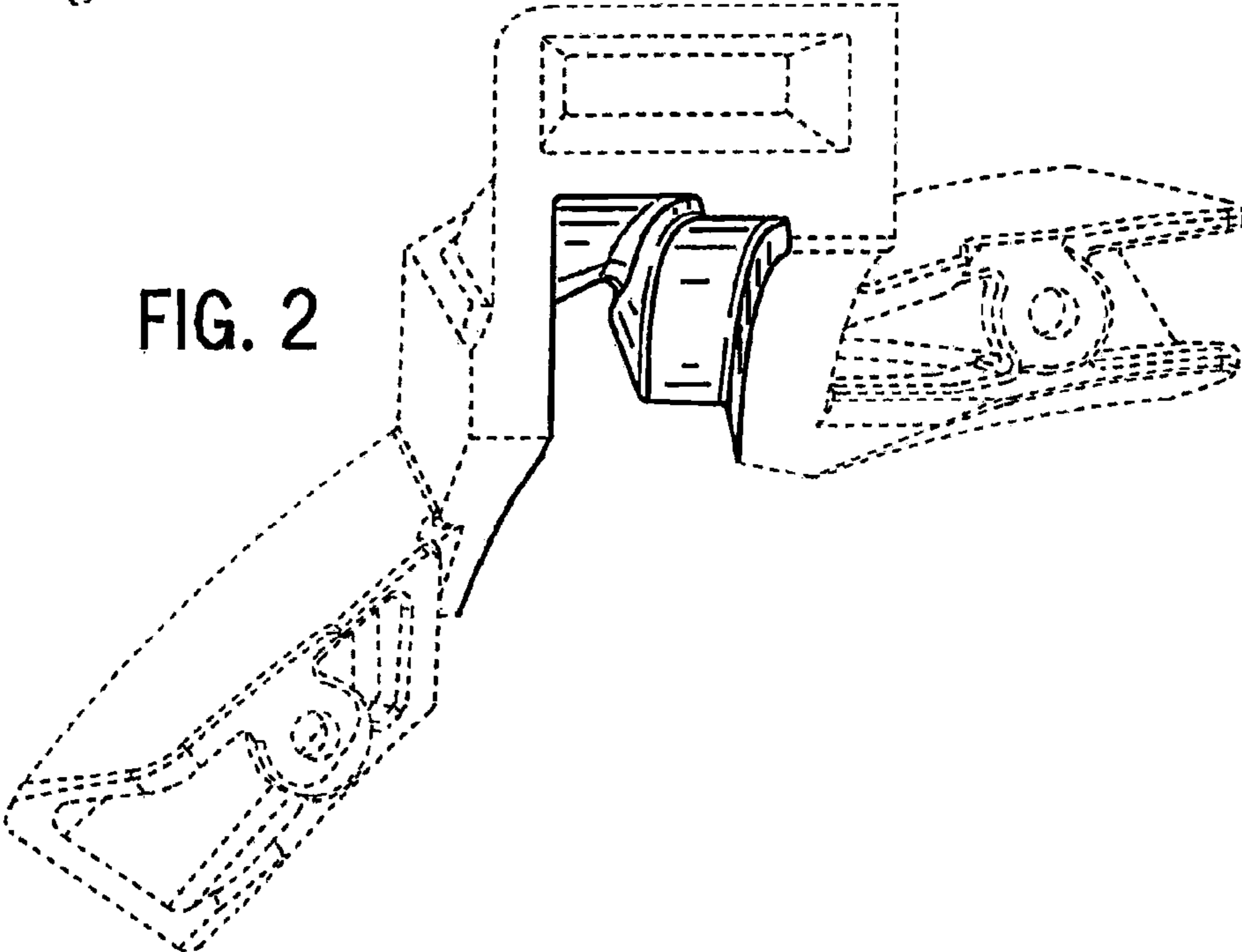


FIG. 3

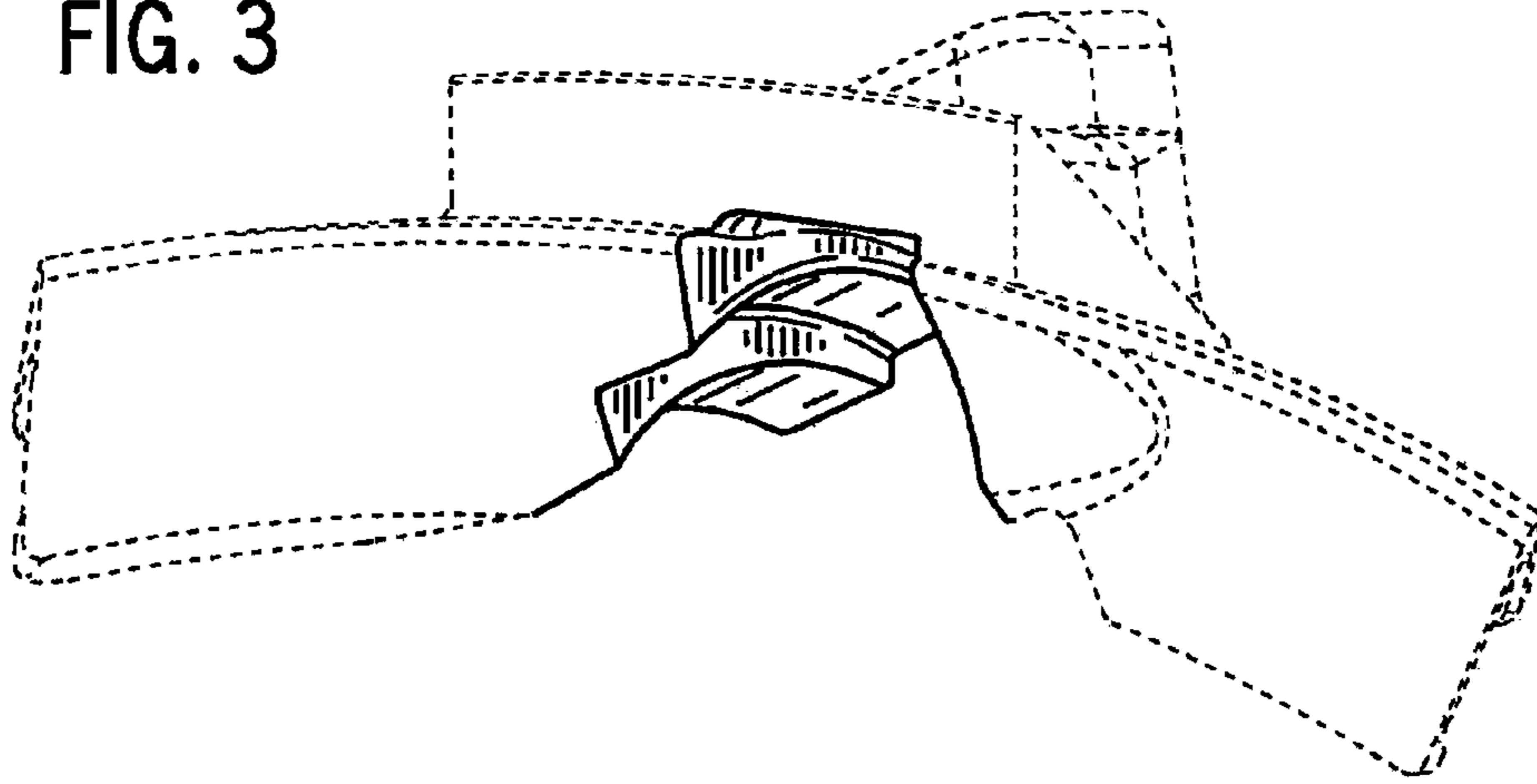
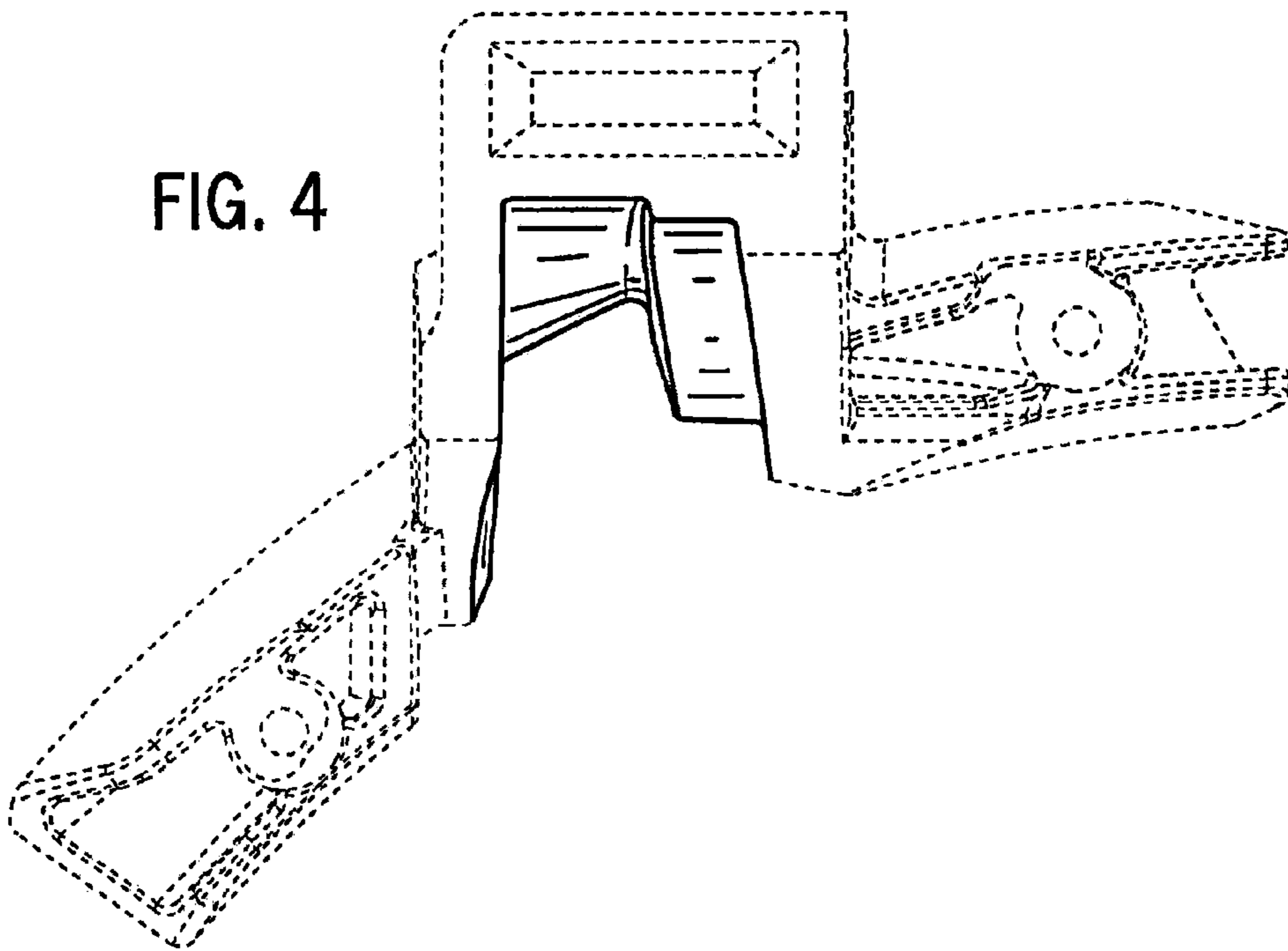


FIG. 4



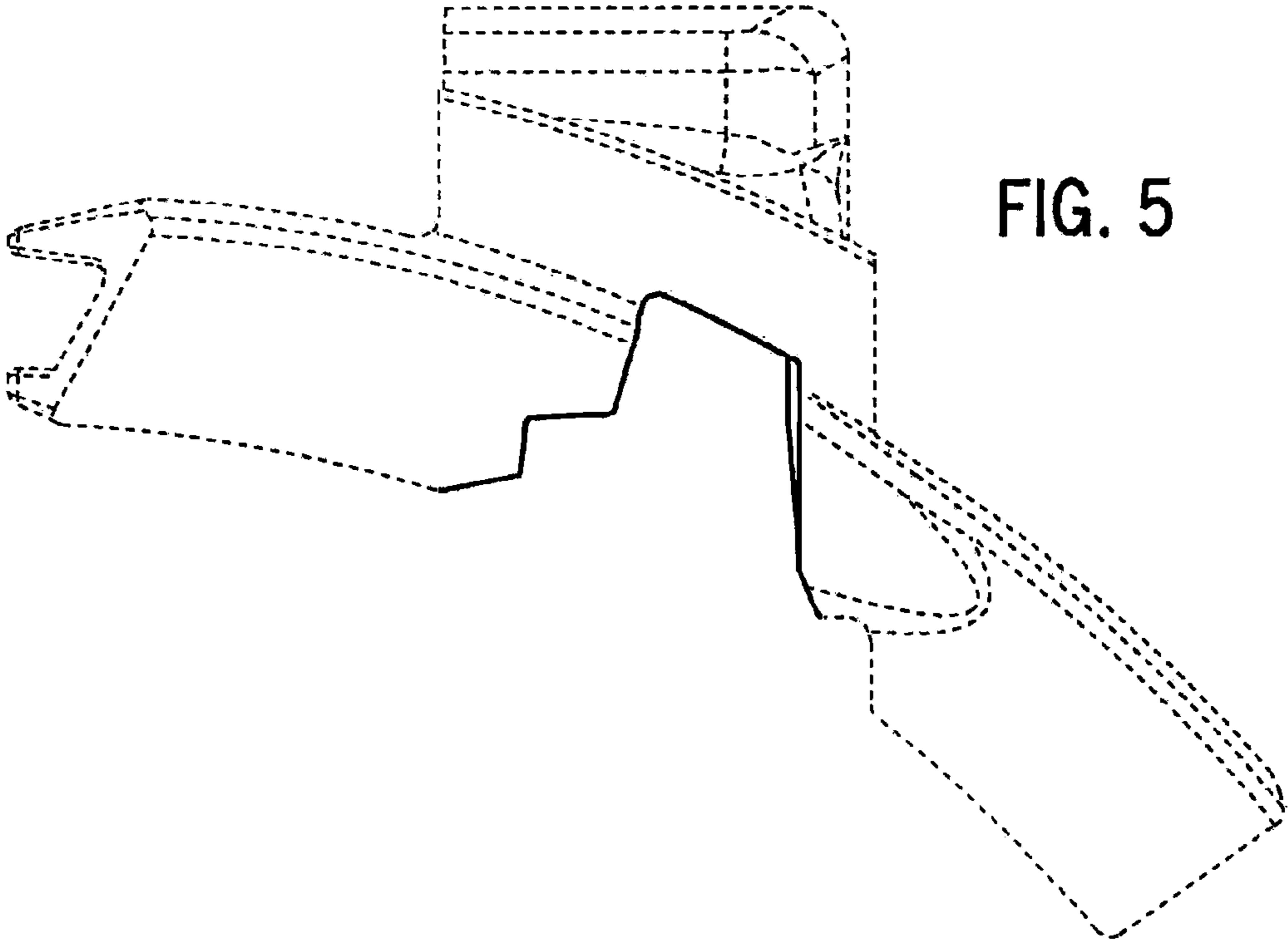


FIG. 5

FIG. 6

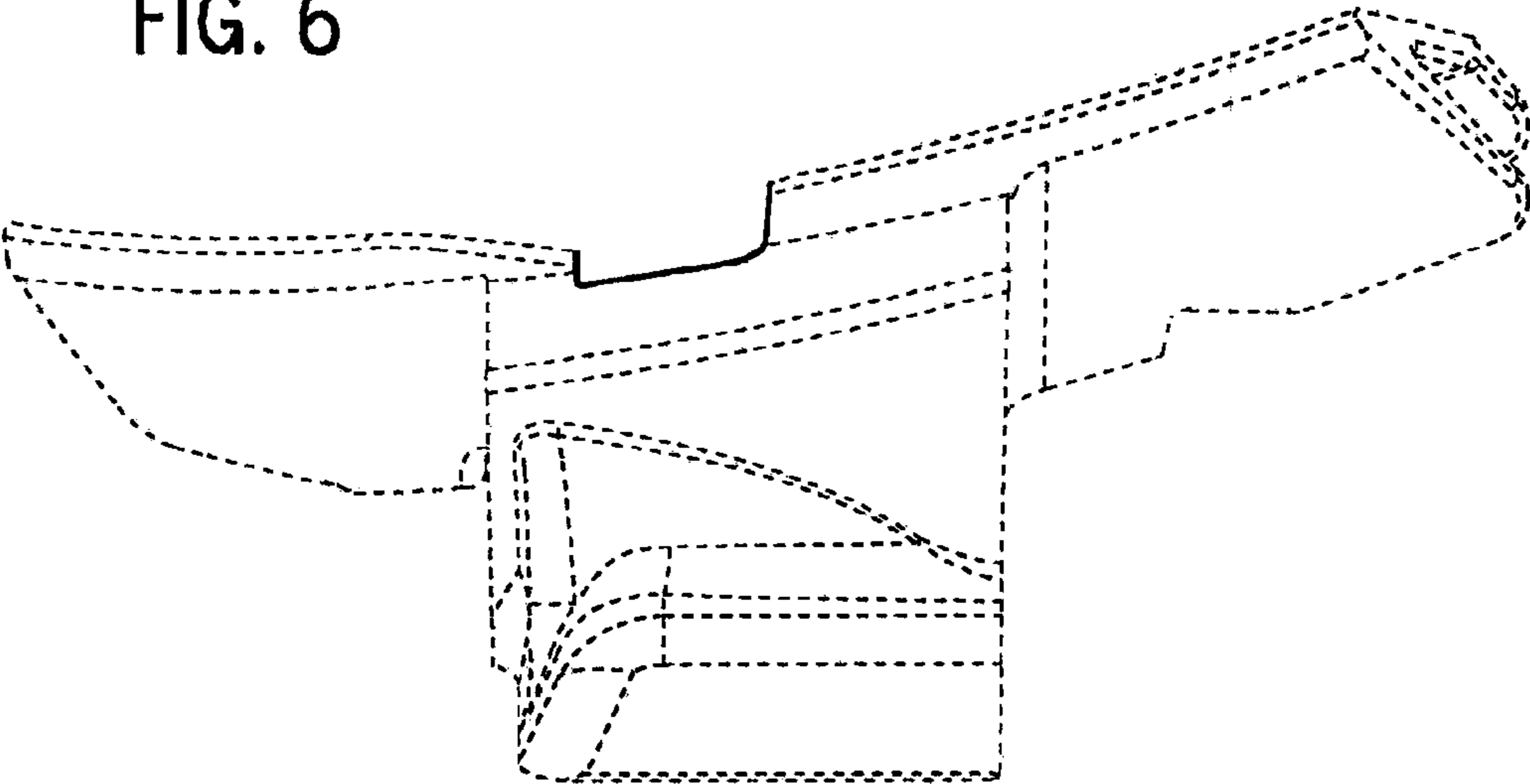


FIG. 7

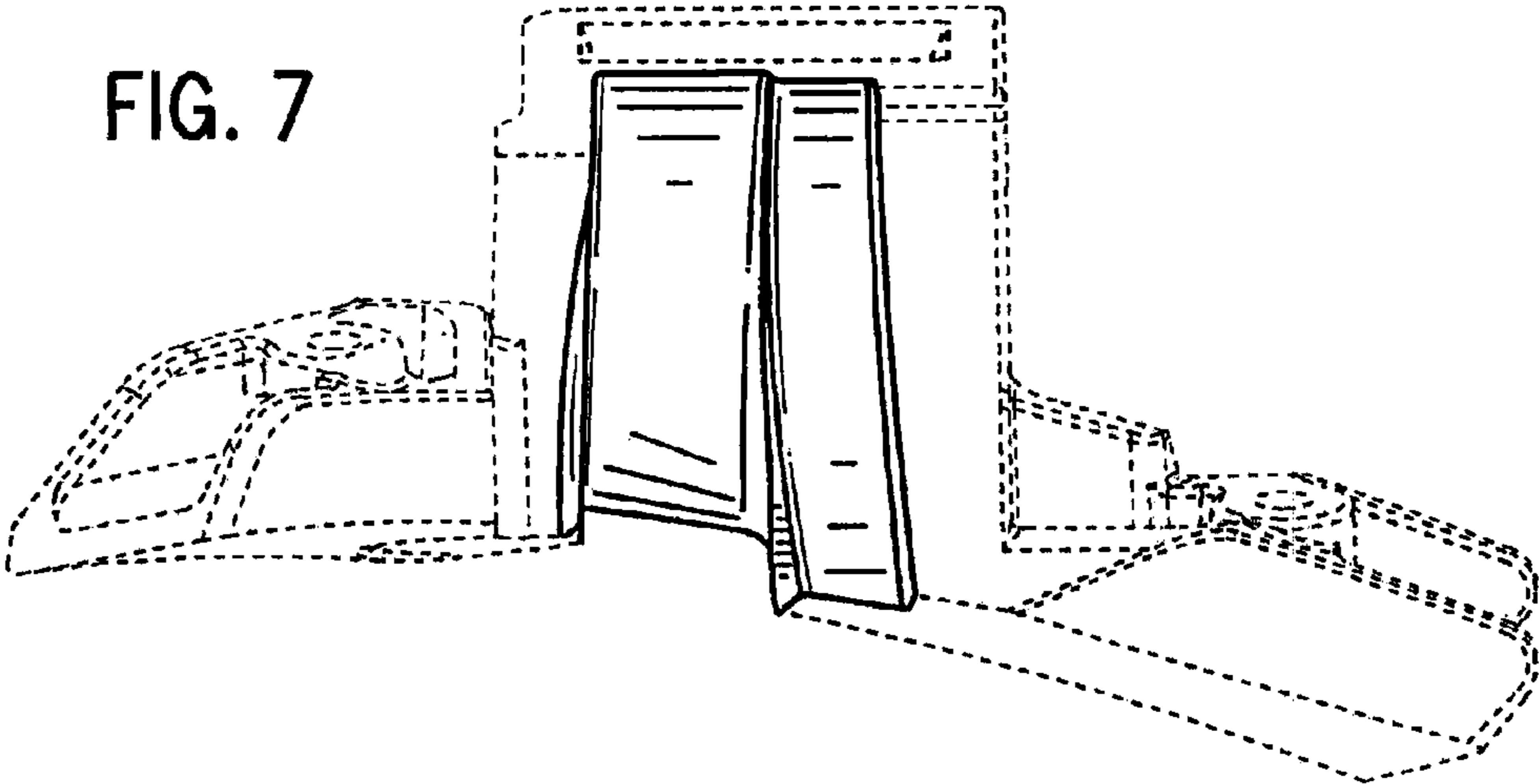


FIG. 8

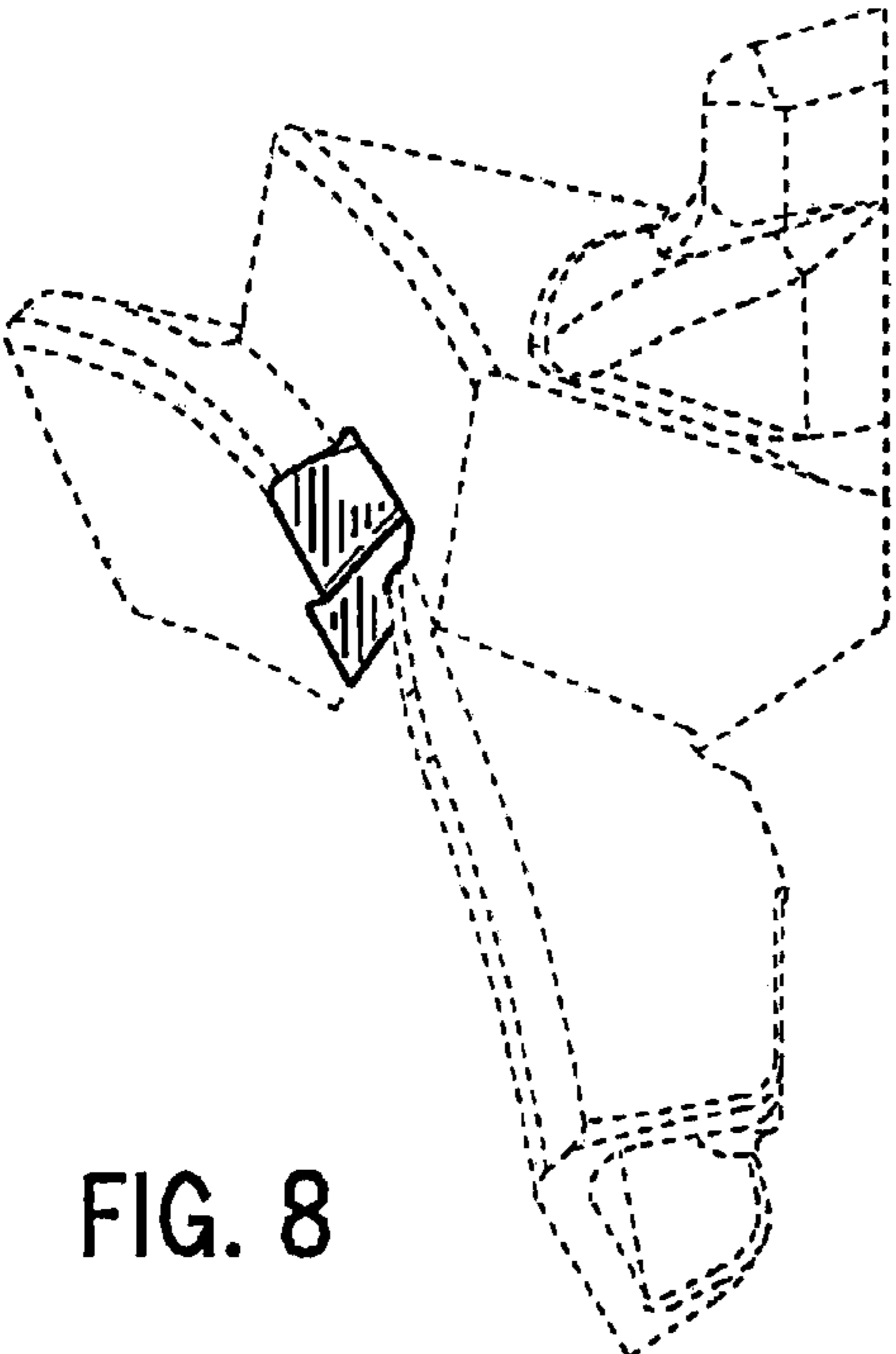


FIG. 9

